



US00D585765S

(12) **United States Design Patent**  
**Young**

(10) **Patent No.:** **US D585,765 S**

(45) **Date of Patent:** **\*\* Feb. 3, 2009**

(54) **CLOCK**

(76) Inventor: **William H. Young**, 1605 Heather Dr.,  
Downingtown, PA (US) 19335

(\*\*) Term: **14 Years**

(21) Appl. No.: **29/321,609**

(22) Filed: **Jul. 21, 2008**

(51) **LOC (9) Cl.** ..... **10-01**

(52) **U.S. Cl.** ..... **D10/6**

(58) **Field of Classification Search** ..... D10/1-29,  
D10/33, 123-126; 368/276, 285, 223, 232,  
368/228

See application file for complete search history.

(56) **References Cited**

**U.S. PATENT DOCUMENTS**

|              |        |               |       |         |
|--------------|--------|---------------|-------|---------|
| D62,452 S *  | 9/1923 | Jones         | ..... | D10/17  |
| D217,377 S * | 4/1970 | Ernest        | ..... | D10/21  |
| D220,355 S * | 3/1971 | Judson        | ..... | D10/9   |
| D259,611 S * | 6/1981 | Martin        | ..... | D6/303  |
| D274,986 S * | 8/1984 | Mermelstein   | ..... | D10/6   |
| D295,391 S * | 4/1988 | Maddox et al. | ..... | D11/133 |
| D325,349 S * | 4/1992 | Perri         | ..... | D10/6   |
| D336,249 S * | 6/1993 | Sugano        | ..... | D10/21  |
| D359,917 S * | 7/1995 | Haenni        | ..... | D10/33  |
| D392,913 S * | 3/1998 | Edwards       | ..... | D11/133 |
| D443,229 S * | 6/2001 | Olinger       | ..... | D11/133 |
| D460,379 S * | 7/2002 | Raviv         | ..... | D11/91  |

|              |         |                |       |         |
|--------------|---------|----------------|-------|---------|
| D512,811 S * | 12/2005 | Luciano et al. | ..... | D2/615  |
| D544,051 S * | 6/2007  | Takahira       | ..... | D21/707 |
| D553,014 S * | 10/2007 | Foster         | ..... | D10/6   |
| D553,015 S * | 10/2007 | Foster         | ..... | D10/6   |
| D553,016 S * | 10/2007 | Foster         | ..... | D10/6   |

\* cited by examiner

*Primary Examiner*—Lucy Lieberman

(74) *Attorney, Agent, or Firm*—Andrew L. Salvatore, Esq.

(57) **CLAIM**

The ornamental design for a clock, substantially as shown and described.

**DESCRIPTION**

FIG. 1 shows a front perspective view of my design for a clock;

FIG. 2 shows a front elevational view of my design for a clock;

FIG. 3 shows a rear elevational view of my design for a clock;

FIG. 4 is a top view thereof;

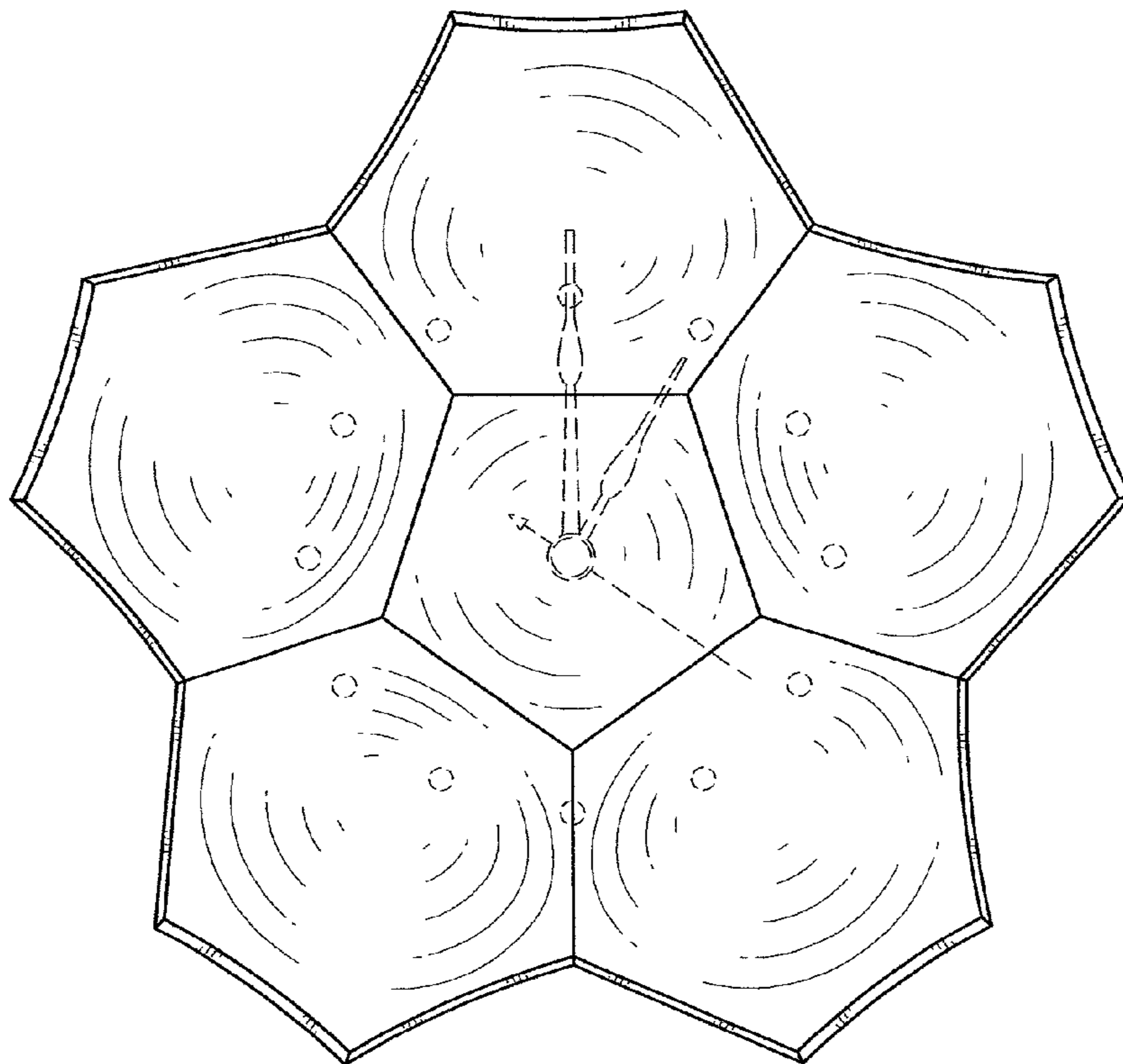
FIG. 5 is a bottom view thereof;

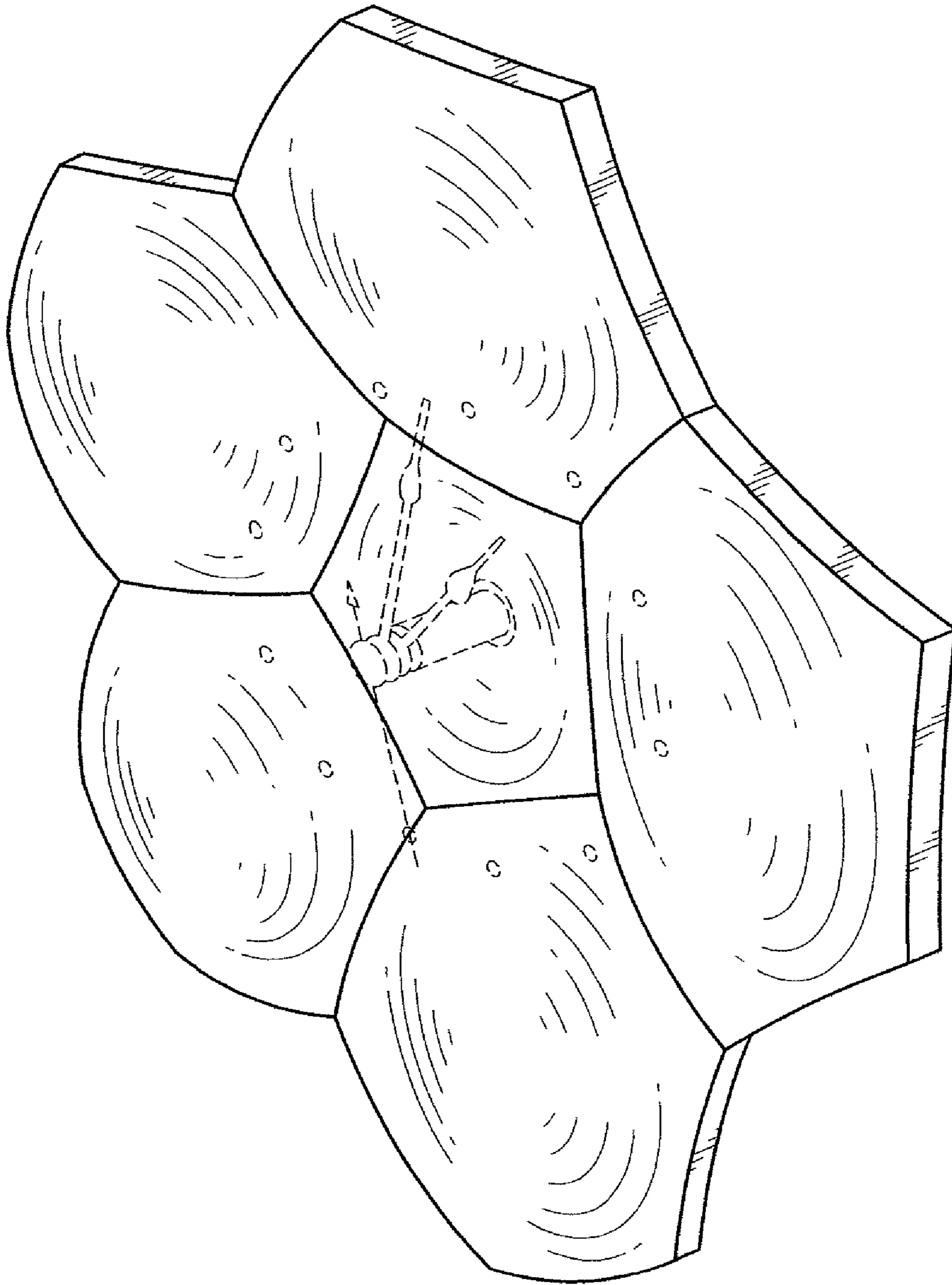
FIG. 6 is a left side view thereof; and,

FIG. 7 is a right side view thereof.

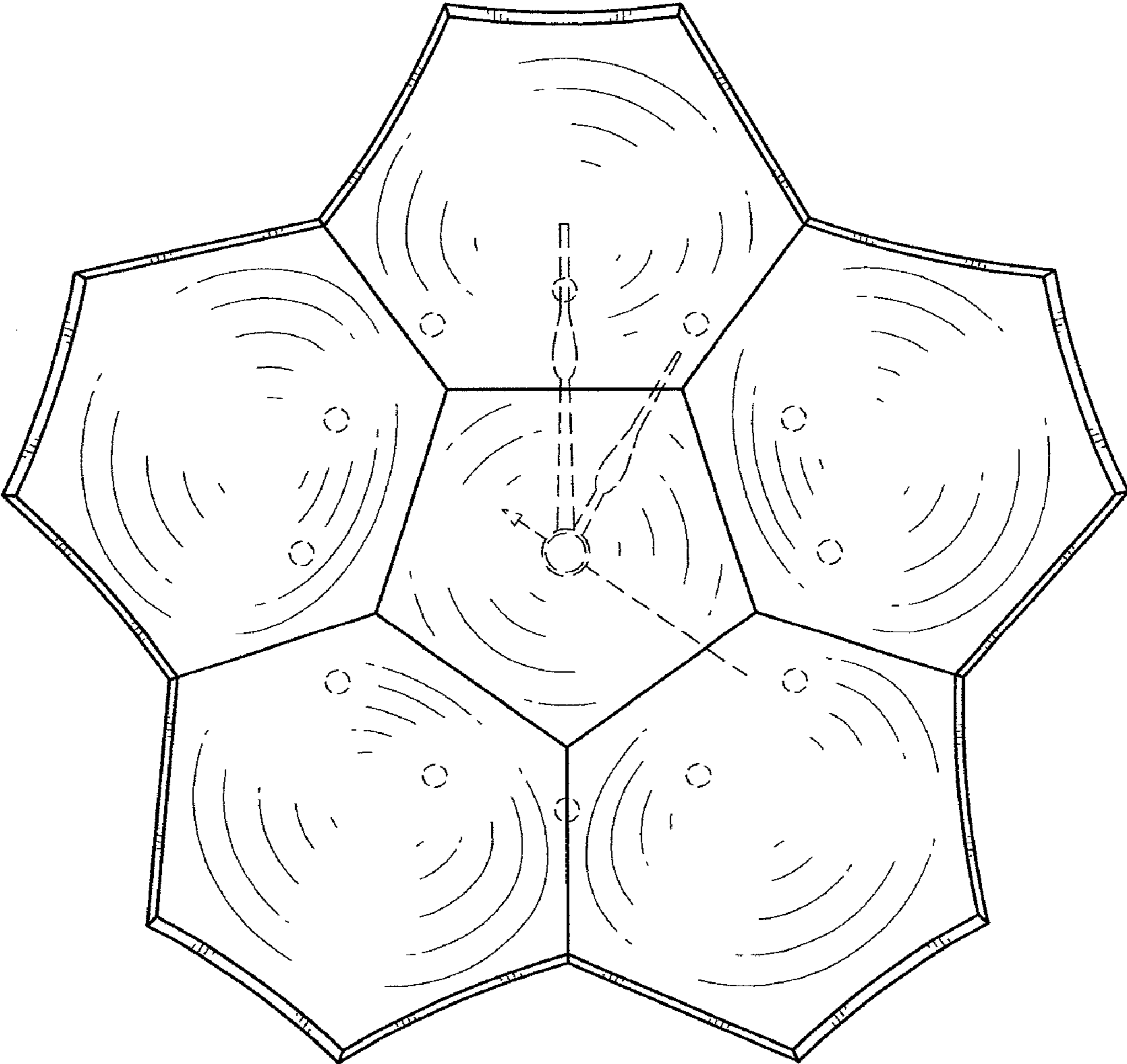
The broken lines in the drawings are for illustrative purposes only and do not form part of the claimed design.

**1 Claim, 5 Drawing Sheets**

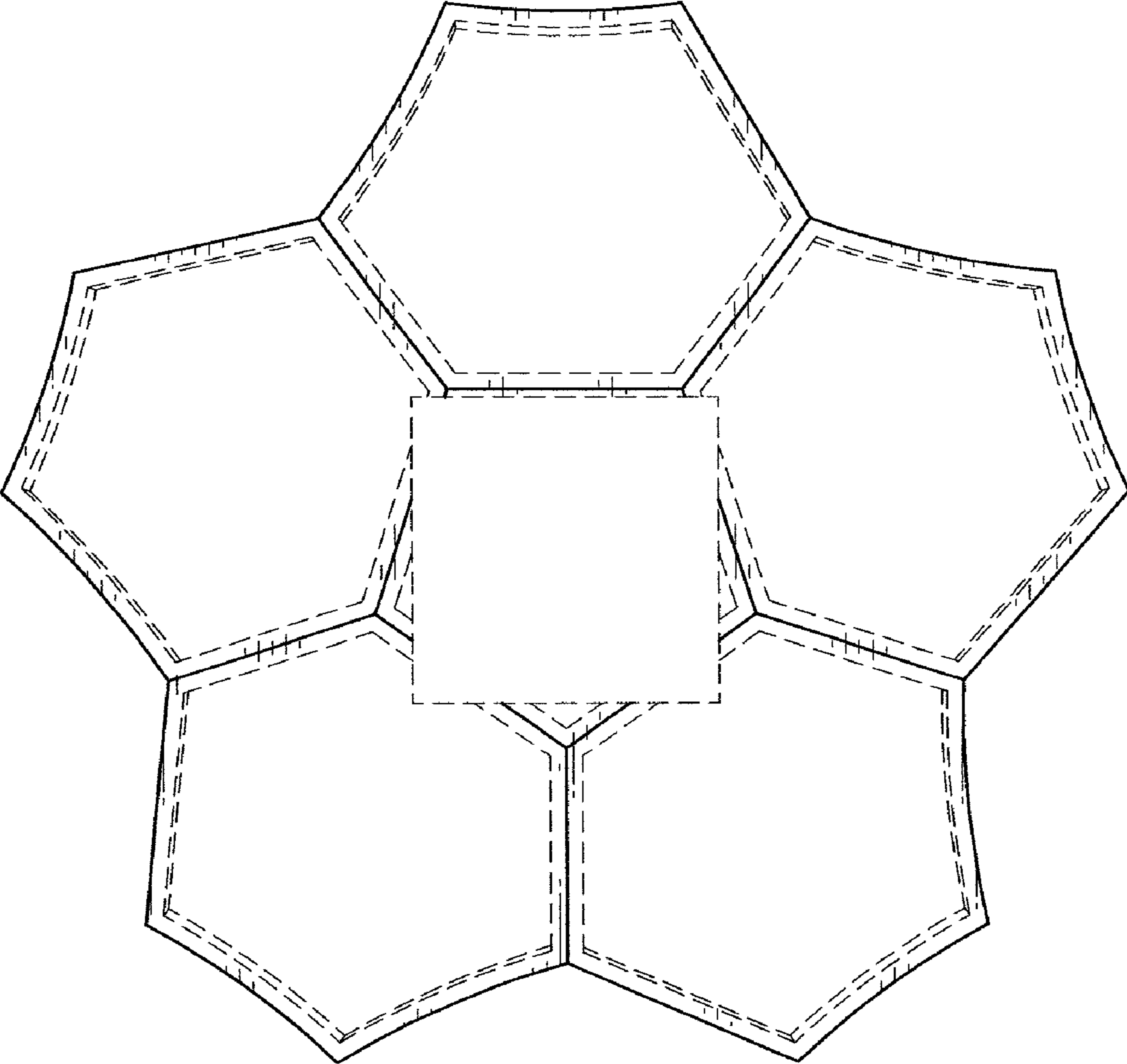




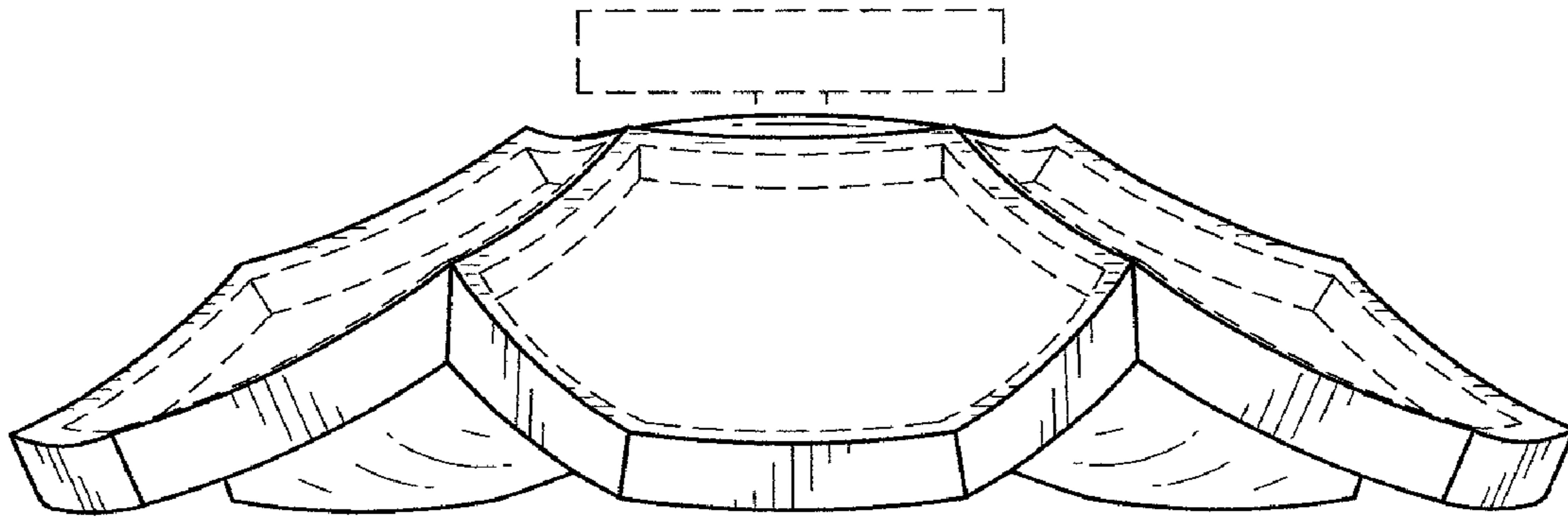
***Fig. 1***



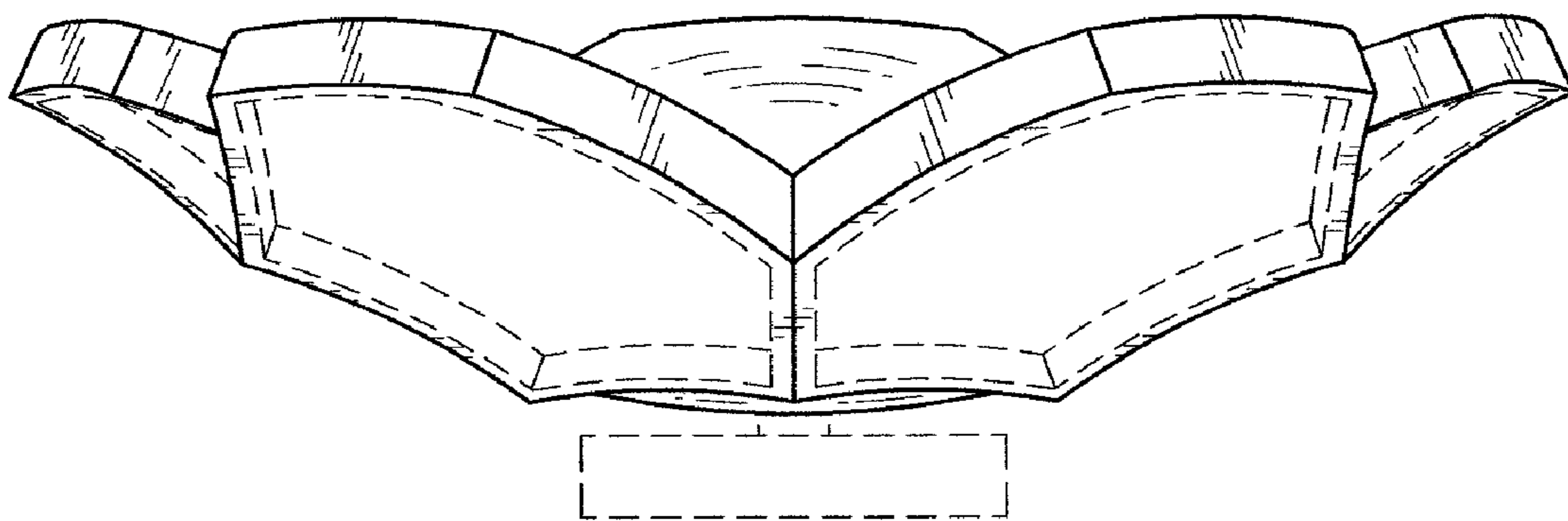
*Fig. 2*



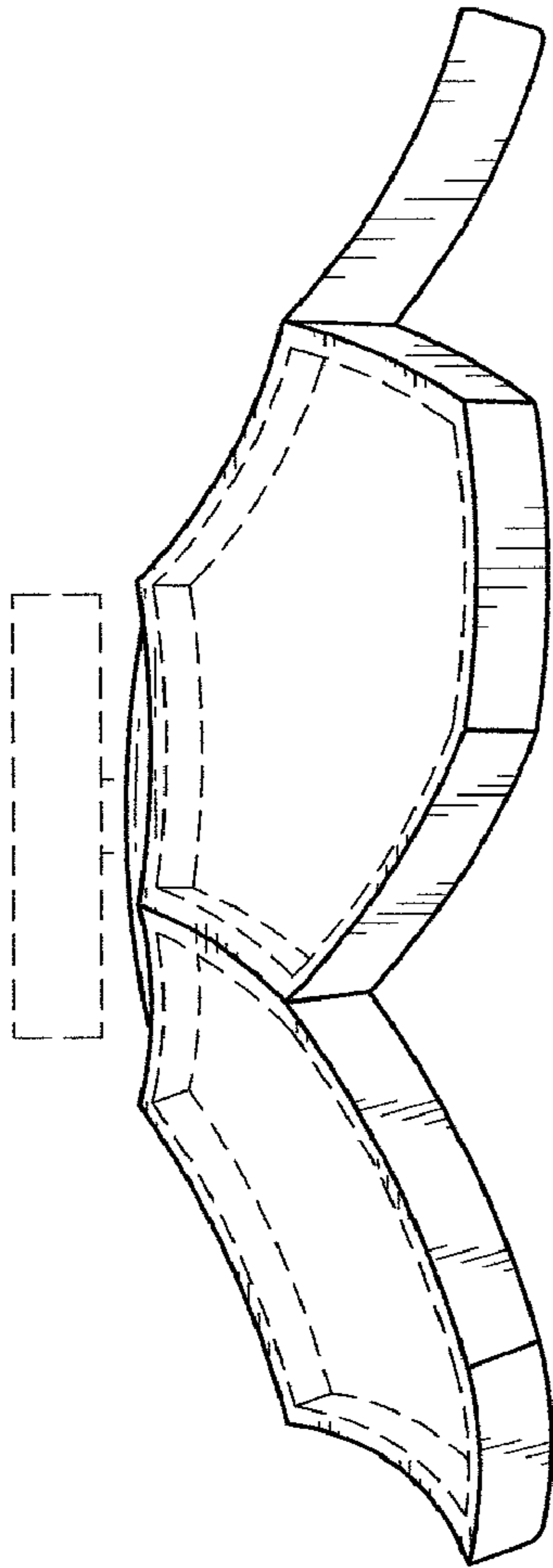
*Fig. 3*



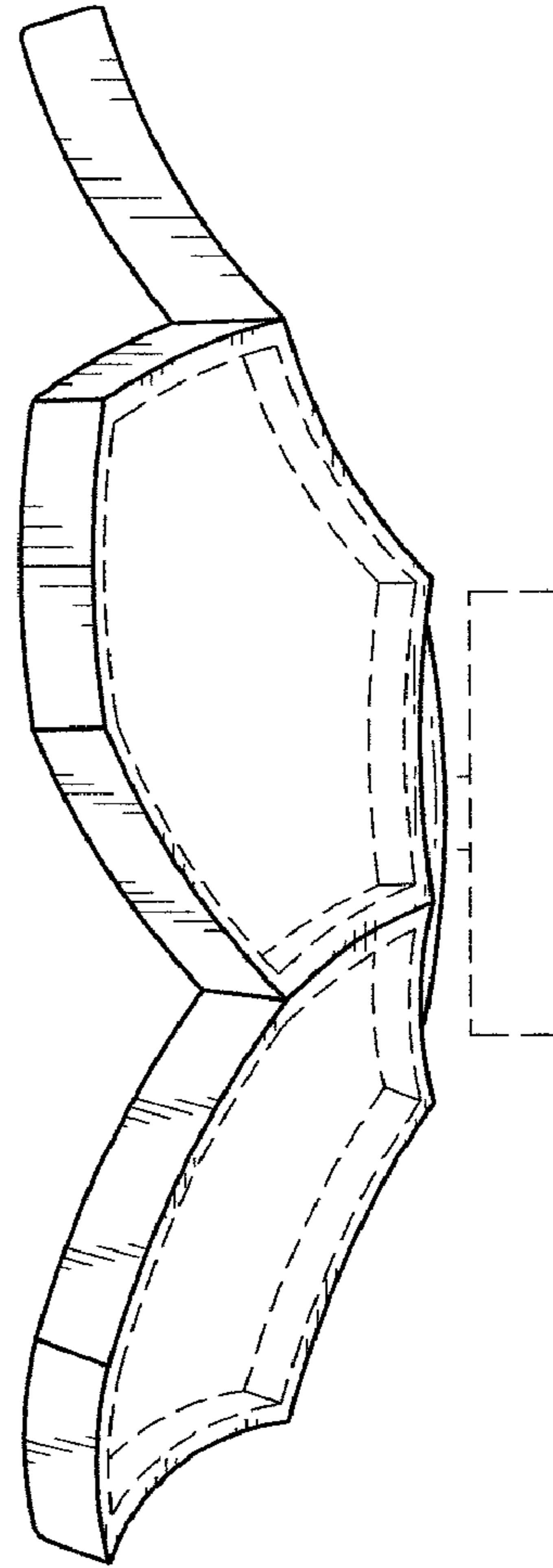
*Fig. 4*



*Fig. 5*



***Fig. 6***



***Fig. 7***