



US00D585755S

(12) **United States Design Patent**
Dodge et al.

(10) **Patent No.:** **US D585,755 S**

(45) **Date of Patent:** **** Feb. 3, 2009**

(54) **BOTTLE**

(75) Inventors: **Angela Nicole Dodge**, Hoffman Estates, IL (US); **Christopher Edward Kaminski**, Northfield Center, OH (US); **Abby Rose Herstich**, Orlando, FL (US); **J. Steven Little**, Wadsworth, OH (US)

(73) Assignee: **Kraft Foods Global Brands LLC**, Northfield, IL (US)

(**) Term: **14 Years**

(21) Appl. No.: **29/284,042**

(22) Filed: **Aug. 29, 2007**

(51) **LOC (9) Cl.** **09-01**

(52) **U.S. Cl.** **D9/563; D9/571; D9/574**

(58) **Field of Classification Search** D9/516,
D9/530, 537, 539, 542, 563, 571, 574; 215/381-385
See application file for complete search history.

(56) **References Cited**

U.S. PATENT DOCUMENTS

D56,110 S *	8/1920	Weller	D9/542
3,403,804 A	10/1968	Colombo		
3,474,936 A	10/1969	McDonnell		
D256,990 S	9/1980	Strand		
D257,828 S *	1/1981	Strand et al.	D9/563
D296,669 S *	7/1988	Neu	D9/571
D310,964 S *	10/1990	Weckman	D9/542
D333,984 S *	3/1993	Maginnis, Jr.	D9/569
D333,986 S *	3/1993	Maginnis, Jr.	D9/569
D334,714 S *	4/1993	Maginnis, Jr.	D9/569
D352,461 S *	11/1994	Flanagan et al.	D9/542
D365,752 S	1/1996	Flanagan-Boos et al.		
D375,900 S *	11/1996	DeVore	D9/563
D384,890 S *	10/1997	Goldman	D9/520

D405,000 S	2/1999	Mikol et al.		
D419,887 S	2/2000	Dugan		
D425,409 S	5/2000	Gilliam		
D428,344 S	7/2000	Preston		
D428,576 S	7/2000	Walker		
D446,128 S *	8/2001	Adee et al.	D9/563
D450,596 S	11/2001	Adee et al.		
D471,462 S	3/2003	May et al.		
D517,866 S	3/2006	Burks		
D529,392 S	10/2006	Little		
D531,513 S	11/2006	Brooks		
D535,889 S	1/2007	Kaminski et al.		
D555,500 S *	11/2007	Johnston et al.	D9/563
D568,164 S *	5/2008	Dodge et al.	D9/544

* cited by examiner

Primary Examiner—Stella M Reid

Assistant Examiner—Elizabeth J Oswecki

(74) *Attorney, Agent, or Firm*—Fitch, Even, Tabin & Flannery

(57) **CLAIM**

The ornamental design for a bottle, as shown and described.

DESCRIPTION

FIG. 1 is a perspective view of a bottle showing our new design;

FIG. 2 is a right side elevation view thereof with the left side elevation view being a mirror image thereof;

FIG. 3 is a front elevation view thereof with the rear elevation view being a mirror image thereof; and,

FIG. 4 is a top plan view thereof.

Portions of the bottle shown in broken lines in the figures are for illustrative purposes only and form no part of the claimed design.

1 Claim, 3 Drawing Sheets

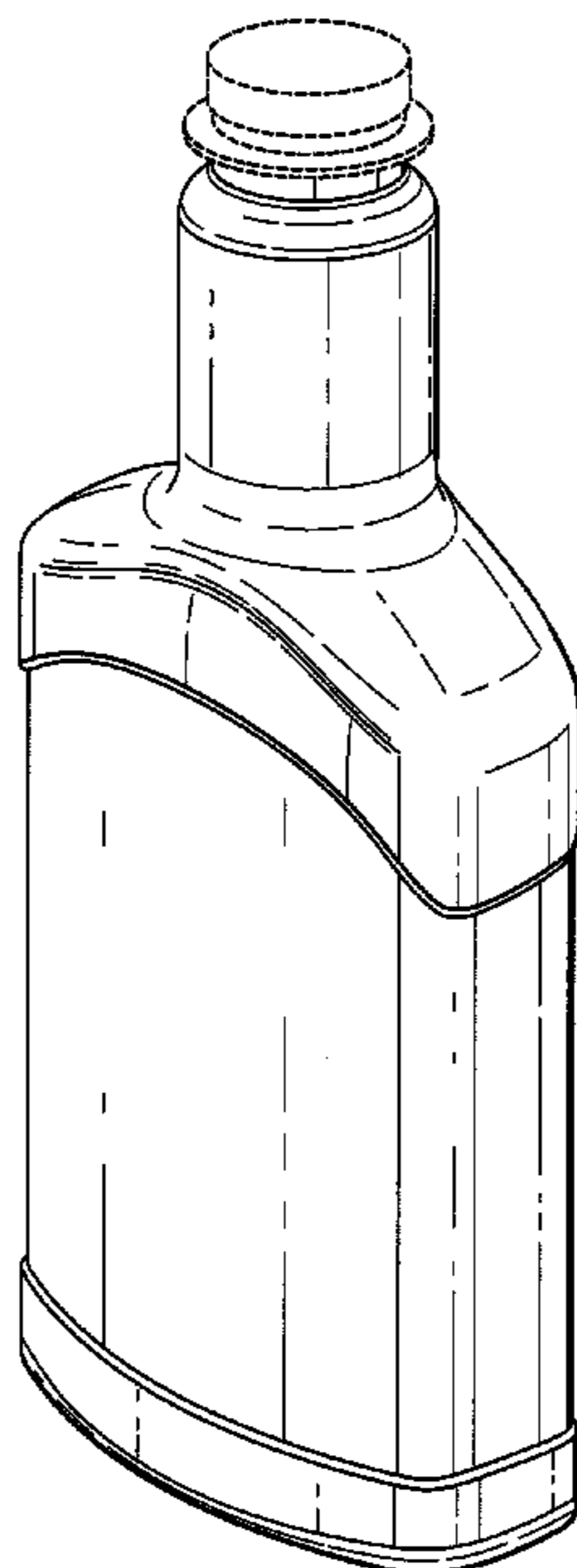


Fig. 1

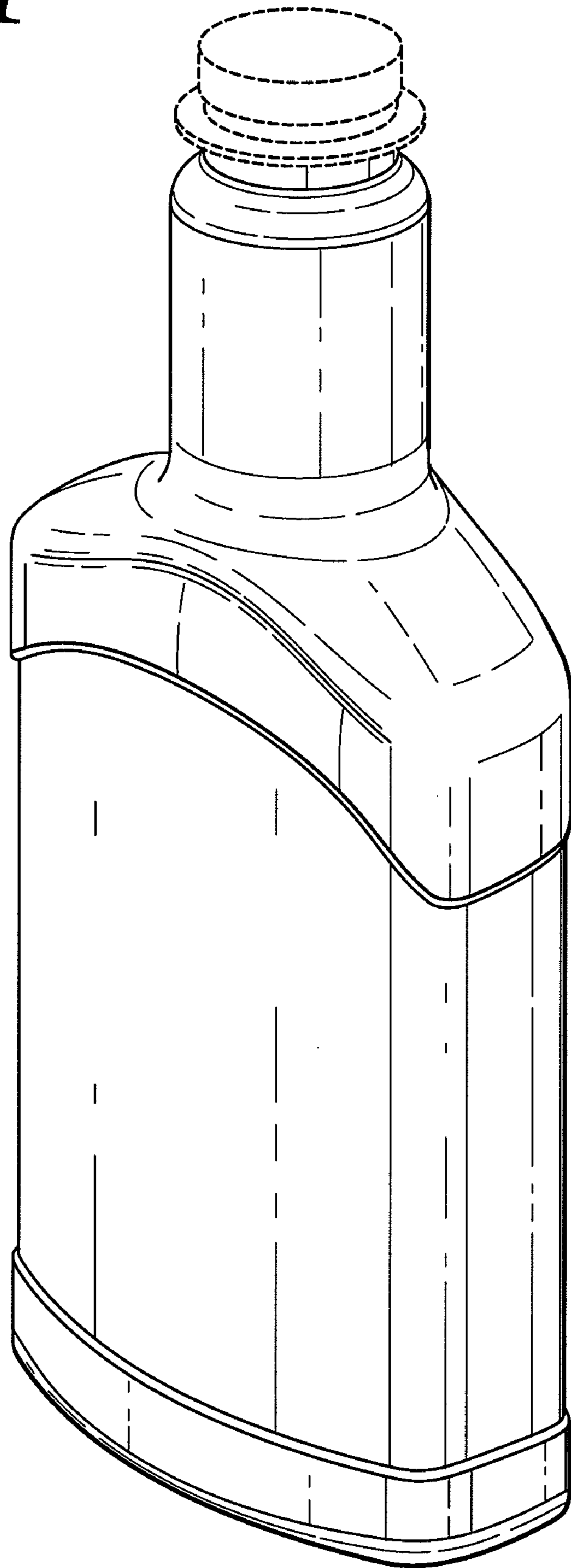


Fig. 2

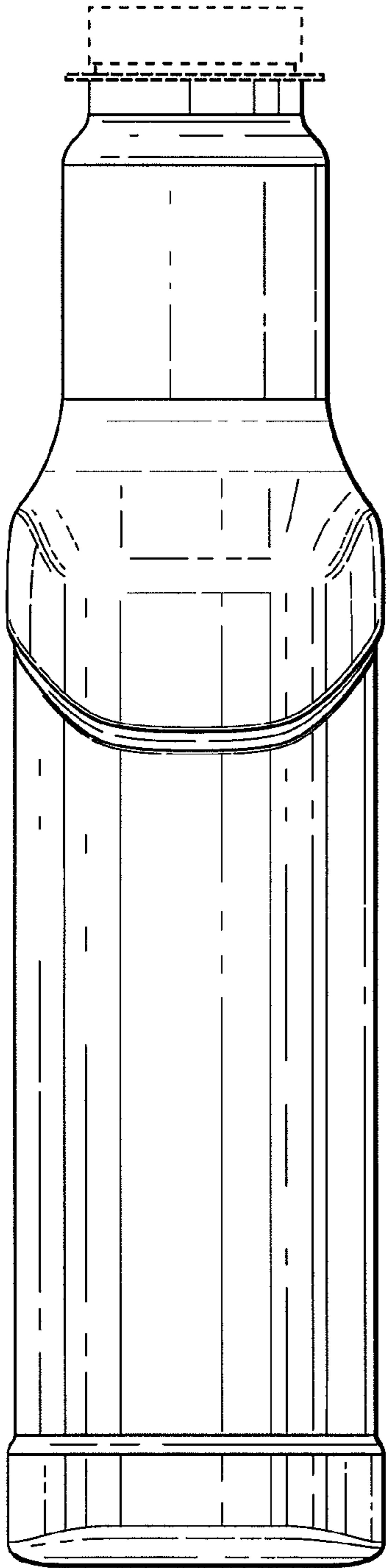


Fig. 3

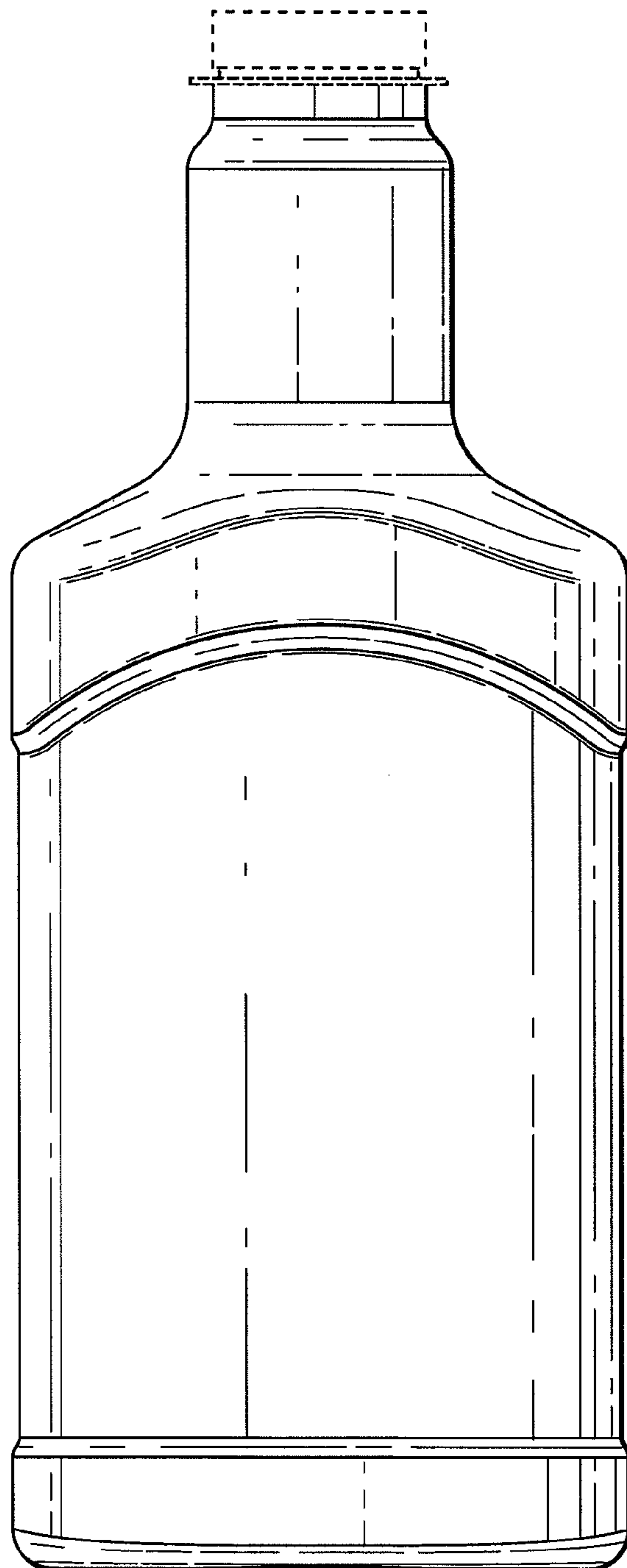


Fig. 4

