



US00D585754S

(12) **United States Design Patent**
McGregor et al.

(10) **Patent No.:** **US D585,754 S**
(45) **Date of Patent:** **** Feb. 3, 2009**

(54) **FRAGRANCE BOTTLE AND CAP**

(75) Inventors: **Lance McGregor**, Brooklyn, NY (US);
Jin Chung, New York, NY (US)

(73) Assignee: **Christian Casey LLC**, New York, NY
(US)

(**) Term: **14 Years**

(21) Appl. No.: **29/305,663**

(22) Filed: **Mar. 26, 2008**

(51) **LOC (9) Cl.** **09-01**

(52) **U.S. Cl.** **D9/559**; D9/529

(58) **Field of Classification Search** D9/516,
D9/529, 544, 545, 546, 549, 553, 556, 557,
D9/558, 559, 560, 566, 569, 570, 571, 574,
D9/575, 434, 435; 215/381-385
See application file for complete search history.

(56) **References Cited**

U.S. PATENT DOCUMENTS

D74,732 S	3/1928	Frailey	
D88,325 S	11/1932	Tourtois	
D94,199 S *	1/1935	Fuerst	D9/566
D94,786 S *	3/1935	Stein	D9/566
D95,849 S	6/1935	Leach	
D105,396 S *	7/1937	McIntosh	D9/560
D149,789 S	6/1948	Baud	
D195,148 S *	4/1963	Marchant	D9/529
D203,360 S *	12/1965	Becker	D9/529
D230,828 S *	3/1974	Jeruchim	D9/529
D233,019 S *	10/1974	Dogillotti	D9/563
D243,067 S *	1/1977	Mitchell	D9/529
D258,868 S *	4/1981	Soderberg	D9/529
D263,560 S *	3/1982	Leonard	D9/529
D270,040 S *	8/1983	Perez Casasa y Perez de Guzman	D9/573
D280,295 S *	8/1985	de Mouy et al.	D9/573
D294,183 S *	2/1988	Hiesse	D28/7
D309,860 S *	8/1990	Fossati	D9/687
D310,330 S *	9/1990	Cassini	D9/569
D325,523 S *	4/1992	Restrepo	D9/529

D333,270 S *	2/1993	Albright et al.	D9/566
D334,143 S *	3/1993	Rothfos	D9/529
D340,185 S	10/1993	Martone	
D394,368 S *	5/1998	Mekler	D7/605
D459,209 S *	6/2002	Yamamoto	D9/687
D511,688 S *	11/2005	Baron	D9/560
D537,728 S *	3/2007	De Monclin	D9/573
D538,675 S	3/2007	Dalton	
D542,144 S *	5/2007	Herrmann	D9/560
D542,670 S *	5/2007	Herrmann	D9/560
D546,192 S *	7/2007	Faillant Dumas	D9/571
D577,600 S *	9/2008	Kim et al.	D9/573

* cited by examiner

Primary Examiner—Stella M Reid

Assistant Examiner—Elizabeth J Oswecki

(74) *Attorney, Agent, or Firm*—Cynthia R. Miller

(57) **CLAIM**

The ornamental design for a fragrance bottle and cap, substantially as shown and described.

DESCRIPTION

FIG. 1 is a top, front, and right side view of a first embodiment of a fragrance bottle and cap showing our new design;

FIG. 2 is a front elevation view thereof, the rear elevation view being a mirror image thereof;

FIG. 3 is a right side elevation view thereof, the left side elevation view being a mirror image thereof;

FIG. 4 is a top plan view thereof;

FIG. 5 is a rear view thereof;

FIG. 6 is a top, front, and right side view of a second embodiment of a fragrance bottle and cap showing our new design;

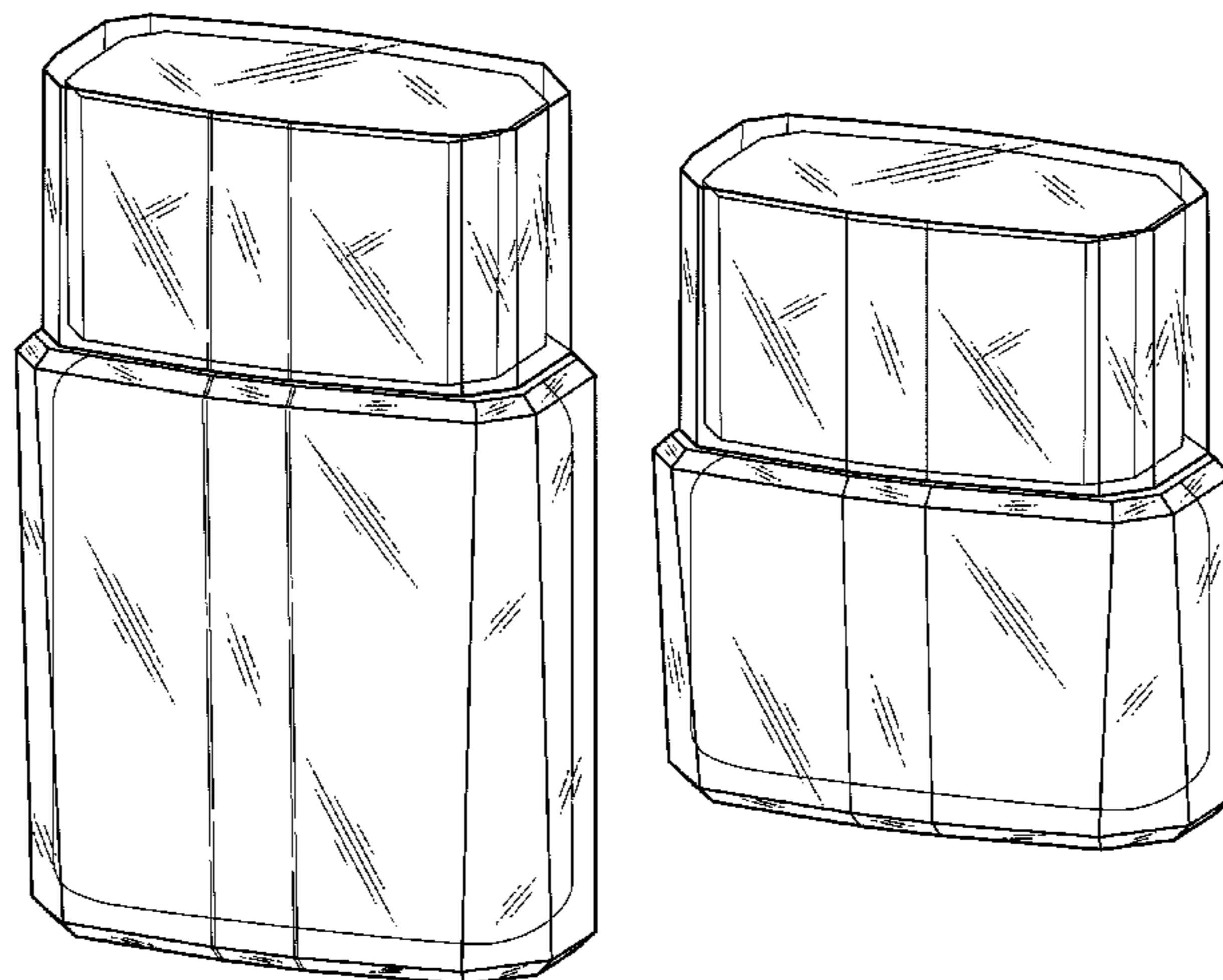
FIG. 7 is a front elevation view thereof, the rear elevation view being a mirror image thereof;

FIG. 8 is a right side elevation view thereof, the left side elevation view being a mirror image thereof;

FIG. 9 is a top plan view thereof; and,

FIG. 10 is a rear view thereof.

1 Claim, 6 Drawing Sheets



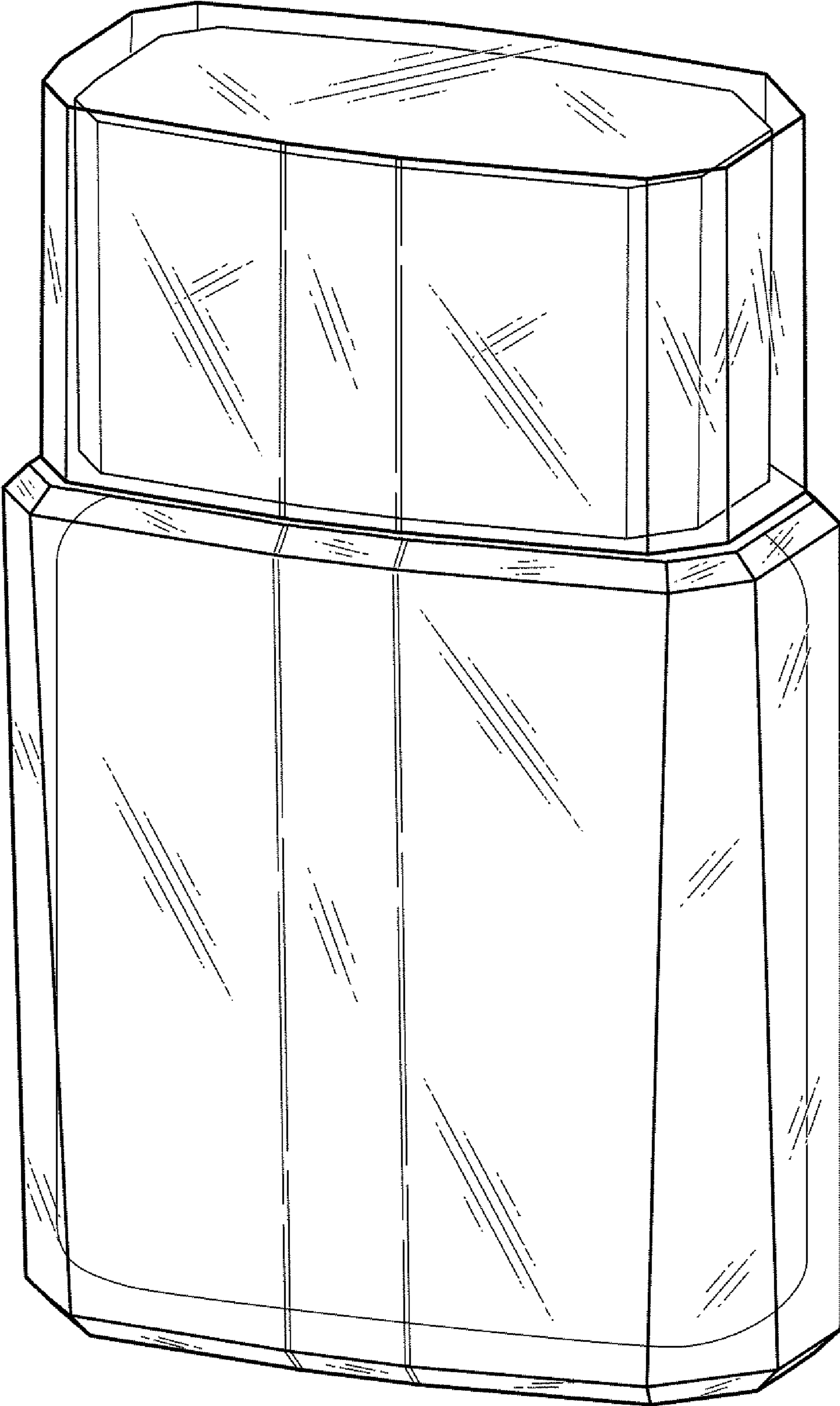


FIG. 1

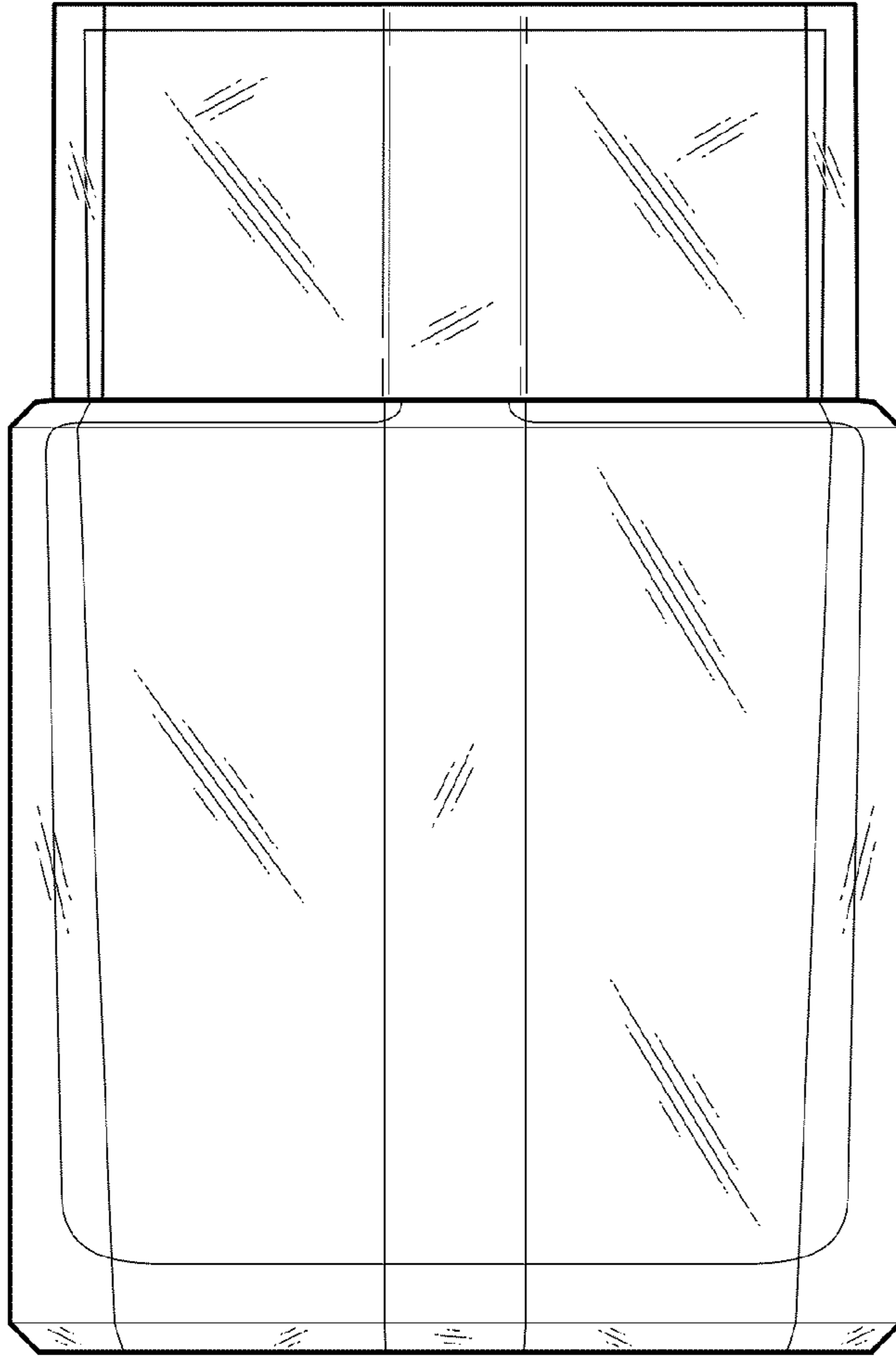


FIG. 2

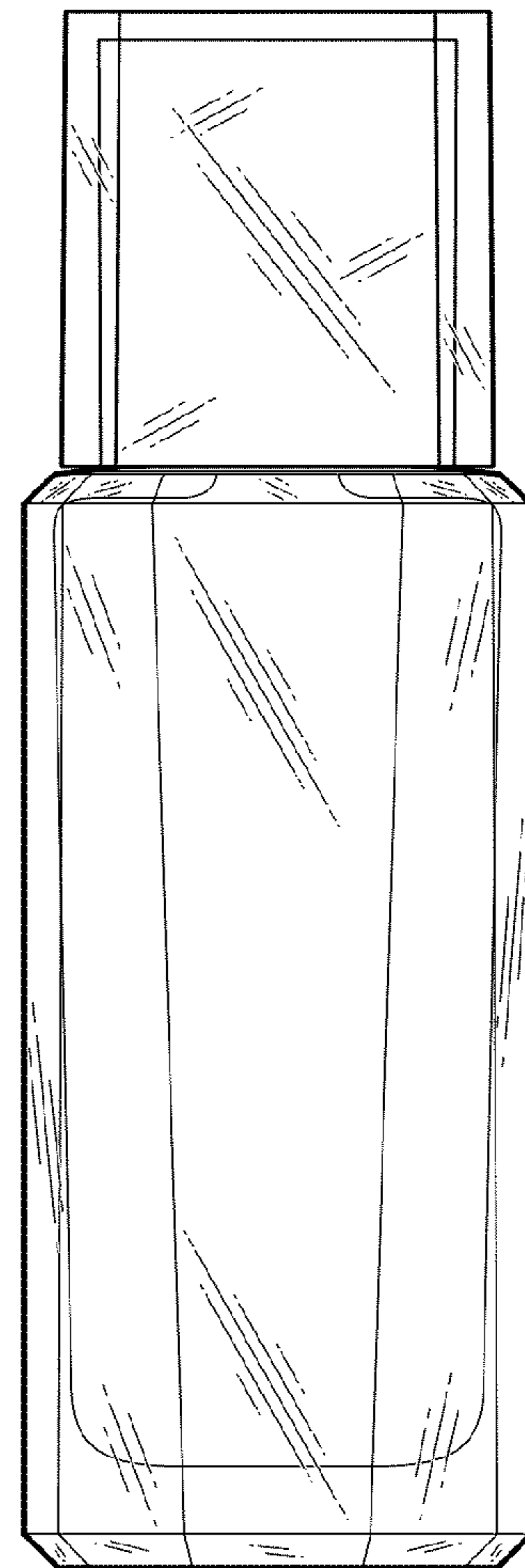


FIG. 3

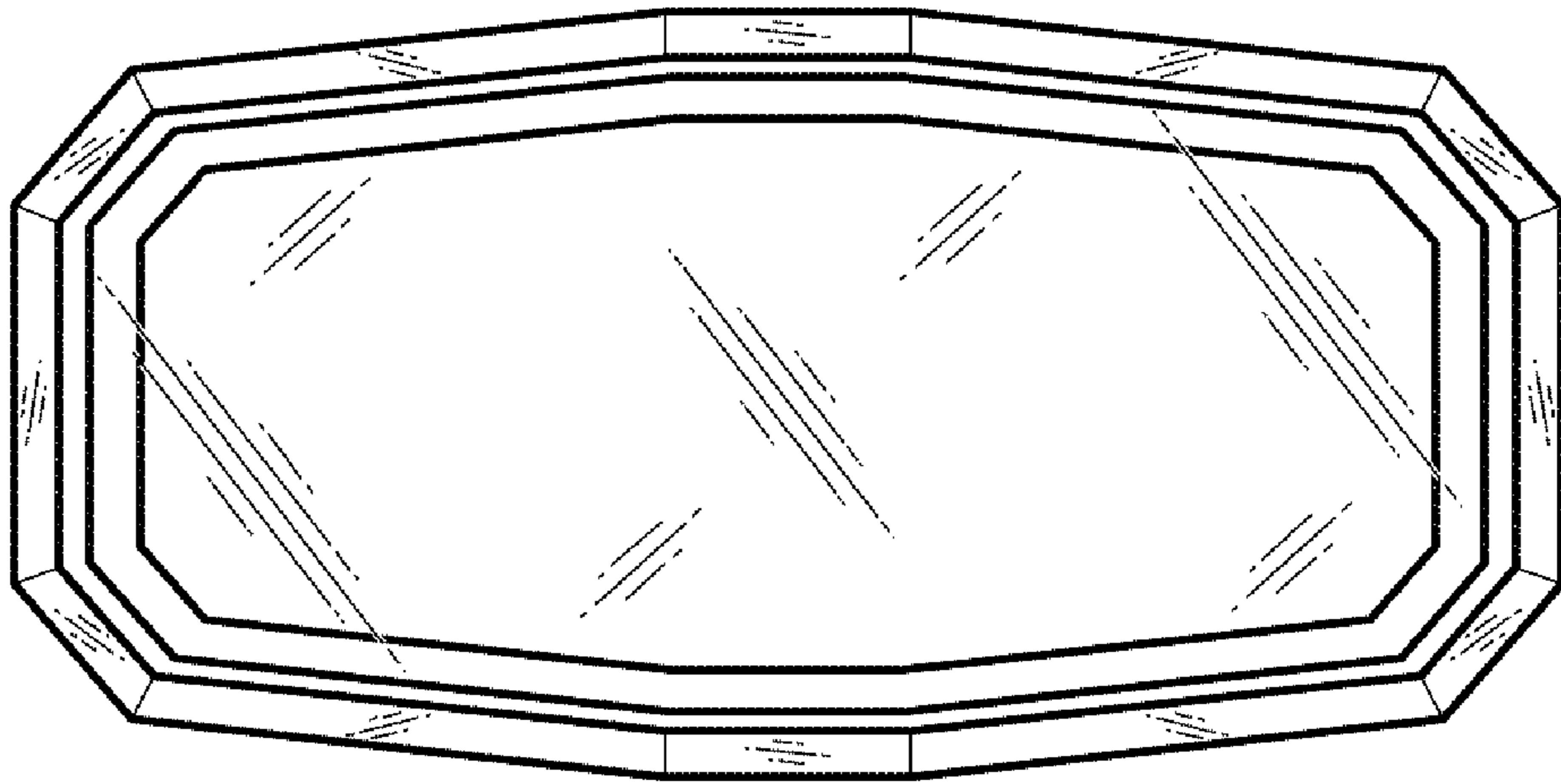


FIG. 4

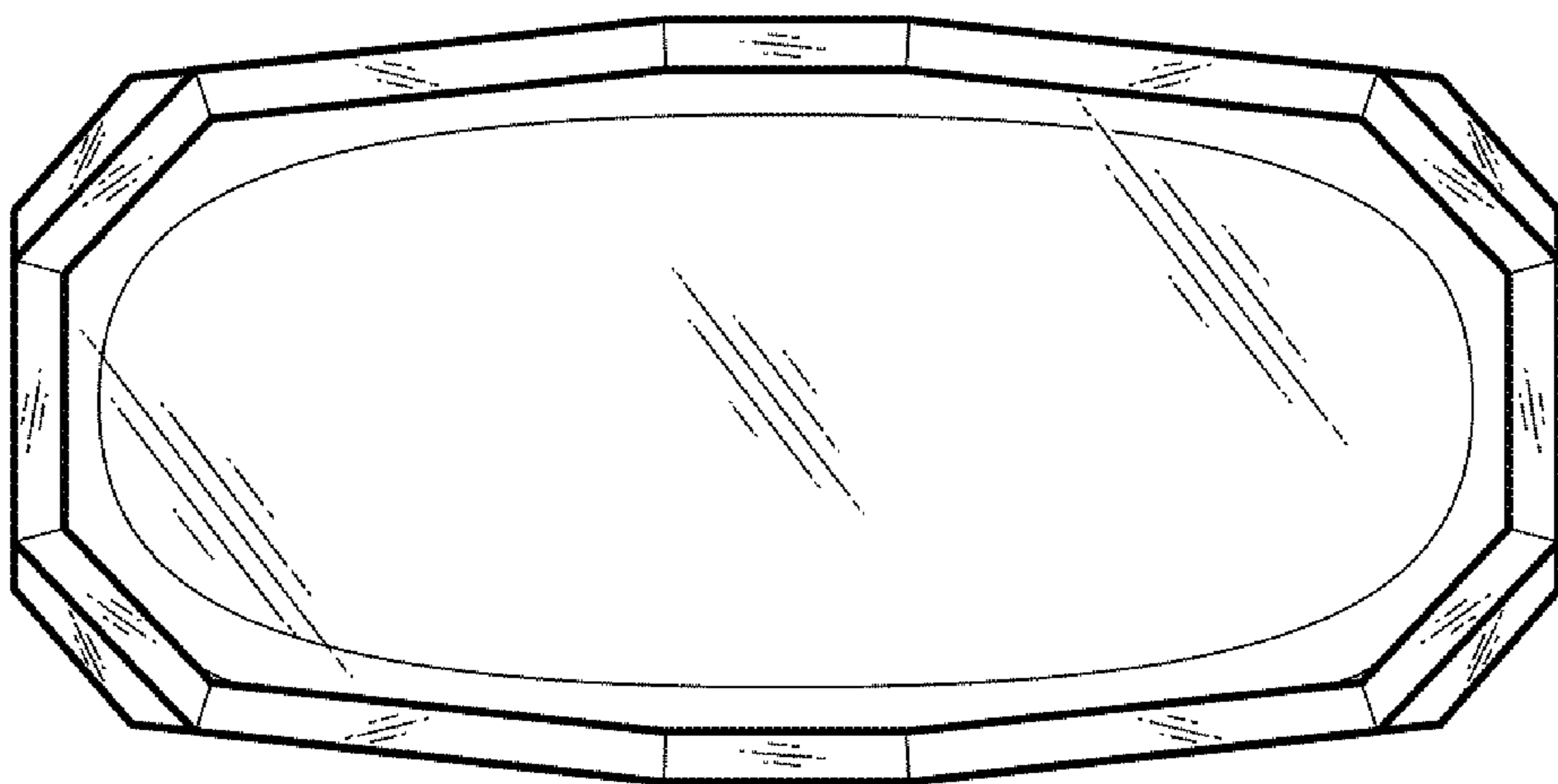


FIG. 5

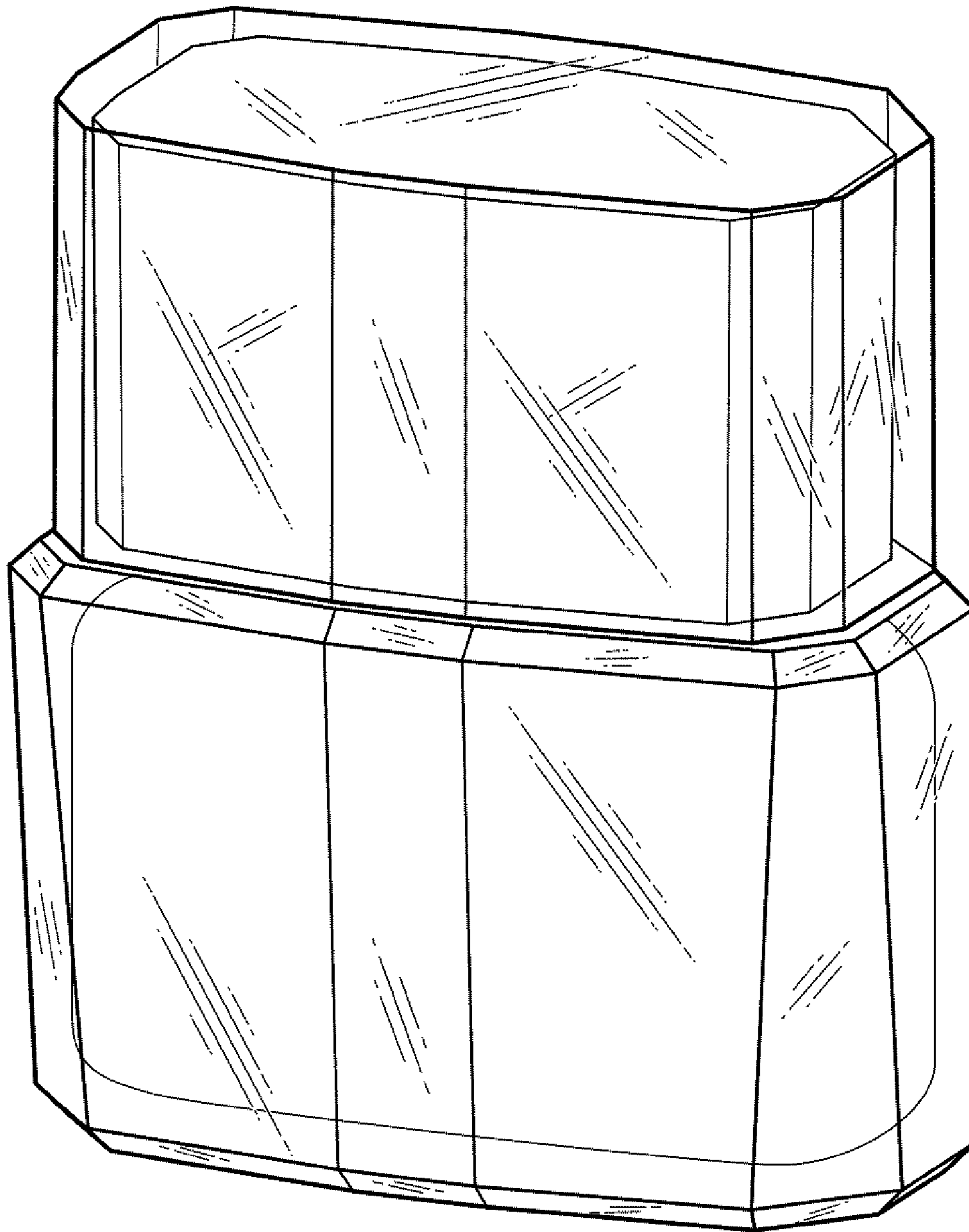


FIG. 6

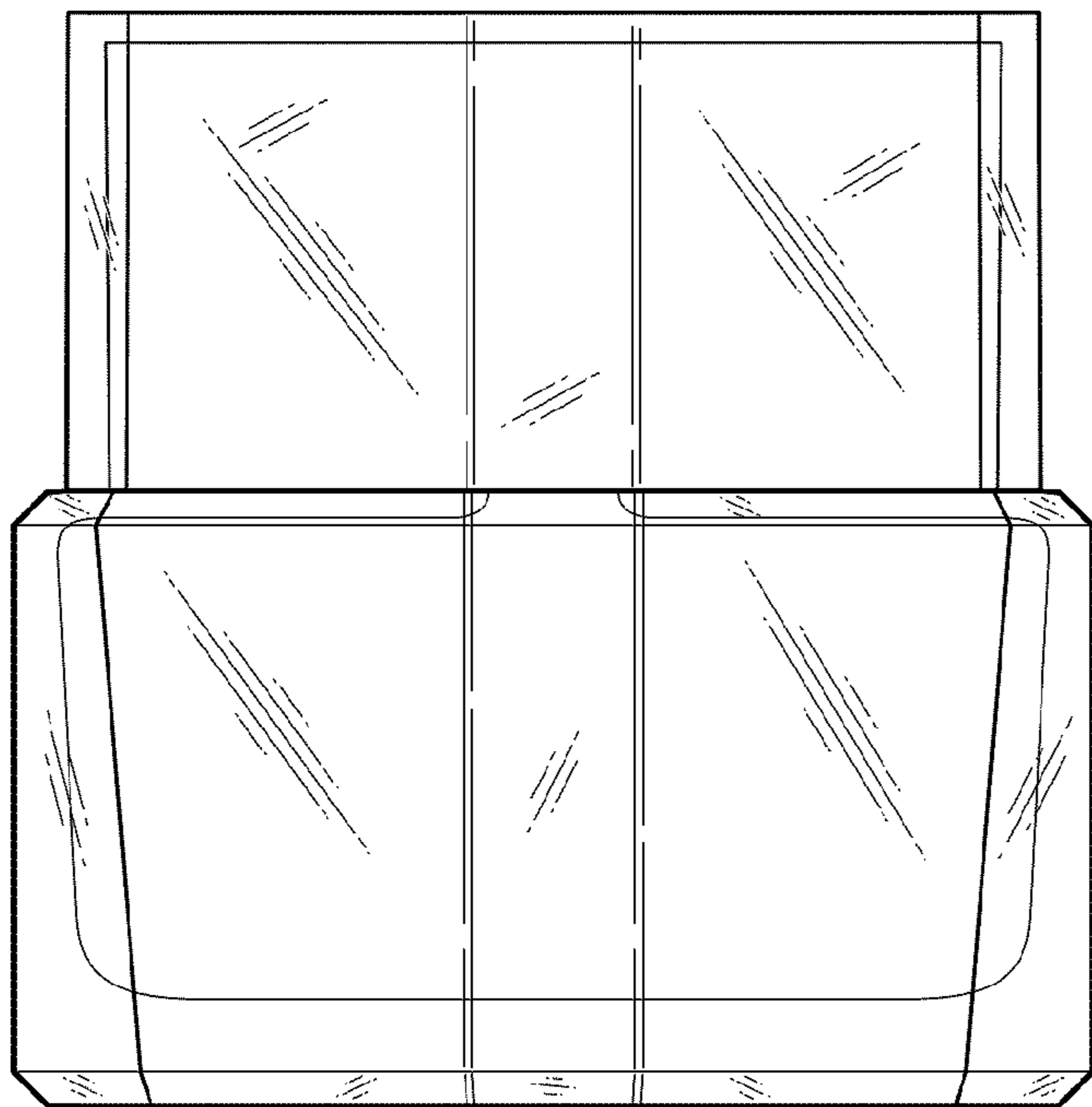


FIG. 7

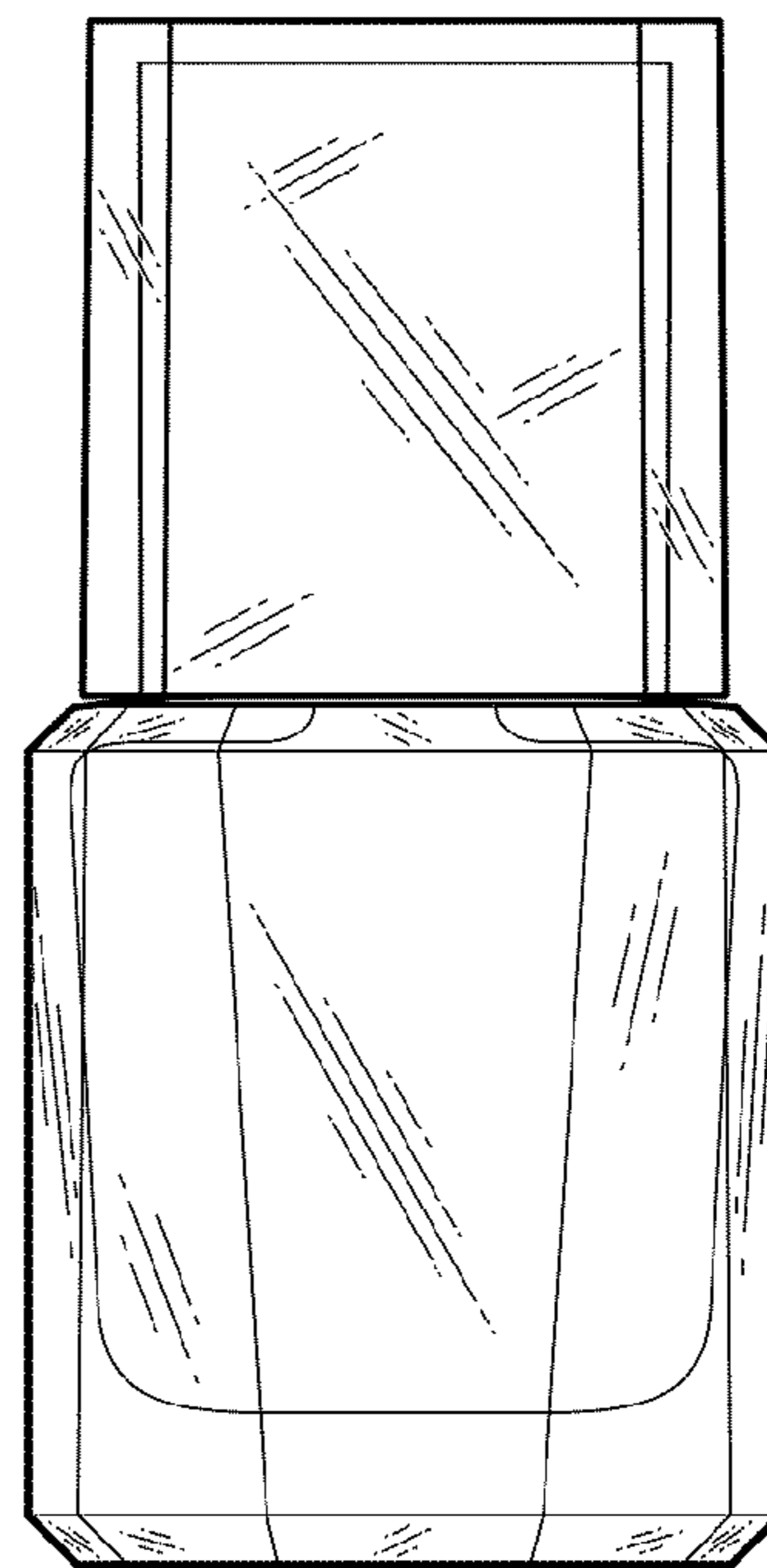


FIG. 8

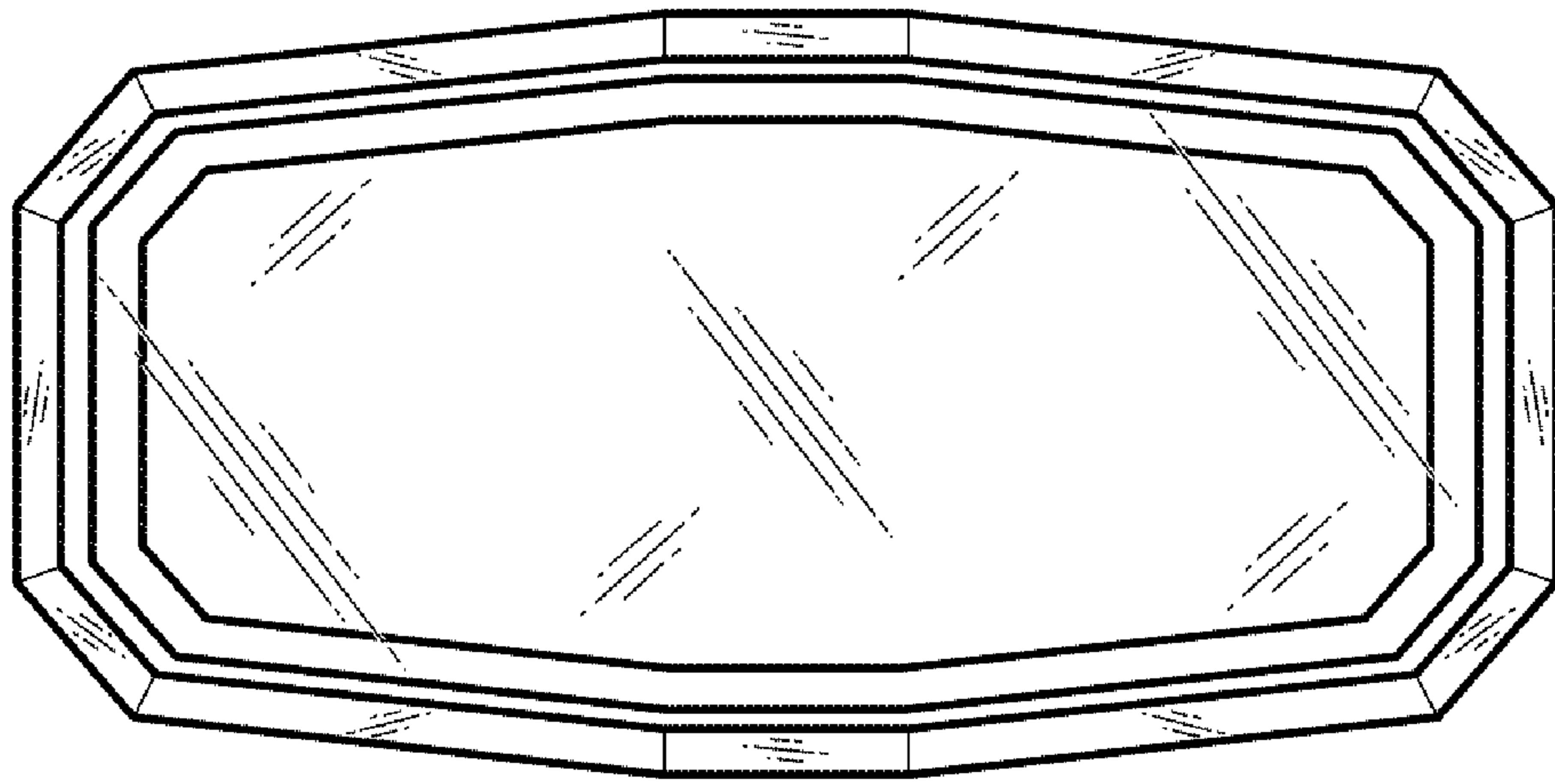


FIG. 9

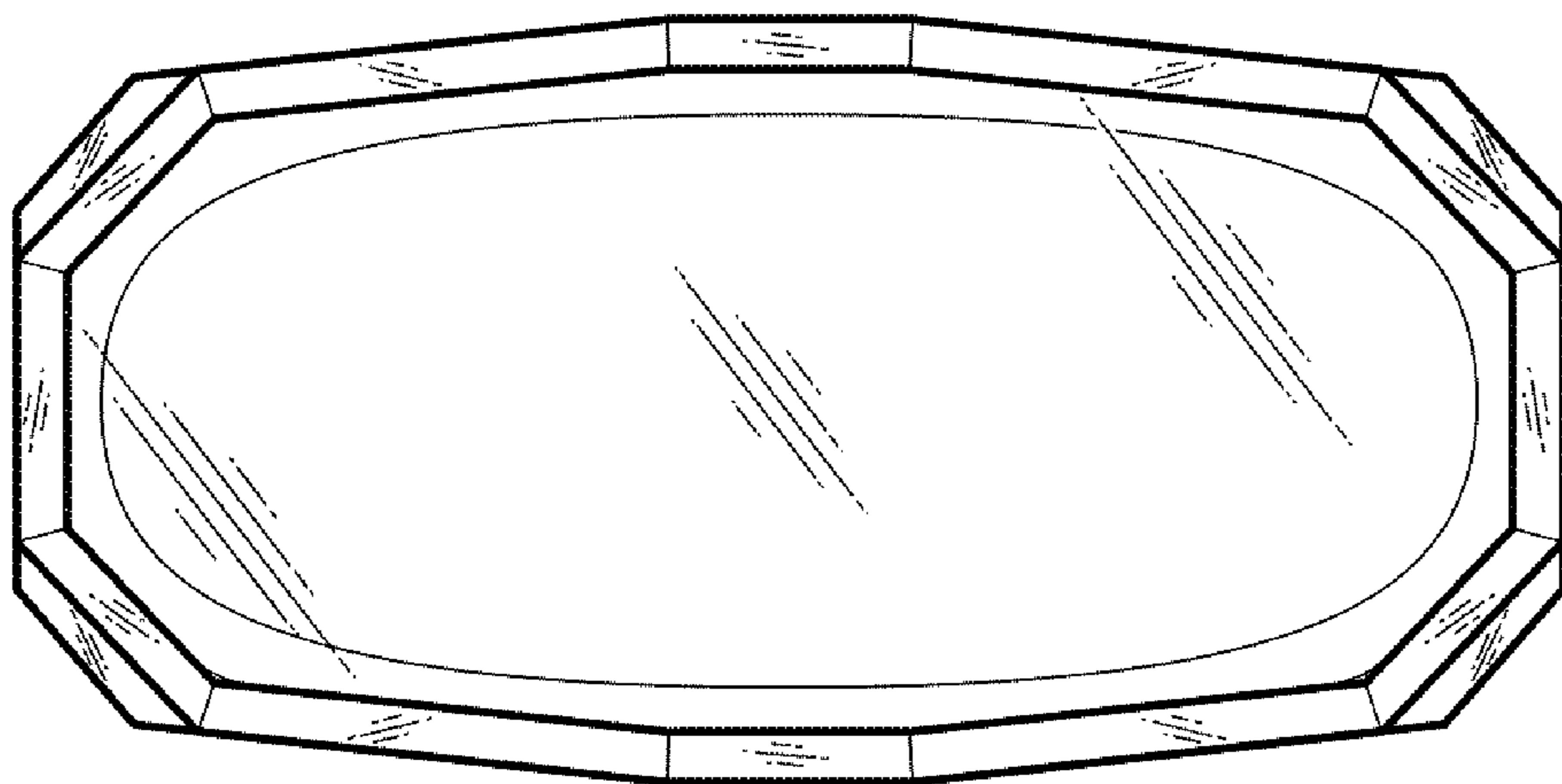


FIG. 10