



US00D585749S

(12) **United States Design Patent**  
**Snyder**

(10) **Patent No.:** **US D585,749 S**

(45) **Date of Patent:** **\*\* Feb. 3, 2009**

(54) **BOTTLE**

(75) Inventor: **David A. Snyder**, West Chicago, IL (US)

(73) Assignee: **Kranson Industries, Inc**, St. Louis, MO (US)

(\*\*) Term: **14 Years**

(21) Appl. No.: **29/323,662**

(22) Filed: **Aug. 28, 2008**

**Related U.S. Application Data**

(62) Division of application No. 29/284,949, filed on Sep. 18, 2007.

(51) **LOC (9) Cl.** ..... **09-01**

(52) **U.S. Cl.** ..... **D9/521; D9/573; D9/574**

(58) **Field of Classification Search** ..... D9/682-695,  
D9/697, 702, 707, 709-710, 516, 519, 521-522,  
D9/529-530, 542-544, 549, 558, 571-575;  
215/381-385; 220/660, 669, 675

See application file for complete search history.

(56) **References Cited**

**U.S. PATENT DOCUMENTS**

1,104,607	A	*	7/1914	Berger	.....	239/327
D154,431	S	*	7/1949	Reinecke	.....	D9/426
D189,076	S	*	10/1960	Altmen	.....	D9/521 X
D216,777	S	*	3/1970	Nelson	.....	D9/521
D272,128	S	*	1/1984	Parmentier	.....	D9/425
D279,077	S	*	6/1985	Drummond et al.	.....	D9/521
5,063,057	A	*	11/1991	Spellman et al.	.....	424/401
D325,700	S	*	4/1992	Fromanger et al.	.....	D9/519 X

D327,216	S	*	6/1992	Connell	.....	D9/696
D425,408	S	*	5/2000	Bakic	.....	D9/695
D433,634	S	*	11/2000	Nicolas	.....	D9/529 X
D443,505	S	*	6/2001	Finocchiaro et al.	.....	D9/696
D456,267	S	*	4/2002	Borri	.....	D9/521
D459,209	S	*	6/2002	Yamamoto	.....	D9/687
D473,793	S	*	4/2003	Paster	.....	D9/521
D485,764	S	*	1/2004	Bakic	.....	D9/574 X
D514,944	S	*	2/2006	Lamb et al.	.....	D9/529

\* cited by examiner

*Primary Examiner*—Carol Rademaker

(74) *Attorney, Agent, or Firm*—H. Frederick Rusche; Husch Blackwell Sanders LLP

(57) **CLAIM**

I claim the ornamental design for a bottle, as shown and described.

**DESCRIPTION**

FIG. 1 is a top, front, and left side perspective view of a bottle in showing my new design;

FIG. 2 is a front elevational view thereof, the rear elevational view being identical;

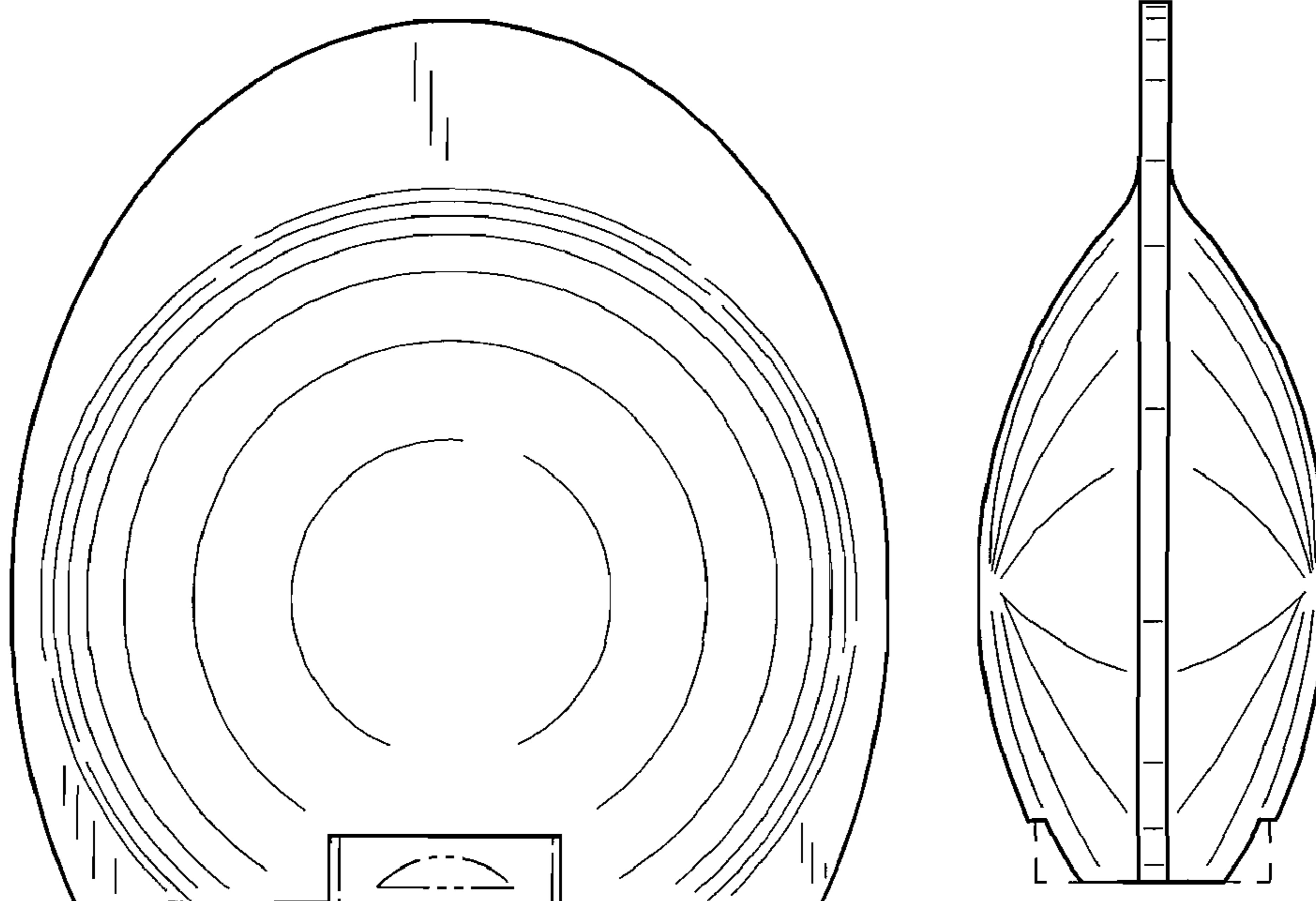
FIG. 3 is a right side elevational view thereof, the left side elevational view being identical;

FIG. 4 is a top plan view thereof; and,

FIG. 5 is a bottom plan view thereof.

The broken lines shown in the drawing views are included for the purpose of showing environmental structure that forms no part of the claimed design.

**1 Claim, 1 Drawing Sheet**



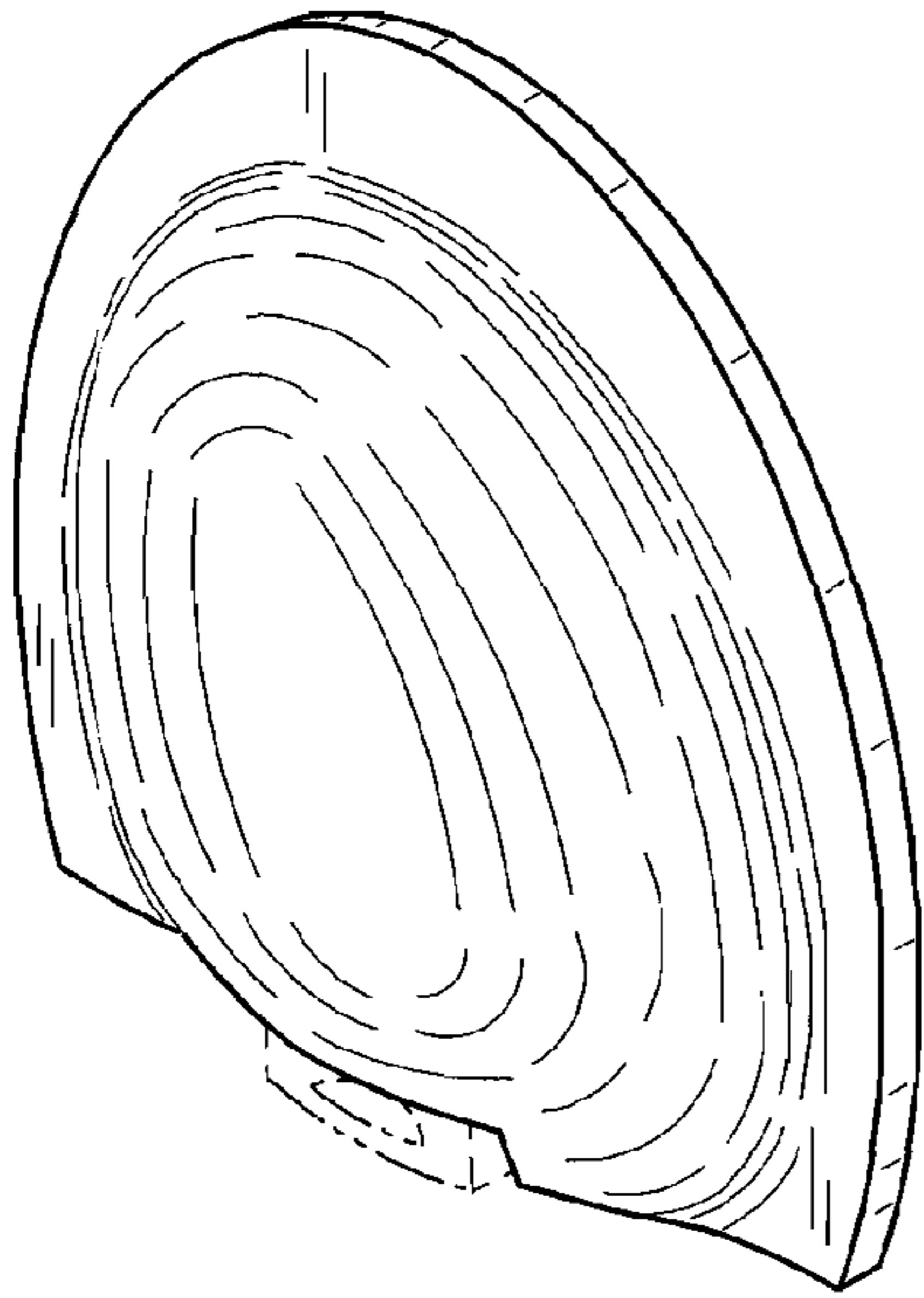


FIG. 1

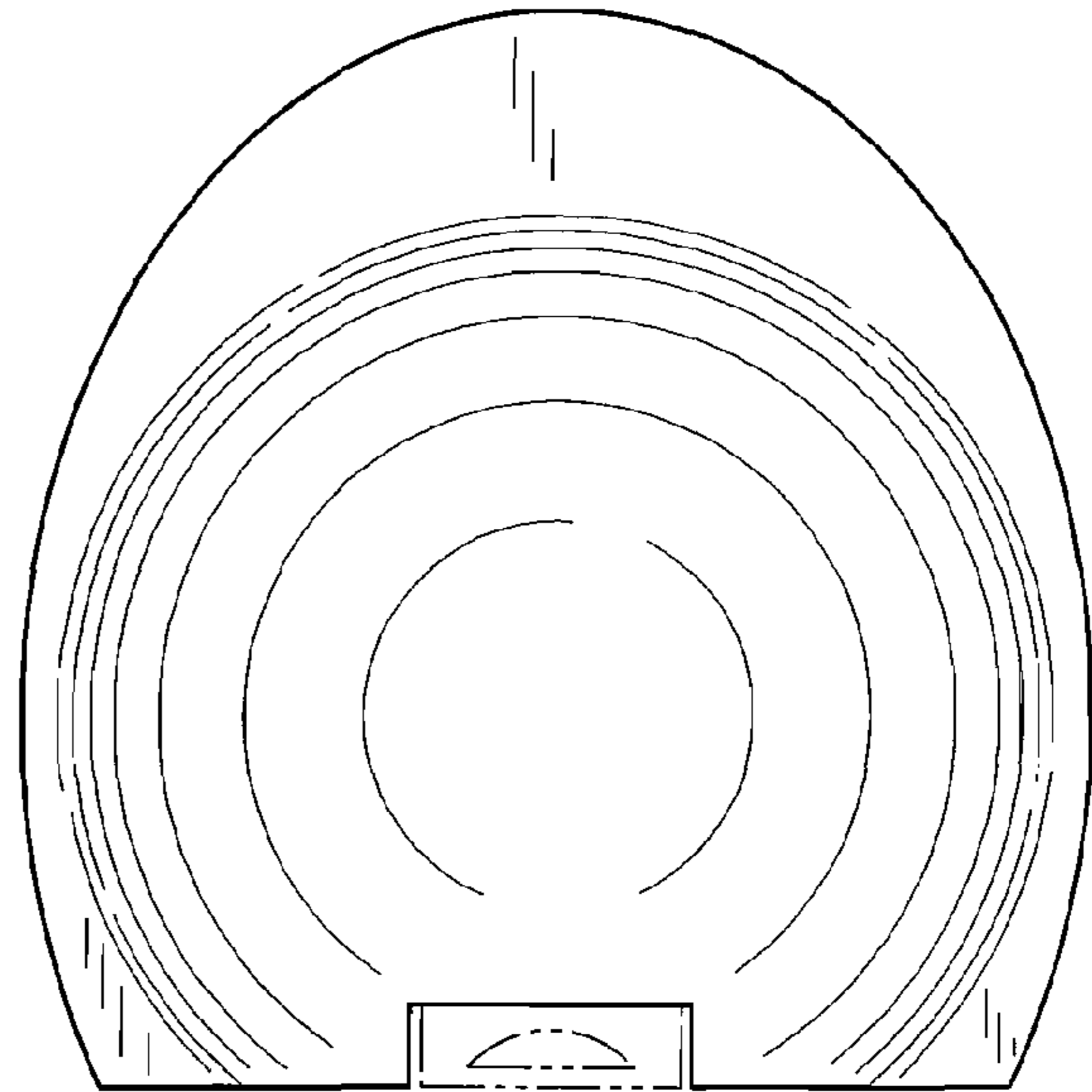


FIG. 2

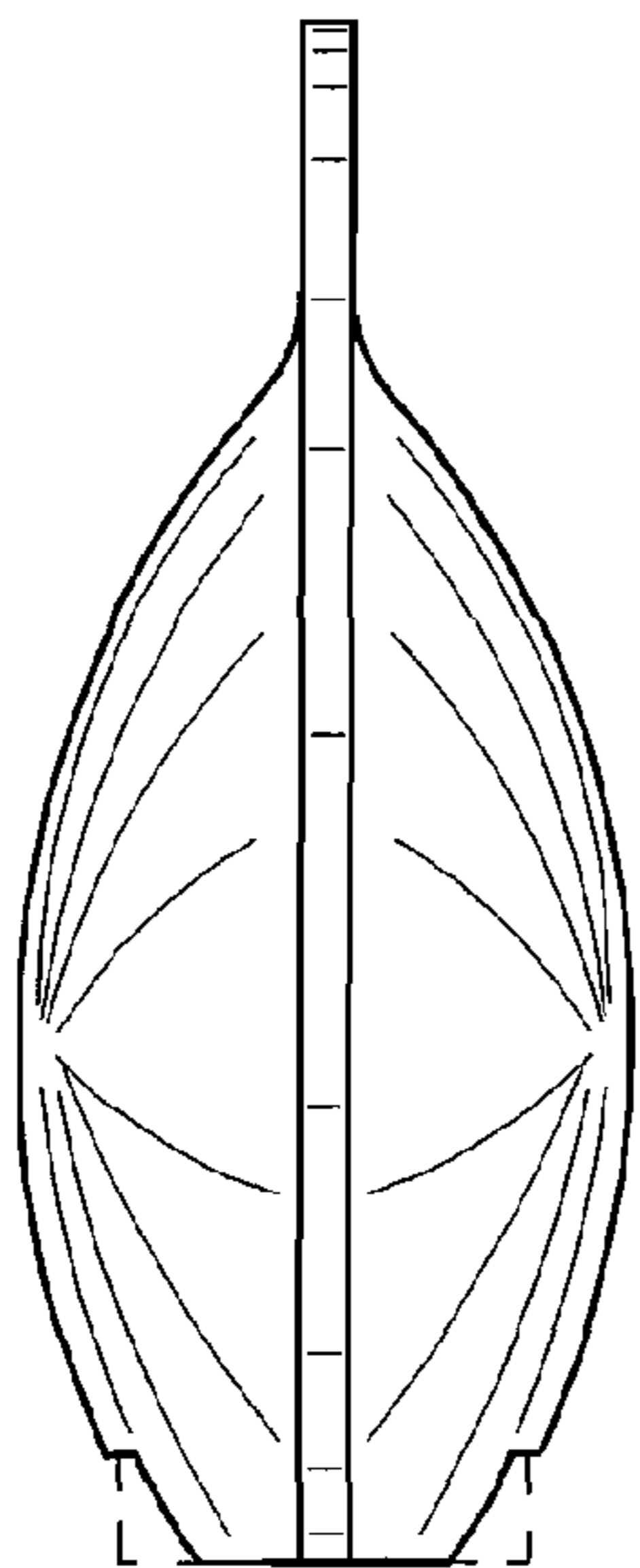


FIG. 3

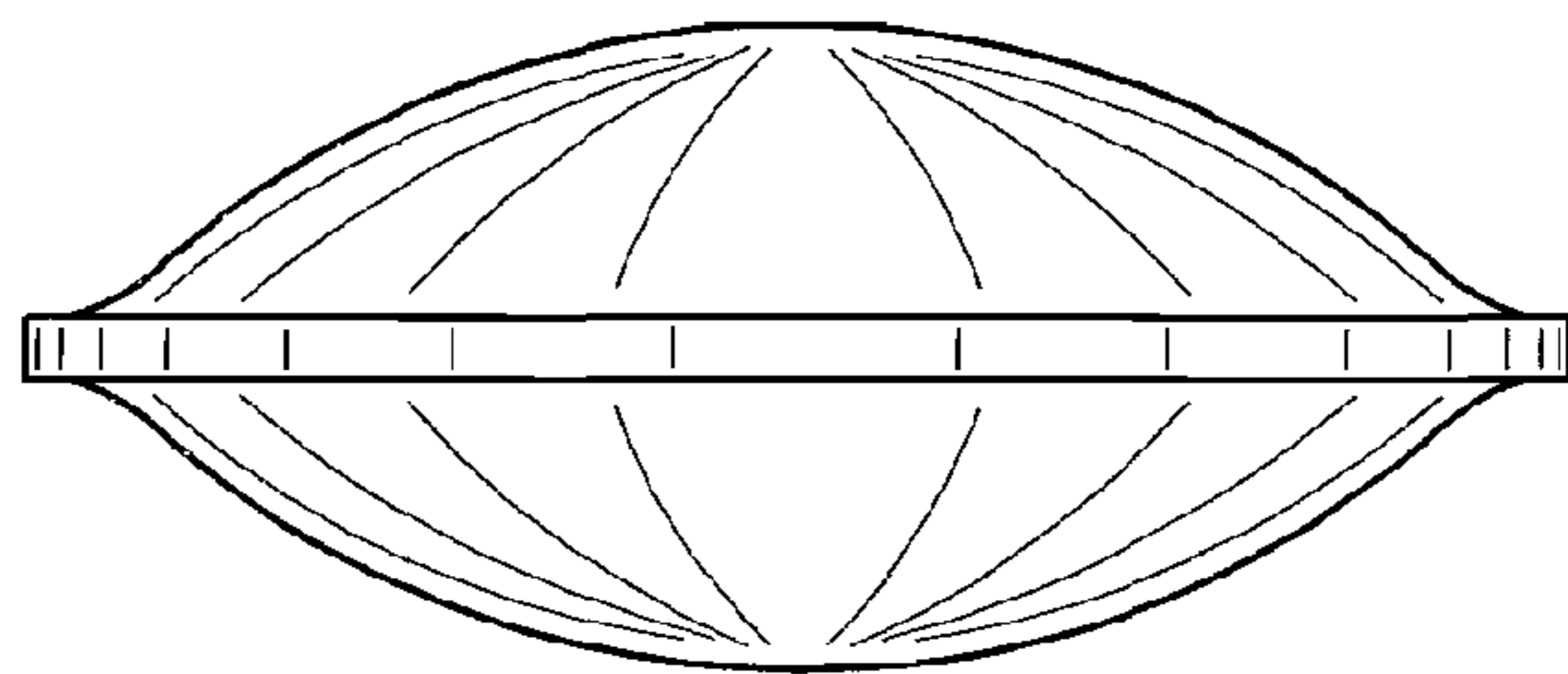


FIG. 4

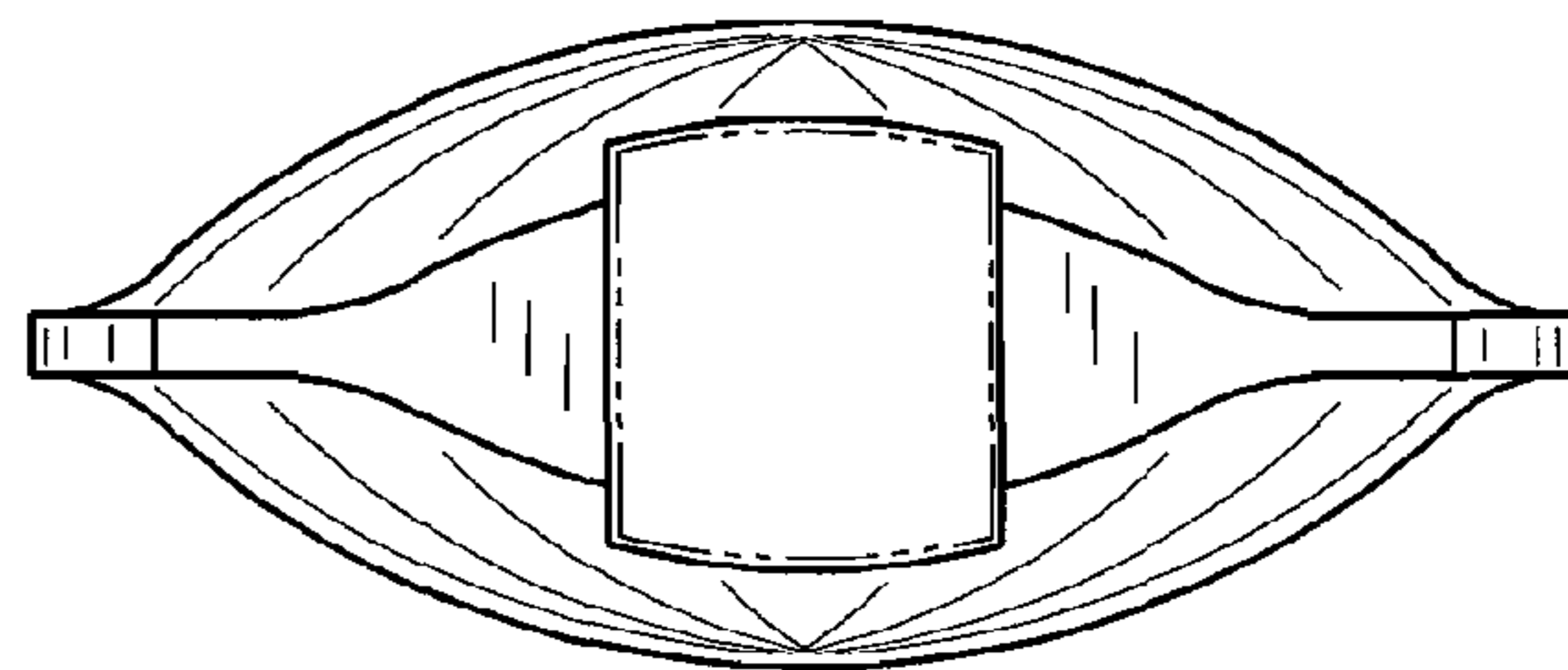


FIG. 5