



US00D585747S

(12) **United States Design Patent**  
**Dodge et al.**

(10) **Patent No.:** **US D585,747 S**

(45) **Date of Patent:** **\*\* Feb. 3, 2009**

(54) **BOTTLE**

(75) Inventors: **Angela Nicole Dodge**, Hoffman Estates, IL (US); **Ronald James Olson**, Gurnee, IL (US)

(73) Assignee: **Kraft Foods Global Brands LLC**, Northfield, IL (US)

(\*\*) Term: **14 Years**

(21) Appl. No.: **29/306,372**

(22) Filed: **Apr. 8, 2008**

**Related U.S. Application Data**

(62) Division of application No. 29/243,471, filed on Nov. 23, 2005, now Pat. No. Des. 568,164.

(51) **LOC (9) Cl.** ..... **09-01**

(52) **U.S. Cl.** ..... **D9/516; D9/549; D9/571**

(58) **Field of Classification Search** ..... D9/516,  
D9/520, 549-552, 554, 558, 561, 663, 565,  
D9/567, 571, 574; 215/379-385; 220/660-662,  
220/669, 675

See application file for complete search history.

(56) **References Cited**

**U.S. PATENT DOCUMENTS**

D428,342 S \* 7/2000 Stoller ..... D9/542  
D446,128 S \* 8/2001 Adee et al. .... D9/563  
D452,159 S \* 12/2001 Belser et al. .... D9/542

D484,808 S \* 1/2004 Thierjung et al. .... D9/530  
D539,659 S \* 4/2007 Cleary et al. .... D9/542  
D546,189 S \* 7/2007 Costello et al. .... D9/542  
D568,164 S \* 5/2008 Dodge et al. .... D9/544  
D569,733 S \* 5/2008 Dodge et al. .... D9/544

\* cited by examiner

*Primary Examiner*—Ian Simmons

*Assistant Examiner*—Dana L Sipos

(74) *Attorney, Agent, or Firm*—Fitch, Even, Tabin & Flannery

(57) **CLAIM**

We claim the ornamental design for a bottle, as shown and described.

**DESCRIPTION**

FIG. 1 is a top, front, right side perspective view of a bottle in accordance with our new design;

FIG. 2 is a front elevation view thereof;

FIG. 3 is a rear elevation view thereof;

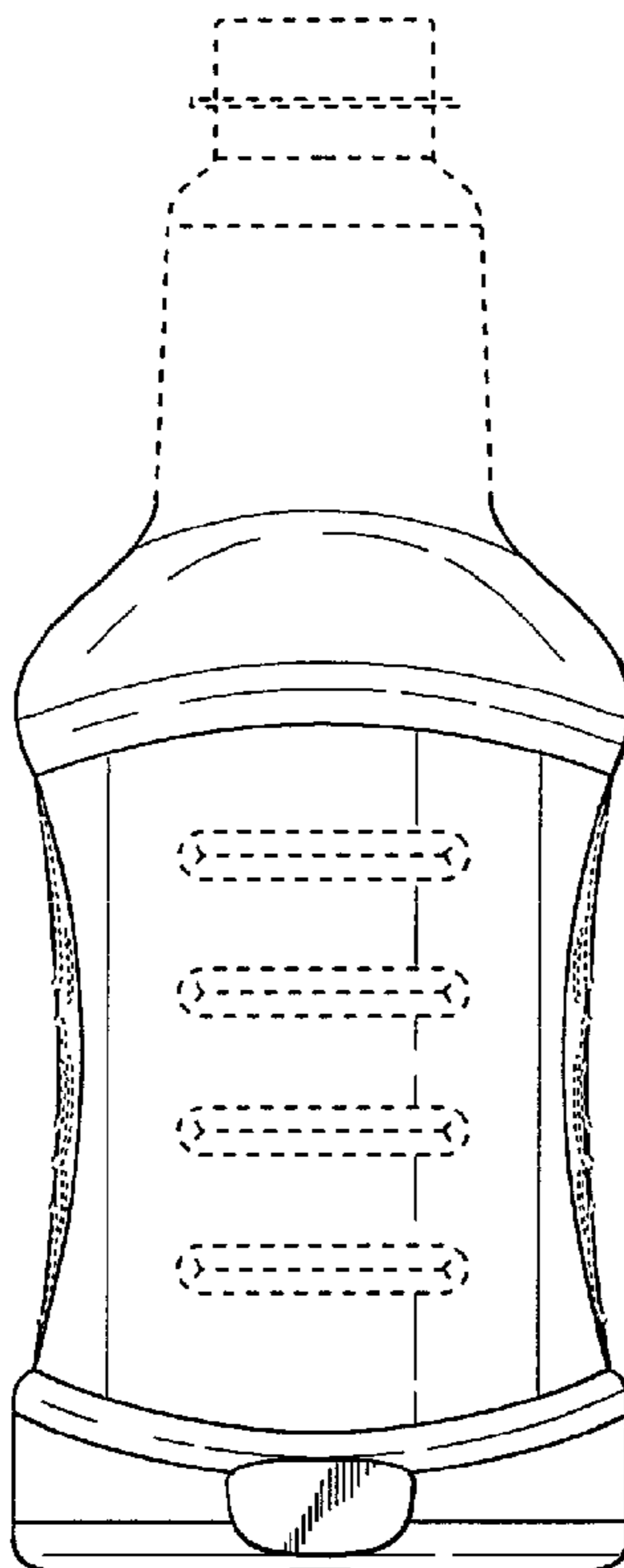
FIG. 4 is a left side elevation view thereof;

FIG. 5 is a right side elevation view thereof; and,

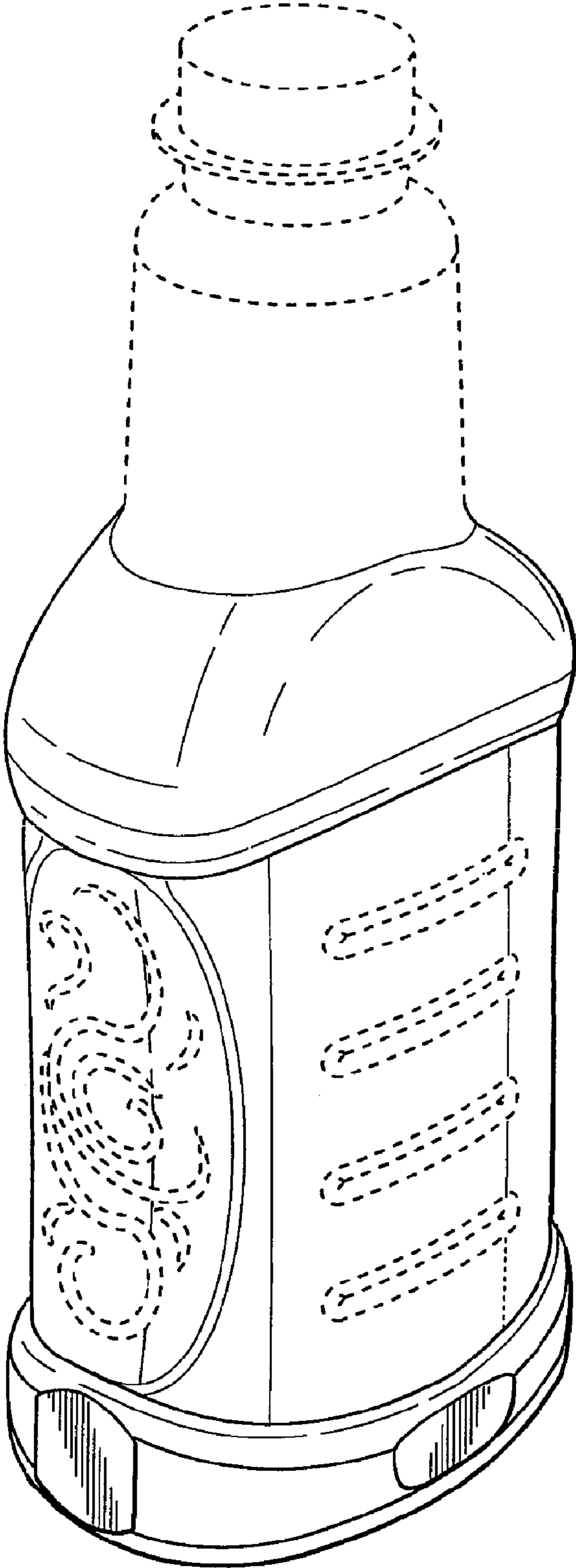
FIG. 6 is a top plan view thereof.

The portions of the bottle shown in broken lines in FIGS. 1-6 illustrate portions of the design which form no part of the claim.

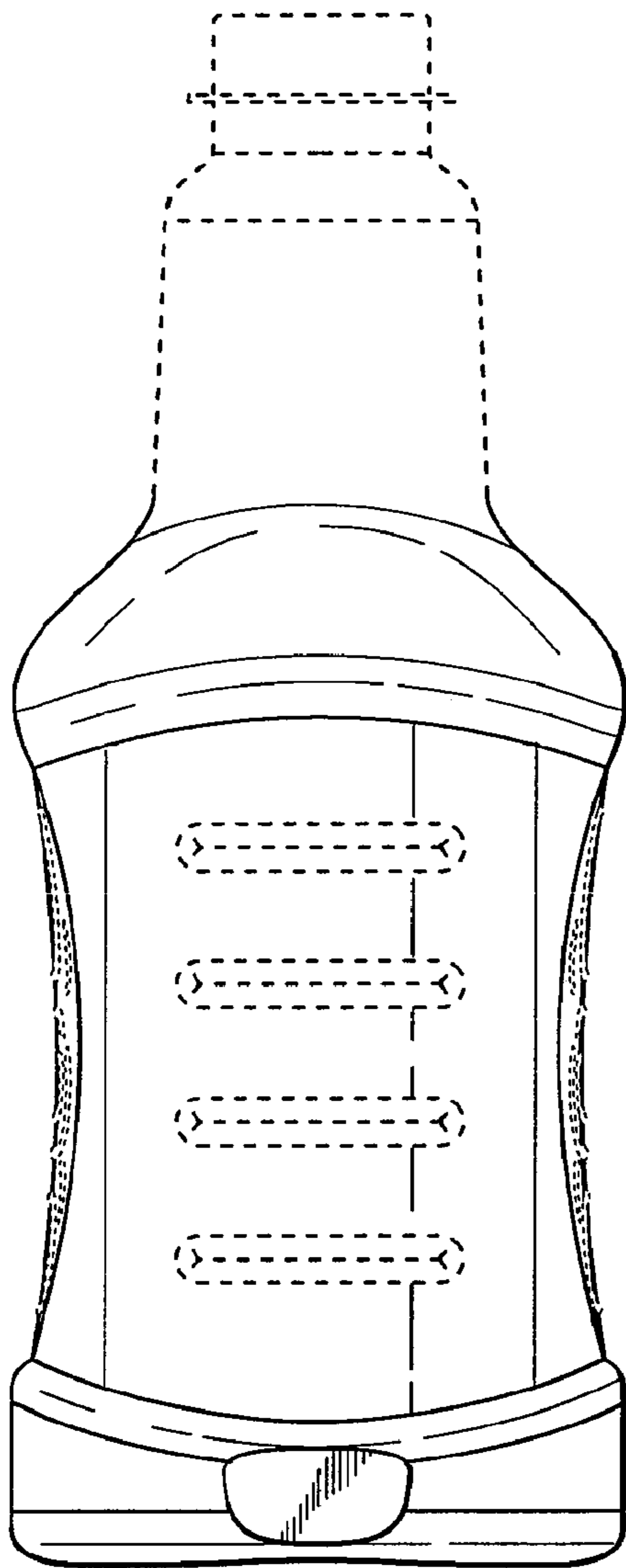
**1 Claim, 4 Drawing Sheets**



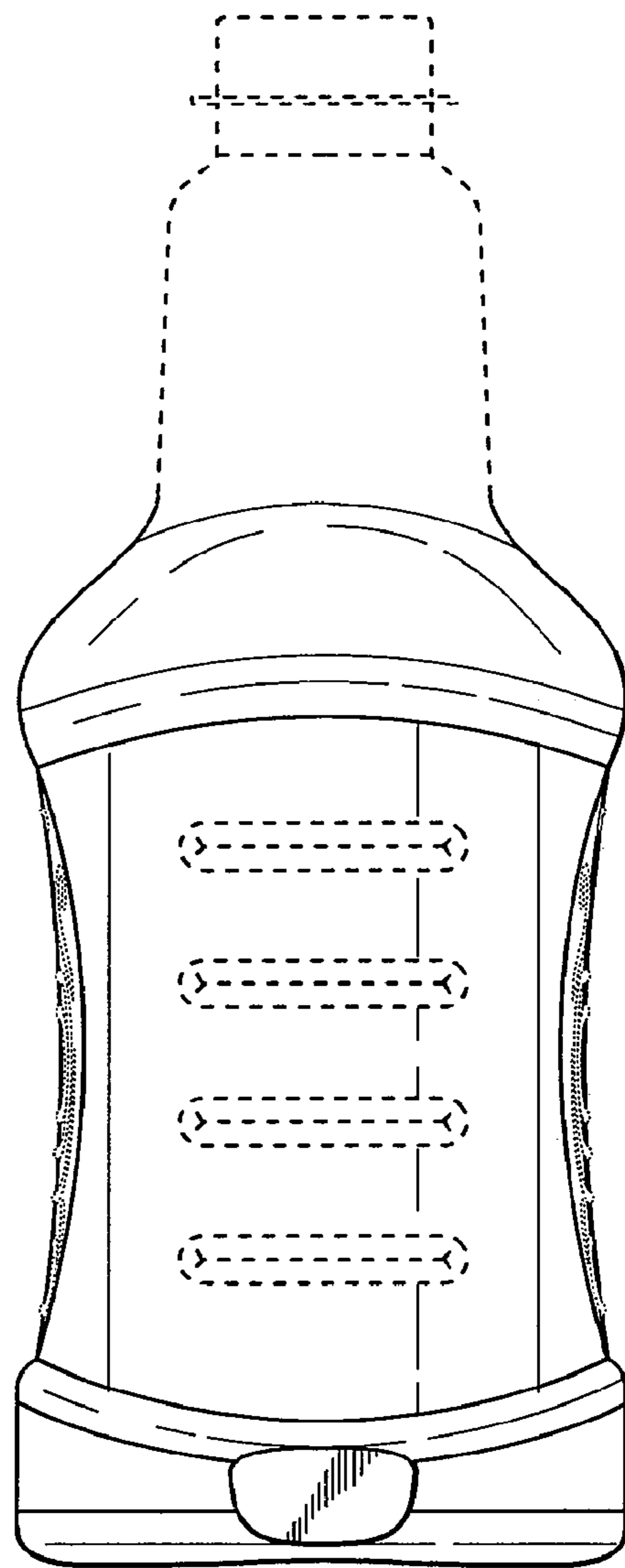
*Fig. 1*



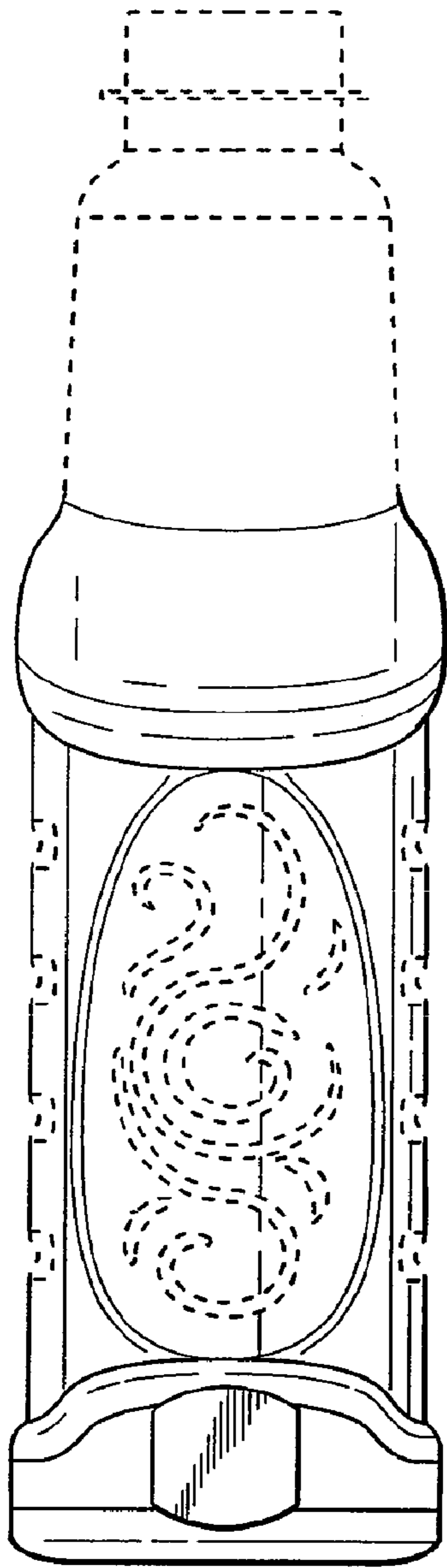
*Fig. 2*



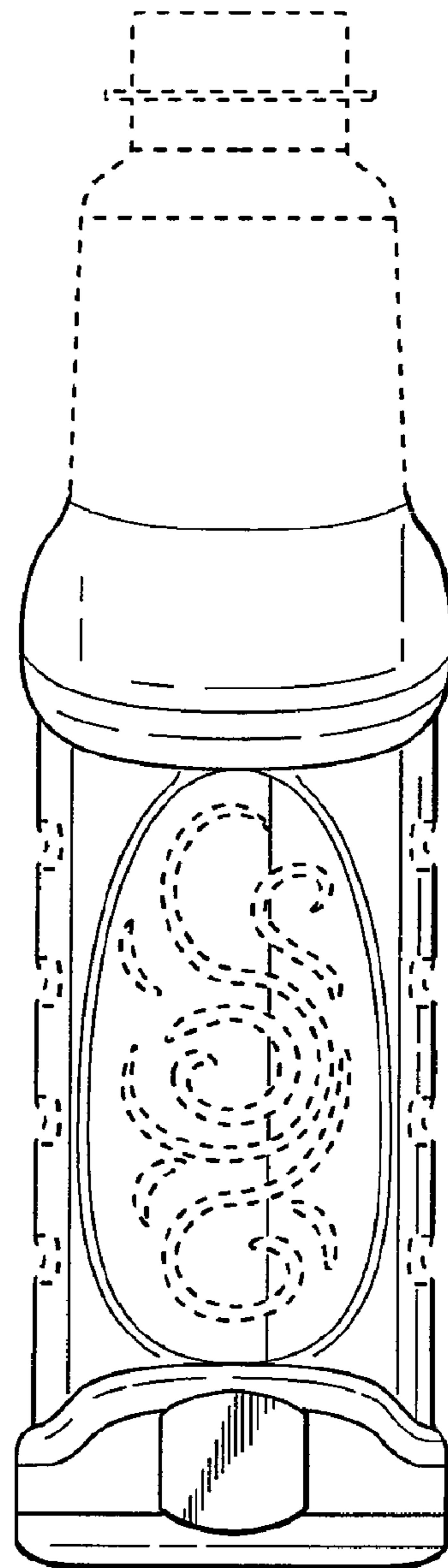
*Fig. 3*



*Fig. 4*



*Fig. 5*



*Fig. 6*

