



US00D585744S

(12) **United States Design Patent**
Shields

(10) **Patent No.:** **US D585,744 S**

(45) **Date of Patent:** **** Feb. 3, 2009**

(54) **COMBINED POUCH AND HOLDER**

D242,900 S 1/1977 Seiferth et al.

D250,880 S 1/1979 Stone et al.

(75) Inventor: **Frank Shields**, Nashville, TN (US)

4,378,069 A 3/1983 Franco

4,543,279 A 9/1985 Kai

(73) Assignee: **MARS, Incorporated**, McLean, VA
(US)

4,602,394 A * 7/1986 Allen et al. 4/659

(**) Term: **14 Years**

(Continued)

(21) Appl. No.: **29/287,519**

OTHER PUBLICATIONS

(22) Filed: **Aug. 17, 2007**

U.S. Appl. No. 29/287,527, Friedland, et. al.

(51) **LOC (9) Cl.** **09-07**

(Continued)

(52) **U.S. Cl.** **D9/455**

(58) **Field of Classification Search** D9/424,
D9/425, 455; D3/312; 220/23.6, 375, 675,
220/676, 752, 755; 206/503, 504, 507, 509,
206/510, 511, 512, 514, 515, 518, 557; 4/659;
D7/554.3

Primary Examiner—Robert M Spear

Assistant Examiner—Barbara B Lohr

(74) *Attorney, Agent, or Firm*—Arent Fox LLP

See application file for complete search history.

(57) **CLAIM**

The ornamental design for a combined pouch and holder, as shown and described.

(56) **References Cited**

U.S. PATENT DOCUMENTS

D87,540 S	8/1932	Picker	
D103,562 S *	3/1937	Cook	D9/455
D113,440 S	2/1939	Salfisberg	
D115,526 S	7/1939	Salfisberg	
D130,224 S *	11/1941	Guttman	D9/455
D134,061 S	10/1942	Salfisberg	
D137,262 S	2/1944	Hiemenz	
2,654,471 A	10/1953	Kopald et al.	
2,973,006 A	2/1961	Nelson	
D193,811 S	10/1962	Ebbet	
D195,903 S *	8/1963	Bogart	D9/425
D201,644 S	7/1965	Cave	
3,294,224 A	12/1966	Horwitz	
3,387,766 A	6/1968	Emanuel	
3,502,487 A	3/1970	Byrd	
3,650,461 A	3/1972	Hutcheson et al.	
D226,285 S *	2/1973	Bateman	D7/554.3
D229,894 S *	1/1974	Relfers	D9/425

DESCRIPTION

FIG. 1: is a perspective view of a combined pouch and holder showing our new design;

FIG. 2: is a top view of the design shown in FIG. 1,

FIG. 3: is a bottom view of the design shown in FIG. 1,

FIG. 4: is a left side view of the design shown in FIG. 1,

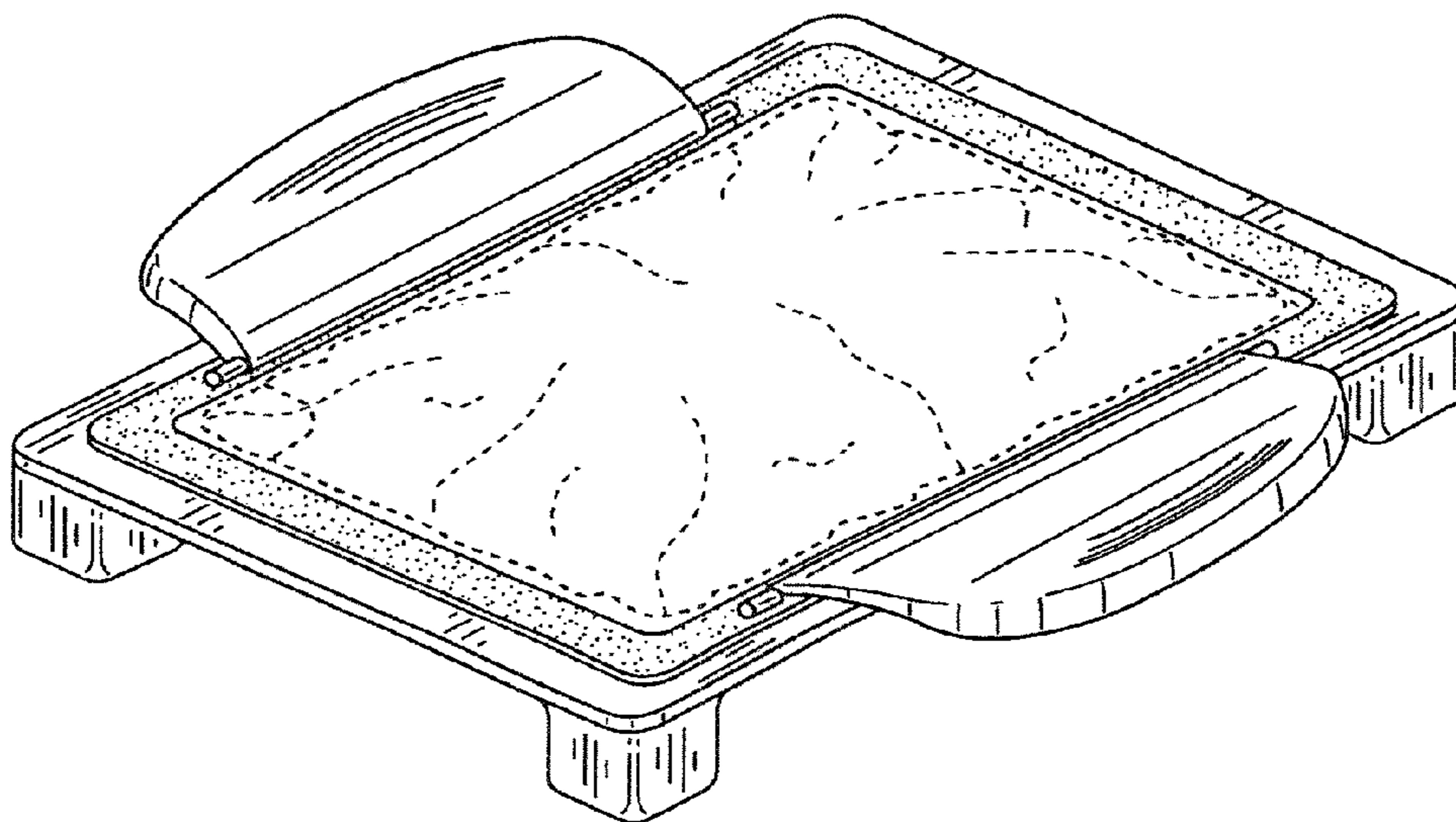
FIG. 5: is a right side view of the design shown in FIG. 1,

FIG. 6: is a front view of the design shown in FIG. 1; and,

FIG. 7: is a rear view of the design shown in FIG. 1.

In the various figures, the subject matter shown in broken lines forms no part of the claimed design.

1 Claim, 3 Drawing Sheets



US D585,744 S

Page 2

U.S. PATENT DOCUMENTS

D297,306 S 8/1988 King
4,784,864 A 11/1988 Ikeda
4,903,841 A 2/1990 Ohsima et al.
D306,555 S 3/1990 Lane et al.
D314,885 S 2/1991 Brunner
D318,611 S 7/1991 Sherman
5,038,547 A 8/1991 Kai et al.
D326,222 S 5/1992 McAtarian
D354,906 S 1/1995 Lane, Jr. et al.
D363,604 S * 10/1995 Koenig et al. D3/312
D386,698 S 11/1997 Giardiello
5,779,052 A 7/1998 Woodford et al.
6,083,584 A 7/2000 Smith et al.
D429,459 S 8/2000 Berman
D436,847 S 1/2001 Berman
D440,868 S 4/2001 Berman
D442,078 S 5/2001 Fuquen
D446,445 S 8/2001 Croft et al.
D450,574 S 11/2001 Campbell
D452,144 S 12/2001 Tedeschi et al.
D452,817 S 1/2002 Berman
D454,457 S 3/2002 Ou-Young
D454,487 S 3/2002 Bell et al.
D462,897 S 9/2002 Amundson
D463,266 S 9/2002 Zappa
D463,738 S 10/2002 Jones
D463,974 S 10/2002 Berman
D465,726 S 11/2002 Tet
D466,003 S 11/2002 Jones et al.
D468,630 S 1/2003 Ambrose
D469,120 S 1/2003 Maloney
D471,090 S 3/2003 Jones
D473,131 S 4/2003 Berman
D473,132 S 4/2003 Berman

D475,614 S 6/2003 Jones
D475,915 S 6/2003 Lawrie et al.
D477,992 S 8/2003 Dennis et al.
D486,730 S 2/2004 Rasmussen
D522,374 S 6/2006 Nova et al.
D542,152 S 5/2007 Klis
D545,689 S 7/2007 Peel
D551,567 S 9/2007 Berman
D558,594 S 1/2008 Kirou et al.
D558,601 S 1/2008 Berman

OTHER PUBLICATIONS

U.S. Appl. No. 29/287,526, Friedland, et. al.
U.S. Appl. No. 29/287,522, Shields.
U.S. Appl. No. 29/287,539, Beyer, et. al.
U.S. Appl. No. 29/287,535, Friedland, et. al.
U.S. Appl. No. 29/287,515, Friedland, et. al.
U.S. Appl. No. 29/287,510, Friedland, et. al.
U.S. Appl. No. 29/287,525, Friedland, et. al.
U.S. Appl. No. 29/287,512, Friedland, et. al.
U.S. Appl. No. 29/287,513, Friedland, et. al.
U.S. Appl. No. 29/287,518, Beyer, et. al.
U.S. Appl. No. 29/287,520, Friedland, et. al.
U.S. Appl. No. 29/287,523, Friedland, et. al.
U.S. Appl. No. 29/287,536, Friedland, et. al.
U.S. Appl. No. 29/287,514, Friedland, et. al.
U.S. Appl. No. 29/287,528, Friedland, et. al.
U.S. Appl. No. 29/287,511, Friedland, et. al.
U.S. Appl. No. 29/287,538, Friedland, et. al.
U.S. Appl. No. 29/287,537, Friedland, et. al.
U.S. Appl. No. 29/287,521, Friedland, et. al.
U.S. Appl. No. 29/287,524, Friedland, et. al.
U.S. Appl. No. 11/840,825, Slusarczyk, et. al.

* cited by examiner

FIG.1

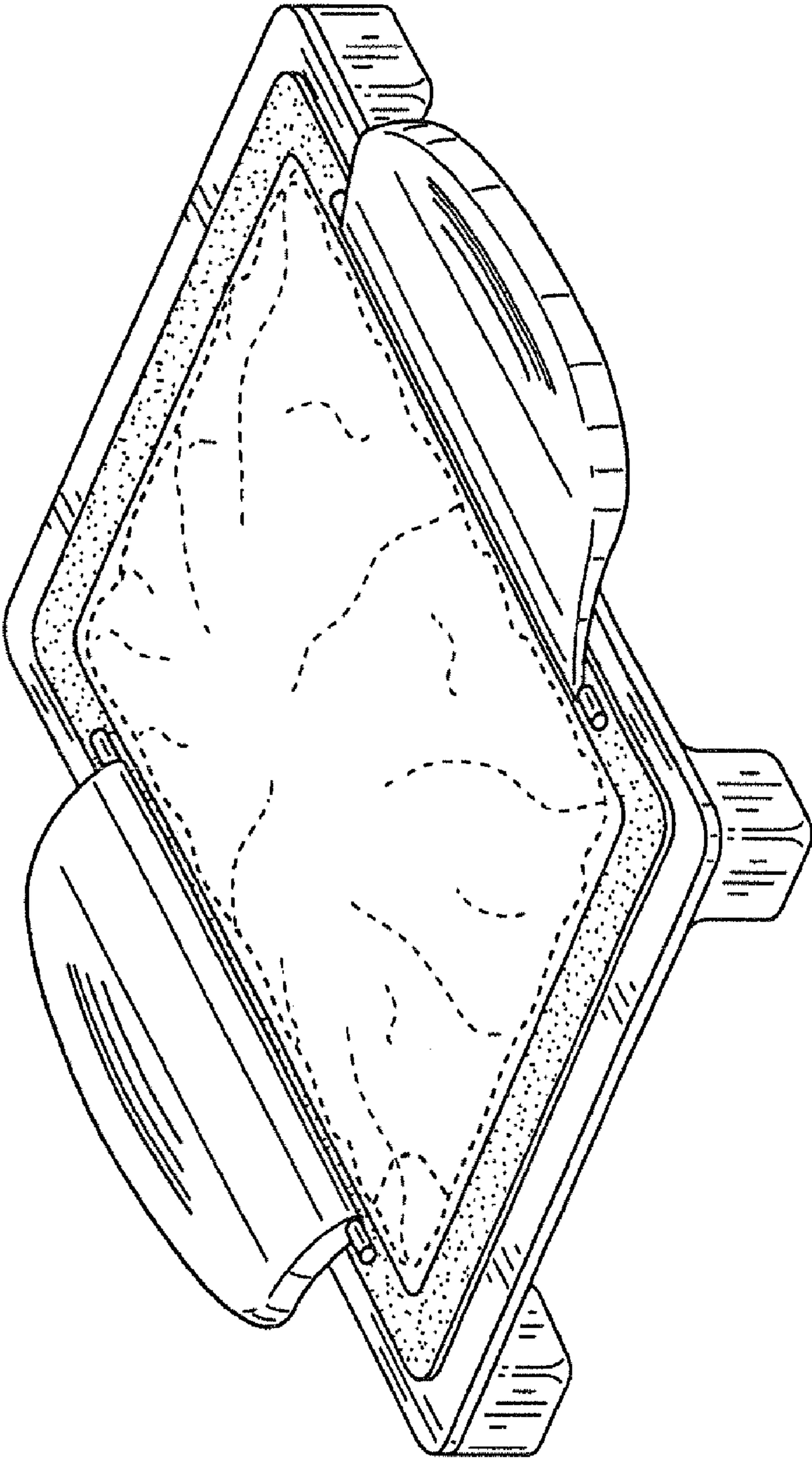


FIG.2

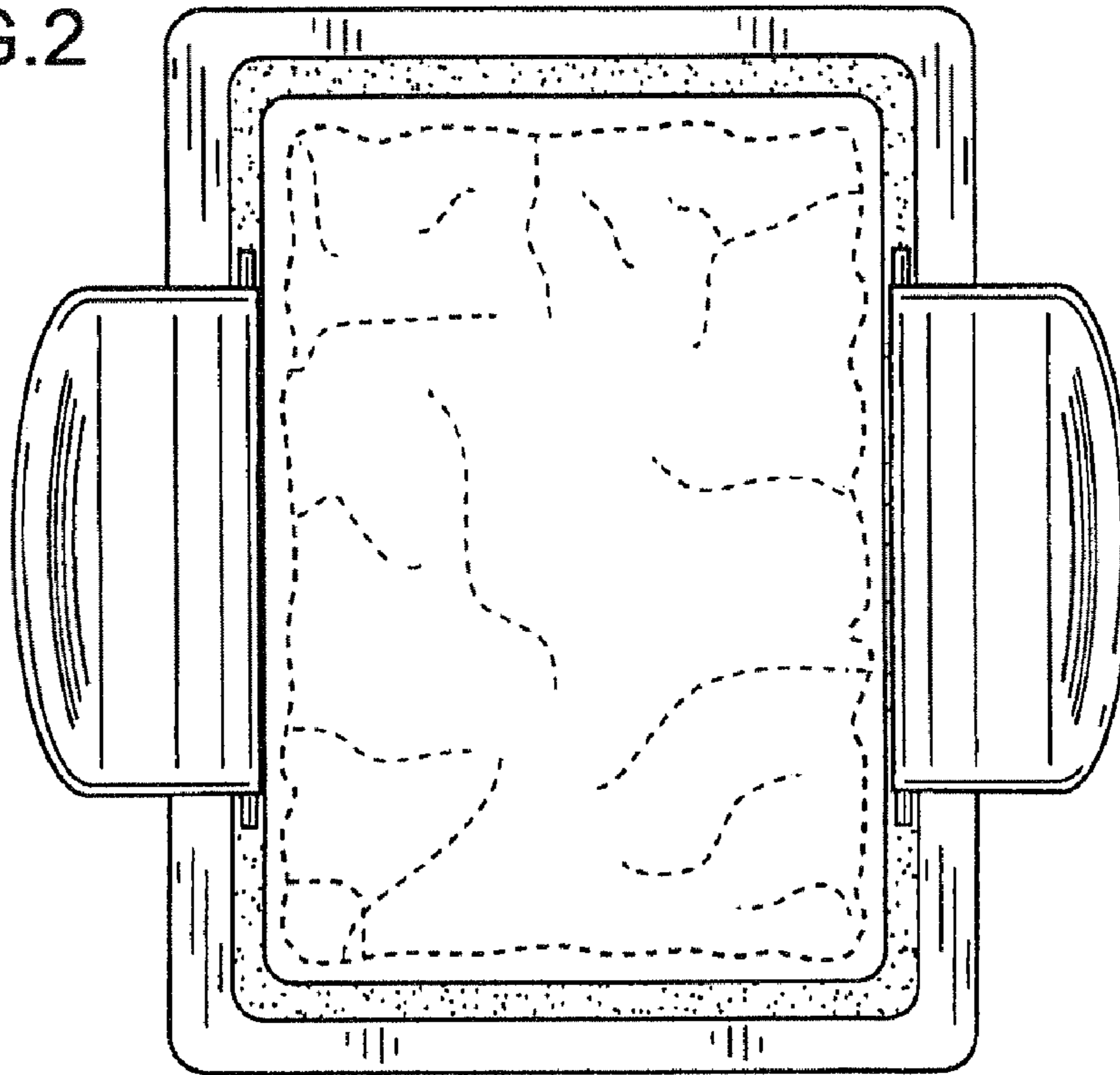


FIG.3

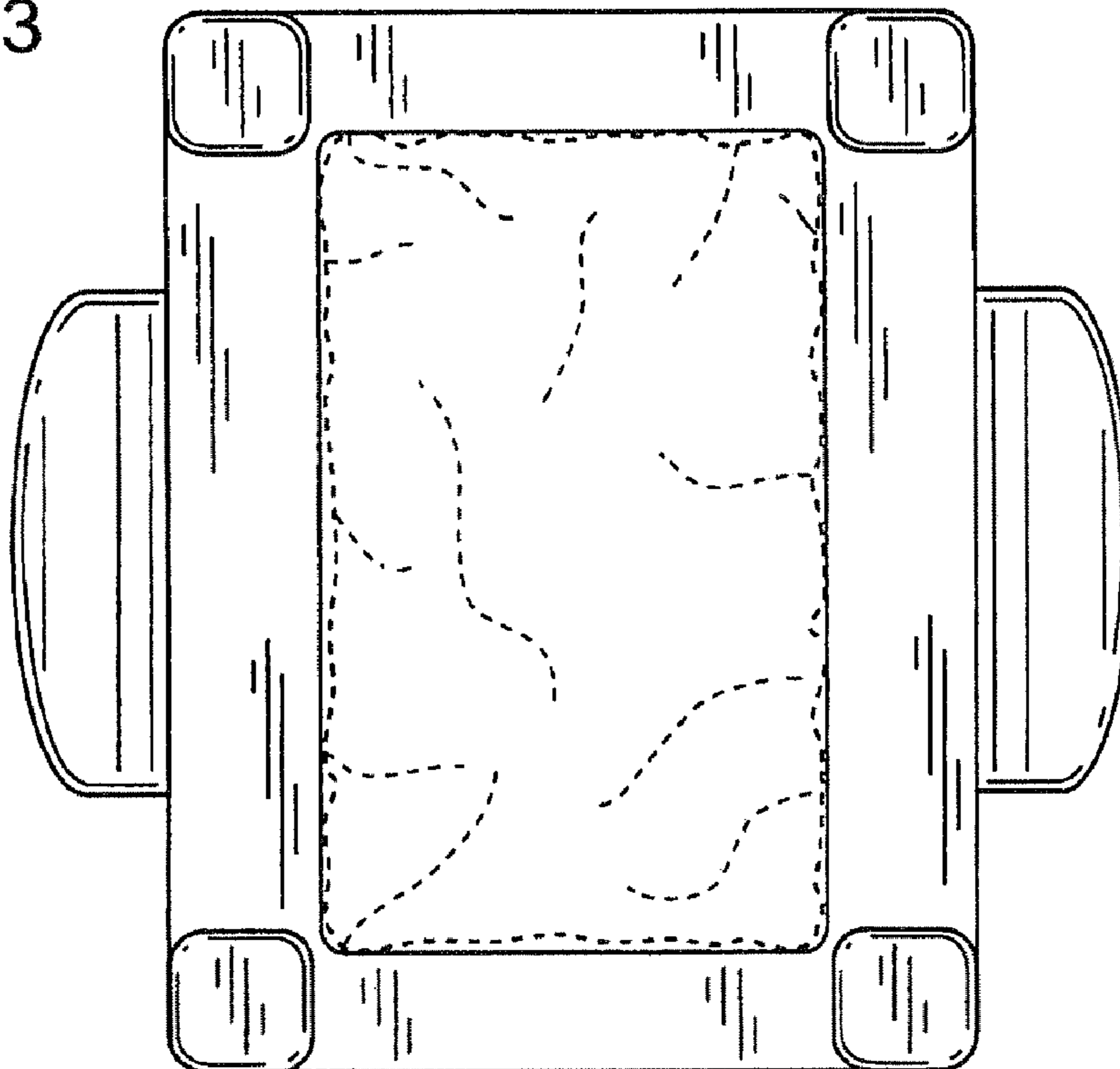


FIG.4

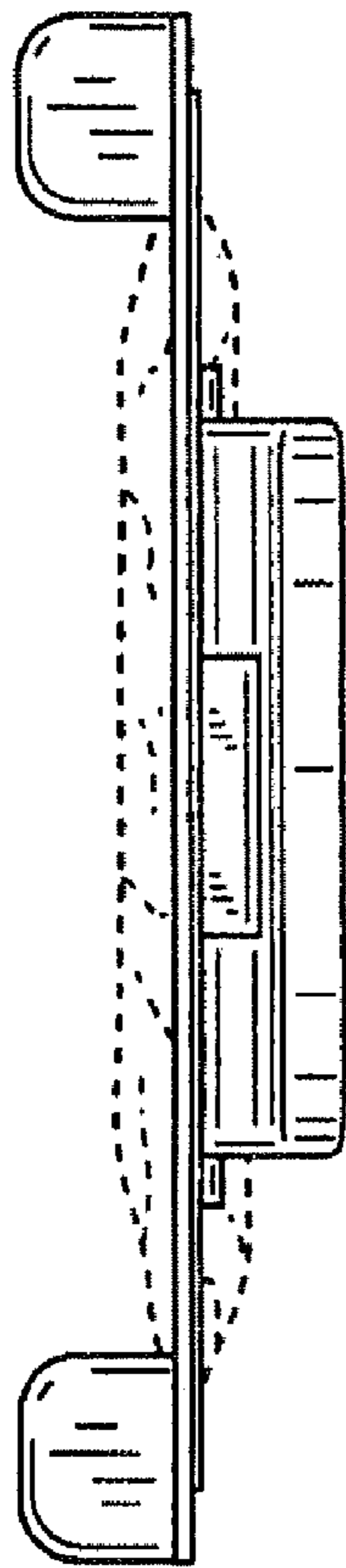


FIG.5

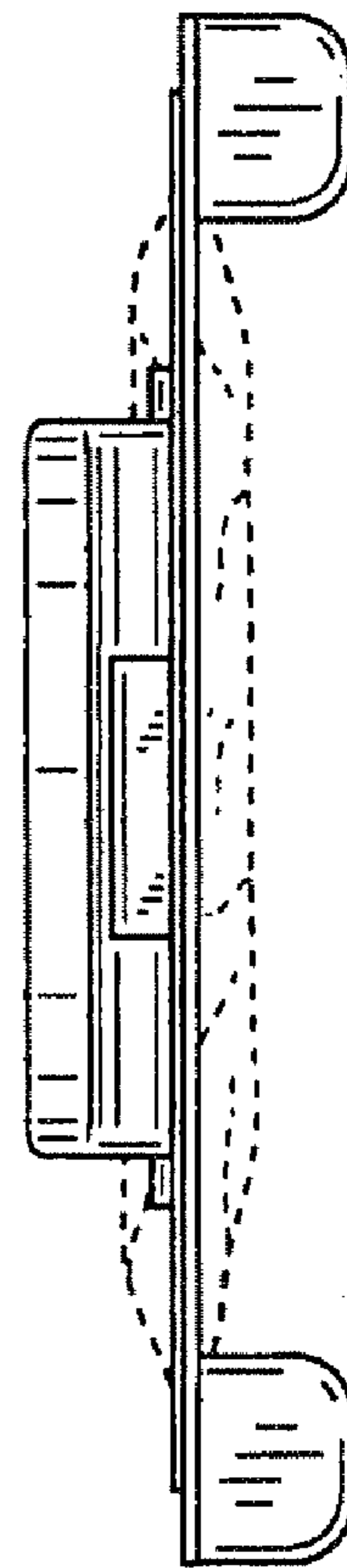


FIG.6

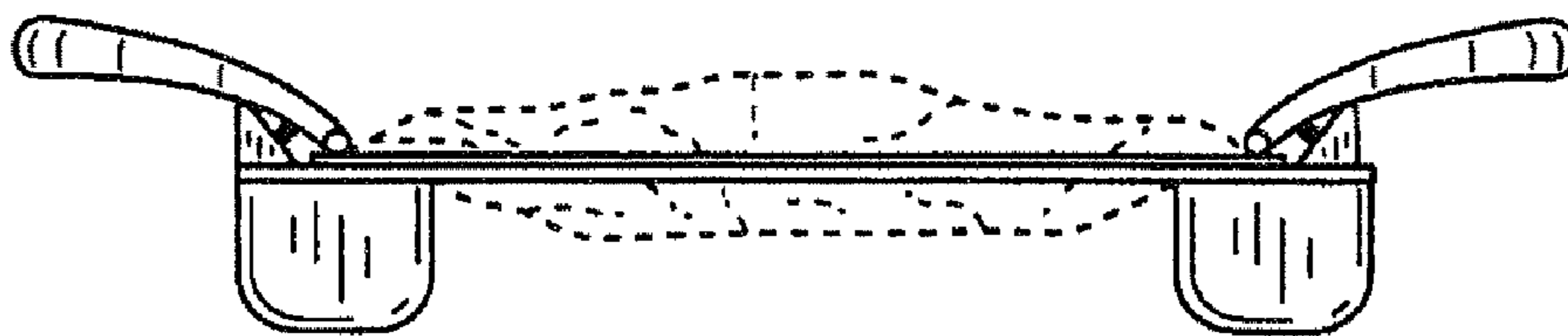


FIG.7

