



US00D585733S

(12) **United States Design Patent**
Feibelman

(10) **Patent No.:** **US D585,733 S**

(45) **Date of Patent:** **** Feb. 3, 2009**

(54) **ANTI-THEFT BOX**

(75) Inventor: **Jeffrey A. Feibelman**, Providence, RI
(US)

(73) Assignee: **Display Technologies, Inc.**, Johnston, RI
(US)

(**) Term: **14 Years**

(21) Appl. No.: **29/317,056**

(22) Filed: **Apr. 22, 2008**

(51) **LOC (9) Cl.** **09-03**

(52) **U.S. Cl.** **D9/423; D9/418**

(58) **Field of Classification Search** D9/414-416,
D9/418-420, 423-428, 430-432, 434; D7/354,
D7/396.1, 392.1, 394, 538, 543-545, 550.1,
D7/551, 554.3, 587, 566, 584, 586, 629, 667;
220/4.22-4.24, 574, 604-608, 659, 675,
220/781-782, 793, 835, 839, DIG. 14; 206/119,
206/470, 508, 545, 806; 229/406; 219/725,
219/735

See application file for complete search history.

(56) **References Cited**

U.S. PATENT DOCUMENTS

D42,949 S * 8/1912 Perkins D9/423
2,565,939 A * 8/1951 Wriston 220/4.23
D204,504 S * 4/1966 Rye D9/423
D218,329 S * 8/1970 Weaver D28/76
D223,739 S * 5/1972 Weiss et al. D6/634
D273,051 S * 3/1984 Runyon D28/76
5,156,291 A * 10/1992 Mielke 220/254.5
D355,360 S * 2/1995 Mund et al. D9/423
5,460,266 A 10/1995 Mundorf et al.
D371,962 S * 7/1996 Petruzzi D9/423
5,601,188 A 2/1997 Dressen et al.

D387,982 S * 12/1997 Kaplan D9/423
5,860,550 A * 1/1999 Miller et al. 220/4.23
D408,145 S * 4/1999 Au D3/294
D468,529 S * 1/2003 Sabounjian D3/273
D473,712 S * 4/2003 Sabounjian D3/270
D496,585 S * 9/2004 McBride et al. D9/423
D523,743 S * 6/2006 Solowiejko et al. D9/417
D542,524 S * 5/2007 Richardson et al. D3/218
D547,175 S * 7/2007 Berg D9/523

* cited by examiner

Primary Examiner—Robert M Spear

Assistant Examiner—Susan E Krakower

(74) *Attorney, Agent, or Firm*—BainwoodHuang

(57) **CLAIM**

The ornamental design for anti-theft box, as shown.

DESCRIPTION

FIG. 1 is a top perspective view of an anti-theft box showing my new design;

FIG. 2 is a bottom perspective view of the anti-theft box of FIG. 1;

FIG. 3 is a top plan view of the anti-theft box of FIG. 1;

FIG. 4 is a bottom plan view of the anti-theft box of FIG. 1;

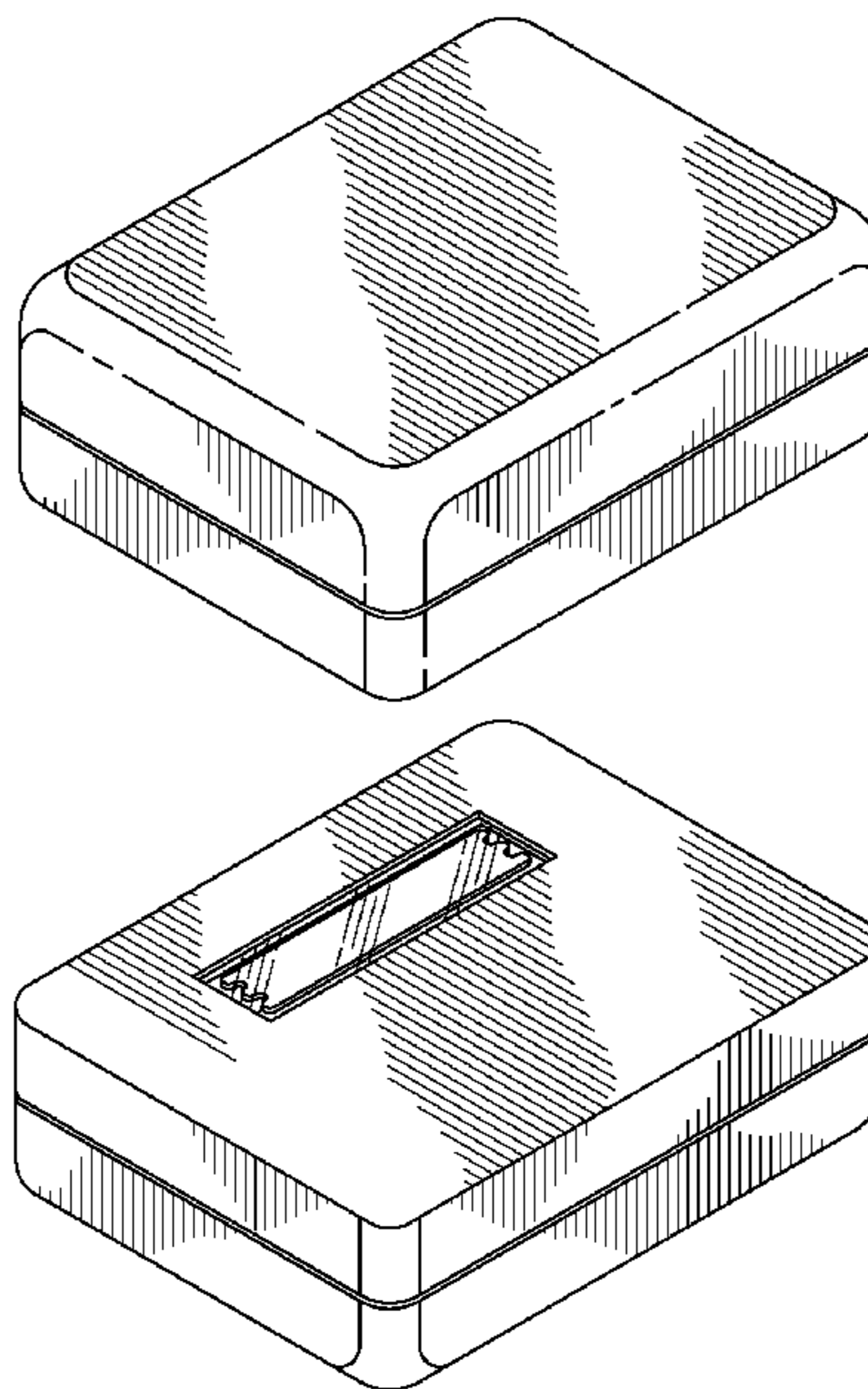
FIG. 5 is a right side elevational view of the anti-theft box of FIG. 1;

FIG. 6 is a left side elevational view of the anti-theft box of FIG. 1;

FIG. 7 is a front elevational view of the anti-theft box of FIG. 1; and,

FIG. 8 is a rear elevational view of the anti-theft box of FIG. 1.

1 Claim, 3 Drawing Sheets



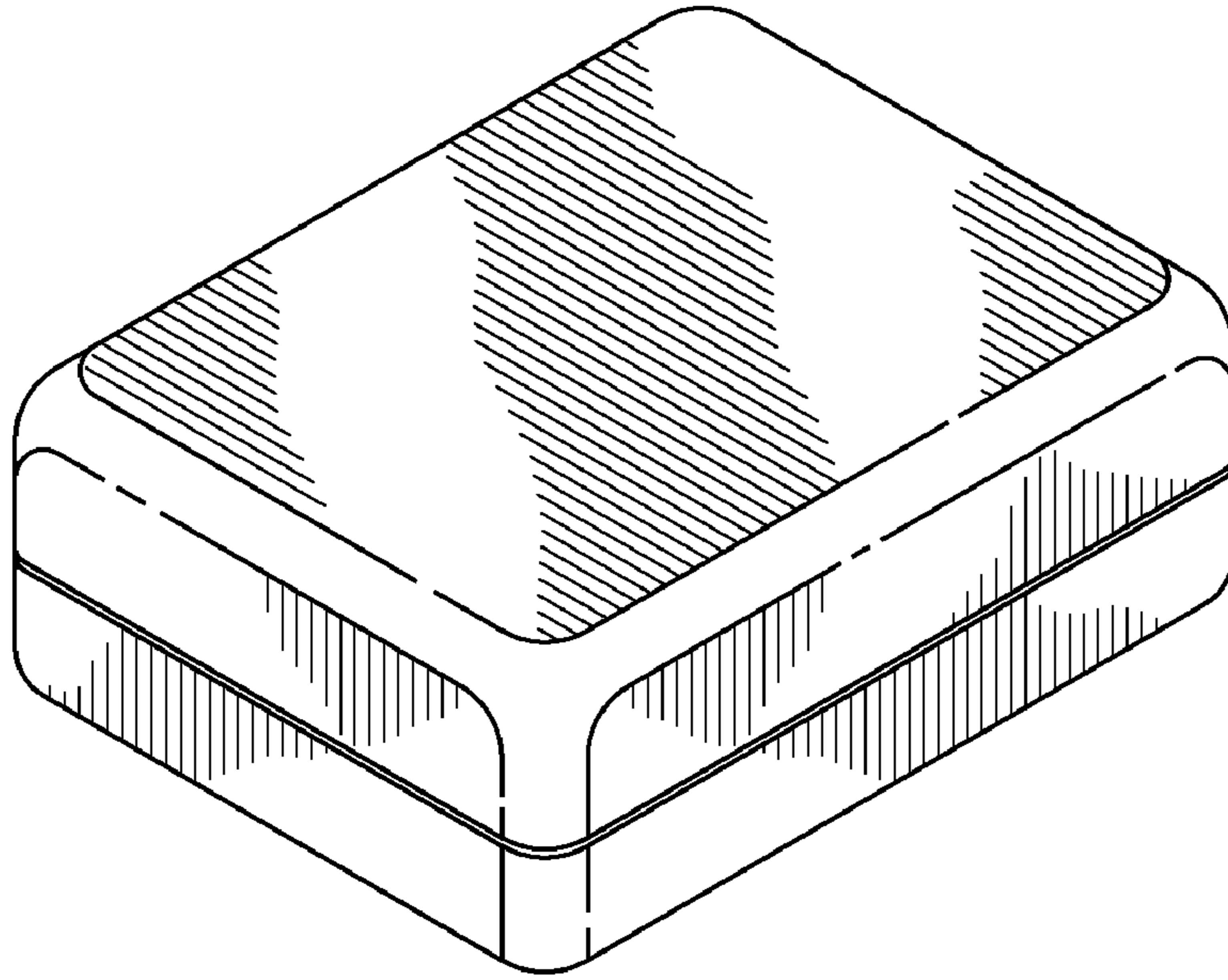


FIG. 1

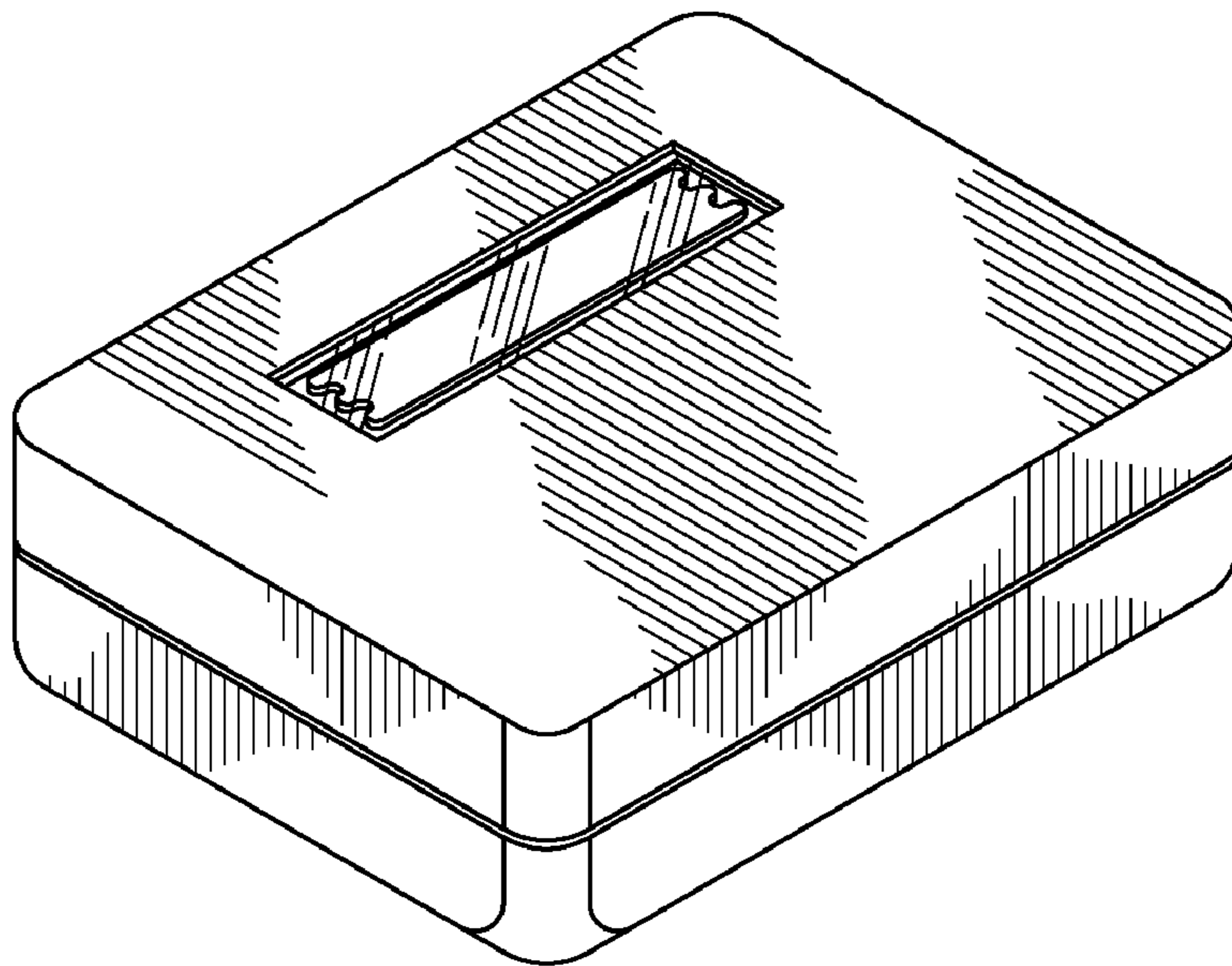


FIG. 2

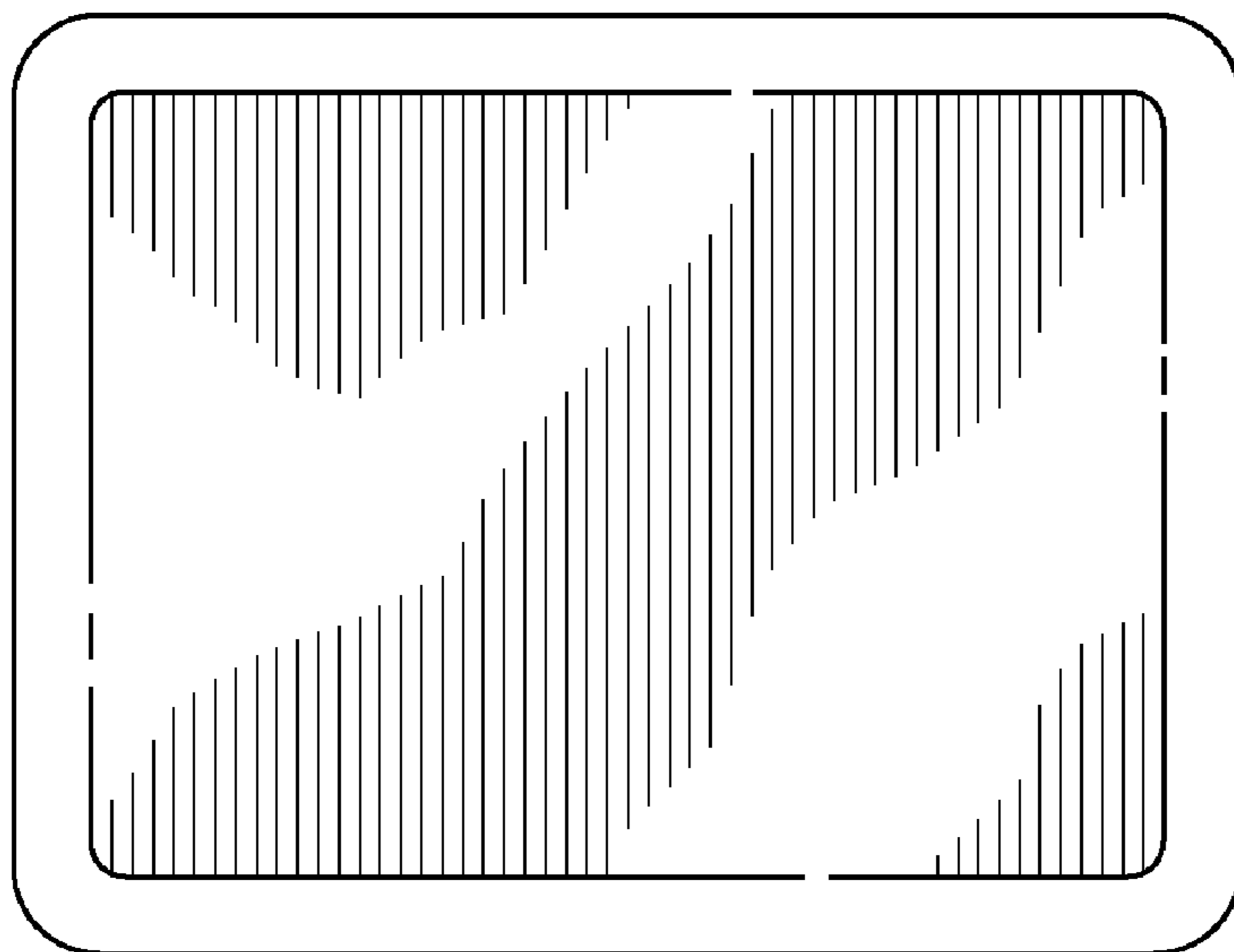


FIG. 3

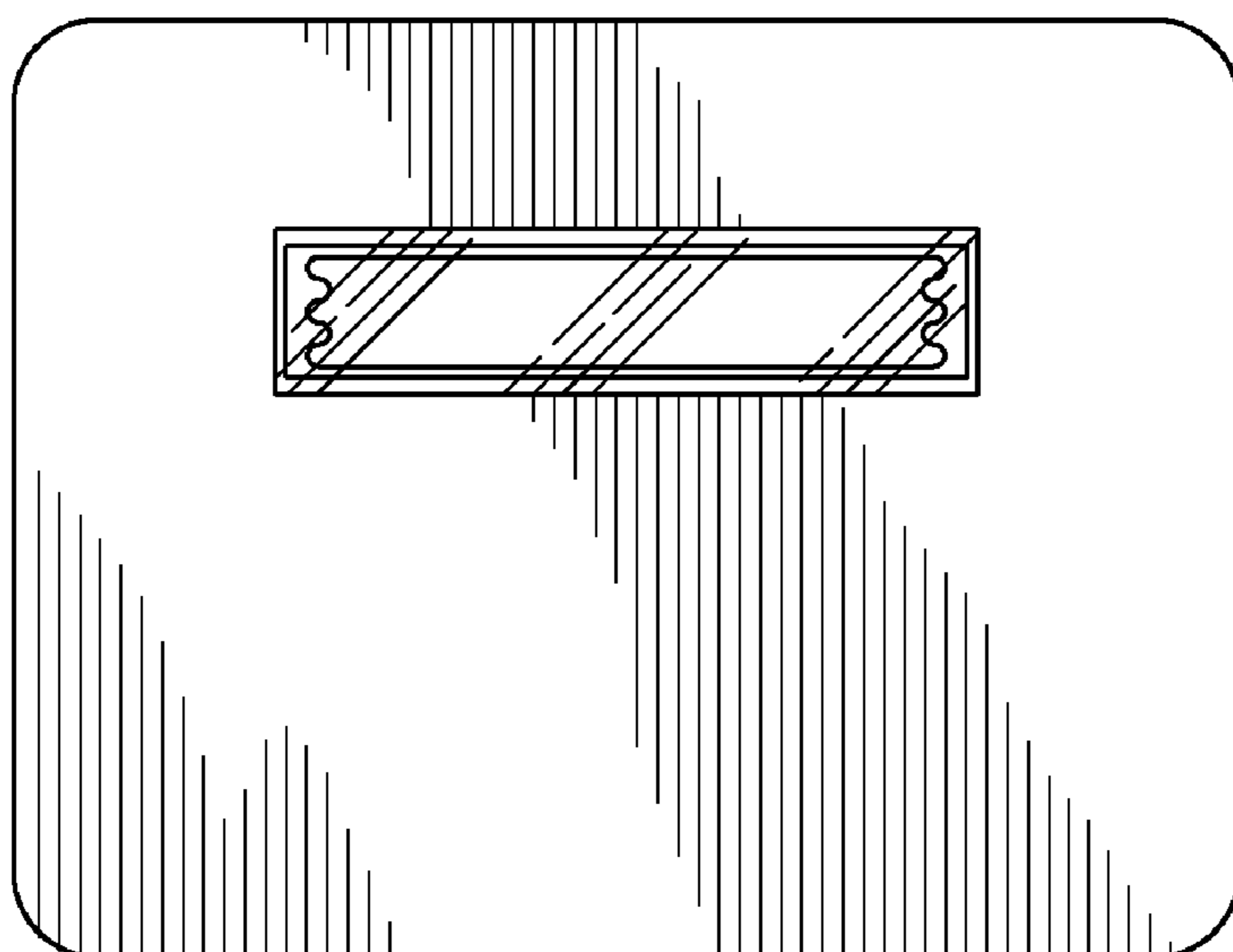


FIG. 4

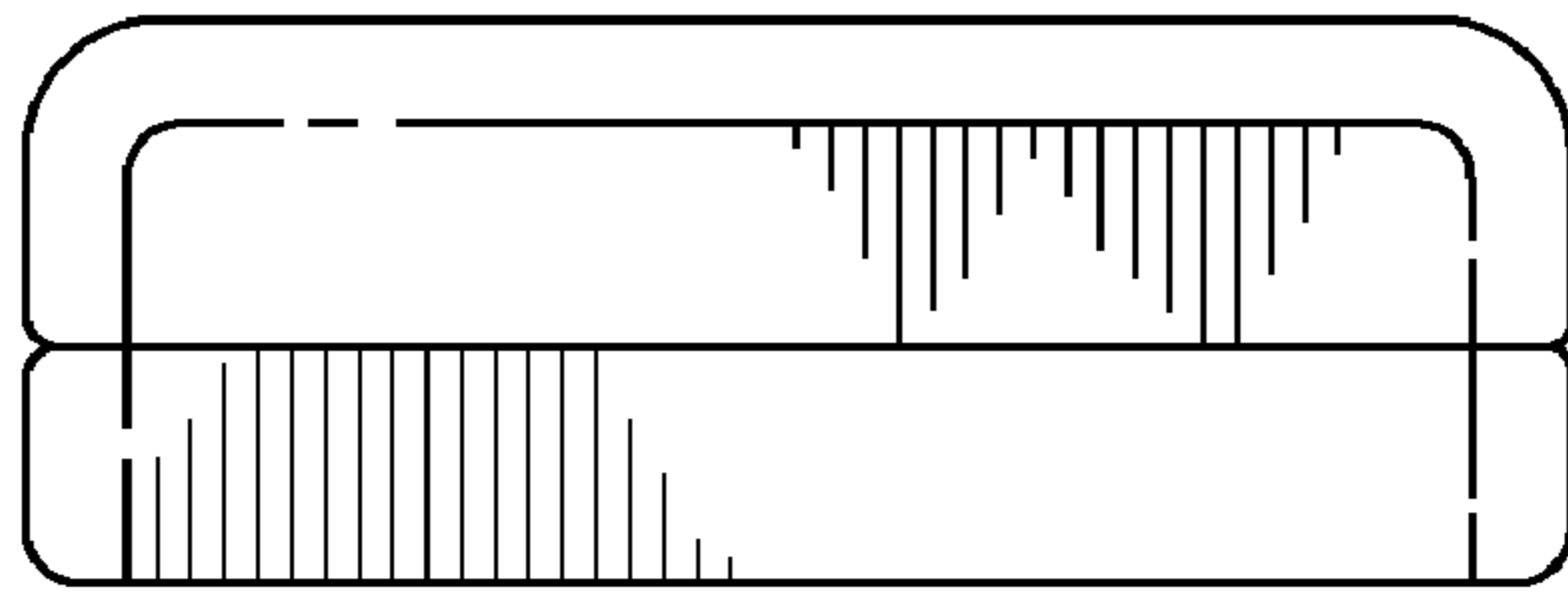


FIG. 5

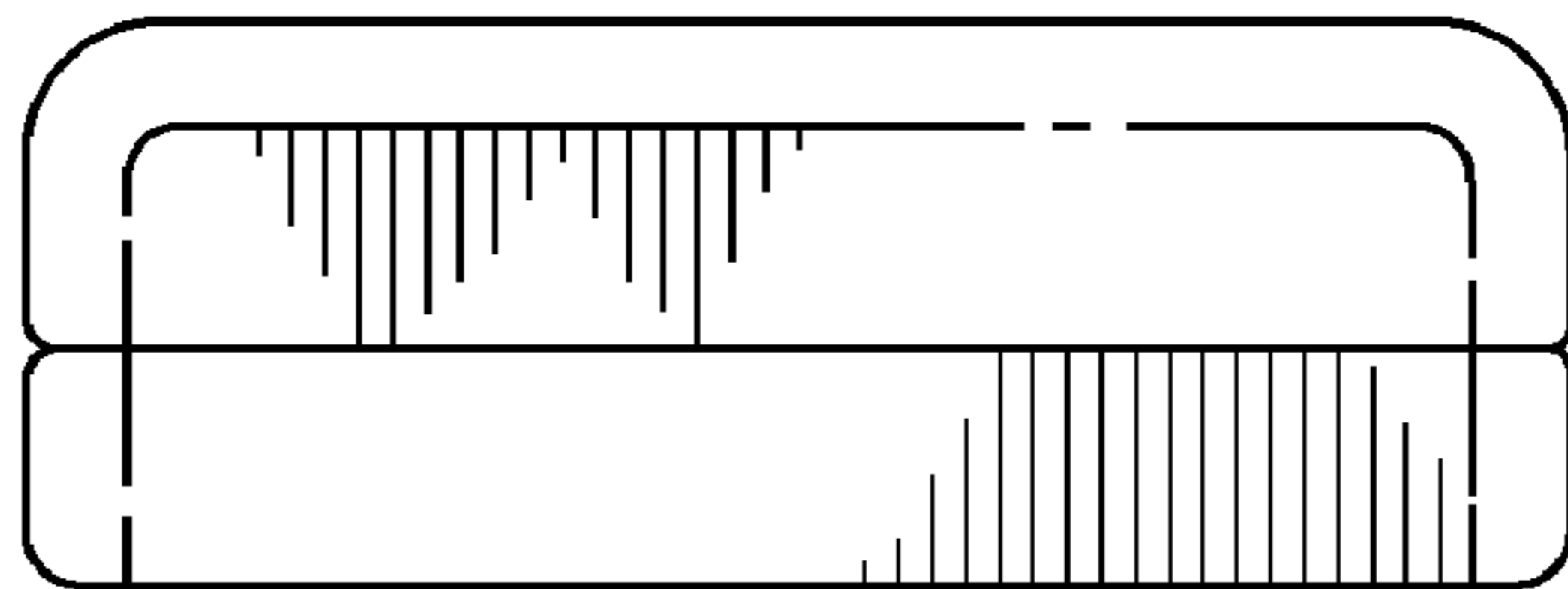


FIG. 6

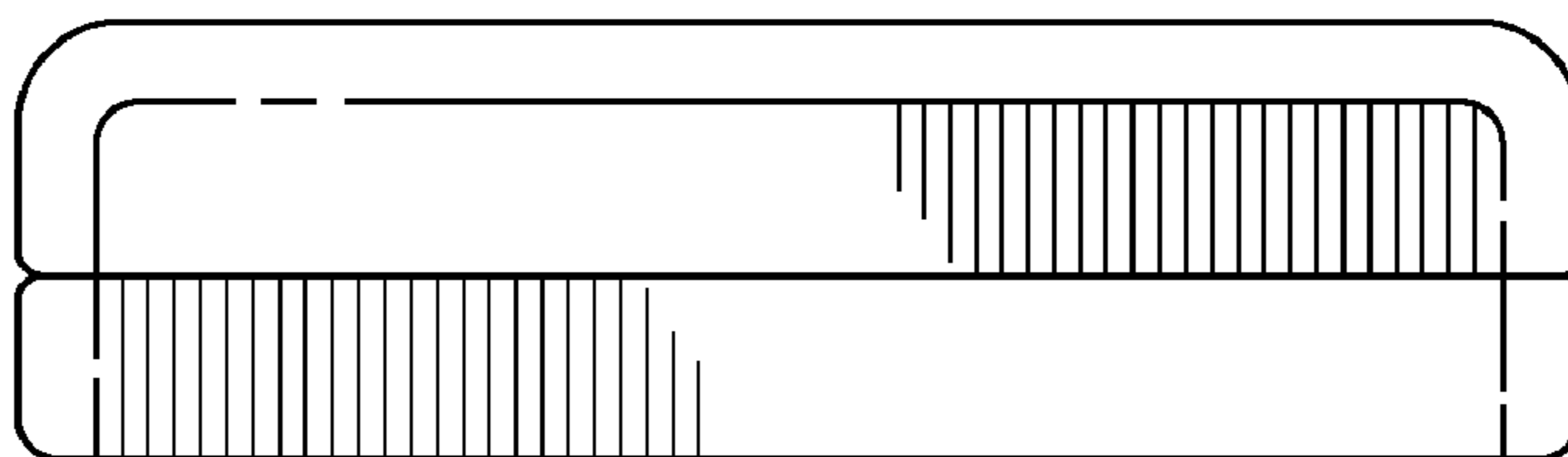


FIG. 7

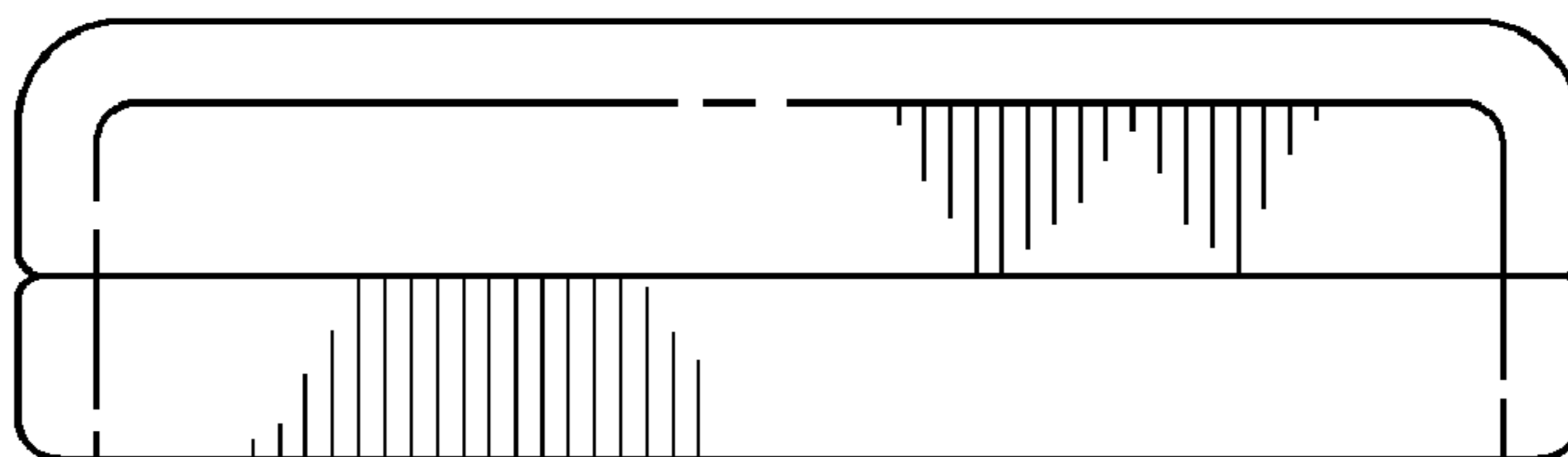


FIG. 8