



US00D585731S

(12) **United States Design Patent**
Carrillo, Sr. et al.

(10) **Patent No.:** **US D585,731 S**

(45) **Date of Patent:** **** Feb. 3, 2009**

(54) **FLANGE HEADED SCREW**

(76) Inventors: **Daniel Carrillo, Sr.**, 1658 E. Ave.-Q6,
Palmdale, CA (US) 93550; **Hector**
Carrillo, 1658 E. Ave.-Q6, Palmdale,
CA (US) 93550

(**) Term: **14 Years**

(21) Appl. No.: **29/298,648**

(22) Filed: **Dec. 10, 2007**

(51) **LOC (9) Cl.** **08-08**

(52) **U.S. Cl.** **D8/387**

(58) **Field of Classification Search** D8/387,
D8/388; 411/378, 393, 402, 411
See application file for complete search history.

(56) **References Cited**

U.S. PATENT DOCUMENTS

1,908,215	A *	5/1933	Berge	470/4
D207,123	S *	3/1967	Flood	D8/387
3,463,209	A *	8/1969	Podolsky	81/436
D455,338	S *	4/2002	Moser	D8/387
7,063,491	B2 *	6/2006	French	411/387.8

D549,088	S *	8/2007	Gallien	D8/387
D551,543	S *	9/2007	Williams et al.	D8/387
D552,976	S *	10/2007	Gaudron	D8/387
D557,131	S *	12/2007	Liu	D8/387
D567,074	S *	4/2008	Gallien	D8/387
D567,644	S *	4/2008	Liu	D8/387

* cited by examiner

Primary Examiner—Holly H Baynham

Assistant Examiner—Sheryl Lane

(74) *Attorney, Agent, or Firm*—Christie, Parker & Hale, LLP

(57) **CLAIM**

The ornamental design for flange headed screw, as shown and described.

DESCRIPTION

FIG. 1 is a perspective view of another embodiment of a flange headed screw showing our new design;

FIG. 2 is side elevated view thereof with the opposite sides being a mirror image;

FIG. 3 is a top plan view thereof; and,

FIG. 4 is a bottom view thereof.

1 Claim, 1 Drawing Sheet

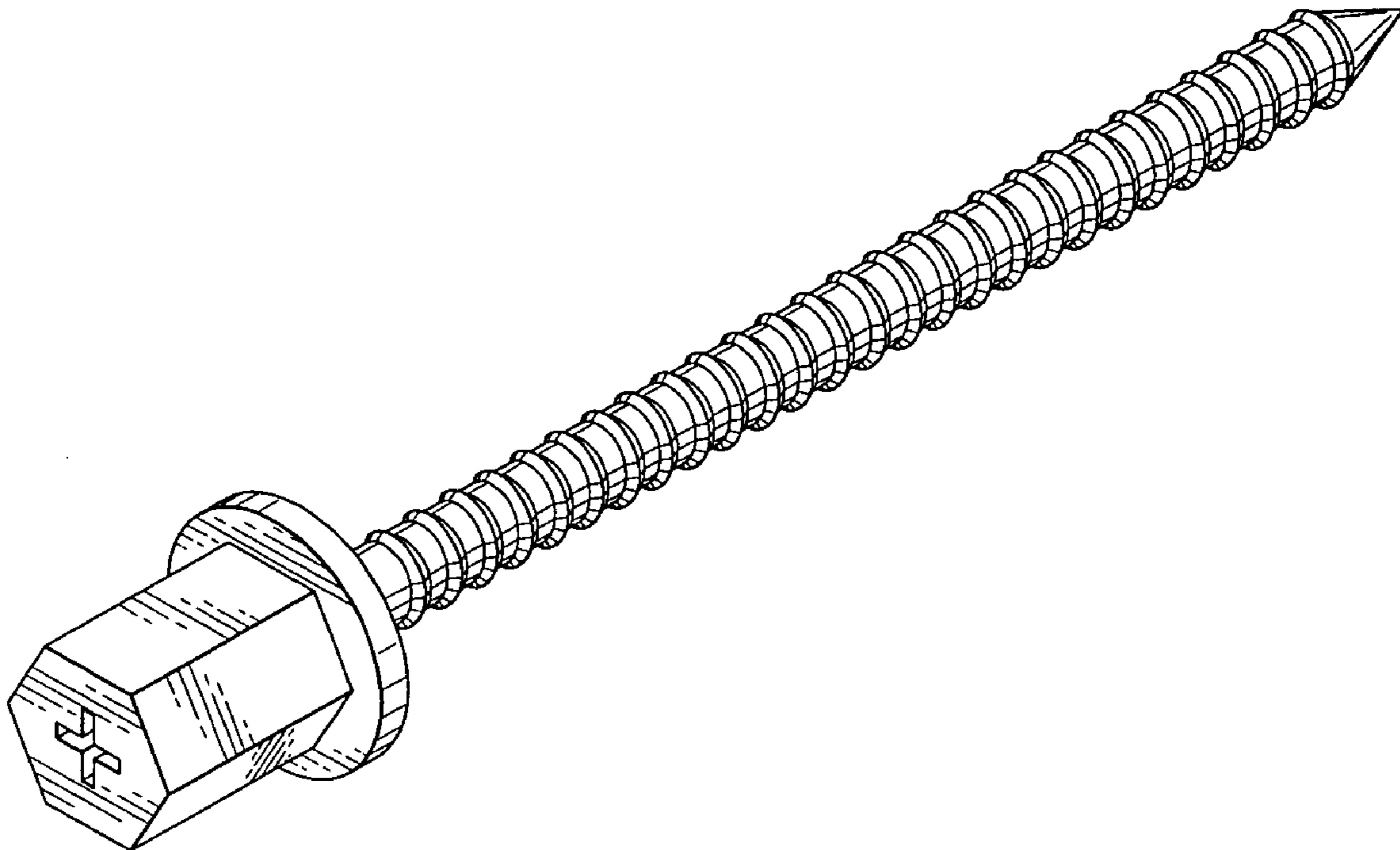


FIG. 1

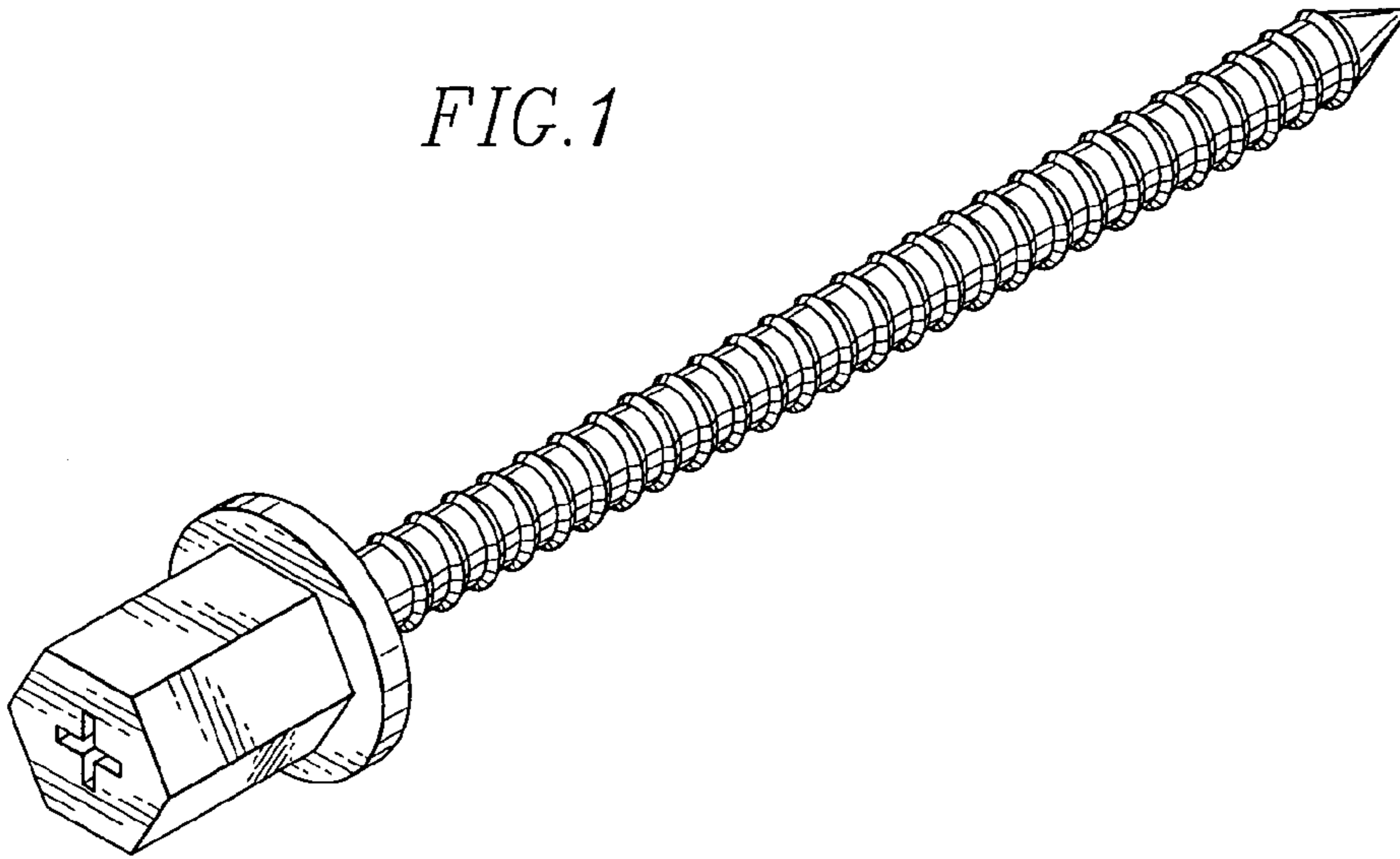


FIG. 2



FIG. 3

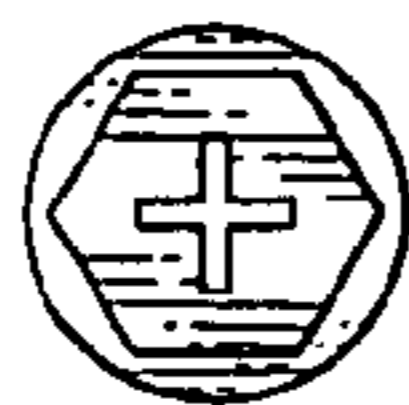


FIG. 4

