



US00D585730S

(12) **United States Design Patent**
Fernandez

(10) **Patent No.:** **US D585,730 S**
(45) **Date of Patent:** **** Feb. 3, 2009**

(54) **MOUNTING SCREW WITH SELF-DRILLING FEATURE**

4,671,419 A 6/1987 Beverly
4,693,380 A 9/1987 Muth
4,708,552 A 11/1987 Bustos et al.
D293,416 S 12/1987 Krueger

(75) Inventor: **Julio A. Fernandez**, Doonnellon, FL (US)

(Continued)

(73) Assignee: **Clairson, Inc.**, Newark, DE (US)

FOREIGN PATENT DOCUMENTS

(**) Term: **14 Years**

EP 0338872 A1 10/1989

(21) Appl. No.: **29/298,392**

(Continued)

(22) Filed: **Dec. 4, 2007**

OTHER PUBLICATIONS

(51) **LOC (9) Cl.** **08-08**

Reissue U.S. Appl. No. 11/014,663, filed Dec. 16, 2004 (Remmers).

(52) **U.S. Cl.** **D8/387**

(Continued)

(58) **Field of Classification Search** D8/387;
411/387.1, 387.8, 387.3, 144, 378, 380, 403,
411/429

Primary Examiner—Holly H Baynham
Assistant Examiner—Sheryl Lane
(74) *Attorney, Agent, or Firm*—Harness, Dickey & Pierce, P.L.C.

See application file for complete search history.

(56) **References Cited**

(57) **CLAIM**

U.S. PATENT DOCUMENTS

The ornamental design for a mounting screw with self-drilling feature, as shown and described.

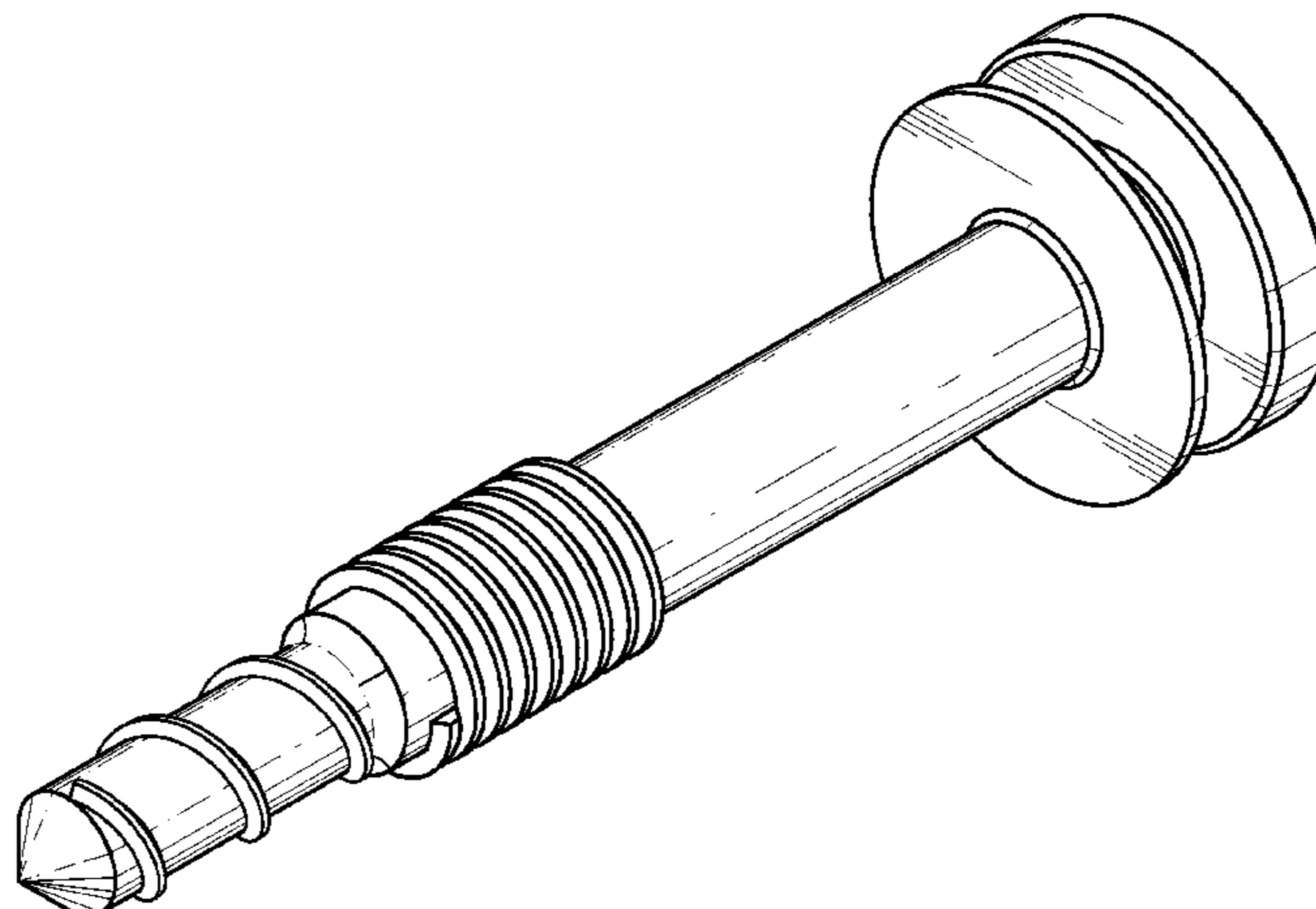
- D5,634 S 3/1872 Wunder
- D78,426 S 4/1929 Whincap
- 1,793,036 A 2/1931 Whitney
- D108,811 S 3/1938 Snyder
- 2,266,274 A 12/1941 Schroeder
- 2,441,721 A 5/1948 Schroeder
- 3,499,541 A 3/1970 Mackie
- 3,563,182 A 2/1971 MacFarlane et al.
- 3,640,389 A 2/1972 Snyder
- D227,742 S 7/1973 Logsdon
- 3,760,744 A 9/1973 Cruckshank
- D228,852 S 10/1973 Vogelhuber et al.
- 3,998,170 A 12/1976 Gordon
- D244,668 S 6/1977 Tegner
- 4,098,480 A 7/1978 Neumann
- 4,125,050 A * 11/1978 Schwartzman et al. ... 411/387.8
- 4,155,312 A 5/1979 Thorkildson
- 4,523,722 A 6/1985 Cohen et al.
- D279,959 S 8/1985 Nimmo et al.
- 4,533,056 A 8/1985 Krikorian
- 4,548,327 A 10/1985 Kilkelly
- 4,603,781 A 8/1986 Ryan, Jr.
- 4,646,998 A 3/1987 Pate

DESCRIPTION

FIG. 1 is a front perspective view of a mounting screw with self-drilling feature, showing my design;
FIG. 2 is a back perspective view thereof;
FIG. 3 is a front view thereof;
FIG. 4 is a back view thereof;
FIG. 5 is a top view thereof;
FIG. 6 is a bottom view thereof;
FIG. 7 is a left side view thereof; and,
FIG. 8 is a right side view thereof.

The details shown in broken lines are for illustrative purposes only and form no part of the claimed design.

1 Claim, 7 Drawing Sheets



US D585,730 S

U.S. PATENT DOCUMENTS

4,732,284 A 3/1988 Remmers
D295,182 S 4/1988 Remmers
4,735,325 A 4/1988 Remmers
D295,472 S 5/1988 Remmers
4,781,349 A 11/1988 Remmers
4,783,035 A 11/1988 Remmers
D299,212 S 1/1989 Murphy
D299,436 S 1/1989 Muth
4,795,041 A 1/1989 Remmers
4,838,451 A 6/1989 Arkell et al.
D305,272 S 12/1989 Remmers
D311,860 S 11/1990 Remmers
D312,389 S 11/1990 Remmers
5,074,223 A 12/1991 Remmers
5,086,936 A 2/1992 Remmers
D334,497 S 4/1993 Putty
D340,639 S 10/1993 Remmers
D348,826 S 7/1994 McCaffrey
5,326,062 A 7/1994 Remmers
5,330,063 A 7/1994 Remmers
5,351,842 A 10/1994 Remmers
D353,500 S 12/1994 Remmers
5,407,084 A 4/1995 Remmers
5,492,295 A 2/1996 Remmers
D369,293 S 4/1996 Gusdorf et al.
5,531,416 A 7/1996 Remmers
5,533,851 A 7/1996 Remmers
D373,719 S 9/1996 Lin
5,580,018 A 12/1996 Remmers
5,584,405 A 12/1996 Tunzi
D392,553 S 3/1998 Dill
5,752,610 A 5/1998 Remmers
5,755,414 A 5/1998 Remmers
D394,999 S 6/1998 Phillip
5,758,851 A 6/1998 Remmers
D402,536 S 12/1998 Cousins
D403,234 S 12/1998 Nagato
D408,175 S 4/1999 Daniels et al.
D409,866 S 5/1999 West
D411,738 S 6/1999 Raasch et al.
5,909,936 A 6/1999 Daniels et al.
5,921,412 A 7/1999 Merl
6,053,465 A 4/2000 Kluge
D423,917 S 5/2000 Remmers et al.
D427,466 S 7/2000 Remmers
D437,515 S 2/2001 Remmers et al.
6,279,467 B1 8/2001 Tiemann
6,402,108 B1 6/2002 Remmers
6,457,594 B1 10/2002 Tiemann
6,467,860 B2 10/2002 Remmers
6,494,653 B2 12/2002 Remmers
D470,398 S 2/2003 Remmers
D477,144 S 7/2003 Remmers
6,626,509 B2 9/2003 Remmers
6,669,154 B1 12/2003 Remmers
D485,109 S 1/2004 Oberhaus
D490,690 S 6/2004 Brass et al.
6,840,593 B2 1/2005 Remmers
D506,385 S 6/2005 Brown
6,915,913 B2 7/2005 Cardinell
6,953,176 B2 10/2005 Remmers
7,004,335 B2 2/2006 Remmers
7,021,730 B2 4/2006 Remmers
D522,848 S 6/2006 Nawrocki
D522,852 S 6/2006 Nawrocki
7,063,491 B2 * 6/2006 French 411/387.8

D525,811 S 8/2006 Nawrocki
D526,519 S 8/2006 Nawrocki
D526,887 S 8/2006 Remmers et al.
7,086,543 B2 8/2006 Remmers
7,090,317 B2 8/2006 Remmers
D527,559 S 9/2006 Remmers
D527,935 S 9/2006 Remmers
D531,019 S 10/2006 Plumer
D531,891 S 11/2006 Nawrocki
7,174,605 B1 2/2007 Nawrocki
7,185,772 B2 3/2007 Remmers
7,188,740 B2 3/2007 Marchetta et al.
D543,094 S 5/2007 Remmers
7,225,237 B1 5/2007 Tenereillo
D544,260 S 6/2007 Nawrocki
D544,261 S 6/2007 Nawrocki
D547,163 S 7/2007 Xayoiphonh
D547,164 S 7/2007 Xayoiphonh
D547,640 S 7/2007 Remmers
7,240,803 B2 7/2007 Stitchick et al.
D550,072 S * 9/2007 Ardern D8/387
D550,540 S 9/2007 Nawrocki
D551,062 S 9/2007 Nawrocki
D551,884 S 10/2007 Remmers
D553,485 S 10/2007 Hall
7,296,697 B2 11/2007 Costa et al.
D559,090 S 1/2008 Nawrocki
7,314,144 B2 1/2008 Stitchick et al.
D567,074 S * 4/2008 Gallien D8/387
D581,776 S * 12/2008 Yin-Feng D8/387
2002/0090278 A1 * 7/2002 Lai 411/387.8
2003/0231941 A1 * 12/2003 Kenny 411/411
2005/0109720 A1 5/2005 Marchetta
2005/0145147 A1 7/2005 Costa et al.
2005/0247651 A1 11/2005 Craft
2006/0011568 A1 1/2006 Remmers et al.
2006/0113443 A1 6/2006 Remmers
2007/0023374 A1 2/2007 Nawrocki
2007/0068887 A1 3/2007 Nawrocki
2007/0101545 A1 5/2007 Nawrocki
2007/0102604 A1 5/2007 Nawrocki
2007/0108146 A1 5/2007 Nawrocki
2007/0108148 A1 5/2007 Stitchick et al.
2007/0114197 A1 5/2007 Remmers
2007/0114348 A1 5/2007 Nawrocki
2007/0119805 A1 5/2007 Nawrocki
2007/0134072 A1 * 6/2007 Su 411/387.1
2007/0137417 A1 6/2007 Nawrocki et al.
2007/0159040 A1 7/2007 Fernandez et al.
2007/0187561 A1 8/2007 Xayoiphonh
2007/0205172 A1 9/2007 Stitchick et al.
2008/0047098 A1 2/2008 Nawrocki

FOREIGN PATENT DOCUMENTS

FR 2717994 A1 10/1995
GB 2153205 A 8/1985
GB 2180141 A 3/1987
GB 2229625 A 10/1990
JP 10002663 1/1998
WO WO 2004/056236 7/2004

OTHER PUBLICATIONS

Reissue U.S. Appl. No. 11/014,663, Remmers, filed Dec. 16, 2004.
U.S. Appl. No. 11/933,694, Nawrocki, filed Nov. 1, 2007.
U.S. Appl. No. 29/252,059, Nawrocki, filed Jan. 18, 2006.

* cited by examiner

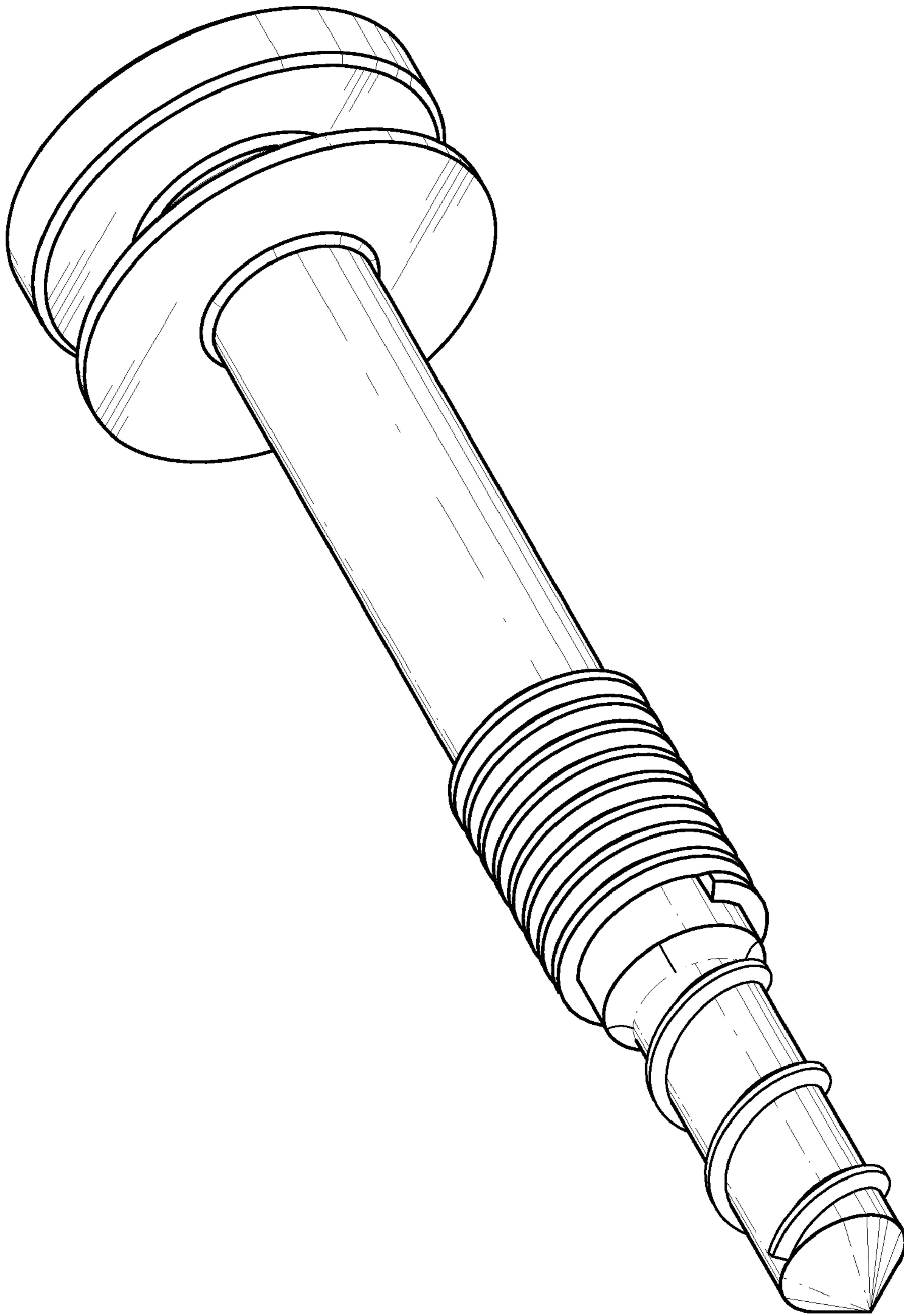


FIG. 1

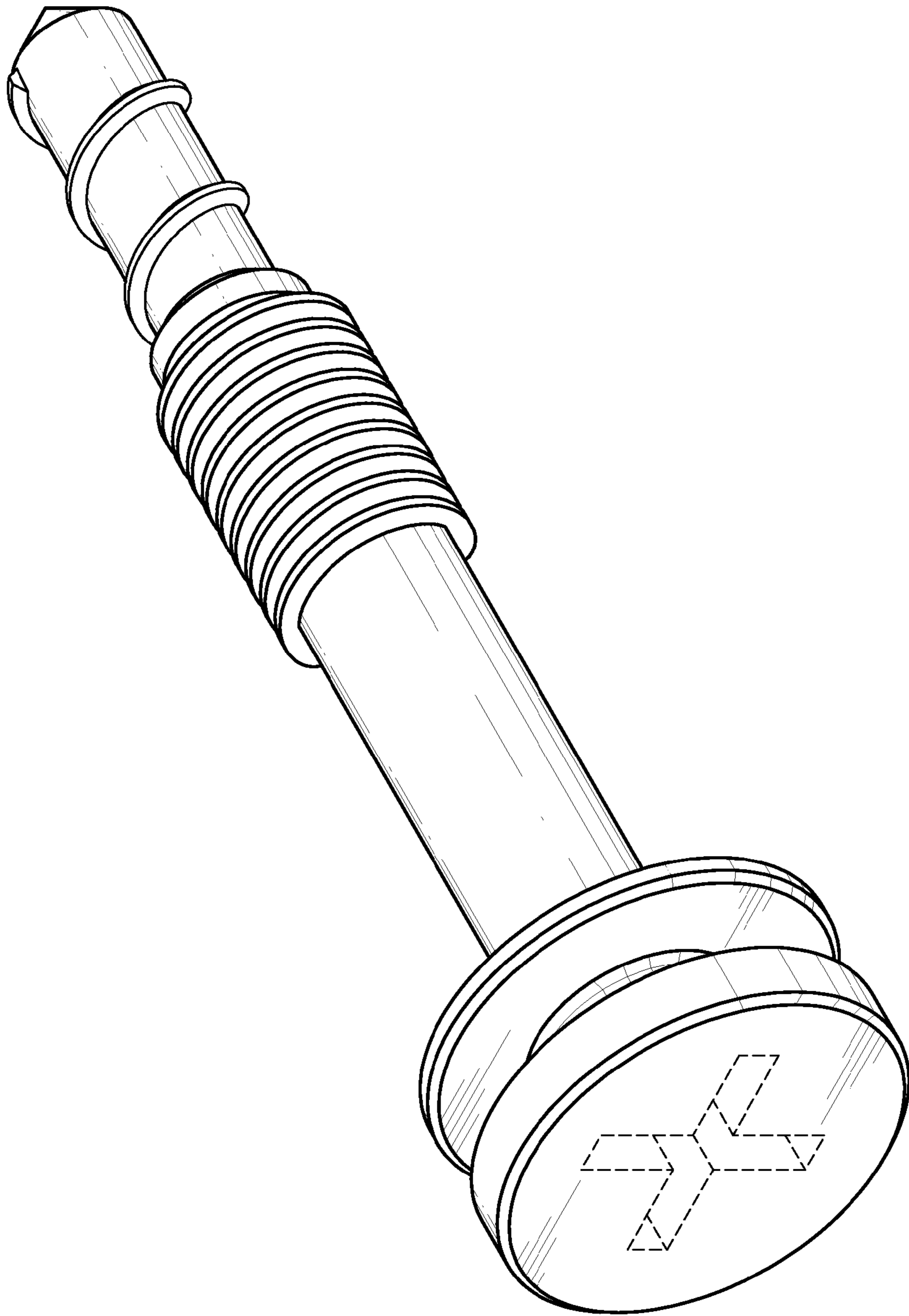


FIG. 2

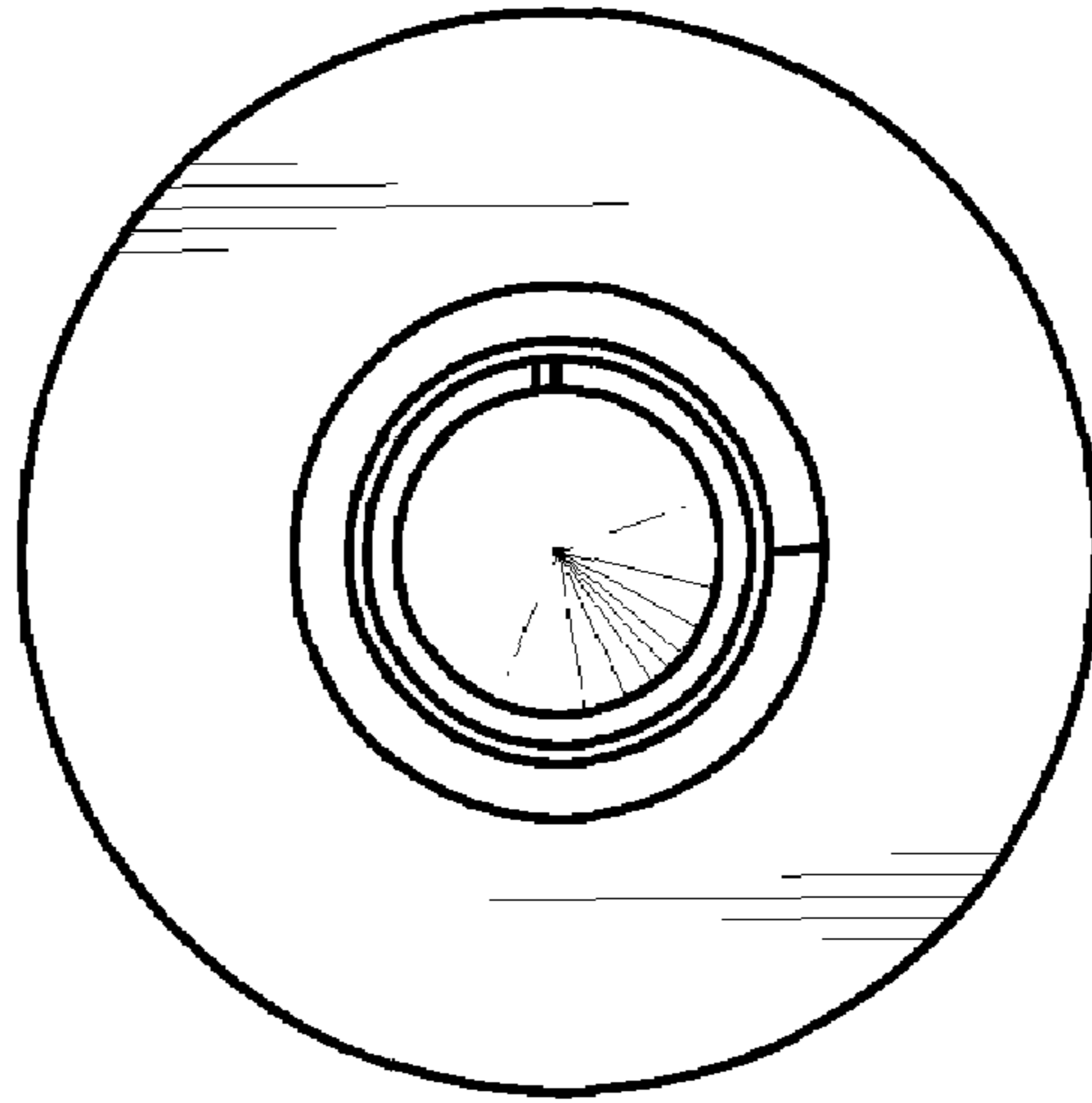


FIG. 3

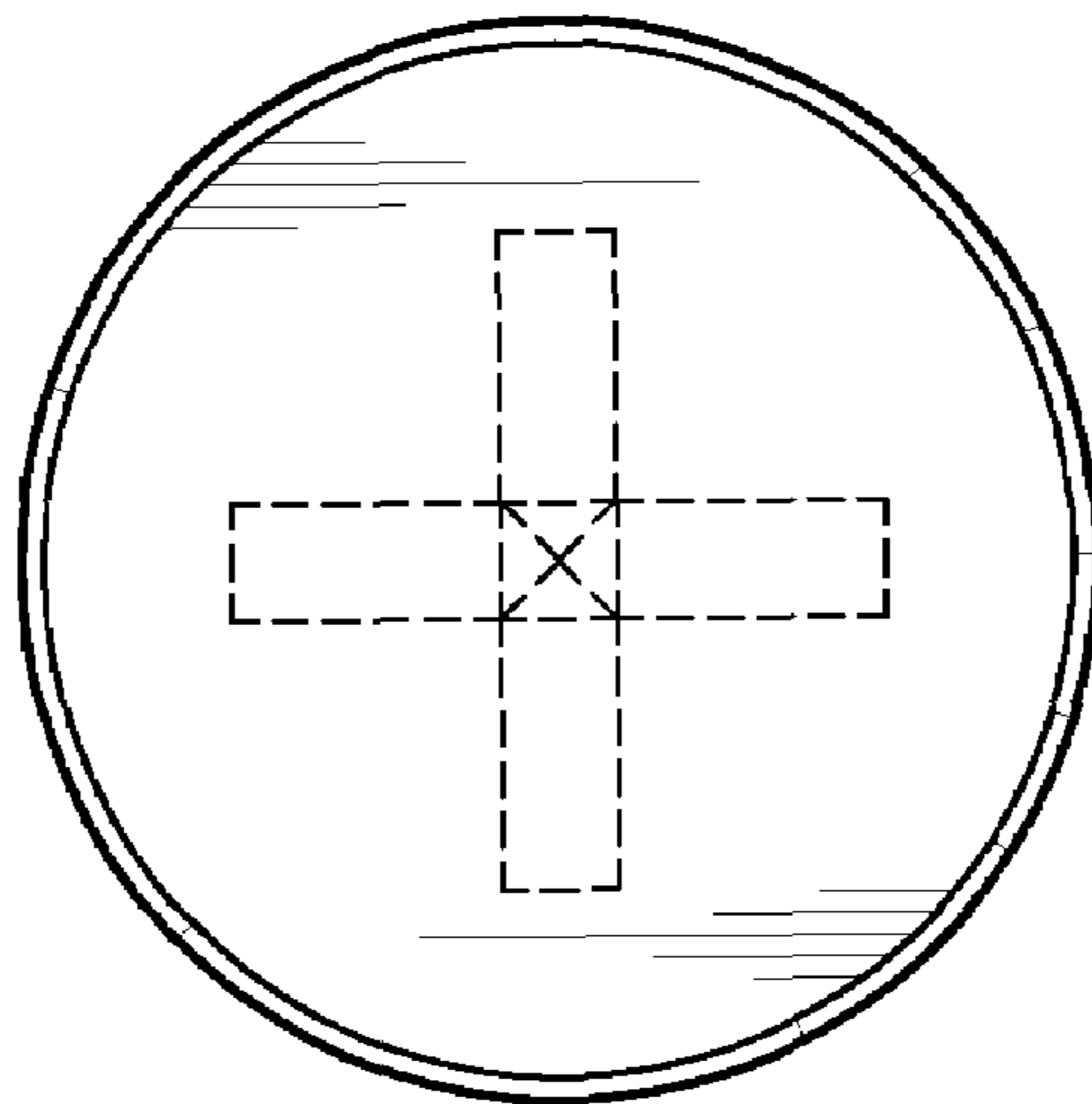


FIG. 4

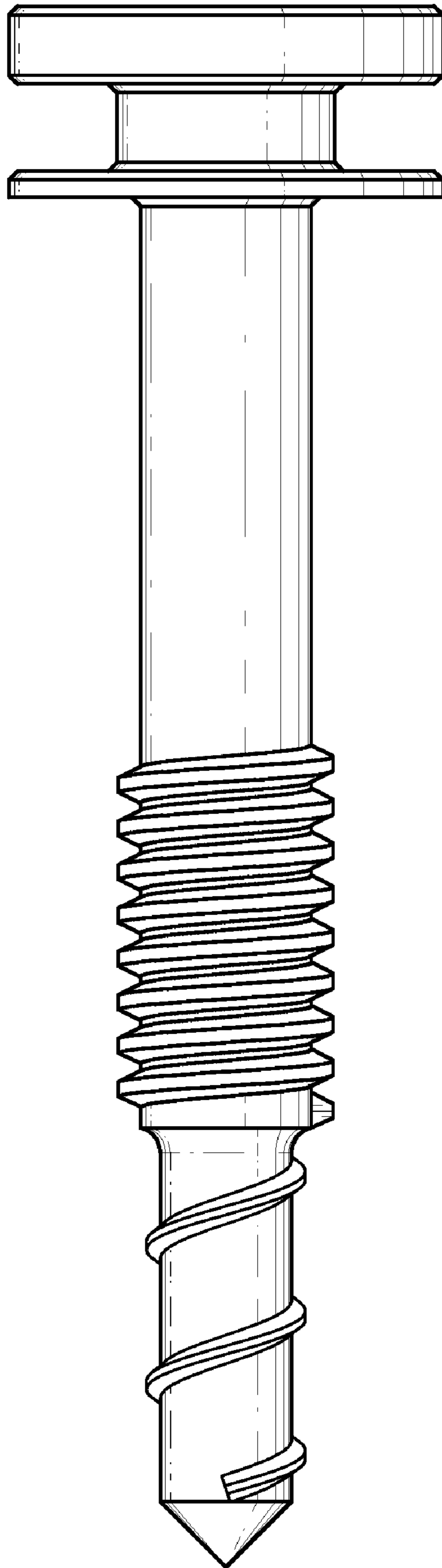


FIG. 5

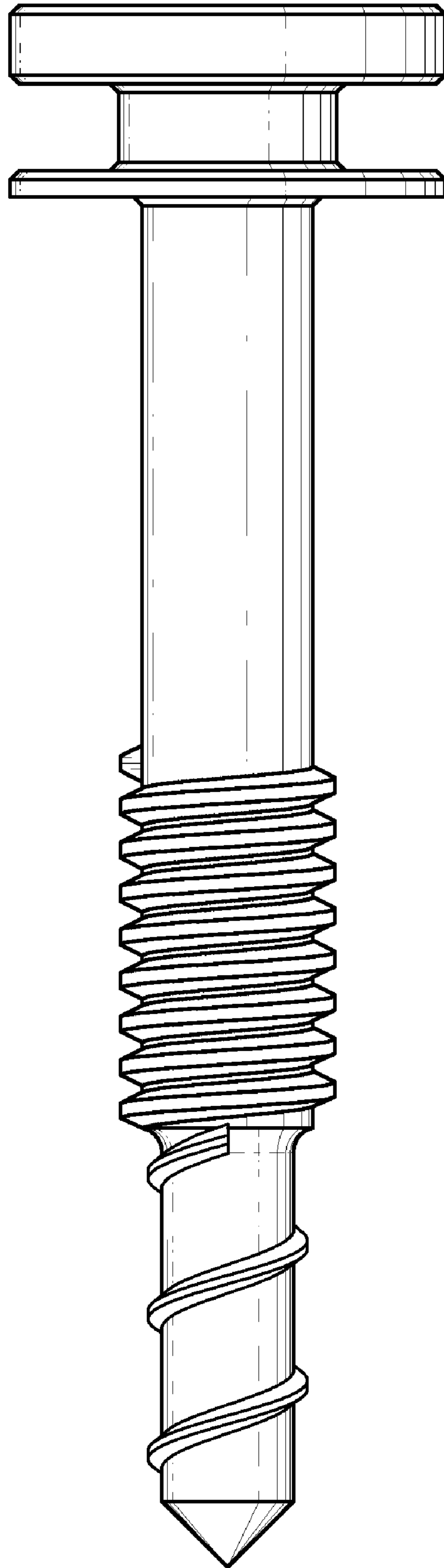


FIG. 6

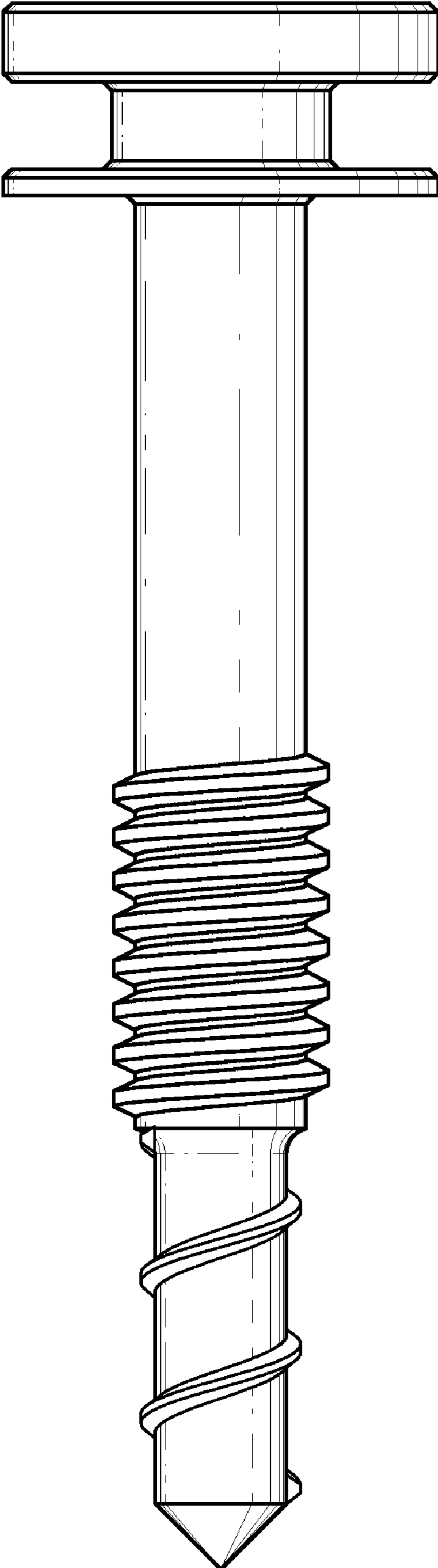


FIG. 7

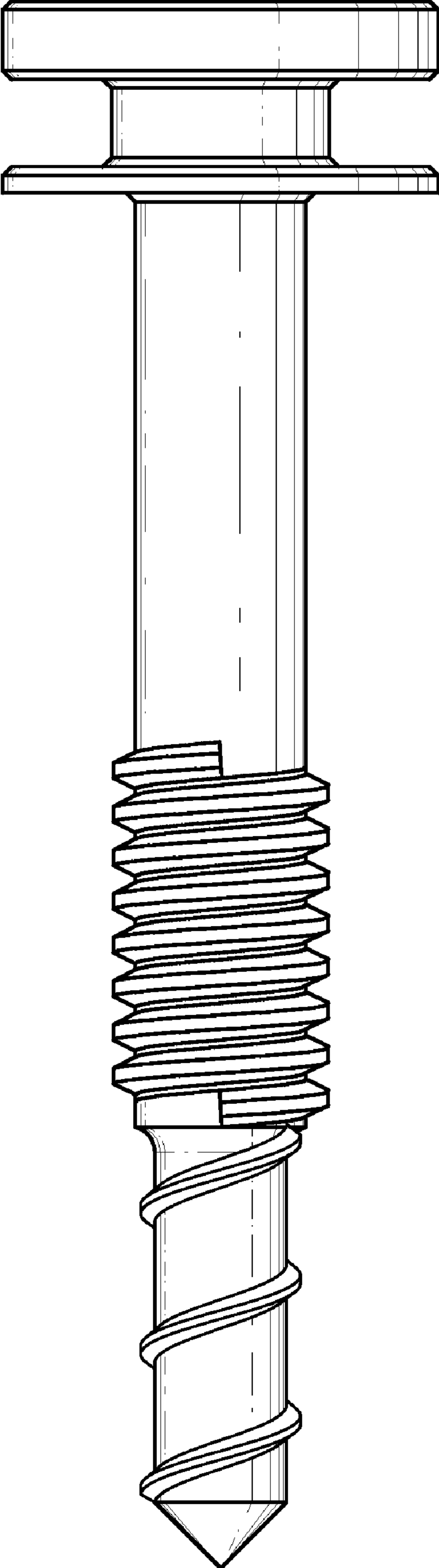


FIG. 8