



US00D585729S

(12) **United States Design Patent**
Mills et al.

(10) **Patent No.:** **US D585,729 S**
(45) **Date of Patent:** **** Feb. 3, 2009**

(54) **POND COVER FASTENER**

(75) Inventors: **James Andrew Mills**, Edmonton (CA);
Jason Jeffery Robert MacQueen,
Edmonton (CA)

(73) Assignee: **Layfield Geosynthetics & Industrial
Fabrics Ltd.**, Edmonton (CA)

(**) Term: **14 Years**

(21) Appl. No.: **29/283,799**

(22) Filed: **Aug. 23, 2007**

(51) **LOC (9) Cl.** **08-08**

(52) **U.S. Cl.** **D8/387**

(58) **Field of Classification Search** D8/382,
D8/387, 388, 384, 391; 411/402, 403, 405,
411/412, 481, 387.1, 388, 378, 393, 383,
411/411

See application file for complete search history.

(56) **References Cited**

U.S. PATENT DOCUMENTS

2,950,727	A	8/1960	Dunn	
3,564,794	A	2/1971	Price	
3,763,606	A	10/1973	Rindebong	
3,811,454	A	5/1974	Huddle	
3,862,876	A	1/1975	Graves	
4,036,244	A	7/1977	Huddle	
4,590,714	A	5/1986	Walker	
4,678,375	A	7/1987	Gagle	
4,878,322	A	11/1989	Ikeda	
5,388,314	A *	2/1995	Vella	24/555
5,400,549	A *	3/1995	Morgan	52/23
6,032,433	A	3/2000	Hatziathanasiou	
6,145,525	A	11/2000	Mooney	
6,361,249	B1	3/2002	Hodgkinson	
6,517,285	B2	2/2003	Hill	
6,564,513	B2	5/2003	Henbid	

FOREIGN PATENT DOCUMENTS

CA 2359515 A1 4/2003

* cited by examiner

Primary Examiner—Holly H Baynham

Assistant Examiner—Sheryl Lane

(74) *Attorney, Agent, or Firm*—Christensen O'Connor Johnson Kindness PLLC

(57) **CLAIM**

The ornamental design for a pond cover fastener, as shown and described.

DESCRIPTION

FIG. 1 is an upper right perspective view of a pond cover fastener;

FIG. 2 is a lower left perspective view of the pond cover fastener shown in FIG. 1;

FIG. 3 is a top view of the pond cover fastener shown in FIG. 1;

FIG. 4 is a bottom view of the pond cover fastener shown in FIG. 1;

FIG. 5 is a left side view of the pond cover fastener shown in FIG. 1;

FIG. 6 is a front view of the pond cover fastener shown in FIG. 1;

FIG. 7 is a rear view of the pond cover fastener shown in FIG. 1;

FIG. 8 is an upper perspective view of an alternative embodiment of the pond cover fastener;

FIG. 9 is an upper rear perspective view of the pond cover fastener shown in FIG. 8;

FIG. 10 is a top view of the pond cover fastener shown in FIG. 8;

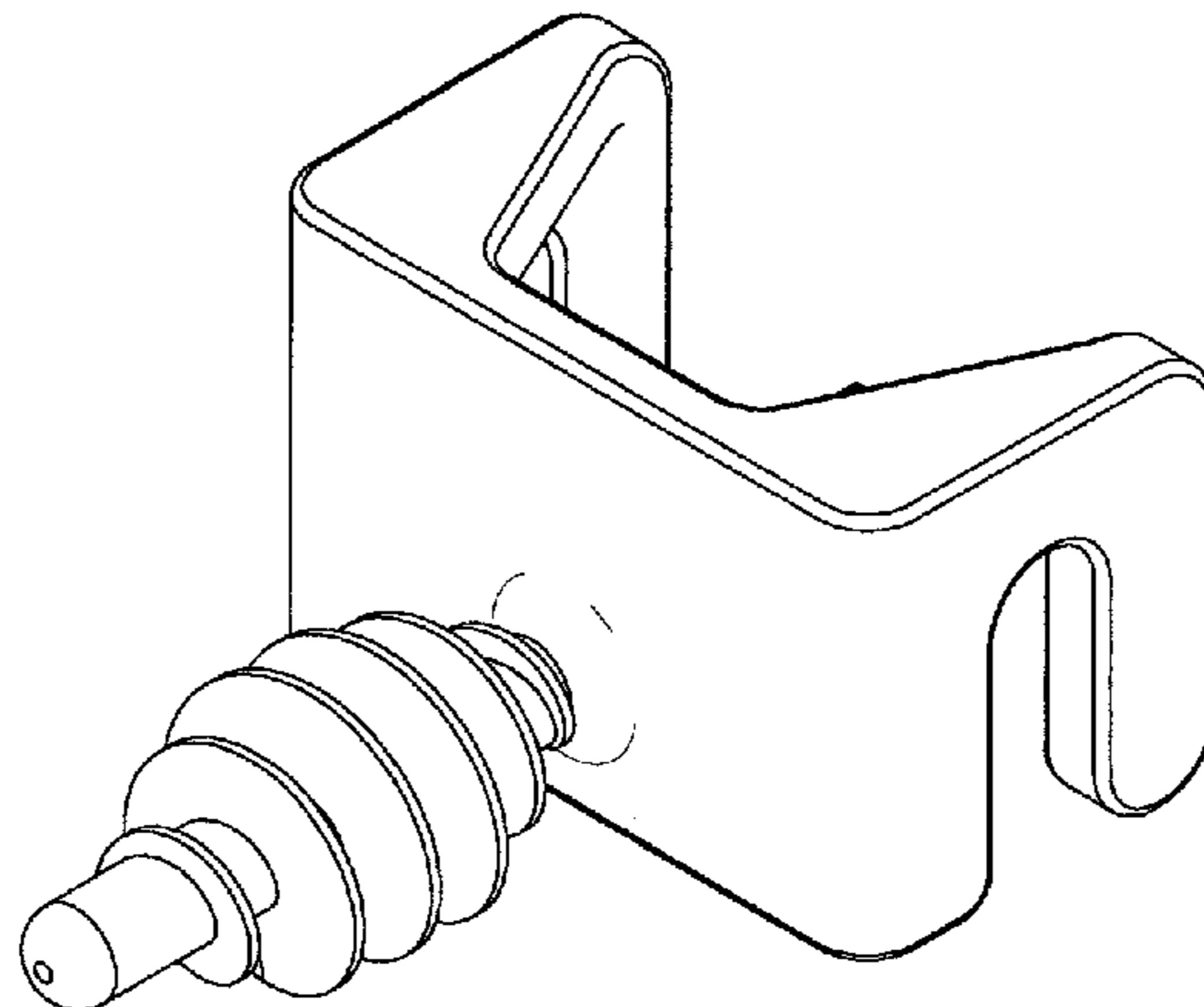
FIG. 11 is a bottom view of the pond cover fastener shown in FIG. 8;

FIG. 12 is a left side view of the pond cover fastener shown in FIG. 8;

FIG. 13 is a front view of the pond cover fastener shown in FIG. 8; and,

FIG. 14 is a rear view of the pond cover fastener shown in FIG. 8.

1 Claim, 6 Drawing Sheets



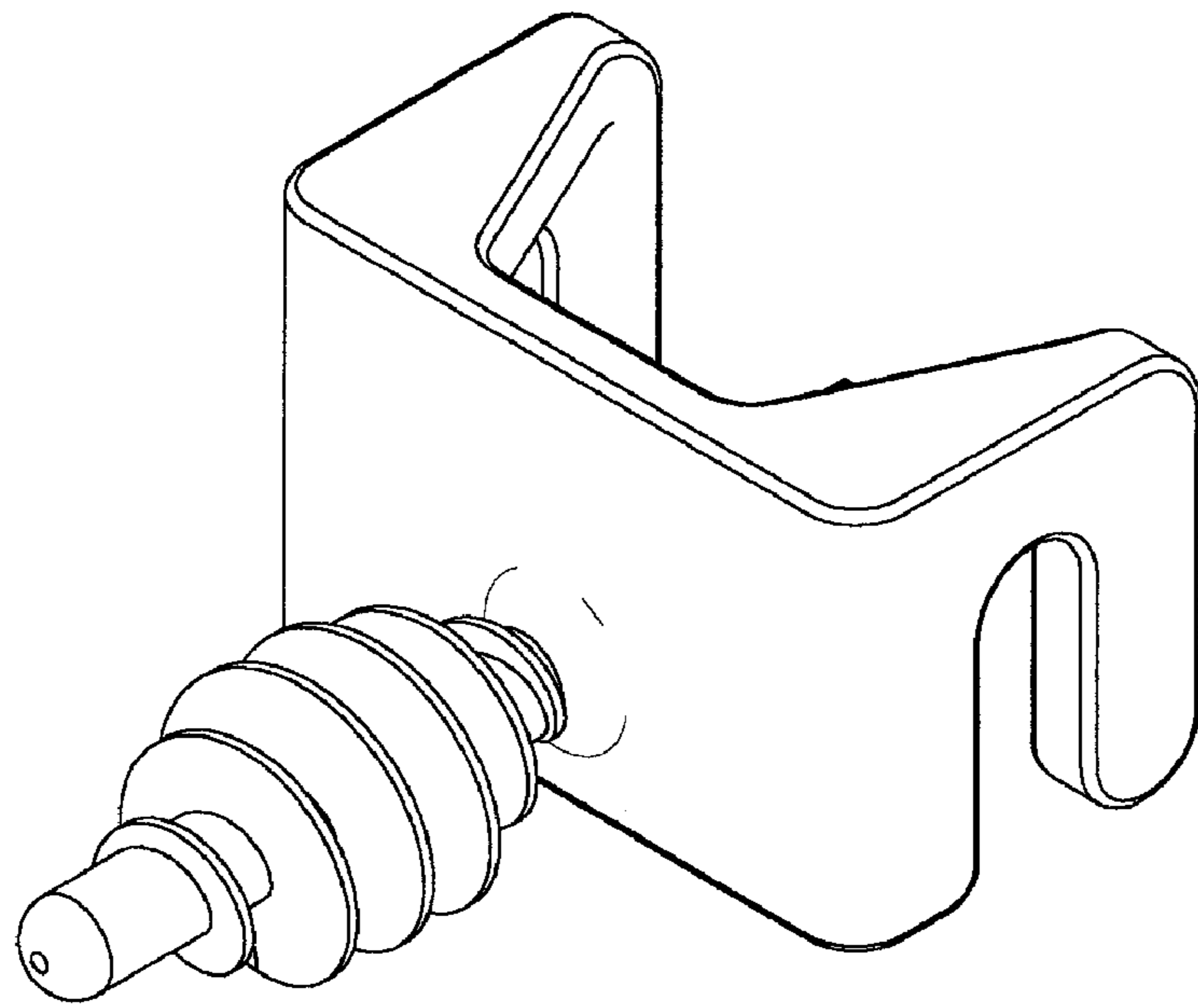


Fig. 1.

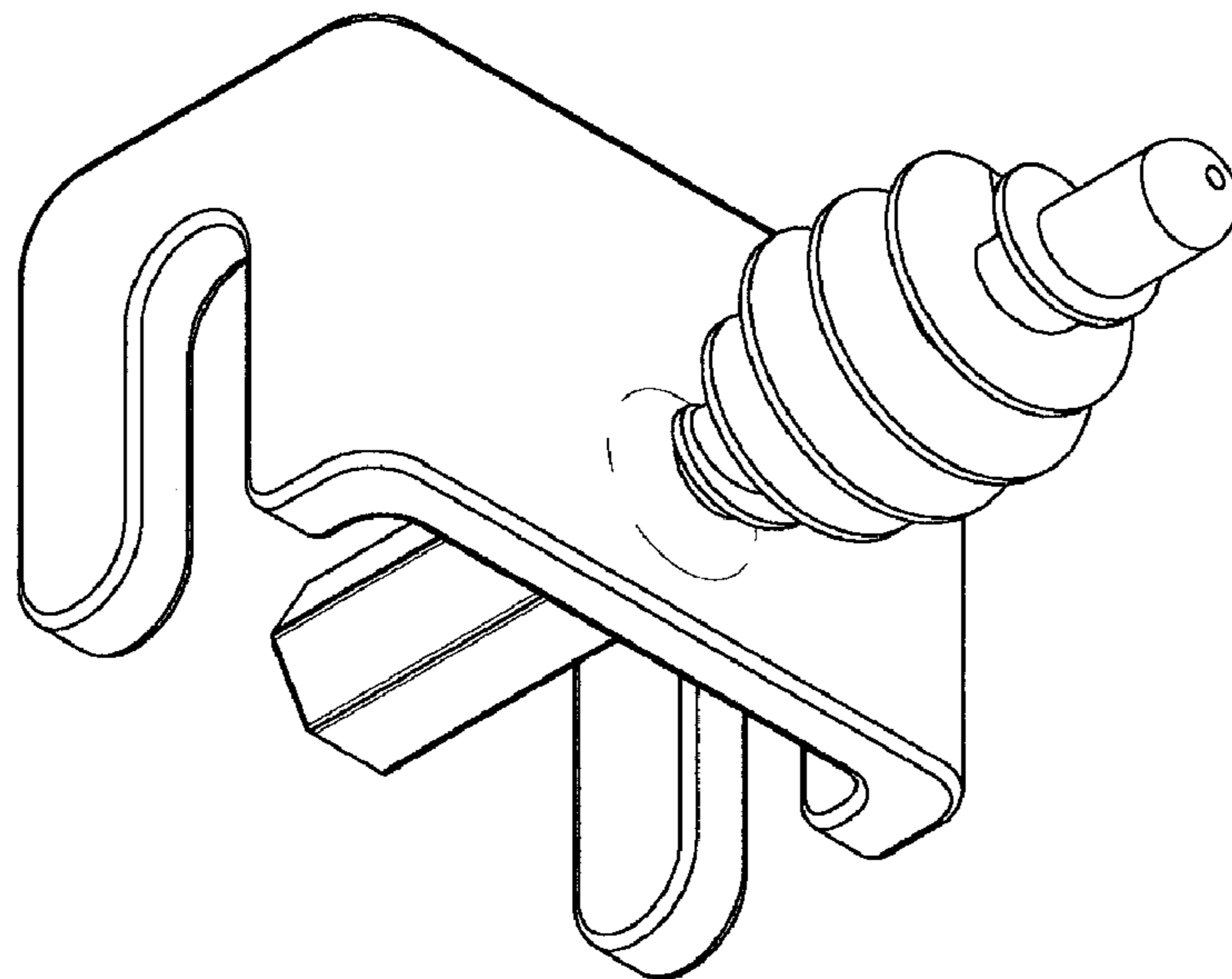


Fig. 2.

Fig.3.

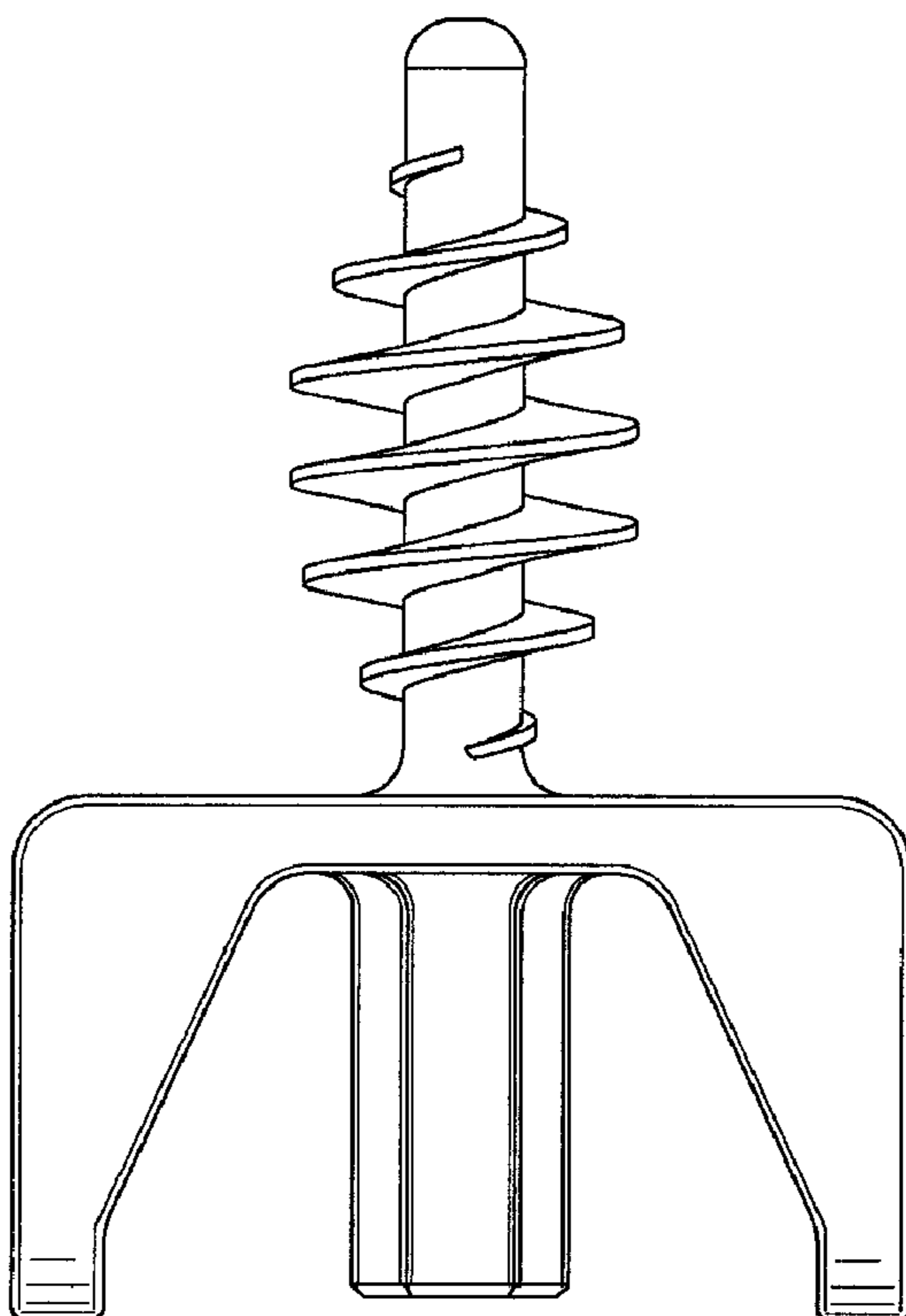
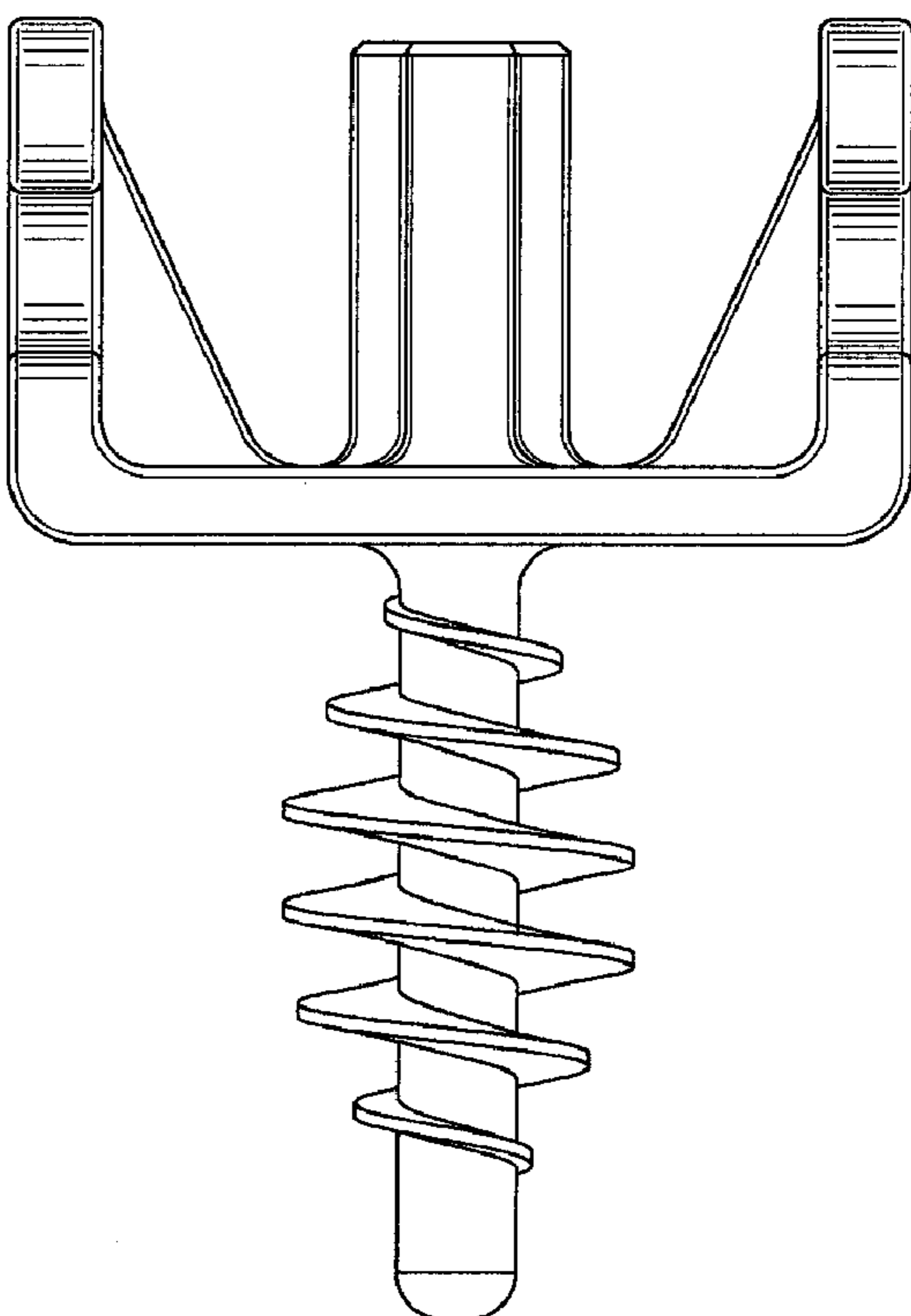


Fig.4.



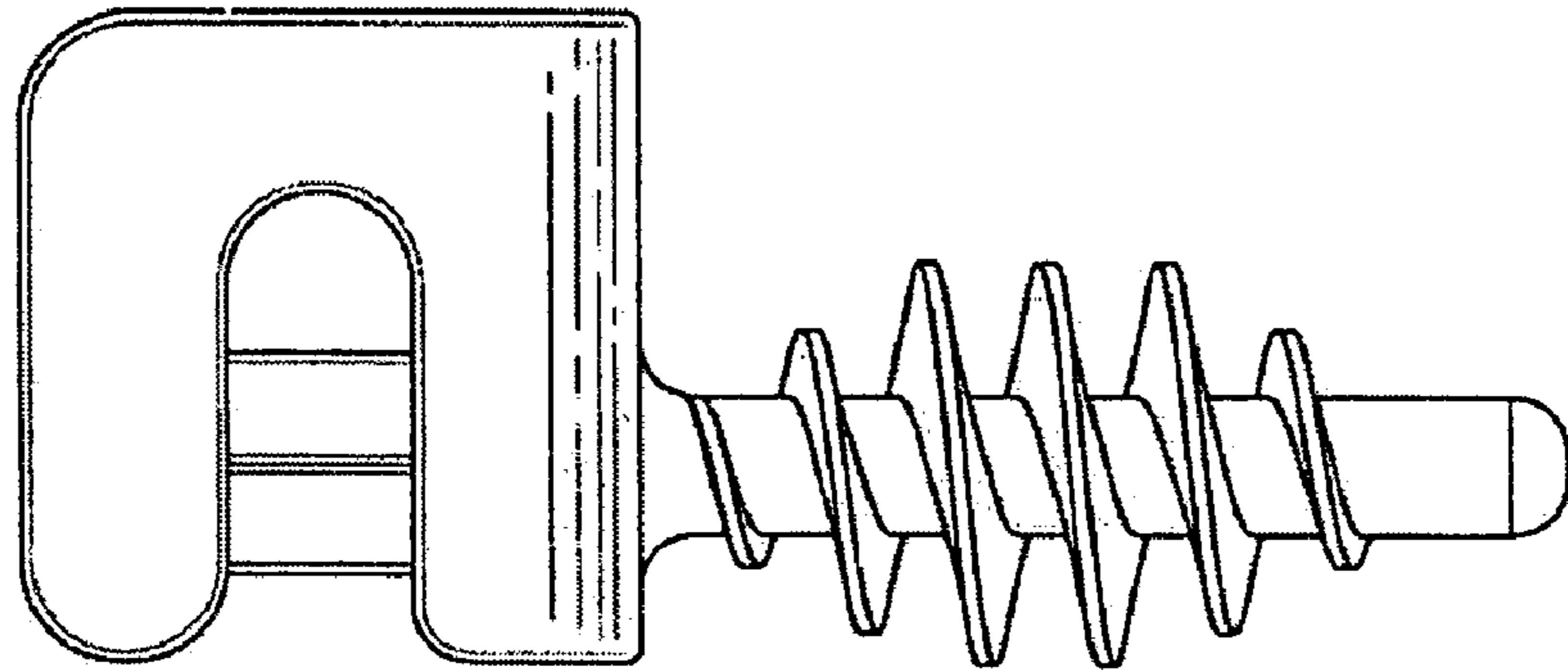


Fig. 5.

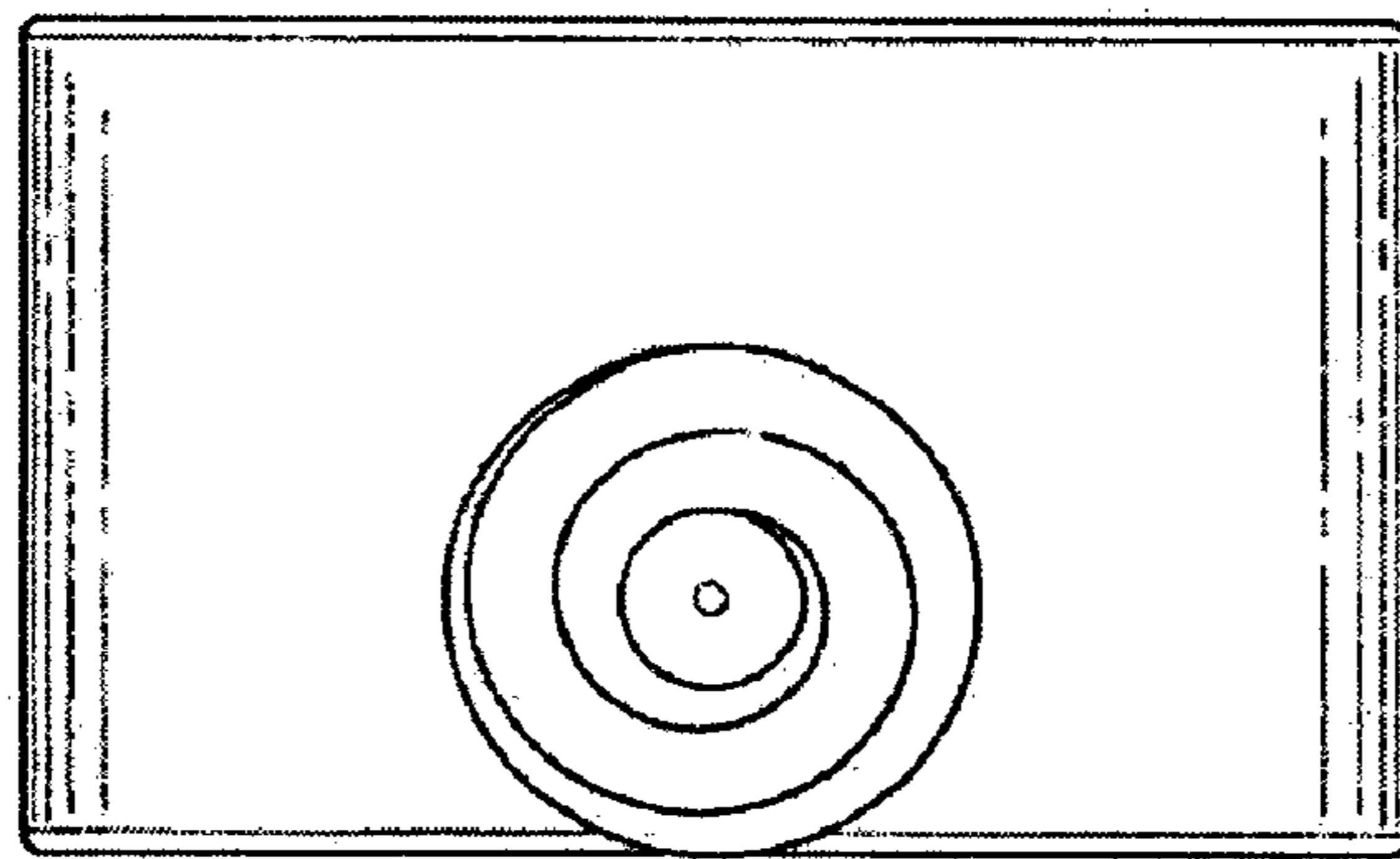


Fig. 6.

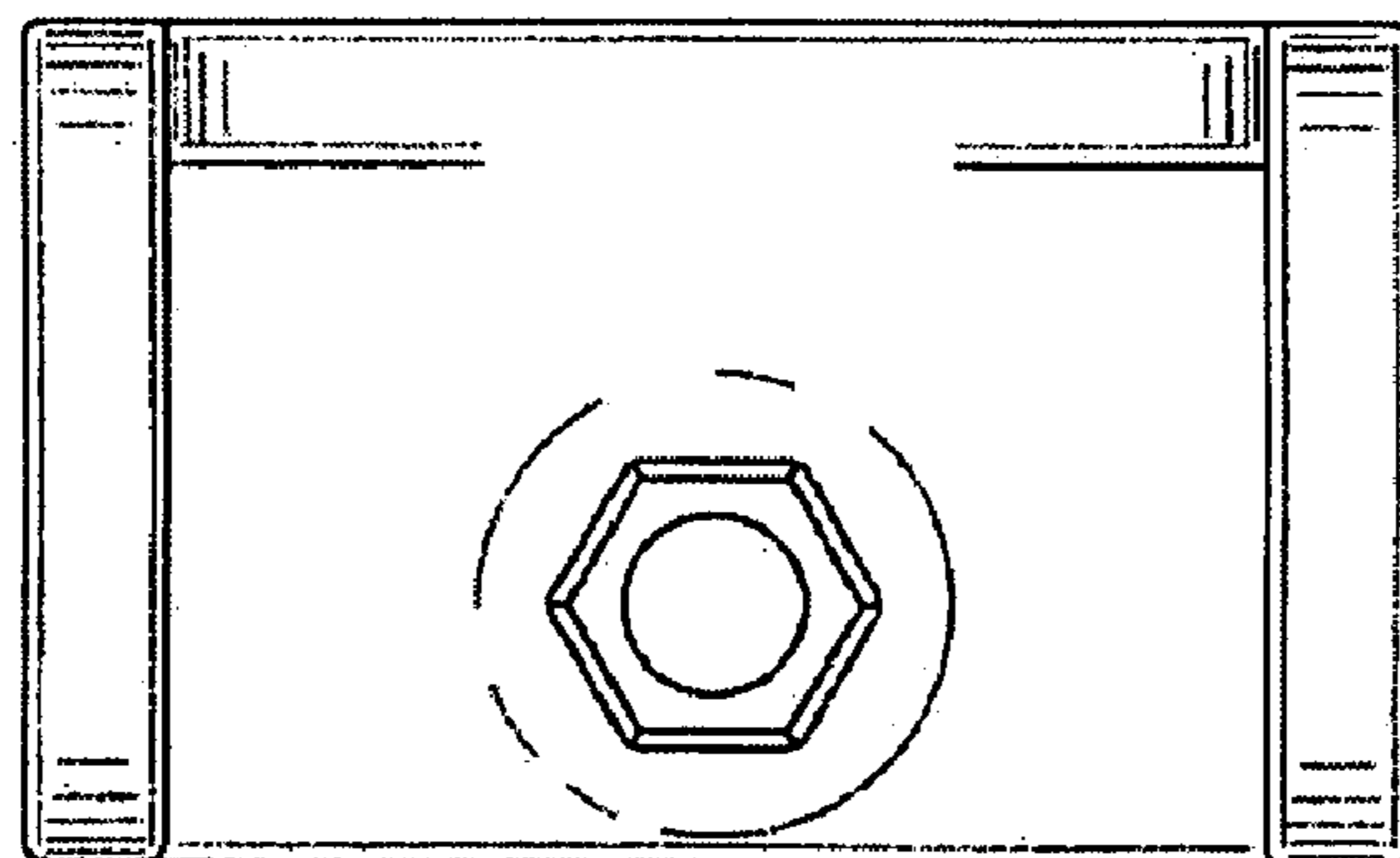


Fig. 7.

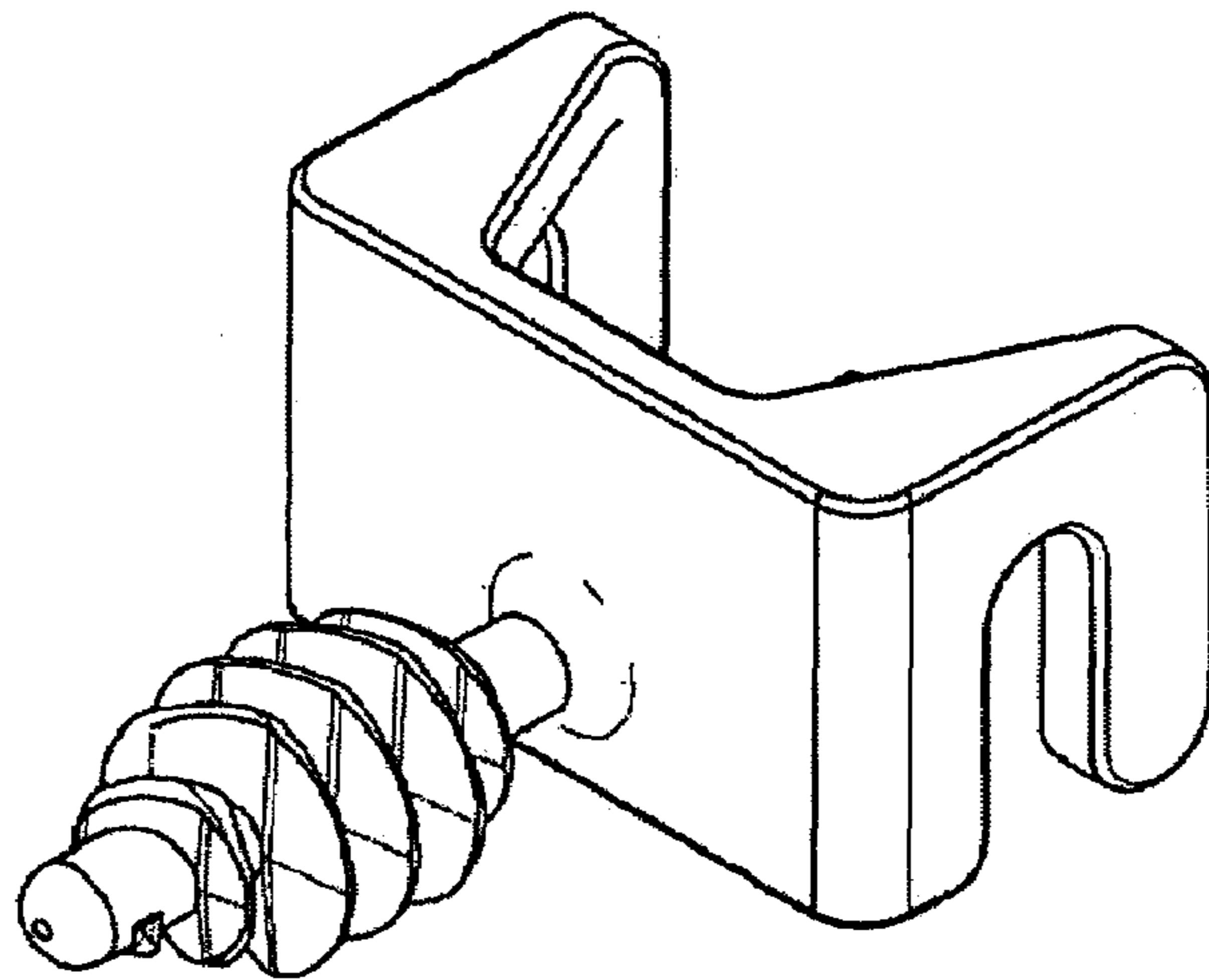


Fig. 8.

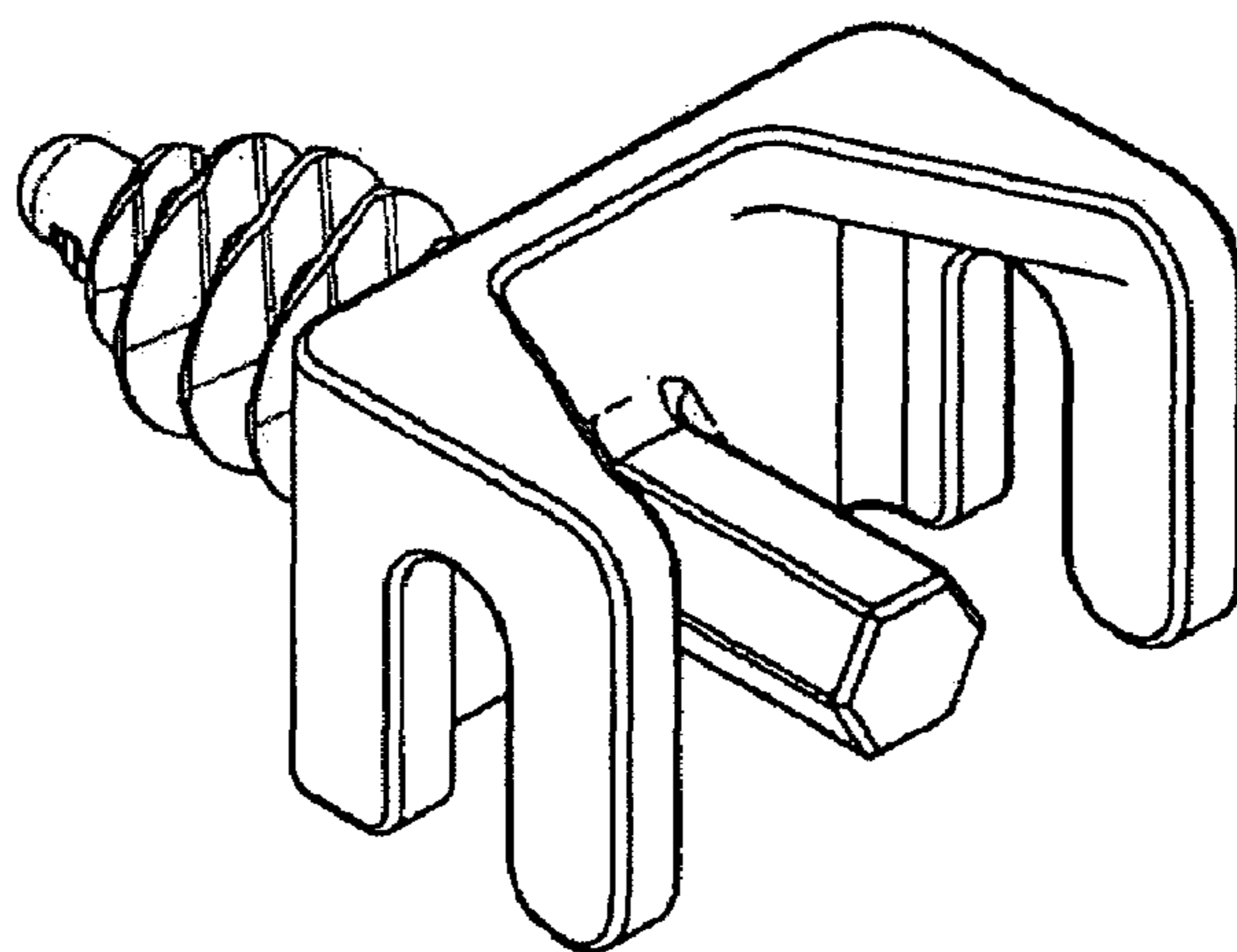


Fig. 9.

Fig. 10.

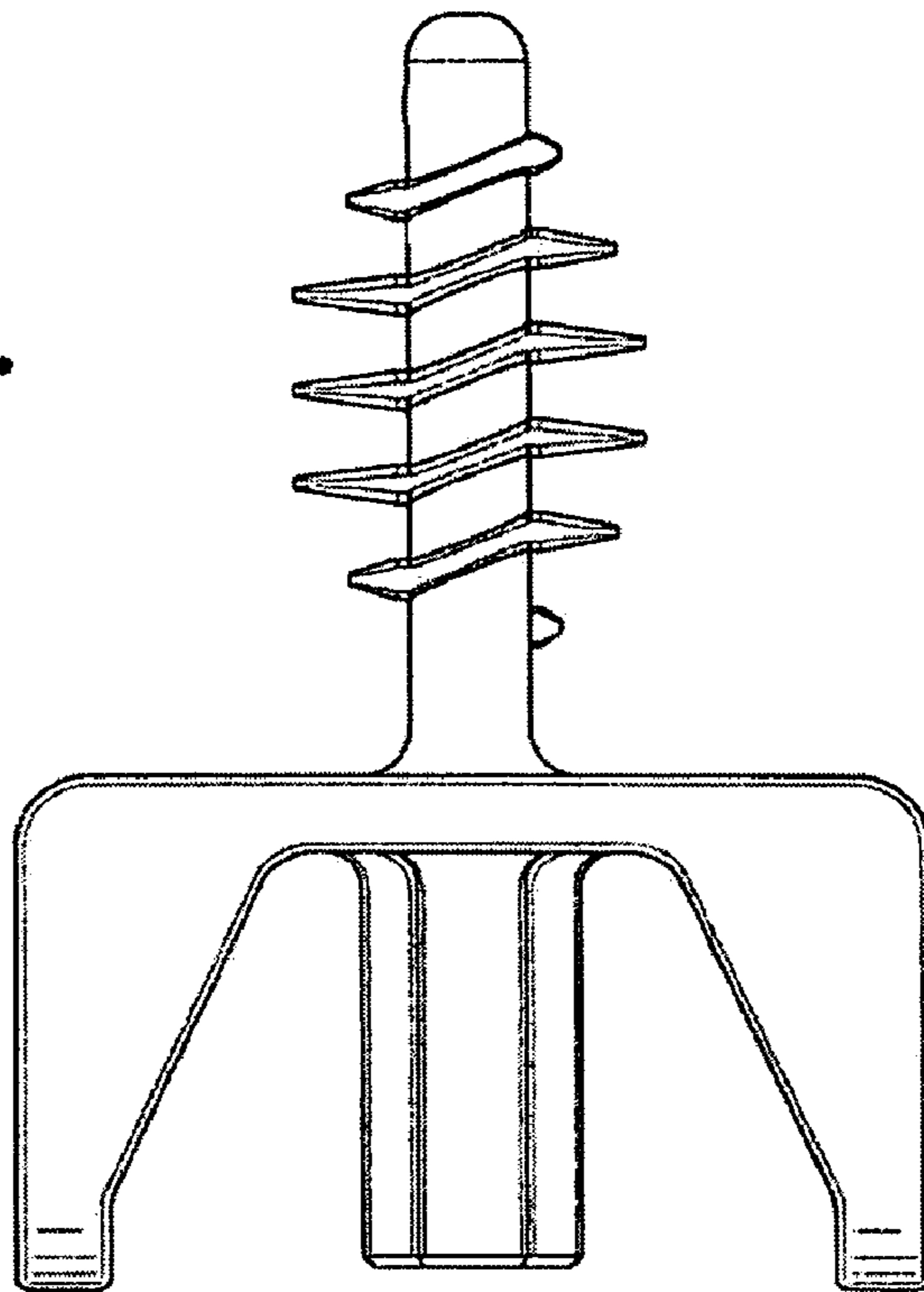
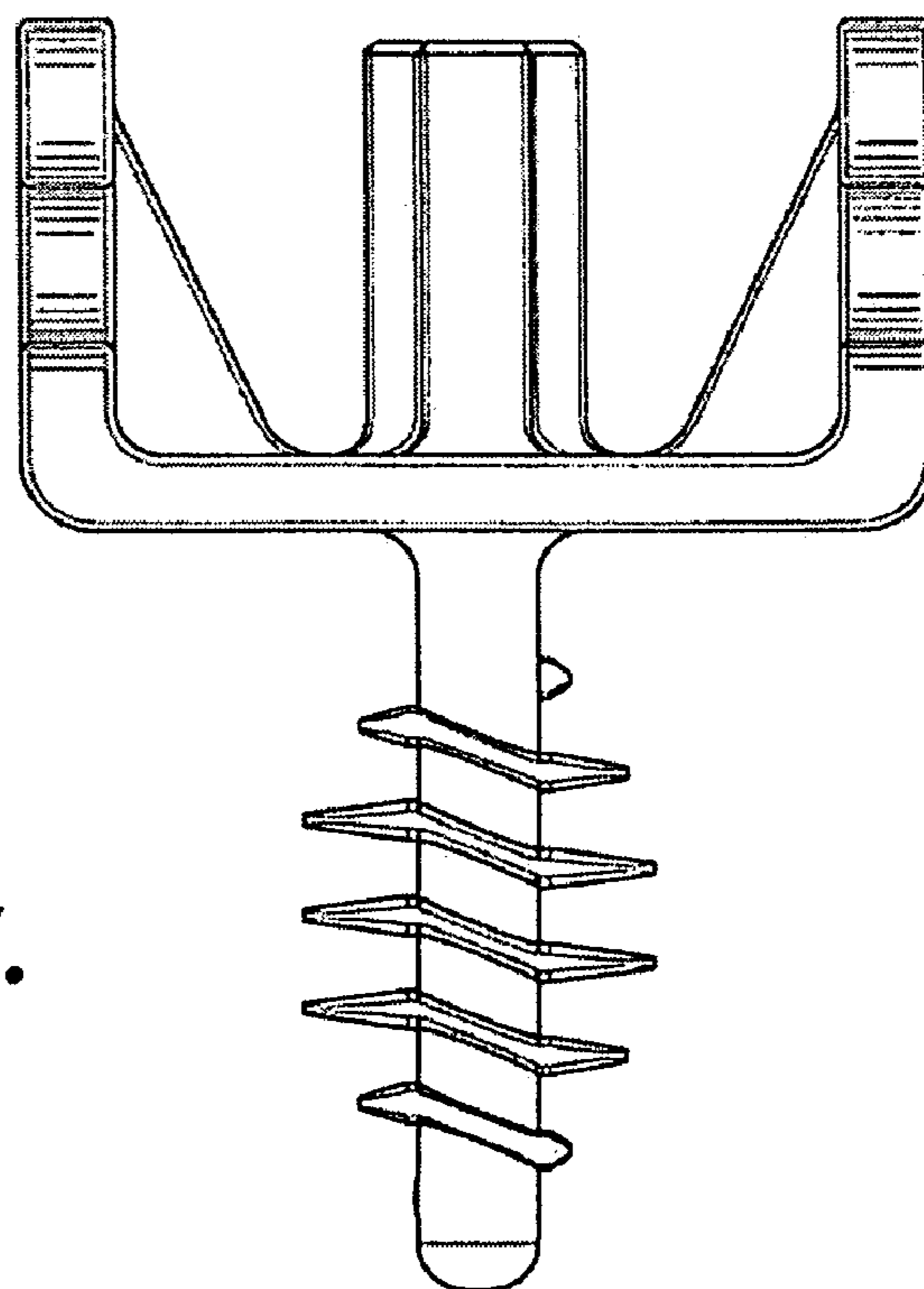


Fig. 11.



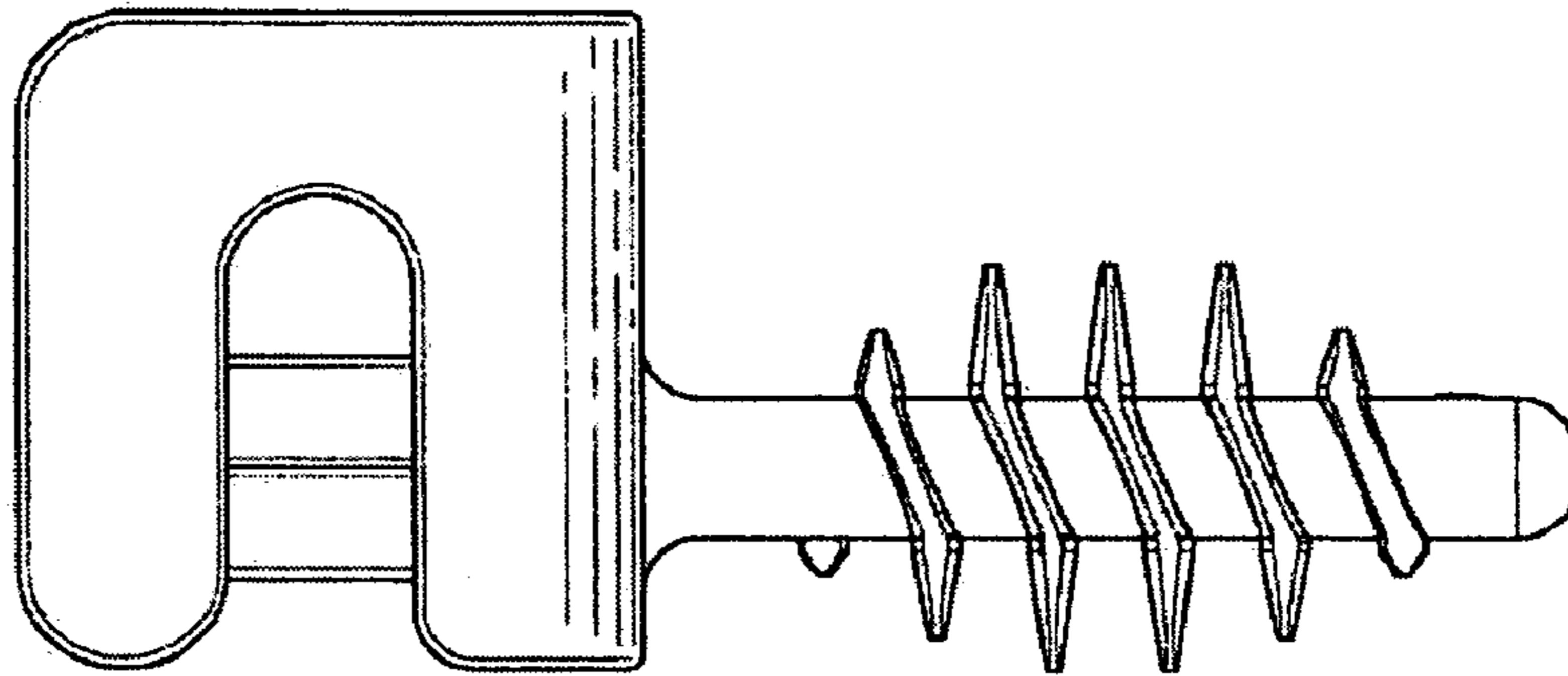


Fig. 12.

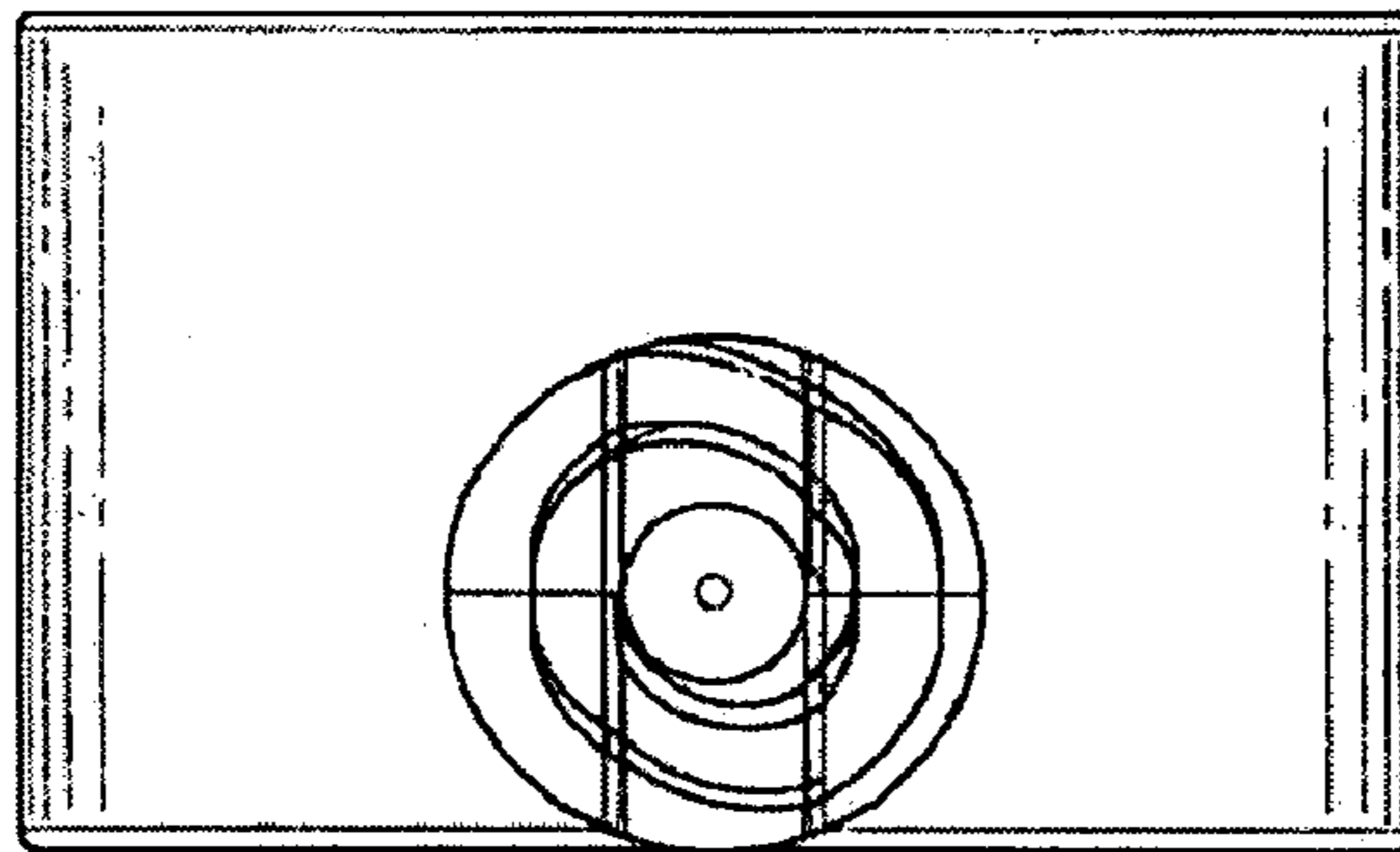


Fig. 13.

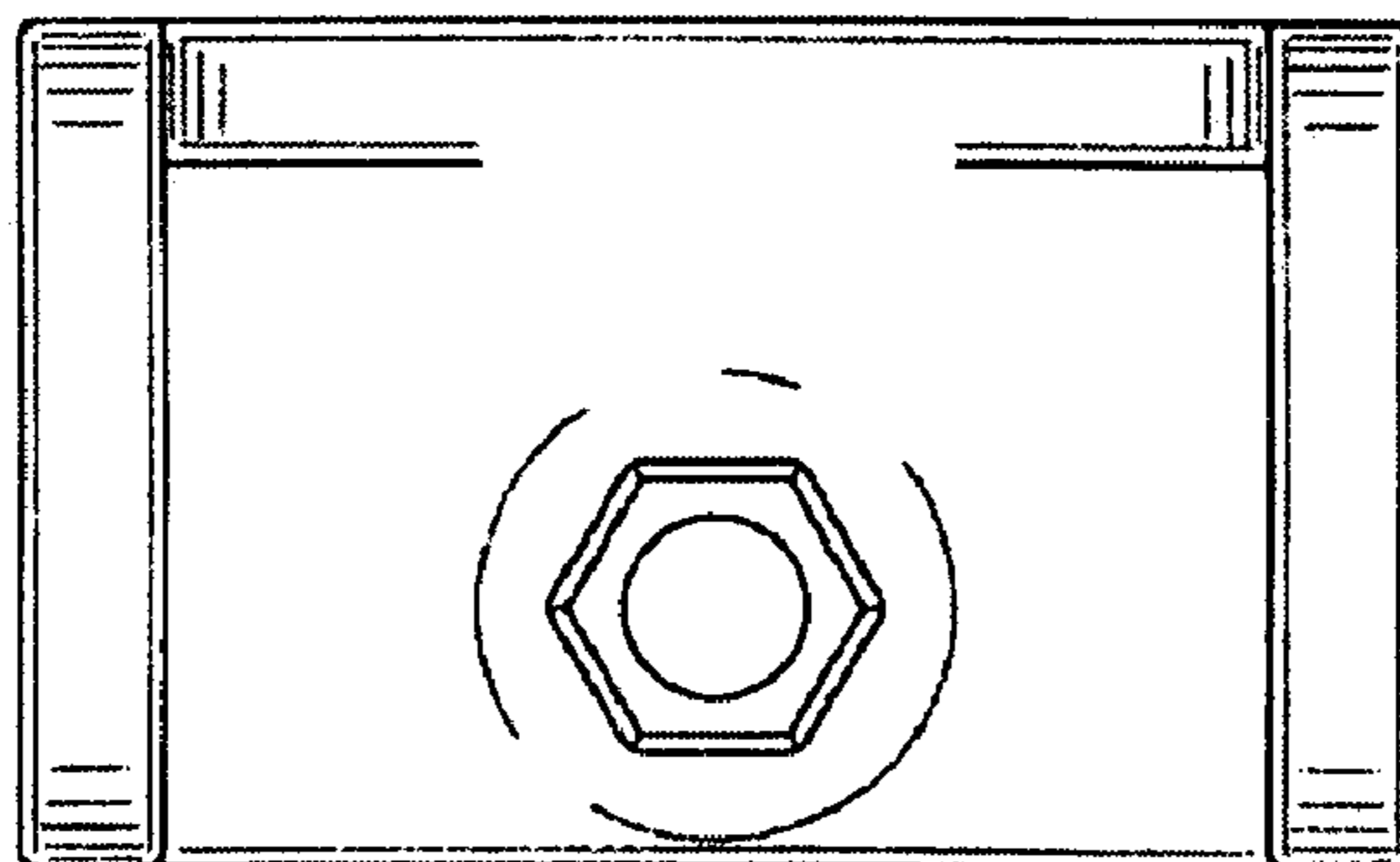


Fig. 14.

UNITED STATES PATENT AND TRADEMARK OFFICE
CERTIFICATE OF CORRECTION

PATENT NO. : Des. 585,729 S
APPLICATION NO. : 29/283799
DATED : February 3, 2009
INVENTOR(S) : J. A. Mills et al.

Page 1 of 1

It is certified that error appears in the above-identified patent and that said Letters Patent is hereby corrected as shown below:

COLUMN

LINE

Title page,
item (30)
Pg. 1, col. 1

Foreign Appl.
Priority Data

insert in appropriate order:
-- (30) **Foreign Application Priority Data**
May 22, 2007 (CA) 120801 --

Signed and Sealed this

Fifth Day of May, 2009



JOHN DOLL

Acting Director of the United States Patent and Trademark Office