



US00D585728S

(12) **United States Design Patent**
Bertoni

(10) **Patent No.:** **US D585,728 S**

(45) **Date of Patent:** **** Feb. 3, 2009**

(54) **SOLAR BLANKET STORAGE REEL**

(76) Inventor: **Italo Bertoni**, 301 Edinborough Street,
Windsor (CA) N8X 3C3

(**) Term: **14 Years**

(21) Appl. No.: **29/300,750**

(22) Filed: **May 6, 2008**

(30) **Foreign Application Priority Data**

Nov. 22, 2007 (CA) 123359

(51) **LOC (9) Cl.** **08-05**

(52) **U.S. Cl.** **D8/358; D8/380**

(58) **Field of Classification Search** D8/381,
D8/380, 373, 363, 359, 358, 354, 350, 349;
D34/17; D14/253; D13/154; D12/211;
D10/72; 33/769; 248/264, 251, 916; 242/608.8,
242/608.4, 601, 600, 570, 395, 370; 137/355.27,
137/355.23; 104/113

See application file for complete search history.

(56) **References Cited**

U.S. PATENT DOCUMENTS

D241,612 S * 9/1976 Matousek D8/354
D419,814 S * 2/2000 Hecht et al. D8/380
D420,277 S * 2/2000 Burke et al. D8/380
D521,851 S * 5/2006 Smart D8/354
7,278,613 B2 * 10/2007 Roy 248/49

D571,643 S * 6/2008 Newman D8/380

* cited by examiner

Primary Examiner—Susan B Hattan

(57) **CLAIM**

I claim the ornamental design for a solar blanket storage reel,
as shown and described.

DESCRIPTION

FIG. 1—is top and side perspective view of a solar blanket
storage reel illustrating the design;

FIG. 2—illustrates a first perspective end view thereof, show-
ing the design on a larger scale for clarity, the second other
end view appearing as the mirror image;

FIG. 3—illustrates a fragmentary view showing the top side
and end surface of the portion of the design identified by the
arrow shown in FIG. 1;

FIG. 4—illustrates a fragmentary view showing an end sur-
face of the portion of the design identified by the arrow in
FIG. 1;

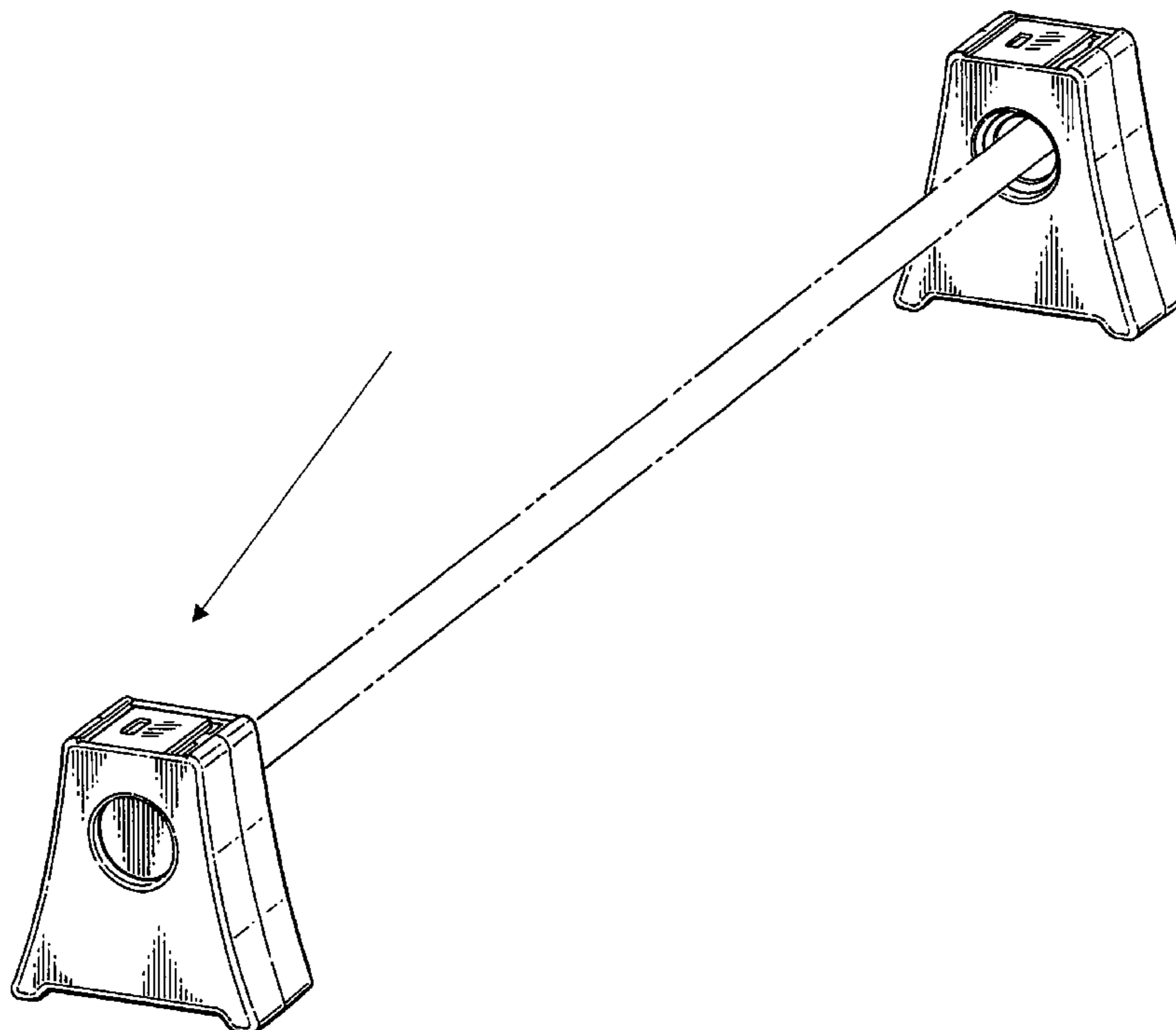
FIG. 5—illustrates a fragmentary front view of the portion of
the design identified by the arrow shown in FIG. 1;

FIG. 6—illustrates a fragmentary top view of the portion of
the design identified by the arrow shown in FIG. 1; and,

FIG. 7—illustrates a fragmentary bottom view of the portion
of the design identified by the arrow shown in FIG. 1.

The broken lines in the drawings depict environmental sub-
ject matter only and form no part of the claimed design.

1 Claim, 3 Drawing Sheets



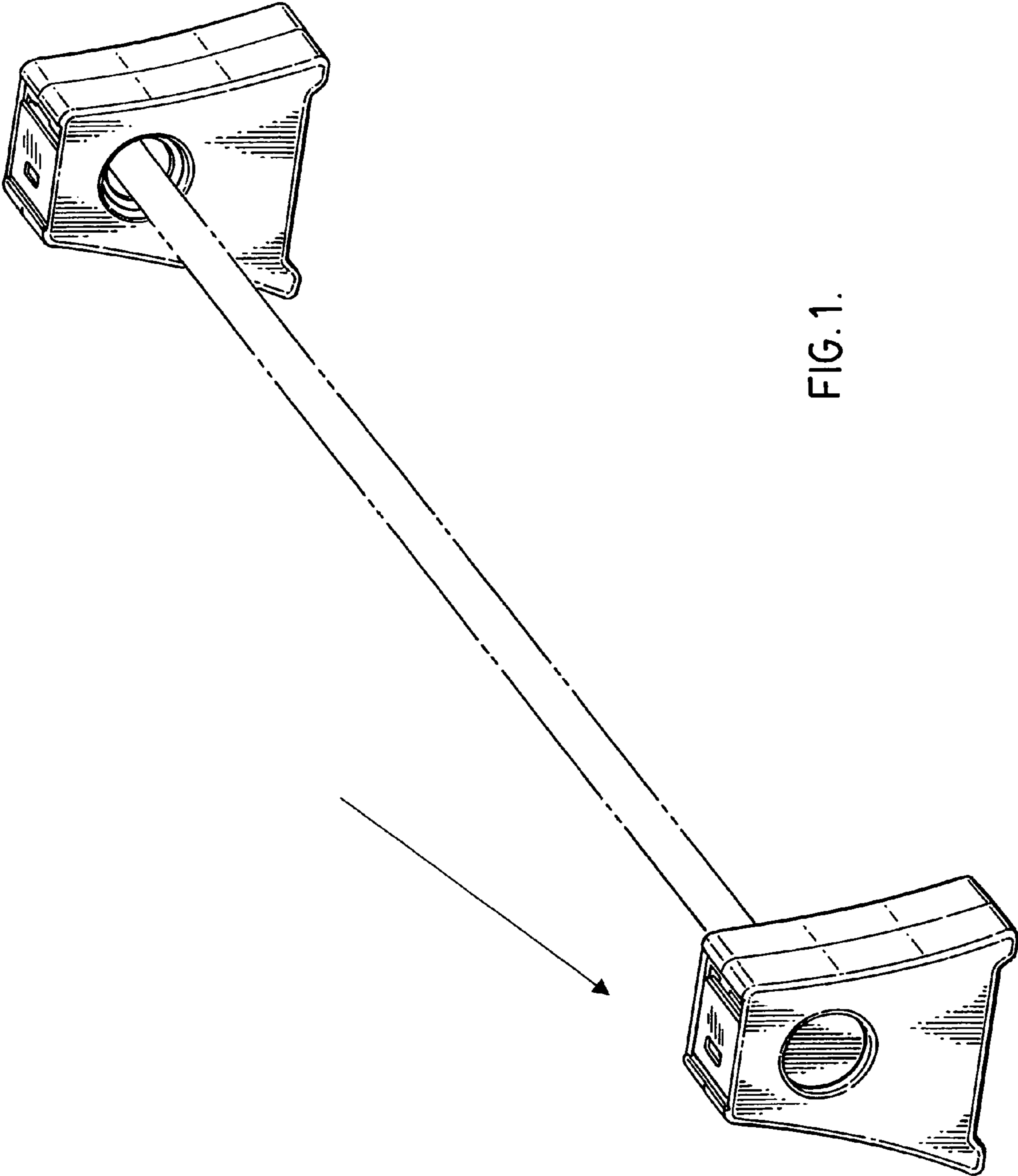


FIG. 1.

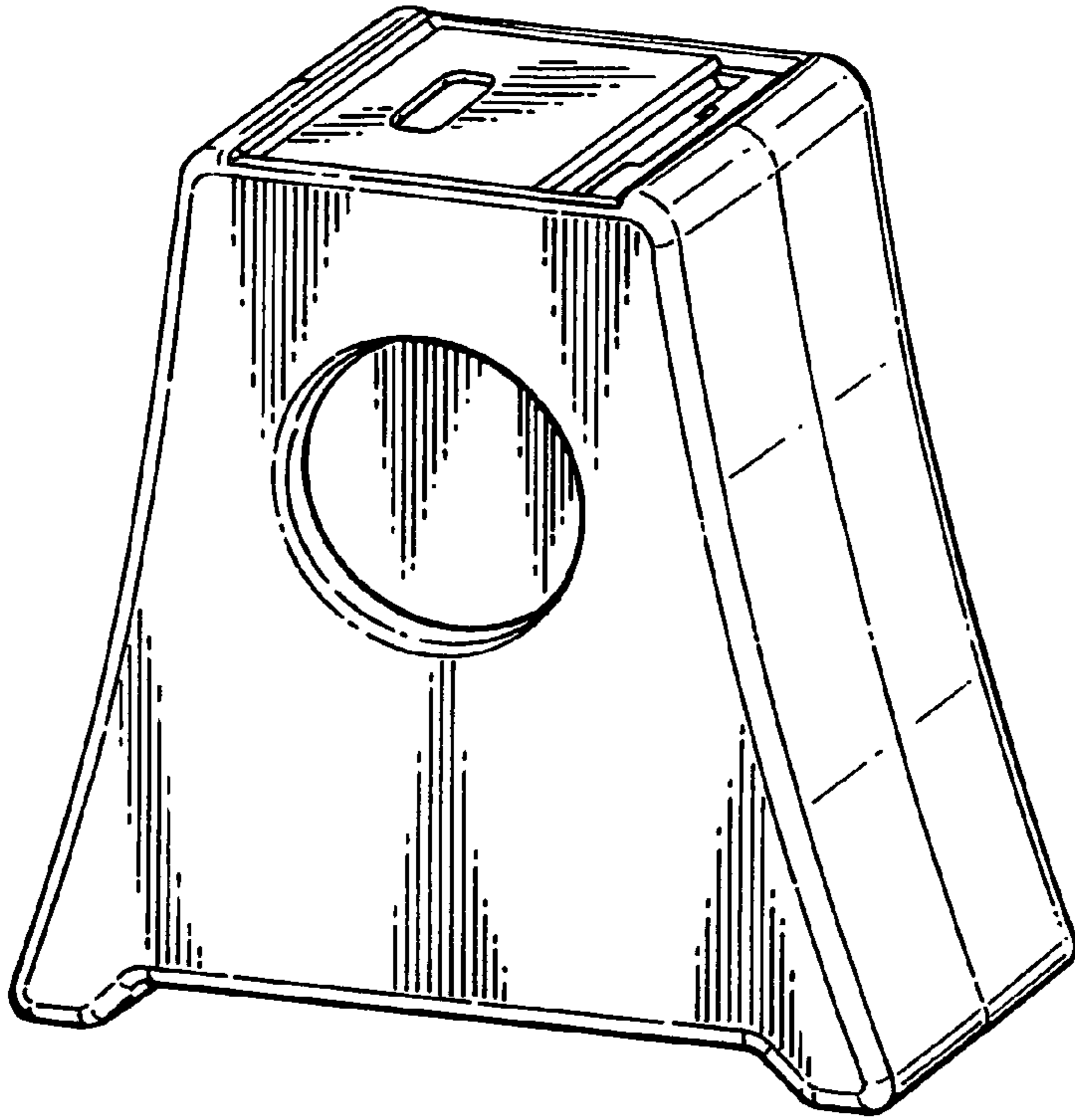


FIG. 3.

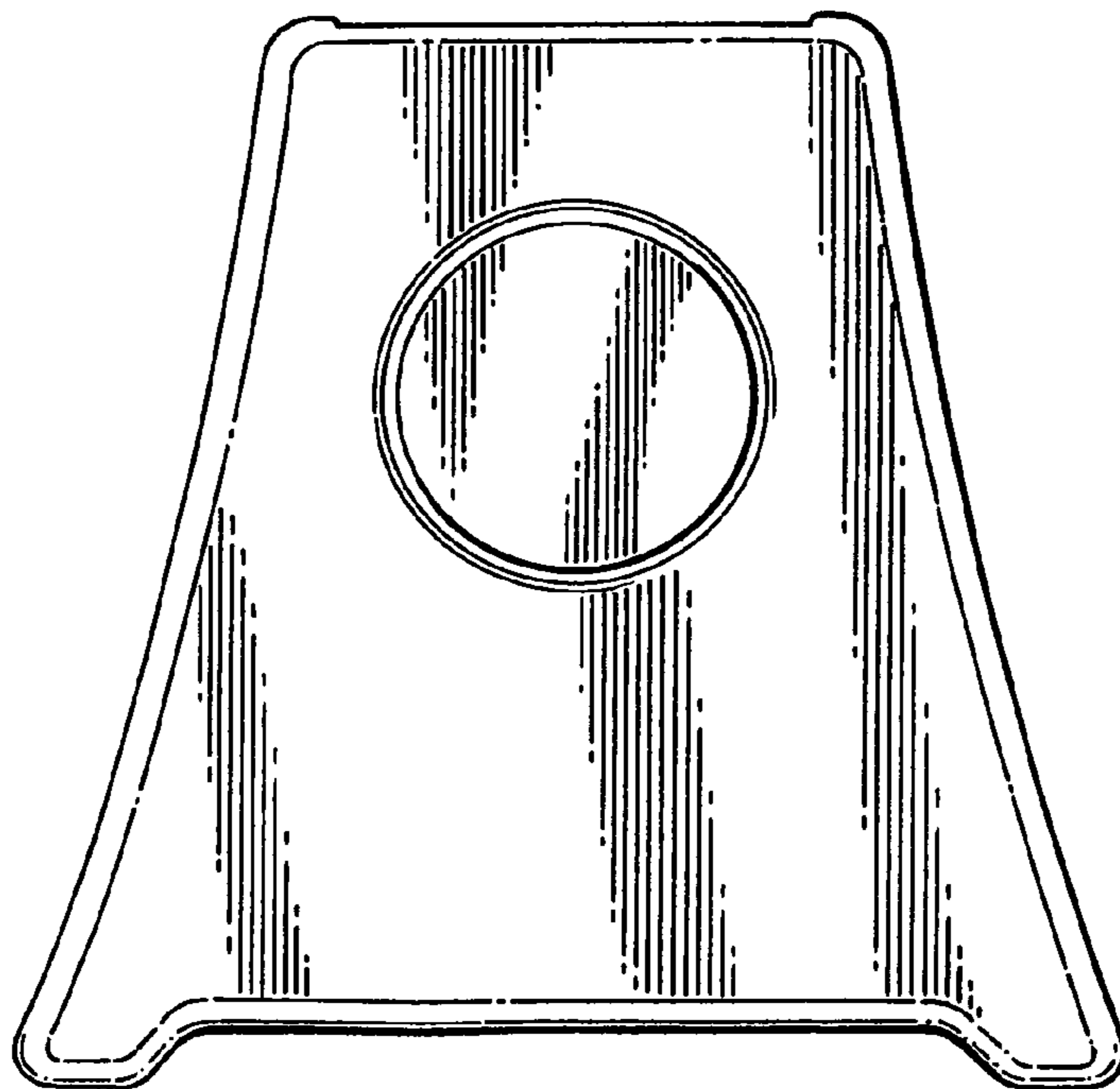


FIG. 2.

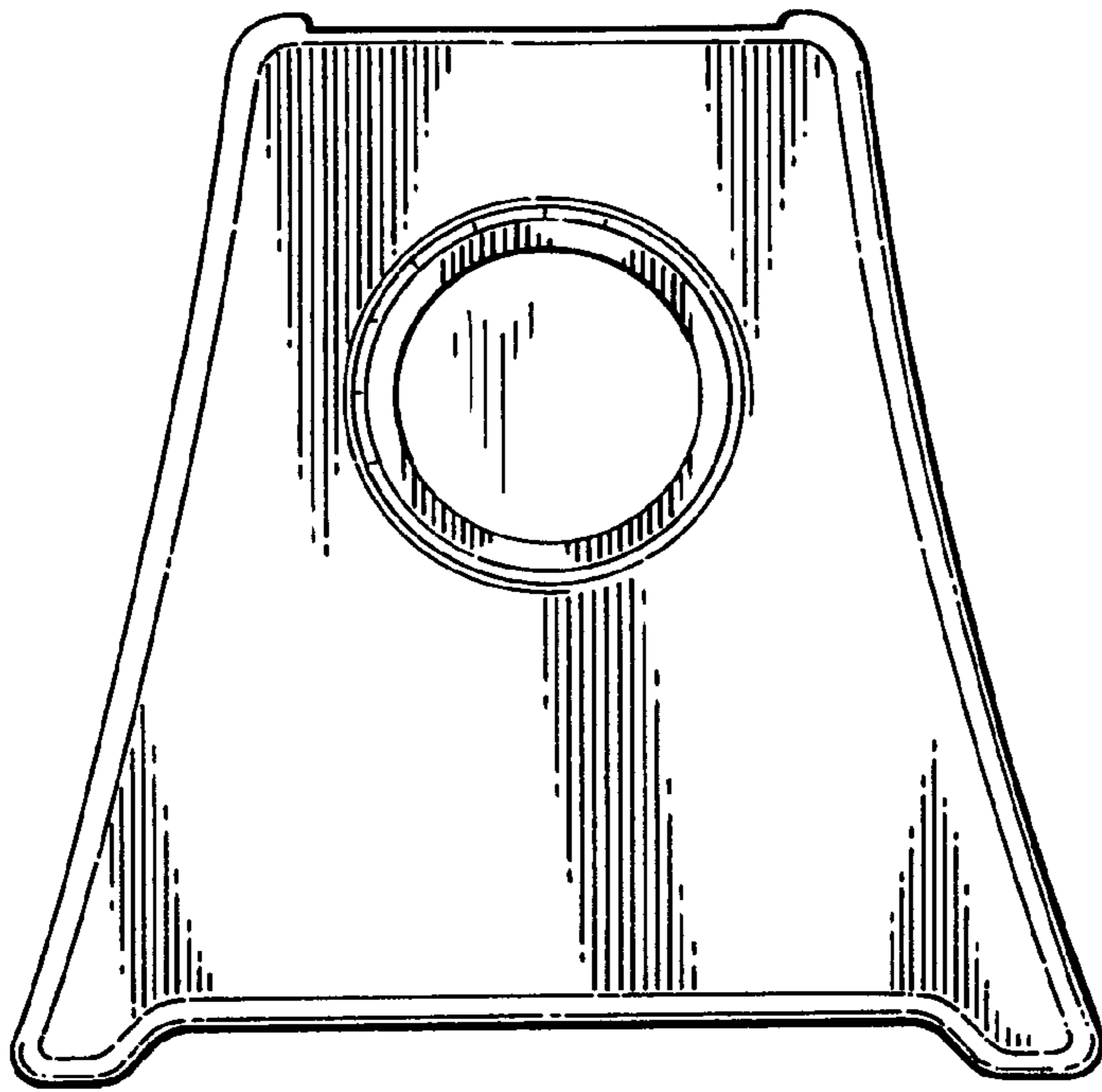


FIG. 4.

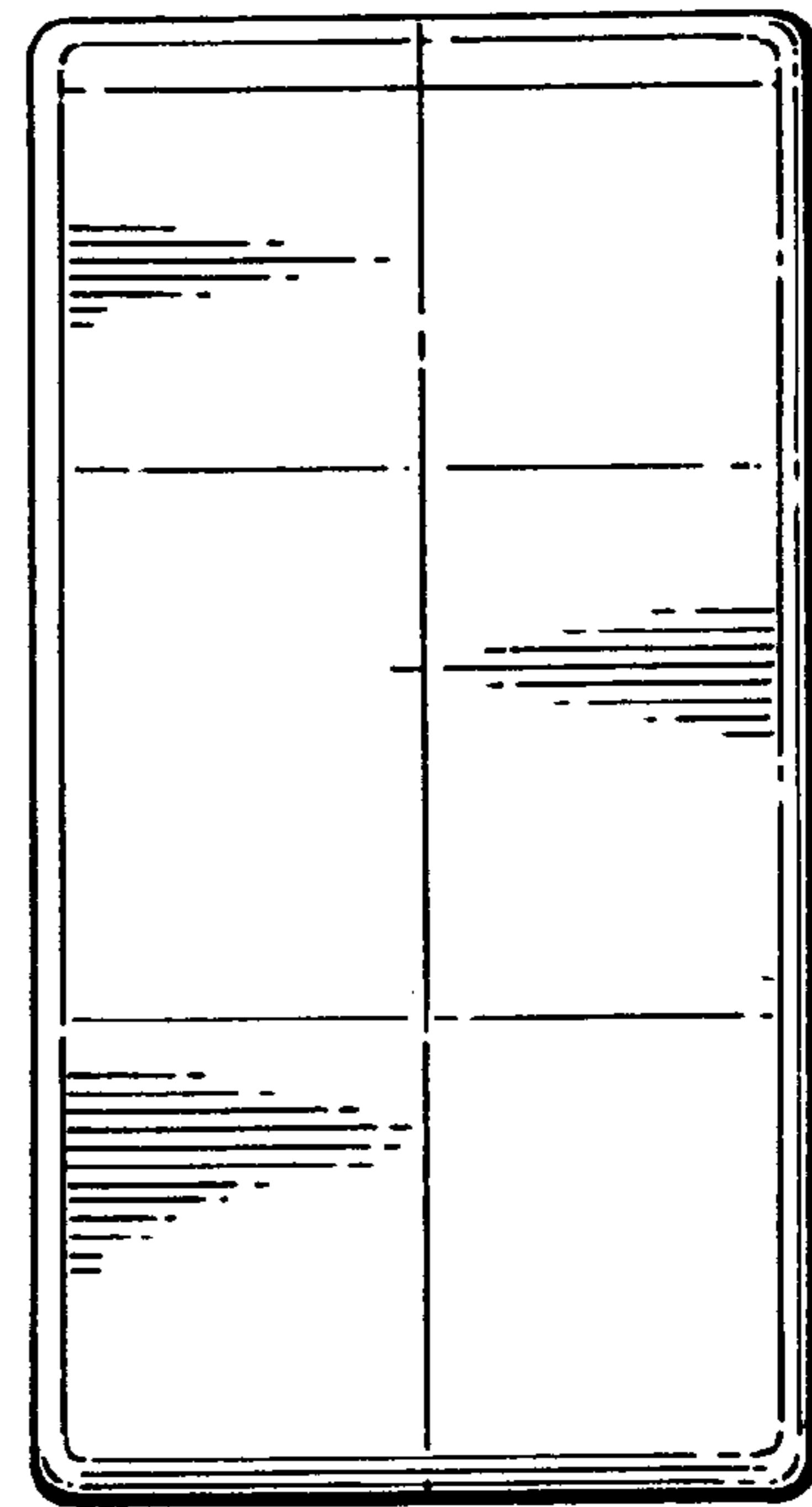


FIG. 5.

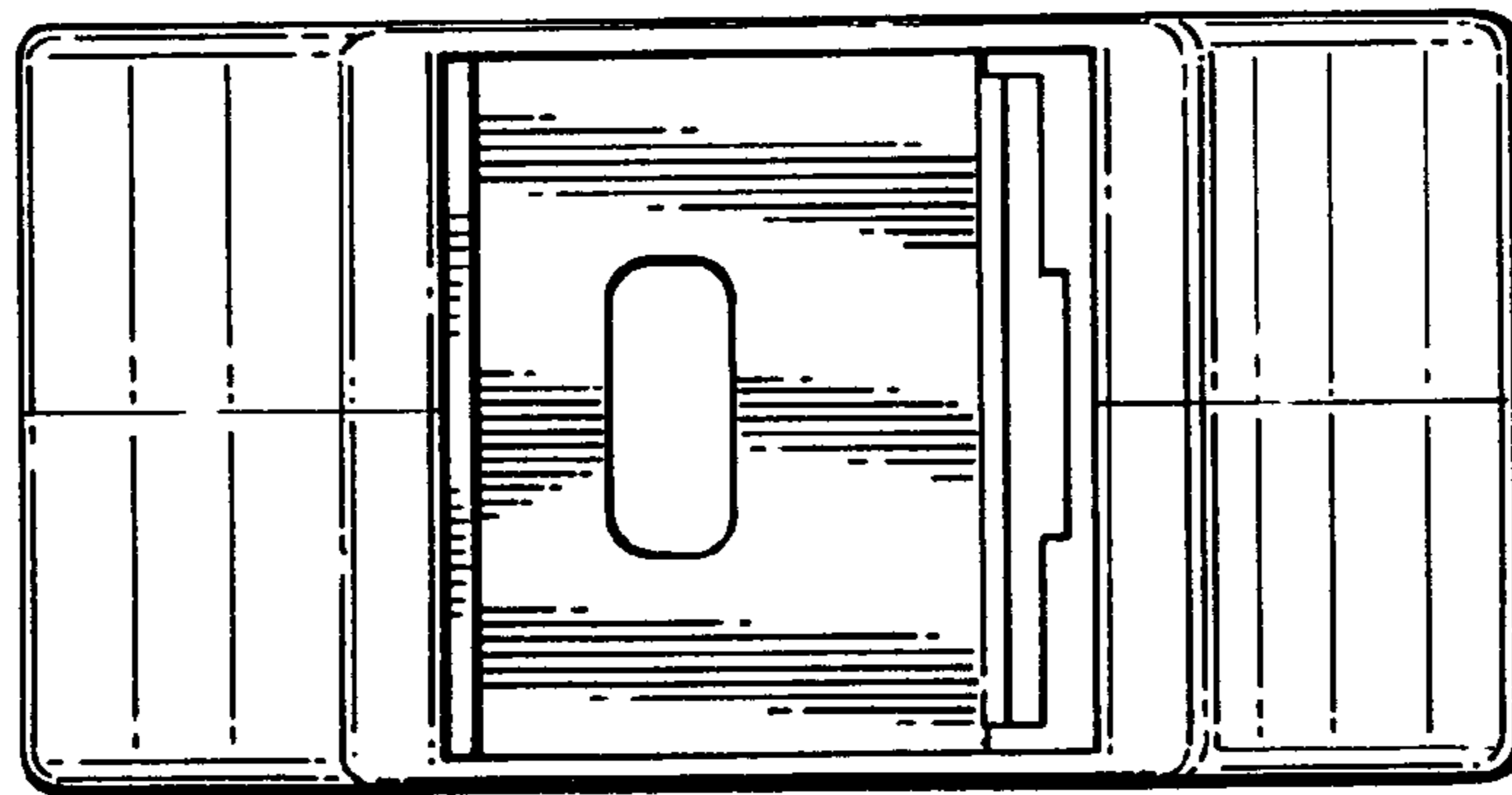


FIG. 6.

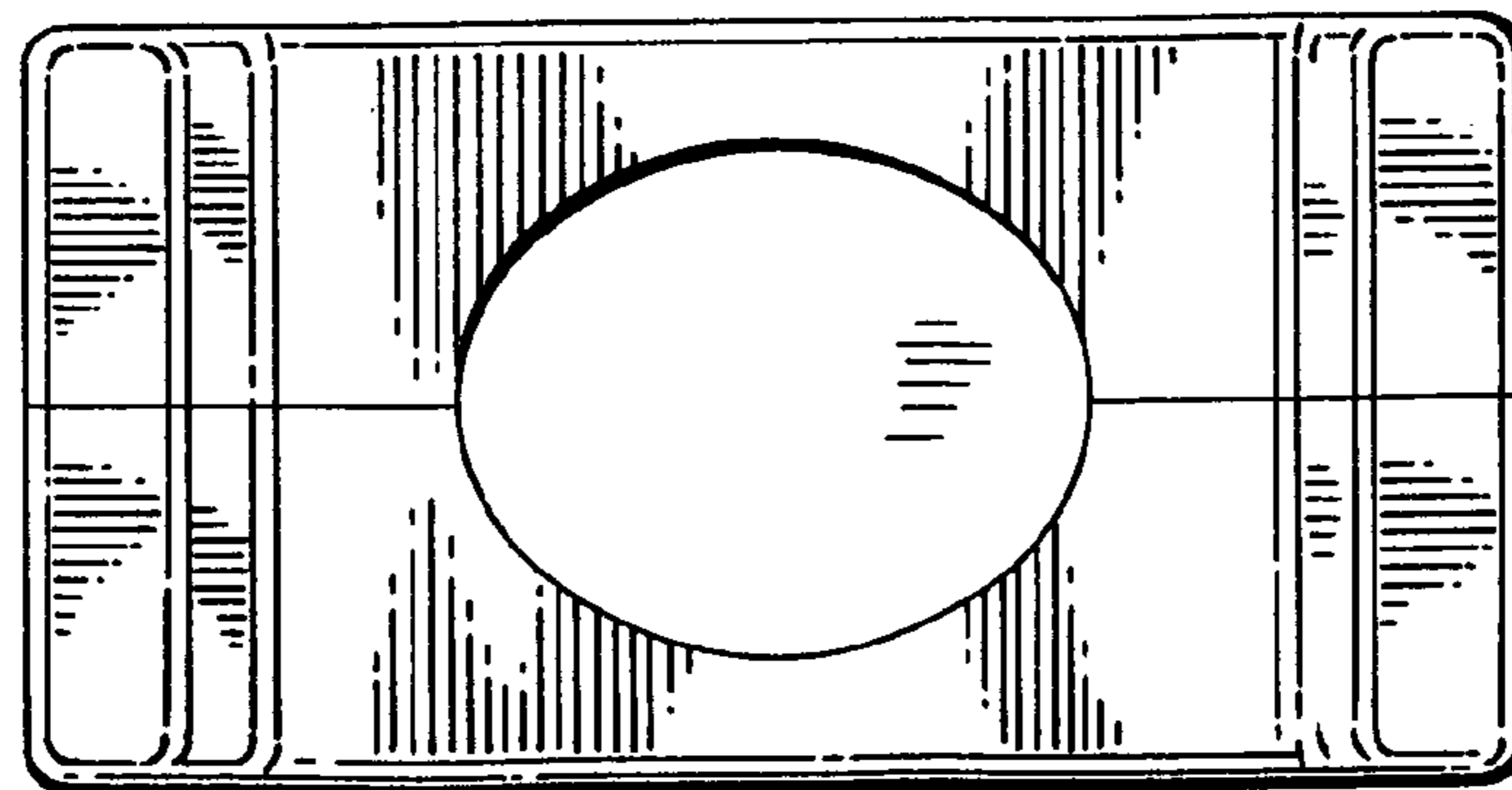


FIG. 7.