



US00D585726S

(12) **United States Design Patent**
DeCosta

(10) **Patent No.:** **US D585,726 S**
(45) **Date of Patent:** **** Feb. 3, 2009**

(54) **SECTIONAL PLATE WITH GROMMET AND RECESSED RECEPTACLE**

D568,719 S * 5/2008 Gorin et al. D8/353
7,399,920 B2 * 7/2008 Gorin et al. 174/66
2004/0026103 A1 * 2/2004 Henriott et al. 174/48

(76) Inventor: **Tom DeCosta**, 10 Drift Rd., Westport, MA (US) 02790

* cited by examiner

(**) Term: **14 Years**

Primary Examiner—Stella M Reid
Assistant Examiner—Mark A Goodwin

(21) Appl. No.: **29/294,960**

(57) **CLAIM**

(22) Filed: **Feb. 4, 2008**

The ornamental design for a sectional plate with grommet and recessed receptacle, as shown and described.

(51) **LOC (9) Cl.** **11-05**

(52) **U.S. Cl.** **D8/353**

(58) **Field of Classification Search** D8/350–353;
D13/171, 177, 156, 169, 174, 158, 162, 184;
174/53, 58, 64, 66, 67; 220/241, 242; 248/56,
248/908; 439/535; 200/304, 330

See application file for complete search history.

DESCRIPTION

FIG. 1 is a front perspective view of a sectional plate with grommet and recessed receptacle showing my new design in assembled condition;

FIG. 2 is a front perspective view of FIG. 1 with the recessed receptacle outlet removed;

FIG. 3 is rear perspective view of FIG. 2;

FIG. 4 is a front top view of FIG. 2;

FIG. 5 is a rear top view of FIG. 3;

FIG. 6 is a top plan view of FIG. 3;

FIG. 7 is a bottom plan view of FIG. 3;

FIG. 8 is a right side view of FIG. 3;

FIG. 9 is a left side view of FIG. 3;

FIG. 10 is a front perspective view of the disassembled sectional plate of FIG. 1;

FIG. 11 is a rear perspective view of the grommet section of FIG. 10;

FIG. 12 is a right side view of the grommet portion of FIG. 11; and,

FIG. 13 is a rear perspective view FIG. 11 illustrating a separated grommet.

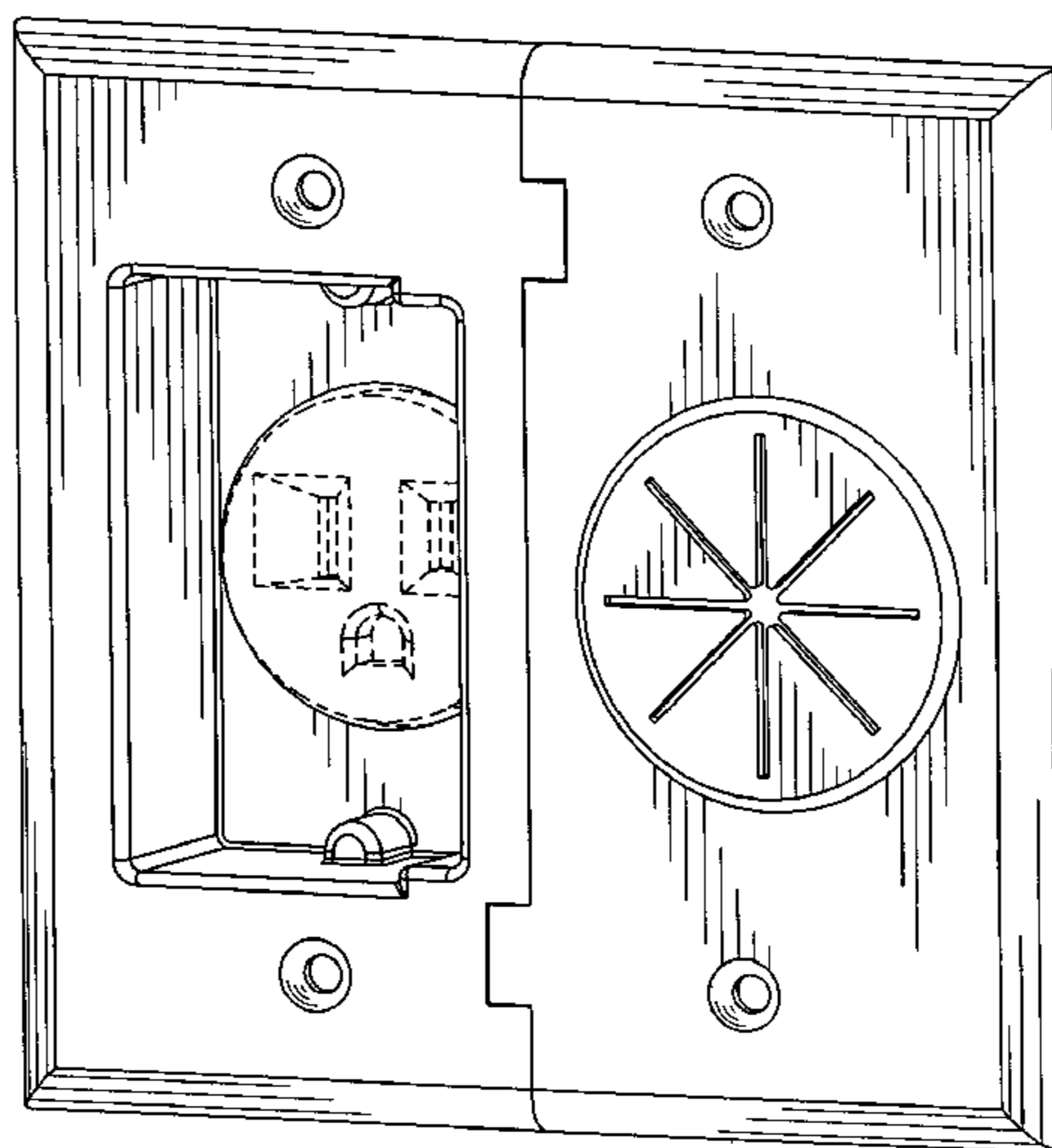
The broken line showing the receptacle outlet is for illustrative purposes only and forms no part of the claimed design.

(56) **References Cited**

U.S. PATENT DOCUMENTS

4,451,106	A *	5/1984	Wiseheart et al.	439/536
4,691,974	A *	9/1987	Pinkerton et al.	439/147
5,700,978	A *	12/1997	Huff	174/66
5,980,279	A *	11/1999	Muller	439/142
5,998,747	A *	12/1999	Kelso et al.	200/331
D441,637	S *	5/2001	Jaag et al.	D8/353
D443,811	S *	6/2001	Tisbo	D8/356
6,297,450	B1 *	10/2001	Yu	174/66
6,338,225	B1 *	1/2002	Hayes	52/27
D495,301	S *	8/2004	Newell	D13/152
6,932,624	B1 *	8/2005	Hoopes et al.	439/76.1
D527,984	S *	9/2006	Dinh	D8/353
7,112,744	B1 *	9/2006	DeCosta	174/66
7,126,059	B2 *	10/2006	Dinh et al.	174/66
7,214,878	B2 *	5/2007	Dinh	174/66
D544,783	S *	6/2007	Dinh	D8/353
D548,572	S *	8/2007	DeCosta	D8/353
7,271,339	B2 *	9/2007	Dinh	174/66
D554,475	S *	11/2007	Gorin et al.	D8/353
D559,656	S *	1/2008	DeCosta	D8/353
D559,660	S *	1/2008	DeCosta	D8/356
D566,525	S *	4/2008	DeCosta	D8/353

1 Claim, 11 Drawing Sheets



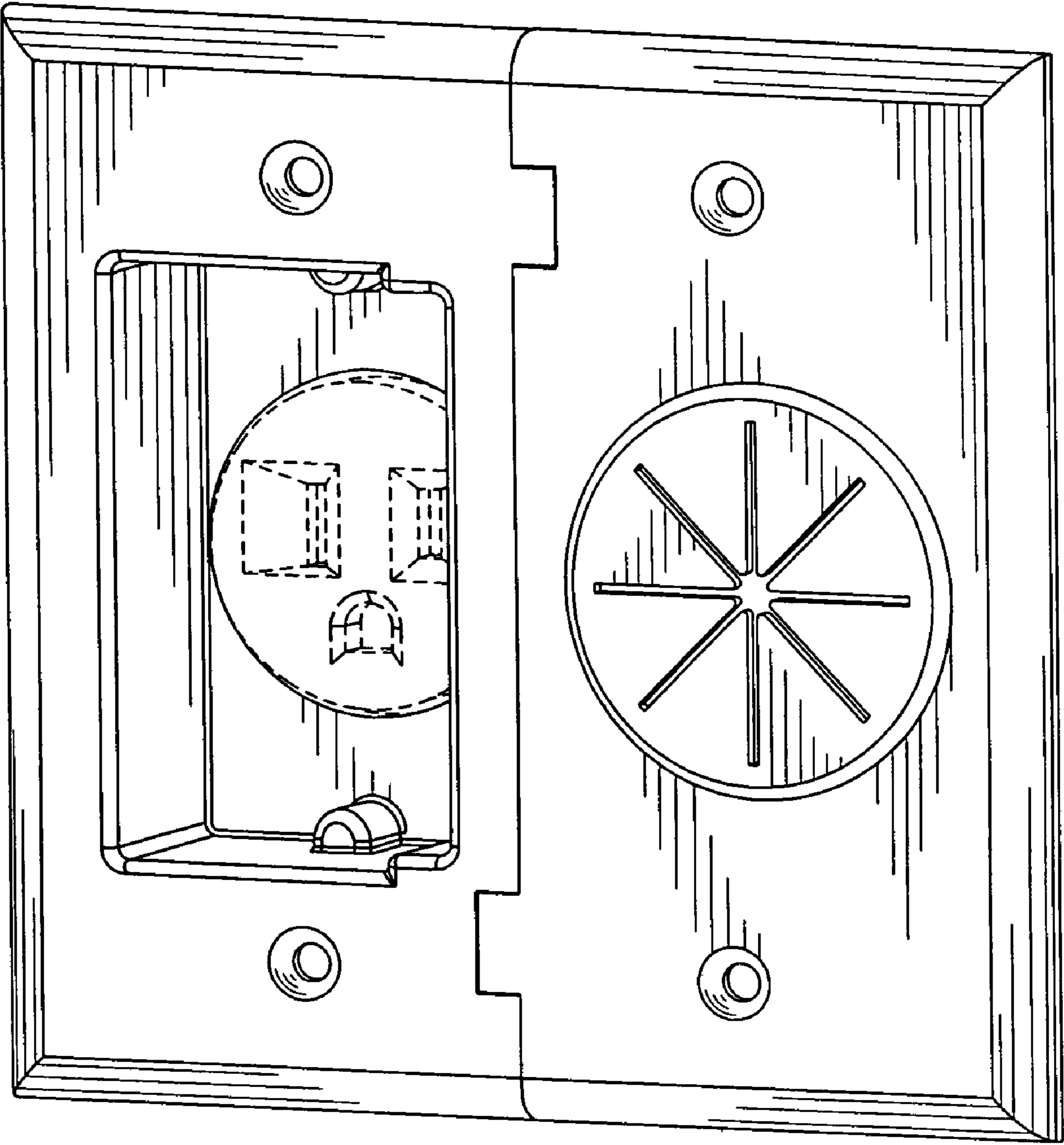


FIG. 1

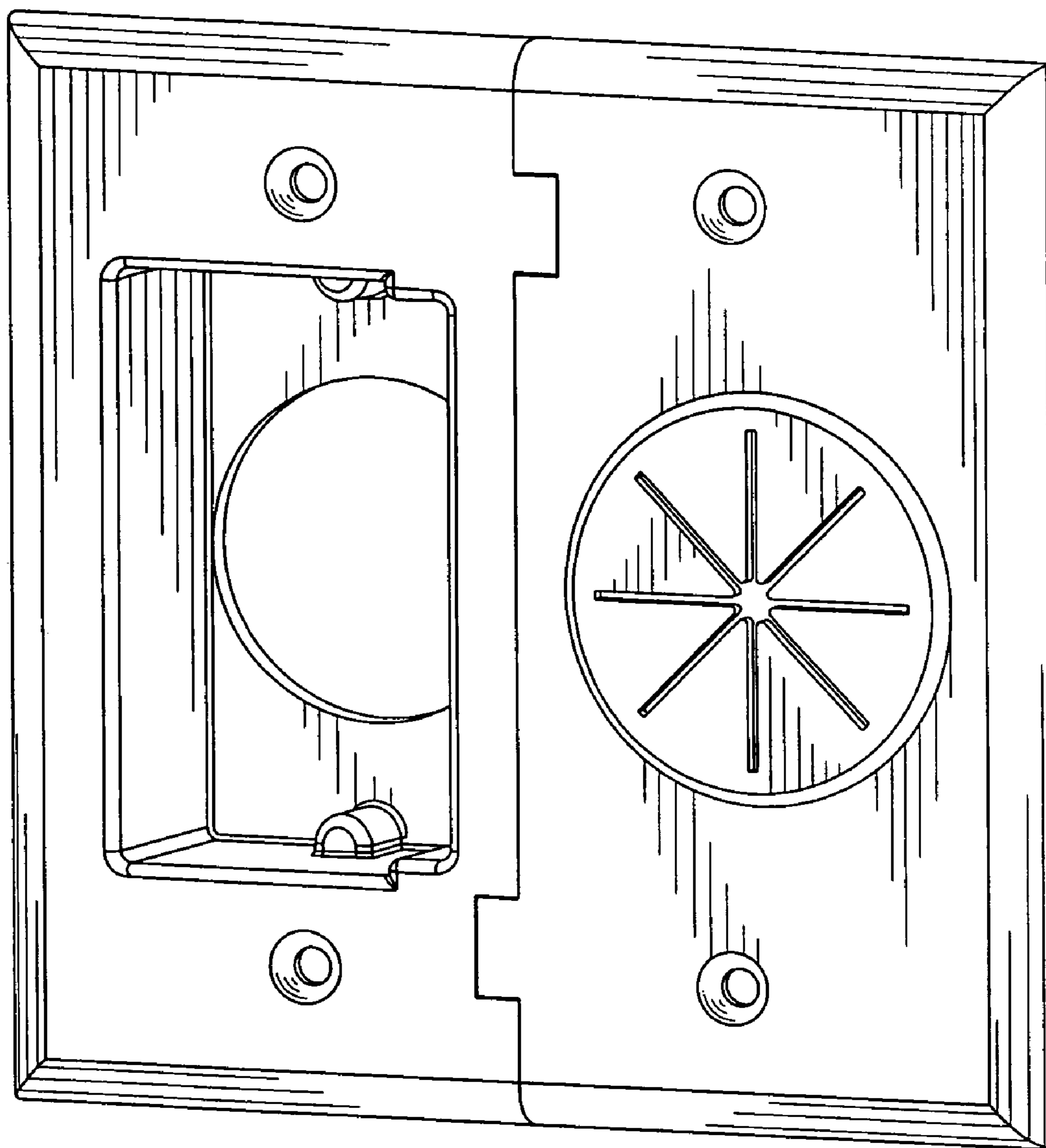


FIG. 2

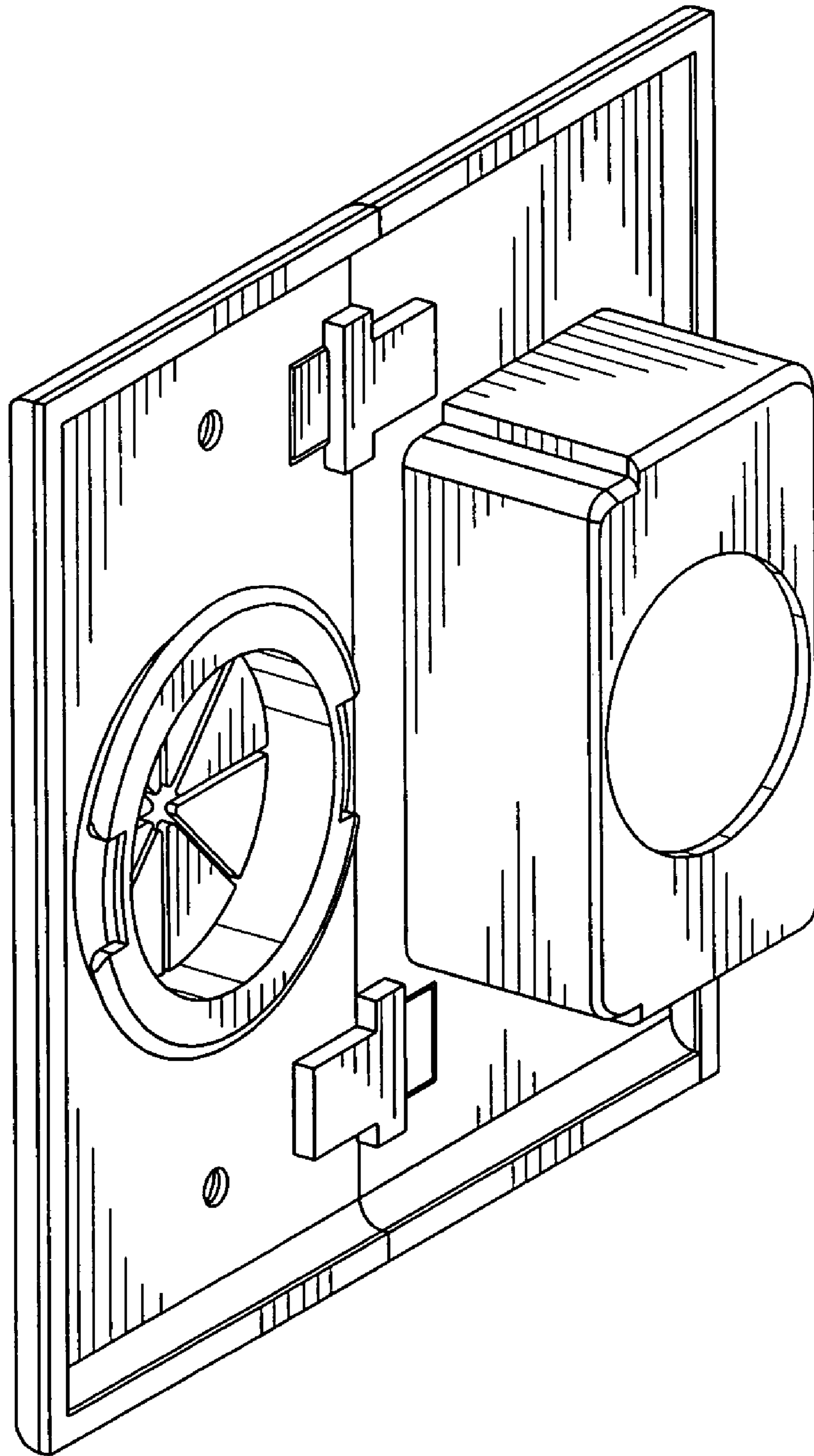


FIG. 3

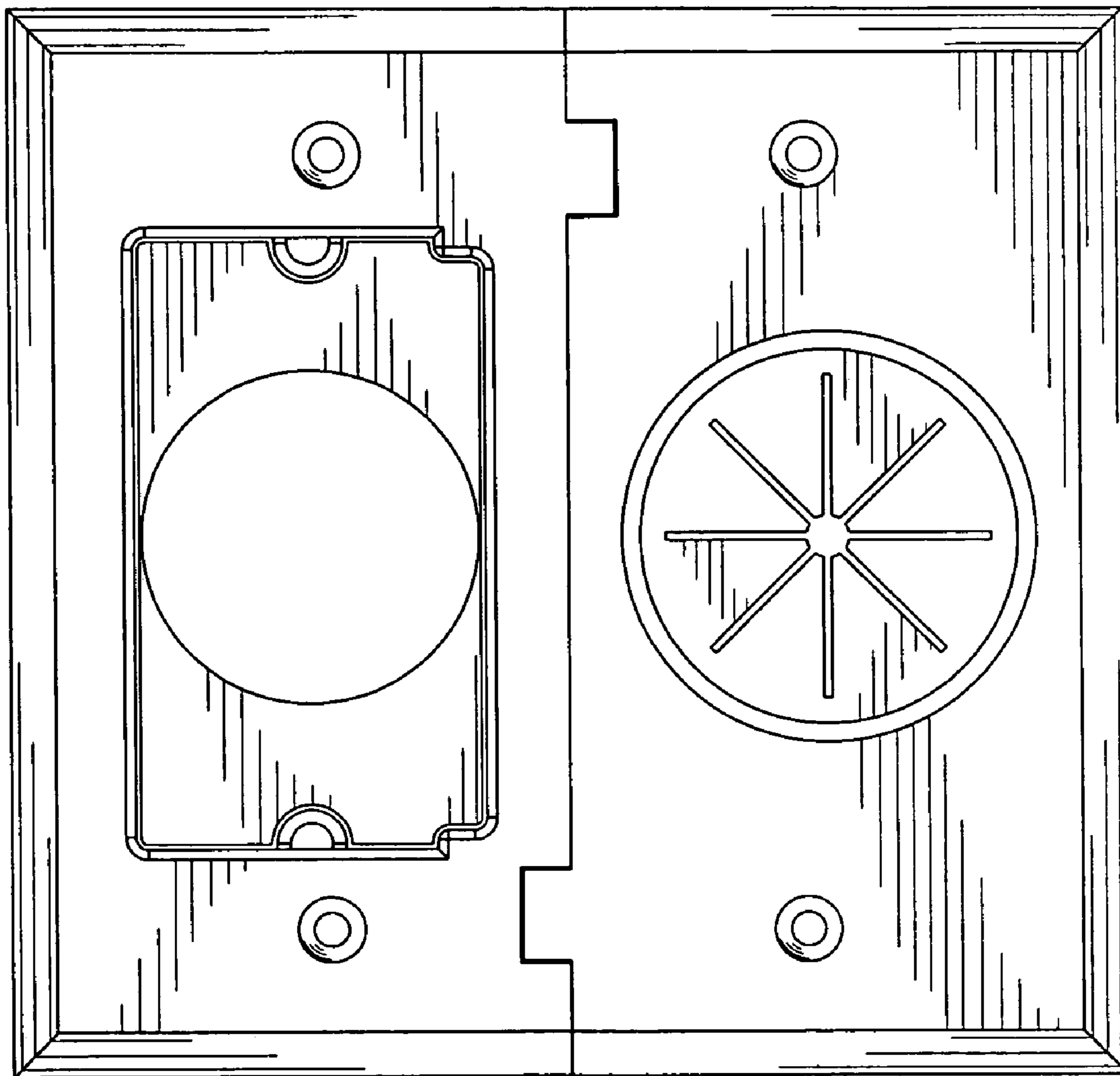


FIG. 4

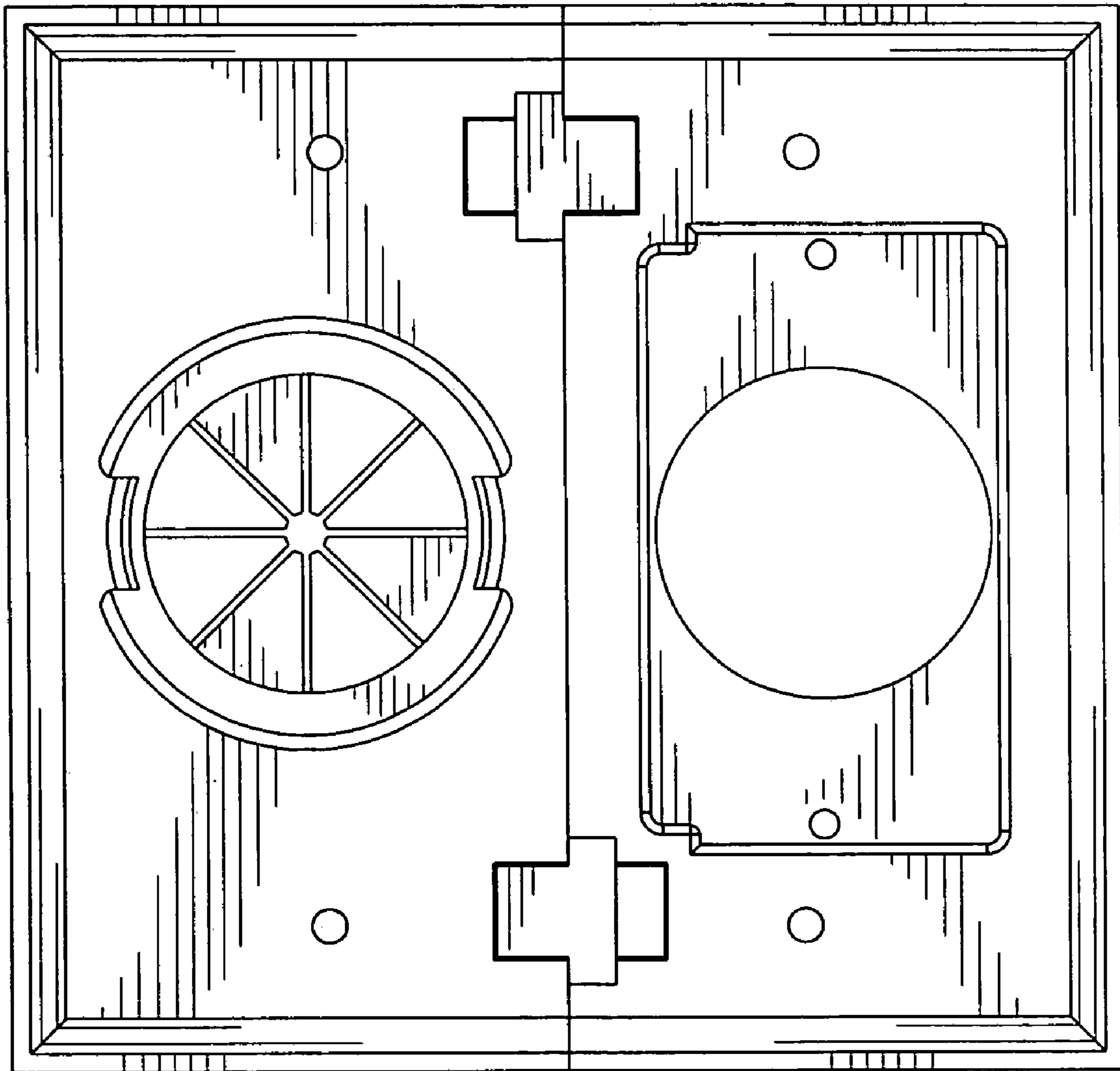


FIG. 5

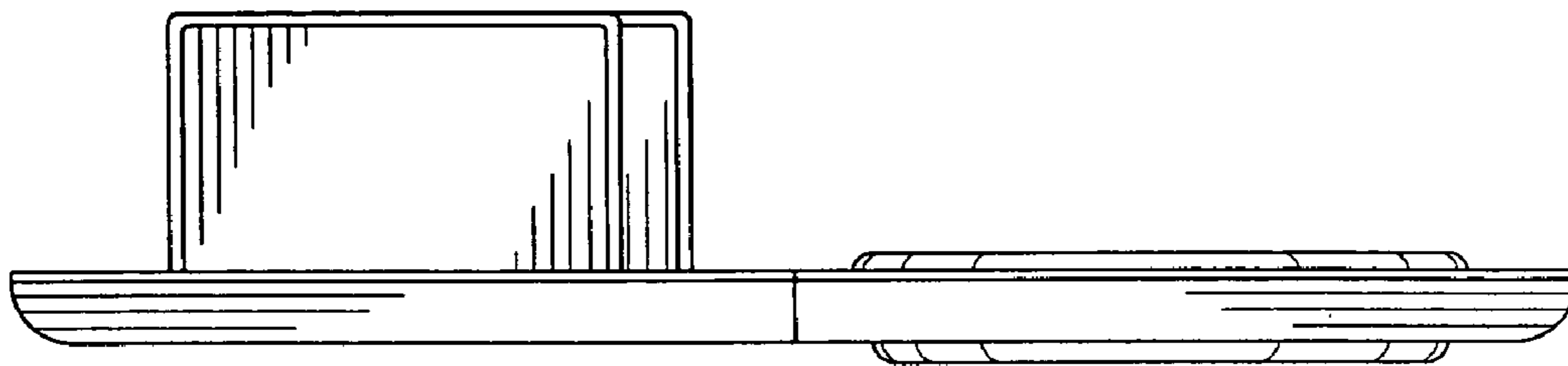


FIG. 6

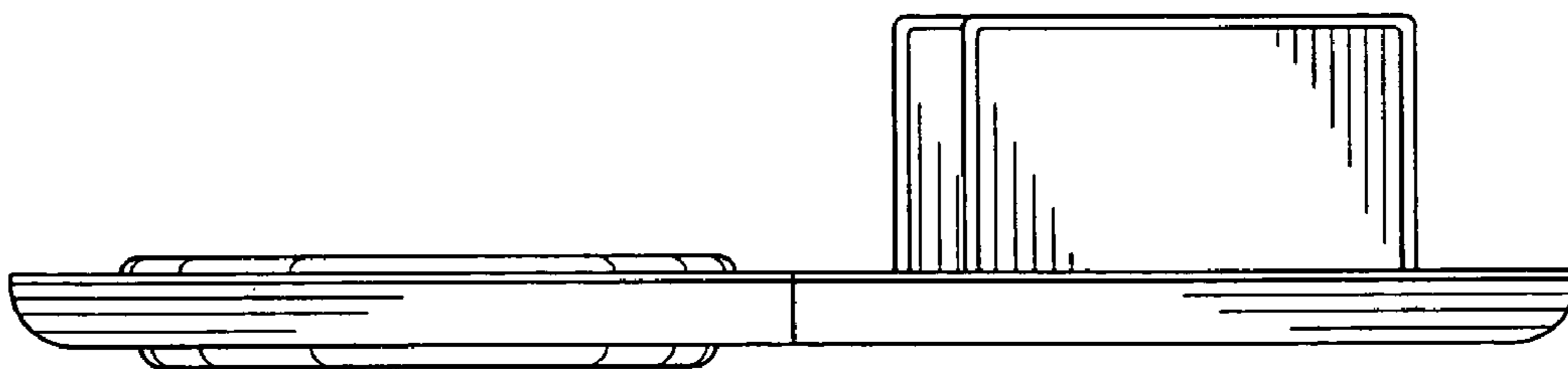


FIG. 7

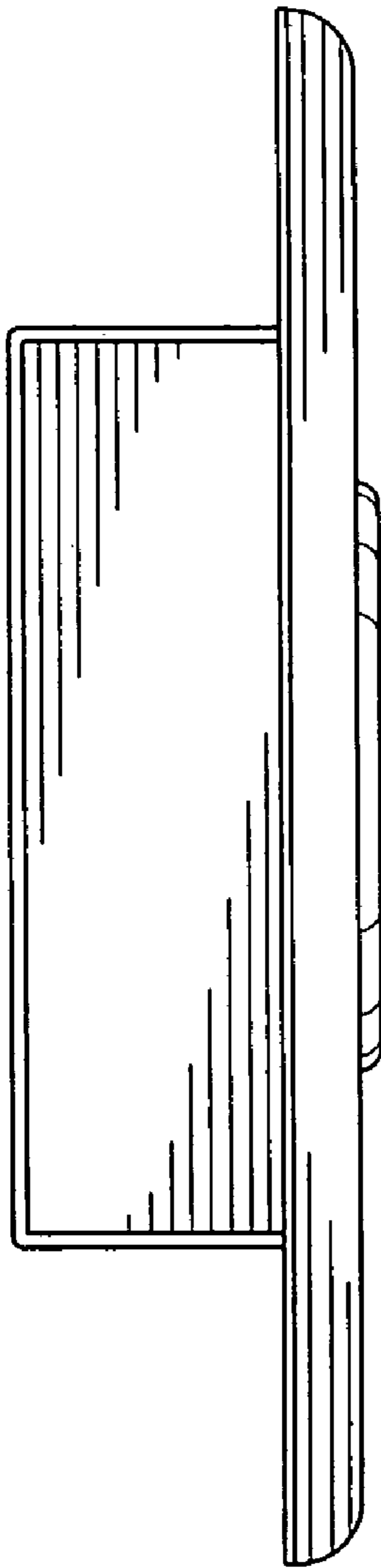


FIG. 8

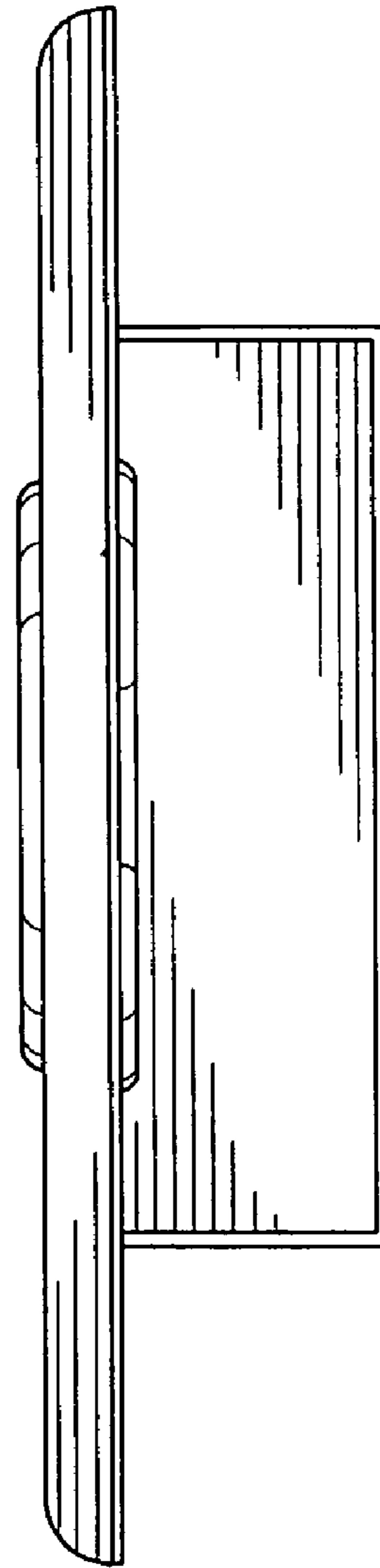


FIG. 9

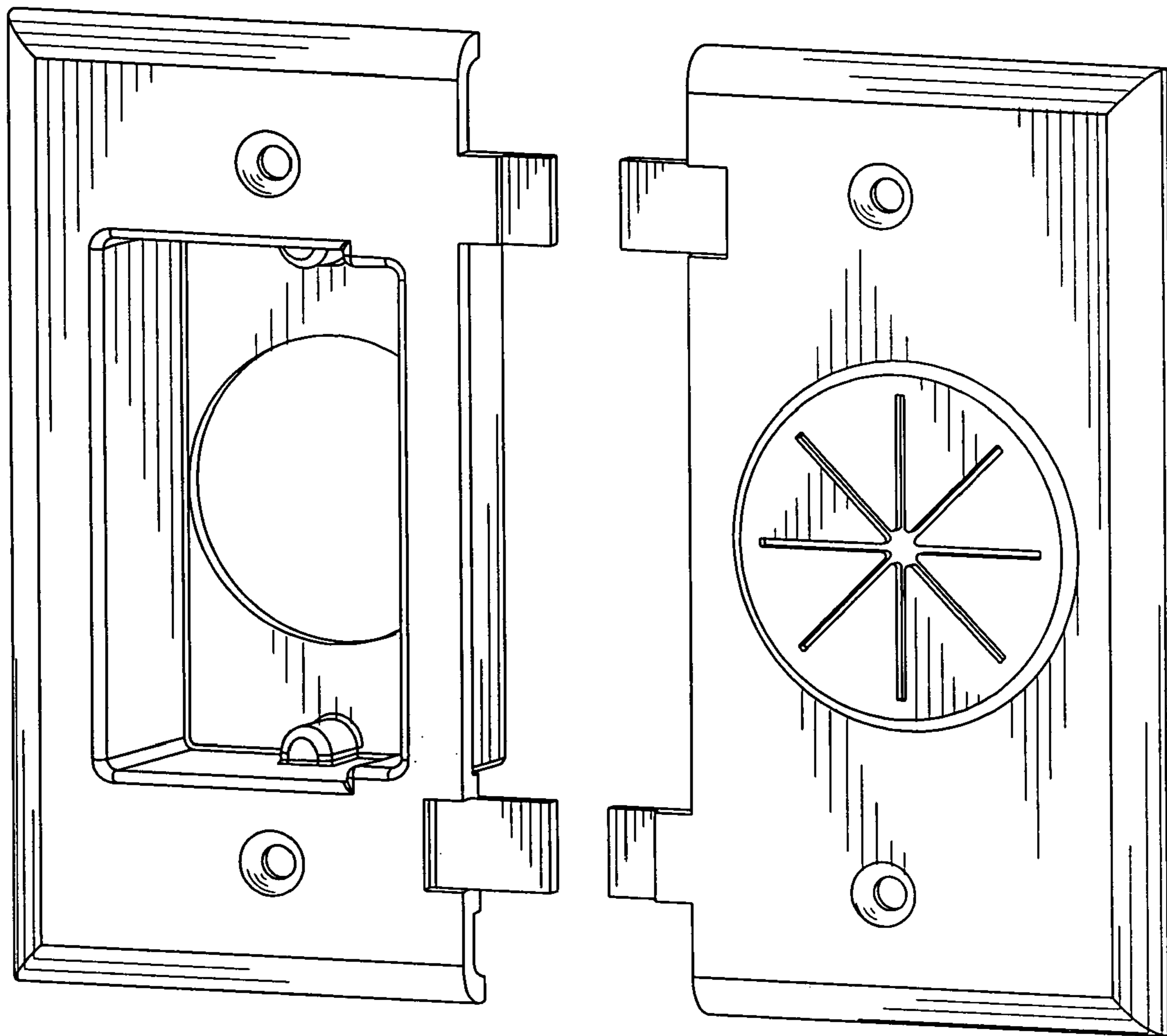


FIG. 10

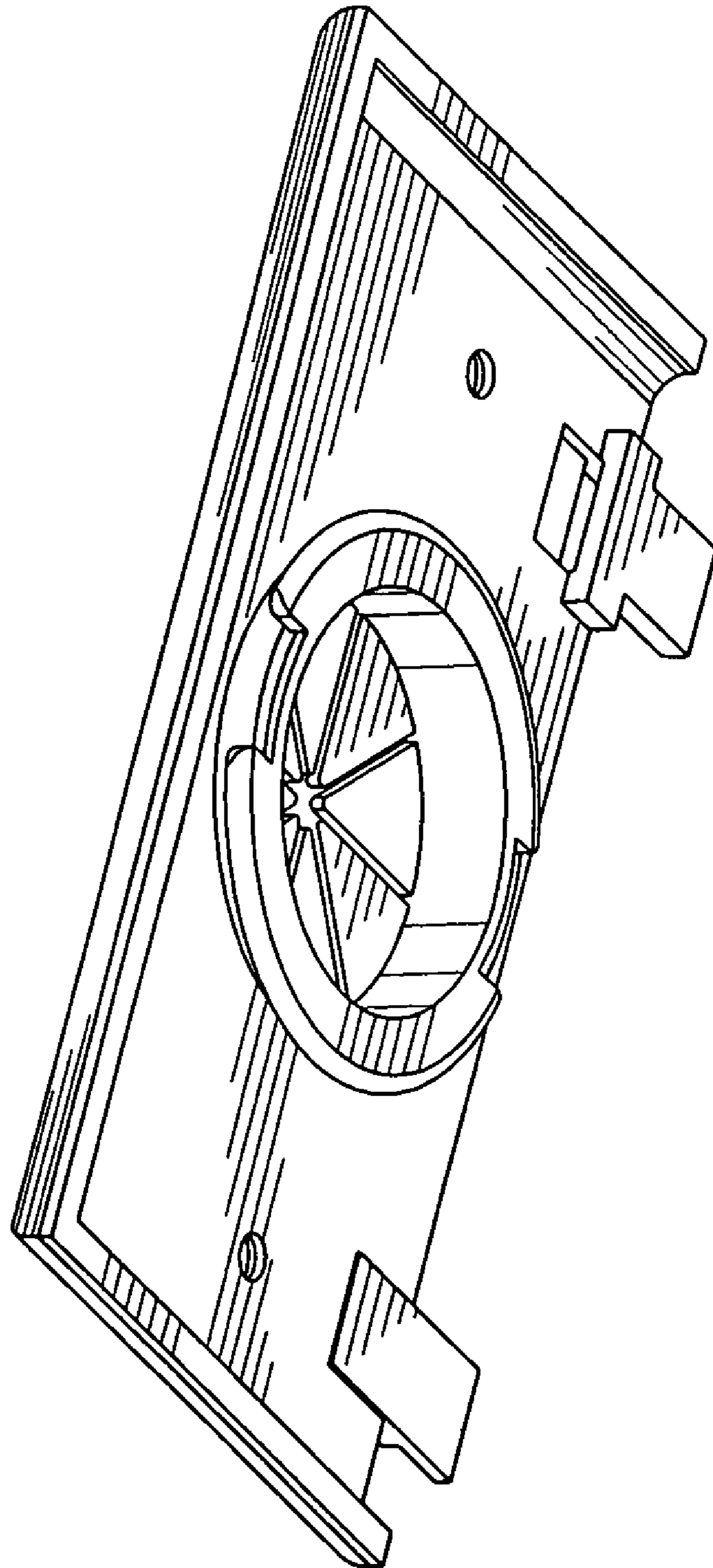


FIG. 11

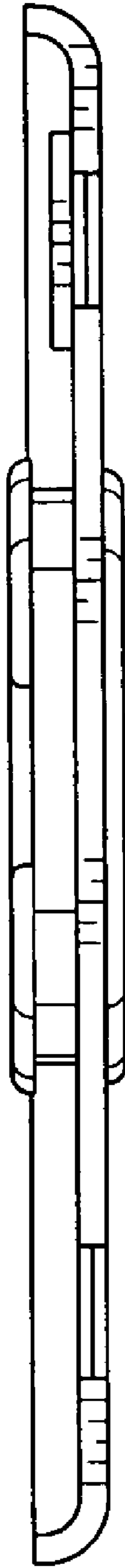


FIG. 12

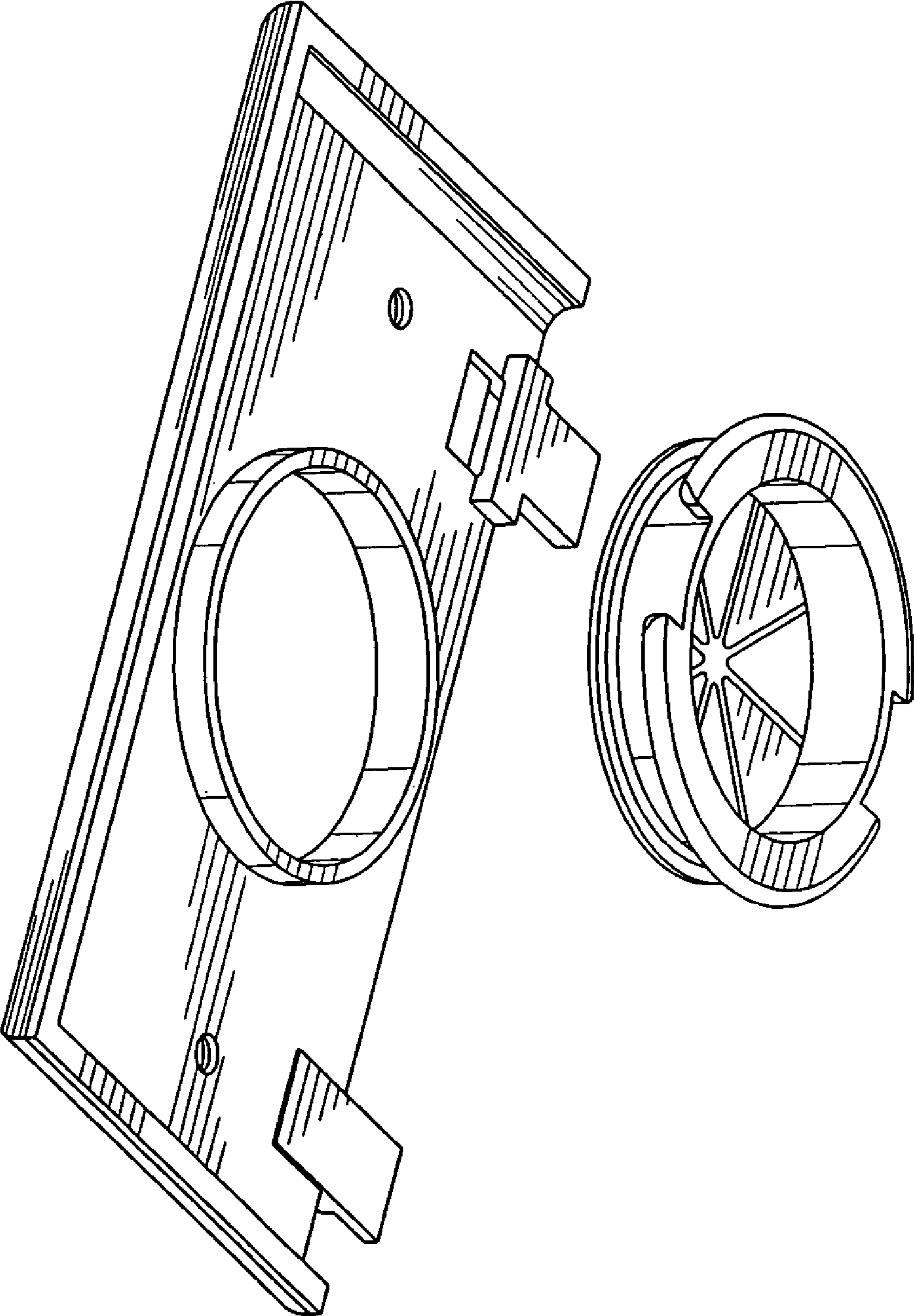


FIG. 13