



US00D585725S

(12) **United States Design Patent**
Le et al.

(10) **Patent No.:** **US D585,725 S**
(45) **Date of Patent:** **** Feb. 3, 2009**

(54) **RECTANGULAR COMPRESSION LATCH**

(75) Inventors: **Tam Thanh Le**, El Monte, CA (US);
Larry Mirick, Manhattan Beach, CA (US)

(73) Assignee: **S.P.E.P. Acquisition Corp.**, Rancho Dominguez, CA (US)

(**) Term: **14 Years**

(21) Appl. No.: **29/281,441**

(22) Filed: **Jun. 22, 2007**

(51) **LOC (9) Cl.** **08-07**

(52) **U.S. Cl.** **D8/331**

(58) **Field of Classification Search** D8/301,
D8/302, 306, 308, 313, 330, 331, 338, 341,
D8/342, 343, 344, 345, 346, 349, 356; D22/108;
70/208, 369, 371, 421; 292/336.3, DIG. 30,
292/DIG. 31

See application file for complete search history.

(56) **References Cited**

U.S. PATENT DOCUMENTS

D303,617 S *	9/1989	Russell et al.	D8/306
D303,618 S *	9/1989	Russell et al.	D8/306
D303,619 S *	9/1989	Russell et al.	D8/313
D303,922 S *	10/1989	Russell et al.	D8/321
D314,131 S *	1/1991	Russell et al.	D8/321
D343,782 S *	2/1994	Gromotka et al.	D8/331
D371,502 S *	7/1996	Morris	D8/331
5,606,882 A *	3/1997	Larsen et al.	70/369
D383,664 S *	9/1997	Bennett	D8/331
D391,139 S *	2/1998	Gilliam	D8/331
D396,397 S *	7/1998	Swan	D8/331
5,983,682 A *	11/1999	Parikh	70/208
D417,603 S *	12/1999	Schlack et al.	D8/338
D418,043 S *	12/1999	Schlack et al.	D8/338

(Continued)

OTHER PUBLICATIONS

Southco 2003 Handbook, Compression & Latches, Southco 62 Compression Latch Lift & Turn Series, pp. 21-23, 48-56.

Primary Examiner—Stella M Reid

Assistant Examiner—Shanda C Hill

(74) *Attorney, Agent, or Firm*—Christie, Parker & Hale, LLP.

(57) **CLAIM**

The ornamental design for rectangular compression latch, as shown and described.

DESCRIPTION

FIG. 1 is a top front right isometric view of the rectangular compression latch of the invention, in its closed position.

FIG. 2 is a top view of the rectangular compression latch of FIG. 1.

FIG. 3 is a right side view of the trigger latch of FIG. 1, the left side view being a mirror image;

FIG. 4 is a front view of the rectangular compression latch of FIG. 1.

FIG. 5 is a rear view of the rectangular compression latch of FIG. 1.

FIG. 6 is a top front right isometric view of the rectangular compression latch of FIG. 1 of the invention, but in its opened position.

FIG. 7 is a top view of the rectangular compression latch of FIG. 6.

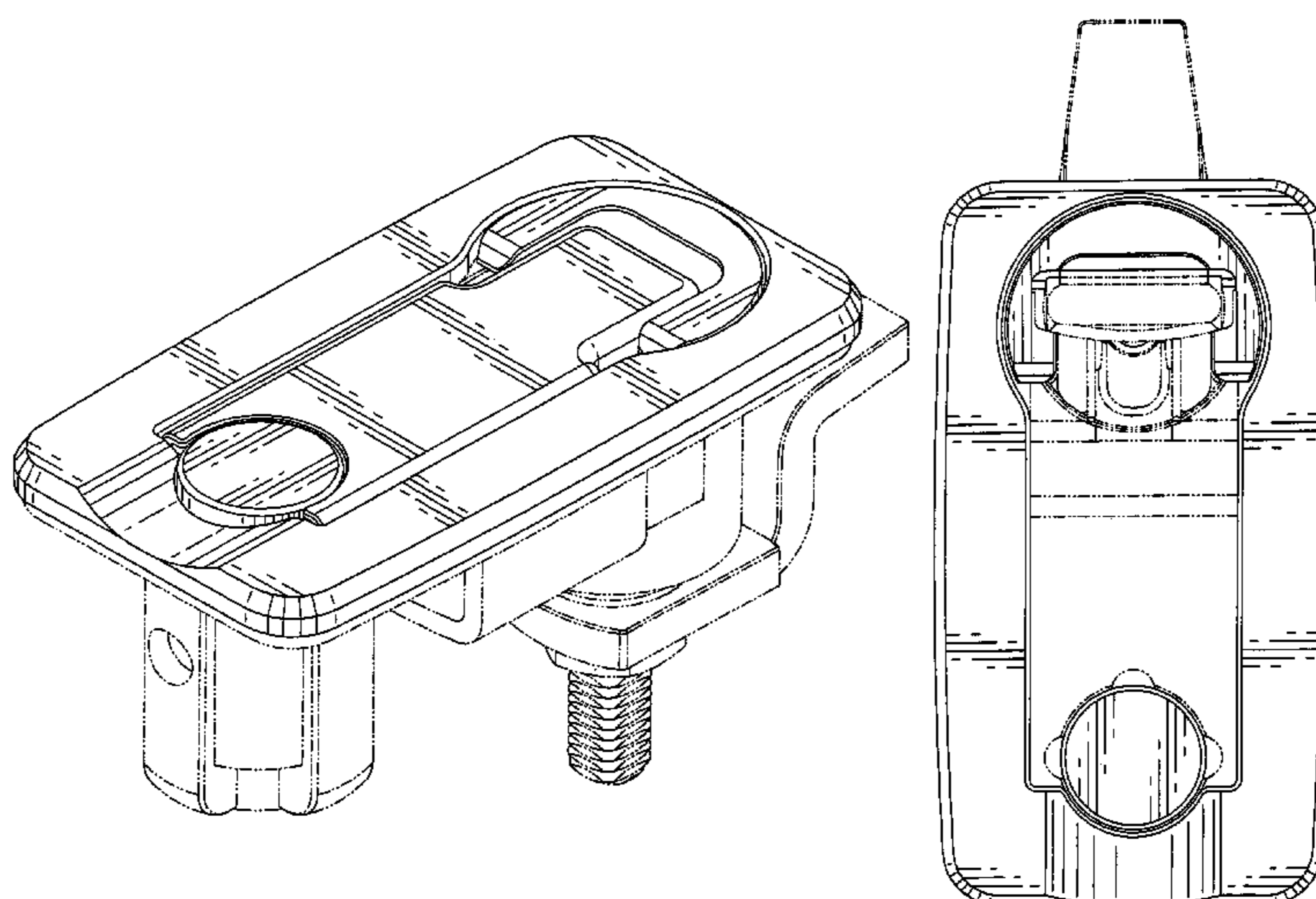
FIG. 8 is a right side view of the trigger latch of FIG. 6, the left side view being a mirror image;

FIG. 9 is a front view of the rectangular compression latch of FIG. 6; and,

FIG. 10 is a rear view of the rectangular compression latch of FIG. 6.

The broken lines shown in the drawing disclosure are for illustrative purposes only and form no part of the claimed design.

1 Claim, 10 Drawing Sheets



US D585,725 S

Page 2

U.S. PATENT DOCUMENTS

D425,775 S *	5/2000	Schlack et al.	D8/331	D483,430 S *	12/2003	Teskey	D22/108
D432,897 S *	10/2000	Spangler	D8/331	D489,959 S	5/2004	Jackson et al.	
6,145,352 A *	11/2000	Vickers et al.	70/208	D504,803 S *	5/2005	Misner et al.	D8/302
D437,203 S *	2/2001	Antonucci et al.	D8/331	6,953,209 B2	10/2005	Jackson, Jr. et al.	
D452,808 S	1/2002	Kyle		D530,181 S	10/2006	Straka, Jr. et al.	
6,418,761 B1	7/2002	Wytcherley et al.		D541,134 S *	4/2007	Antonucci et al.	D8/331
6,460,902 B1	10/2002	Kyle		2005/0110283 A1 *	5/2005	Witiak et al.	292/336.3

* cited by examiner

FIG. 1

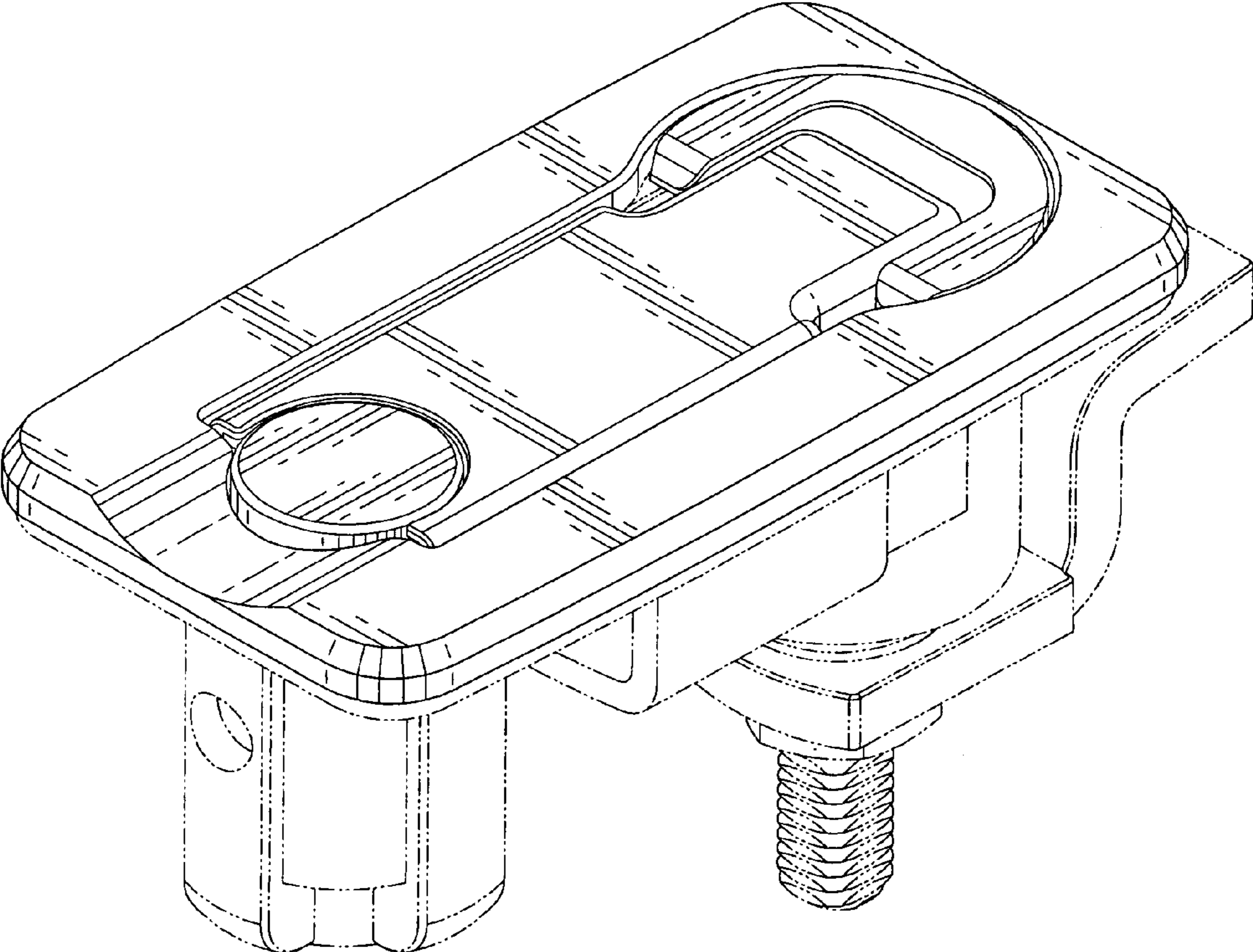


FIG. 2

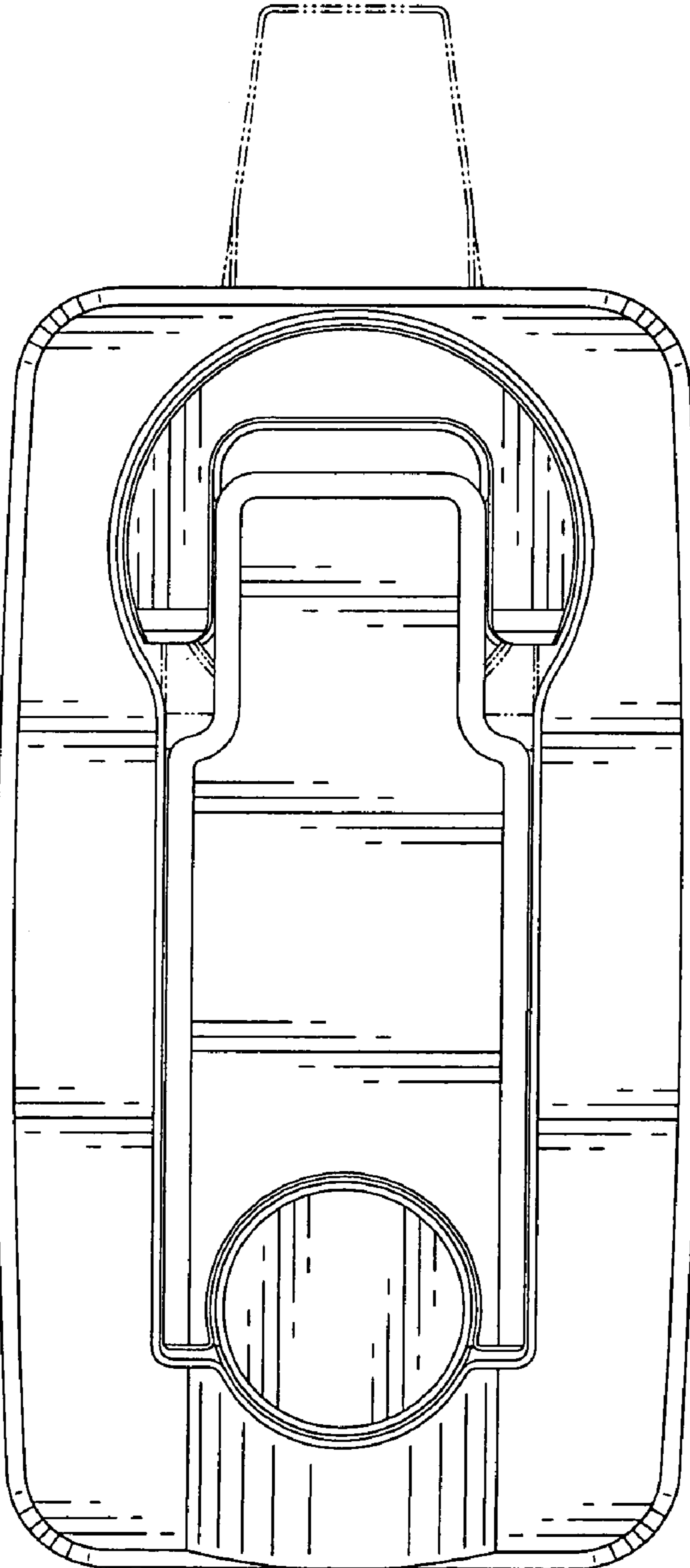


FIG. 3

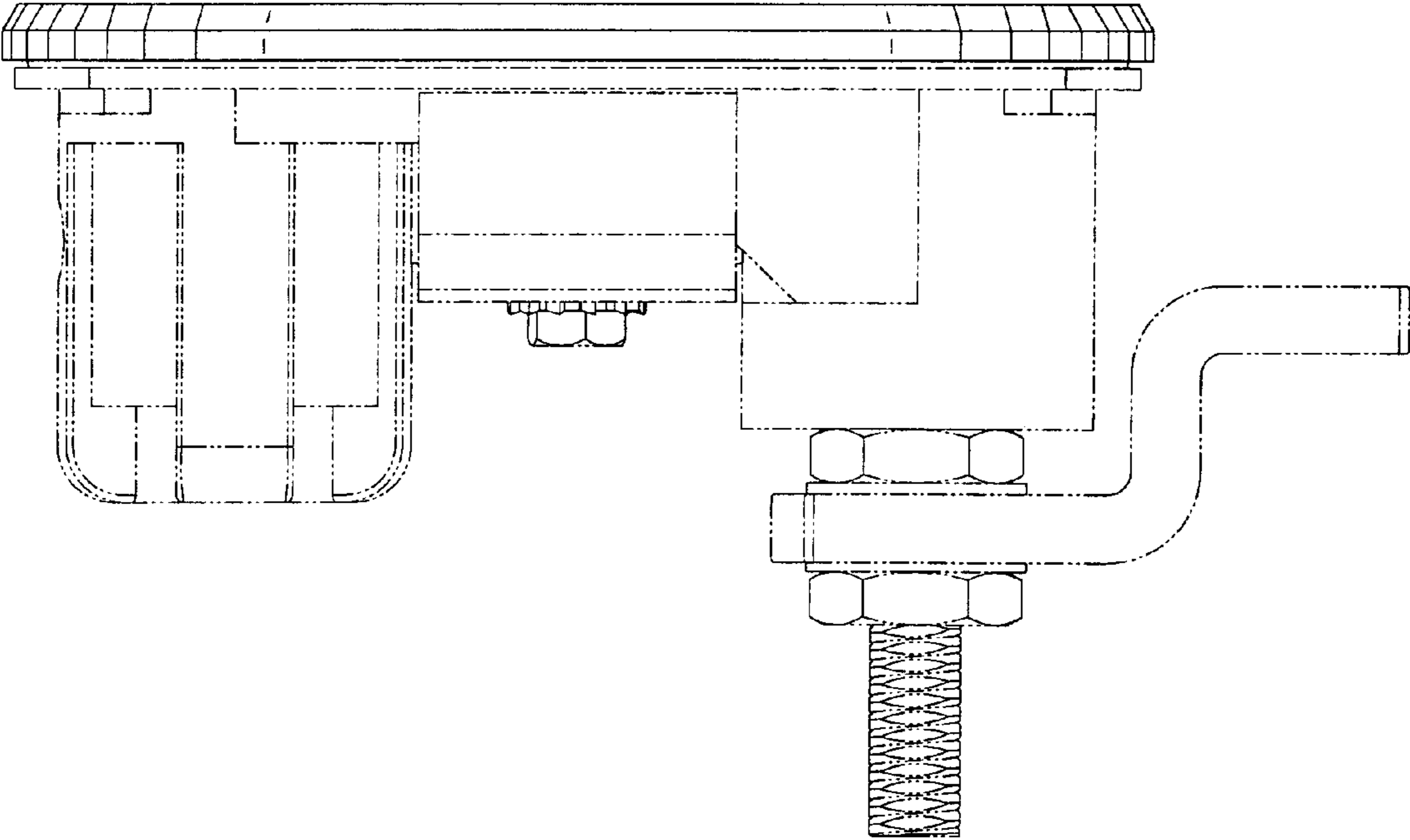


FIG. 4

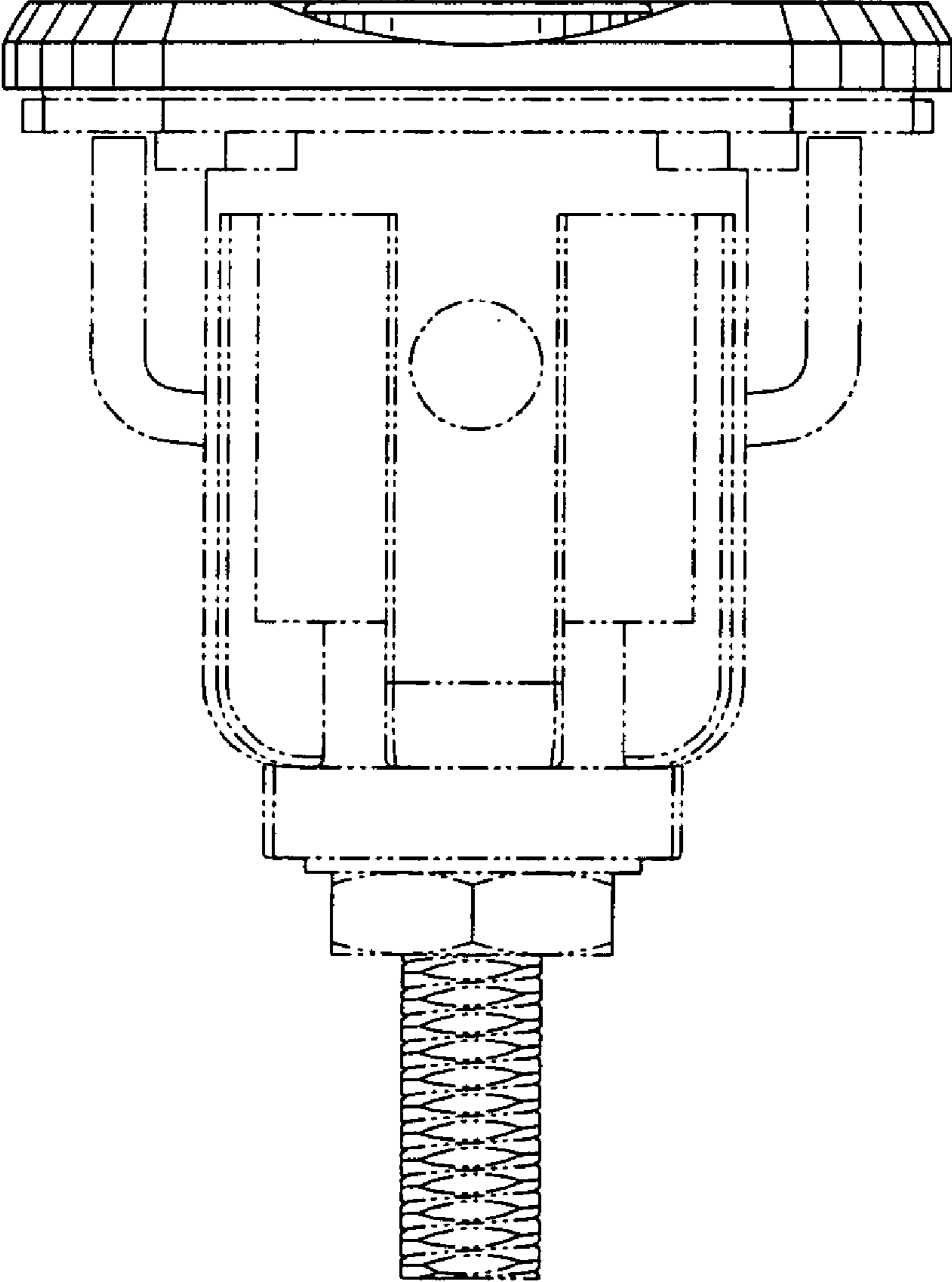


FIG. 5

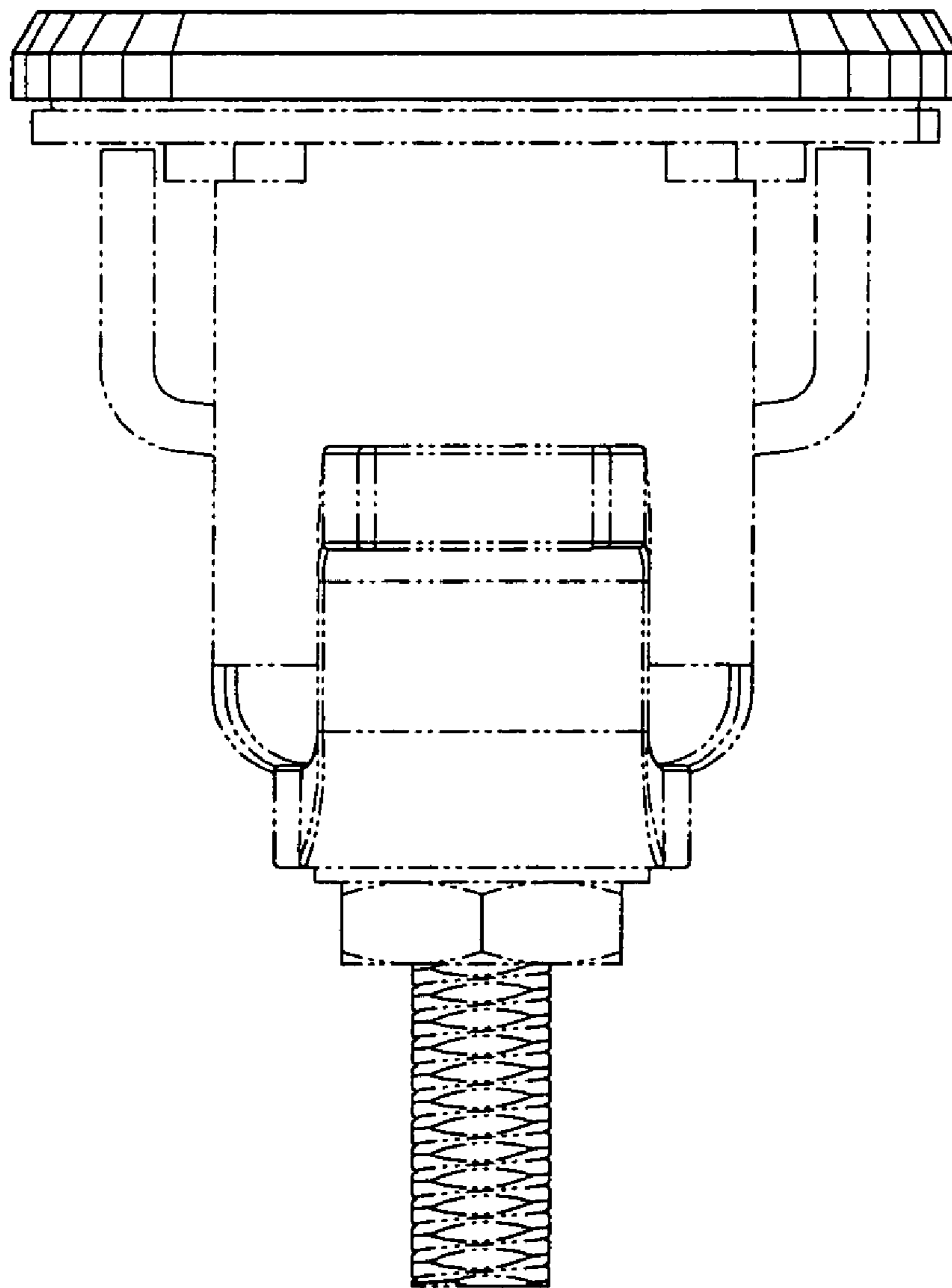


FIG. 6

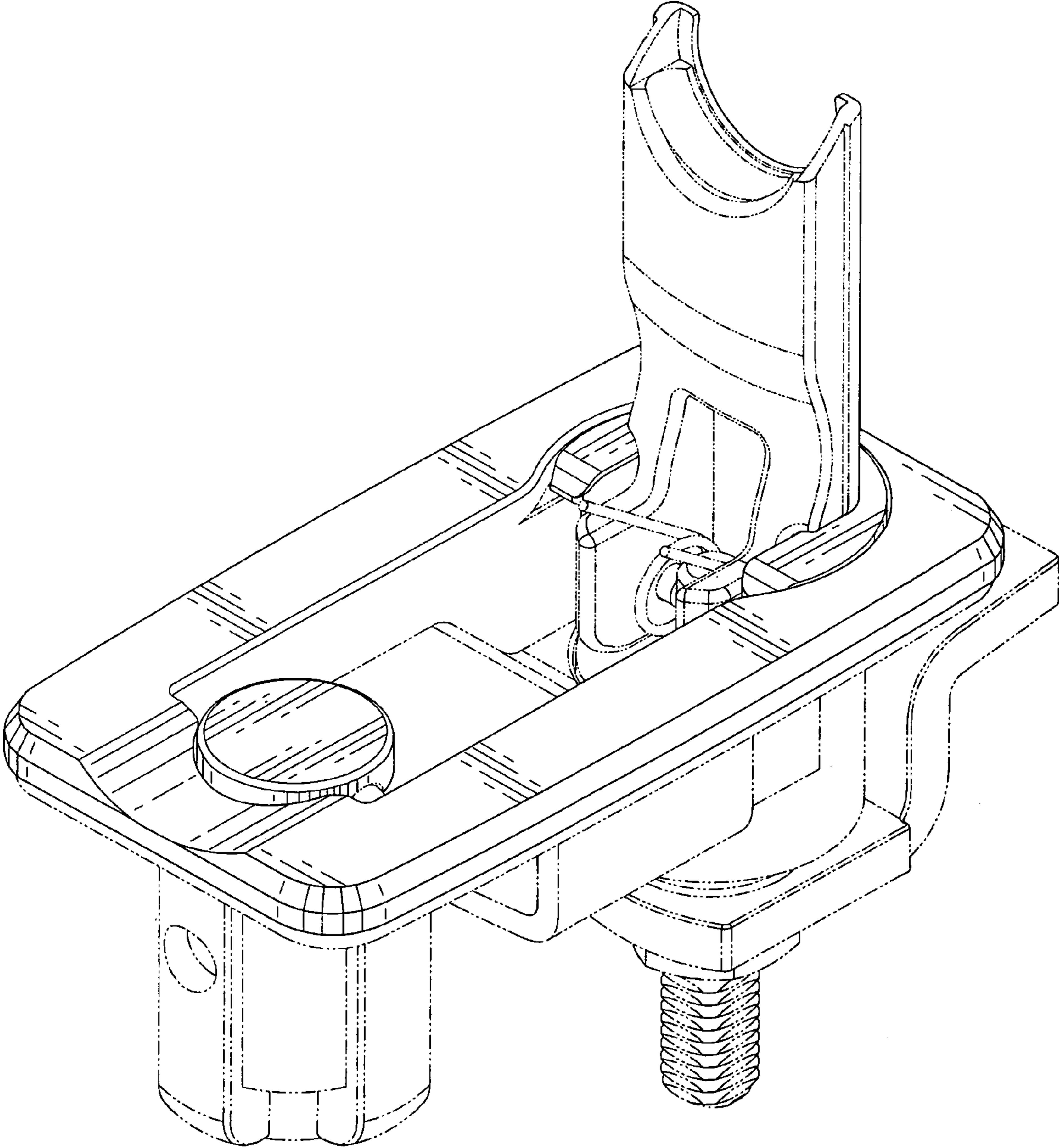


FIG. 7

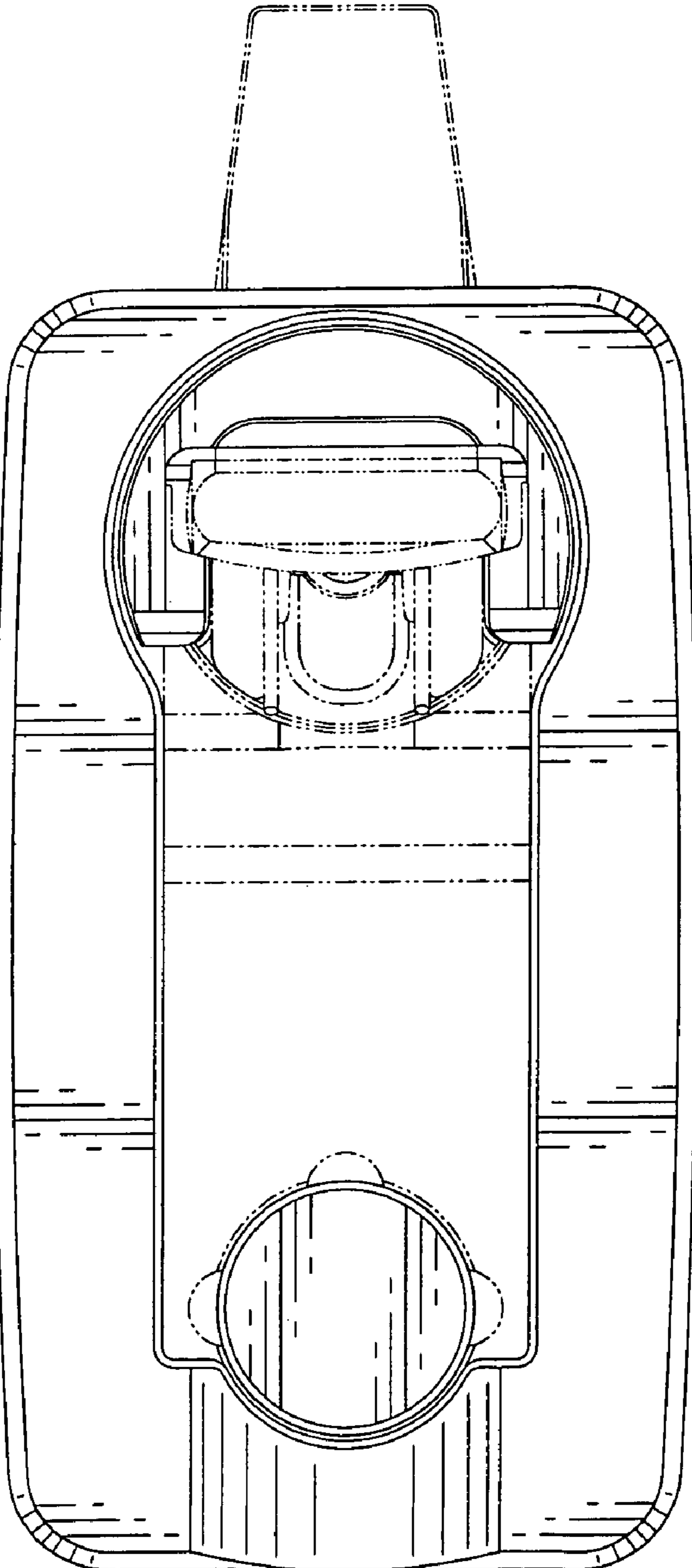


FIG. 8

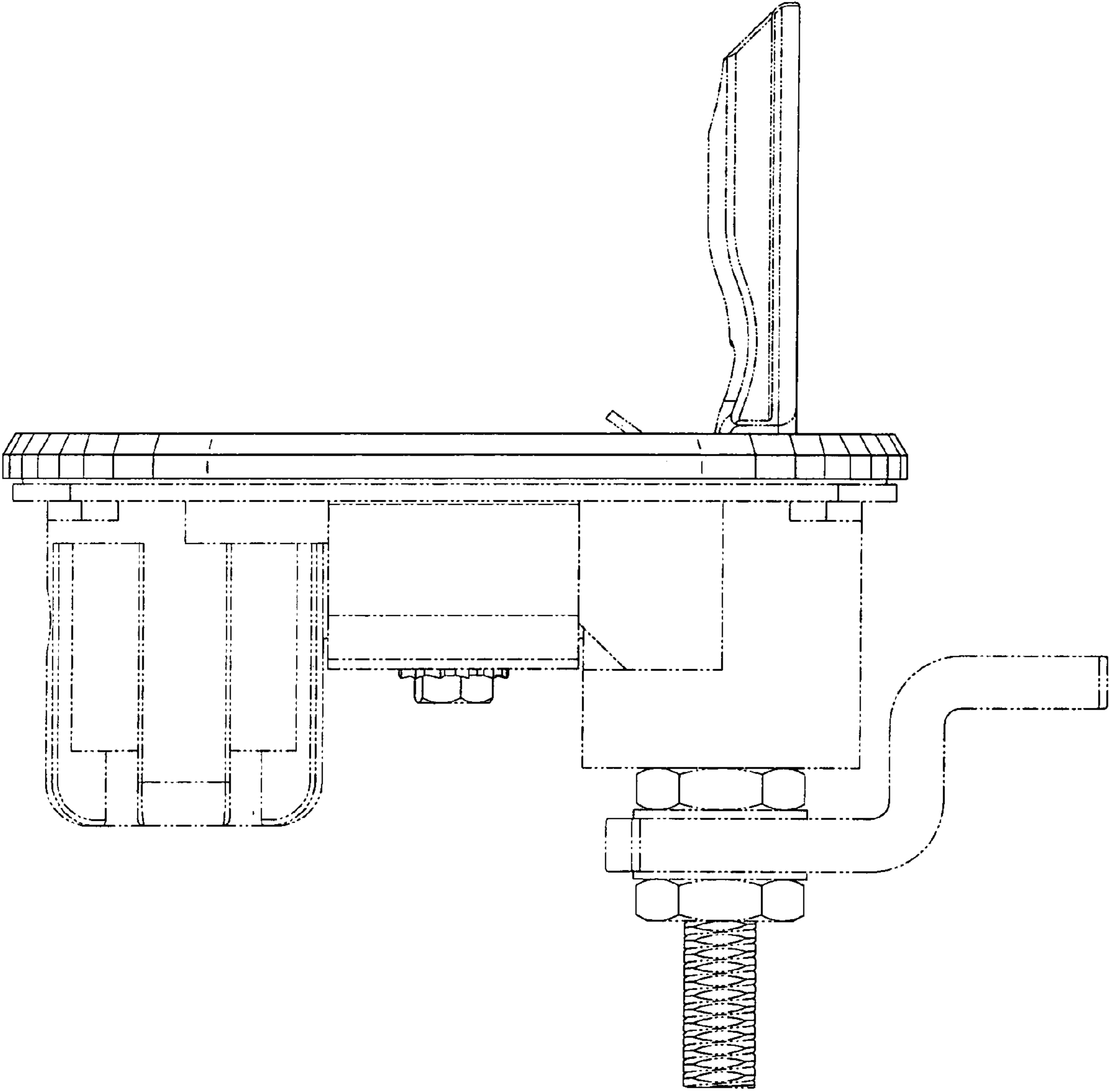


FIG. 9

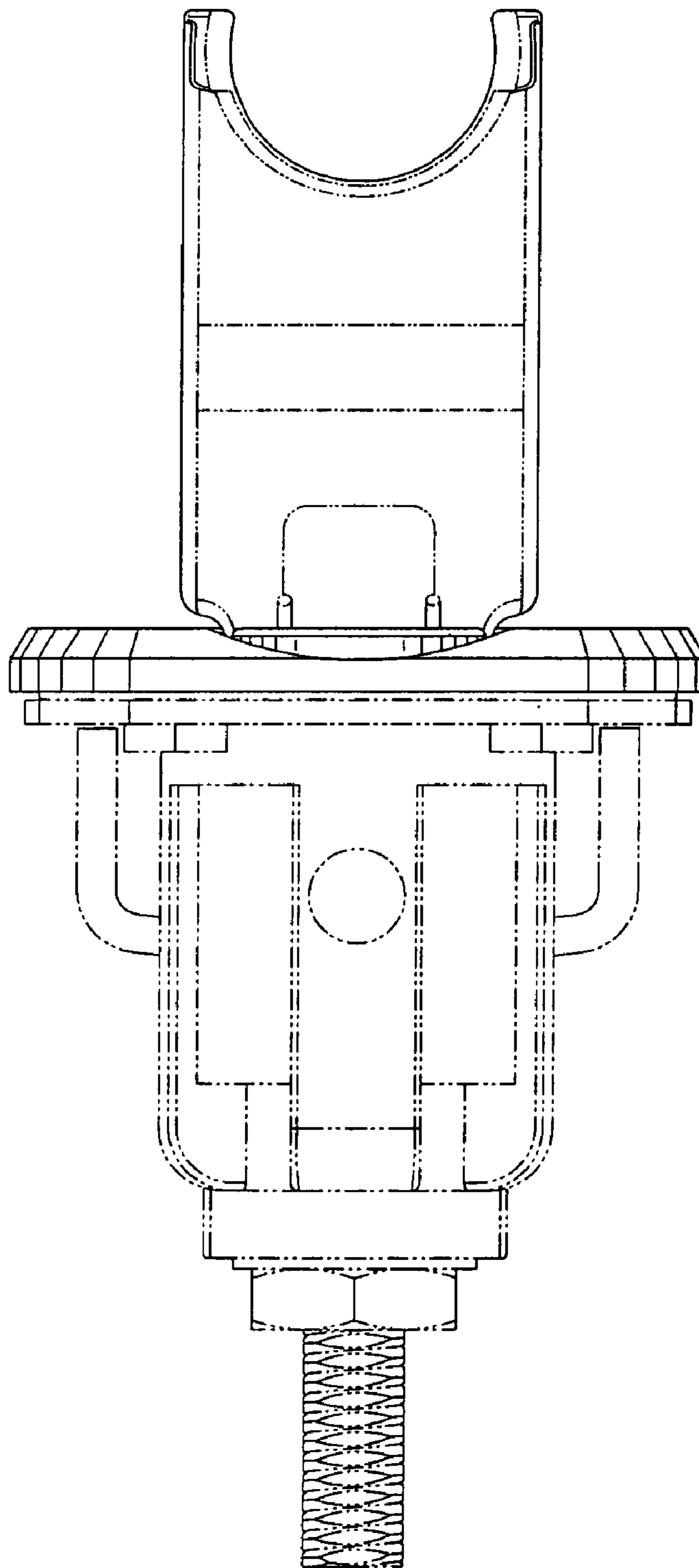


FIG. 10

