



US00D585723S

(12) **United States Design Patent**
Stuckey

(10) **Patent No.:** **US D585,723 S**

(45) **Date of Patent:** **** Feb. 3, 2009**

(54) **BACKING PLATE**

(75) Inventor: **David Martin Stuckey**, Eltham (AU)

(73) Assignee: **Burgundy Trial Pty Ltd** (AU)

(**) Term: **14 Years**

(21) Appl. No.: **29/303,913**

(22) Filed: **Feb. 20, 2008**

(30) **Foreign Application Priority Data**

Aug. 14, 2007 (AU) 19325/2007

(51) **LOC (9) Cl.** **08-06**

(52) **U.S. Cl.** **D8/321; D8/313**

(58) **Field of Classification Search** D8/331,
D8/341, 338, 333, 300-303, 306, 321, 350-353,
D8/311-314, 316, DIG. 1; D12/190, 195,
D12/404, 405; 292/356, 357, 207, 223, DIG. 31;
70/91, 101, 208, 211; 16/412, 413, 416,
16/445, 402, 11 R, 111 R

See application file for complete search history.

(56) **References Cited**

U.S. PATENT DOCUMENTS

2,668,076	A *	2/1954	Troche et al.	292/336.3
2,735,706	A *	2/1956	Pelcin	292/34
2,763,503	A *	9/1956	Tasch et al.	292/173
2,871,048	A *	1/1959	Balogh	292/173
3,209,564	A *	10/1965	Pelcin	70/471
D210,152	S *	2/1968	Pastva	D8/341
4,370,874	A *	2/1983	Munn	70/204
D271,562	S *	11/1983	Weinerman	D8/338
4,706,478	A *	11/1987	Swan et al.	70/28
D303,617	S *	9/1989	Russell et al.	D8/306
D303,620	S *	9/1989	Russell et al.	D8/313
D303,621	S *	9/1989	Russell et al.	D8/313
D303,922	S *	10/1989	Russell et al.	D8/321
D304,155	S *	10/1989	Russell et al.	D8/303
D314,131	S *	1/1991	Russell et al.	D8/321
5,042,853	A *	8/1991	Gleason et al.	292/126
5,526,660	A *	6/1996	Bennett et al.	70/208
D413,056	S *	8/1999	Sokurenko et al.	D8/331
5,984,383	A *	11/1999	Parikh et al.	292/121
D420,564	S *	2/2000	Willems	D8/343
D439,500	S *	3/2001	Mirick	D8/352

6,349,577	B1 *	2/2002	Hansen et al.	70/159
D459,973	S *	7/2002	Weinerman et al.	D8/353
D460,680	S *	7/2002	Weinerman et al.	D8/353
6,454,321	B1 *	9/2002	Parikh	292/216
D464,863	S *	10/2002	Teskey	D8/306
D465,399	S *	11/2002	Weinerman et al.	D8/302
D466,789	S *	12/2002	Jeffries	D8/352
6,623,052	B2 *	9/2003	Hansen	292/336.3
6,651,467	B1 *	11/2003	Weinerman et al.	70/208
D488,052	S *	4/2004	Hansen	D8/352
D488,702	S *	4/2004	Hansen	D8/350
D488,994	S *	4/2004	Hansen	D8/350
D490,292	S *	5/2004	Hansen	D8/352
D501,129	S *	1/2005	Hansen	D8/321
D501,393	S *	2/2005	Hansen	D8/321
D505,310	S *	5/2005	Lorusso	D8/302
6,952,940	B2 *	10/2005	Molzer et al.	70/210
6,976,375	B2 *	12/2005	Minix	70/208
D520,336	S *	5/2006	Hansen	D8/321
D556,538	S *	12/2007	Weinerman et al.	D8/330
2003/0111848	A1 *	6/2003	Hansen	292/336.3
2005/0257582	A1 *	11/2005	Minix	70/208

* cited by examiner

Primary Examiner—Stella M Reid

Assistant Examiner—Mark A Goodwin

(74) *Attorney, Agent, or Firm*—Craig A. Fieschko, Esq.;
DeWitt Ross & Stevens S.C.

(57) **CLAIM**

The ornamental design for a backing plate as shown and described.

DESCRIPTION

FIG. 1 is a top perspective view of the backing plate showing our new design;

FIG. 2 is a bottom perspective view of the backing plate of FIG. 1;

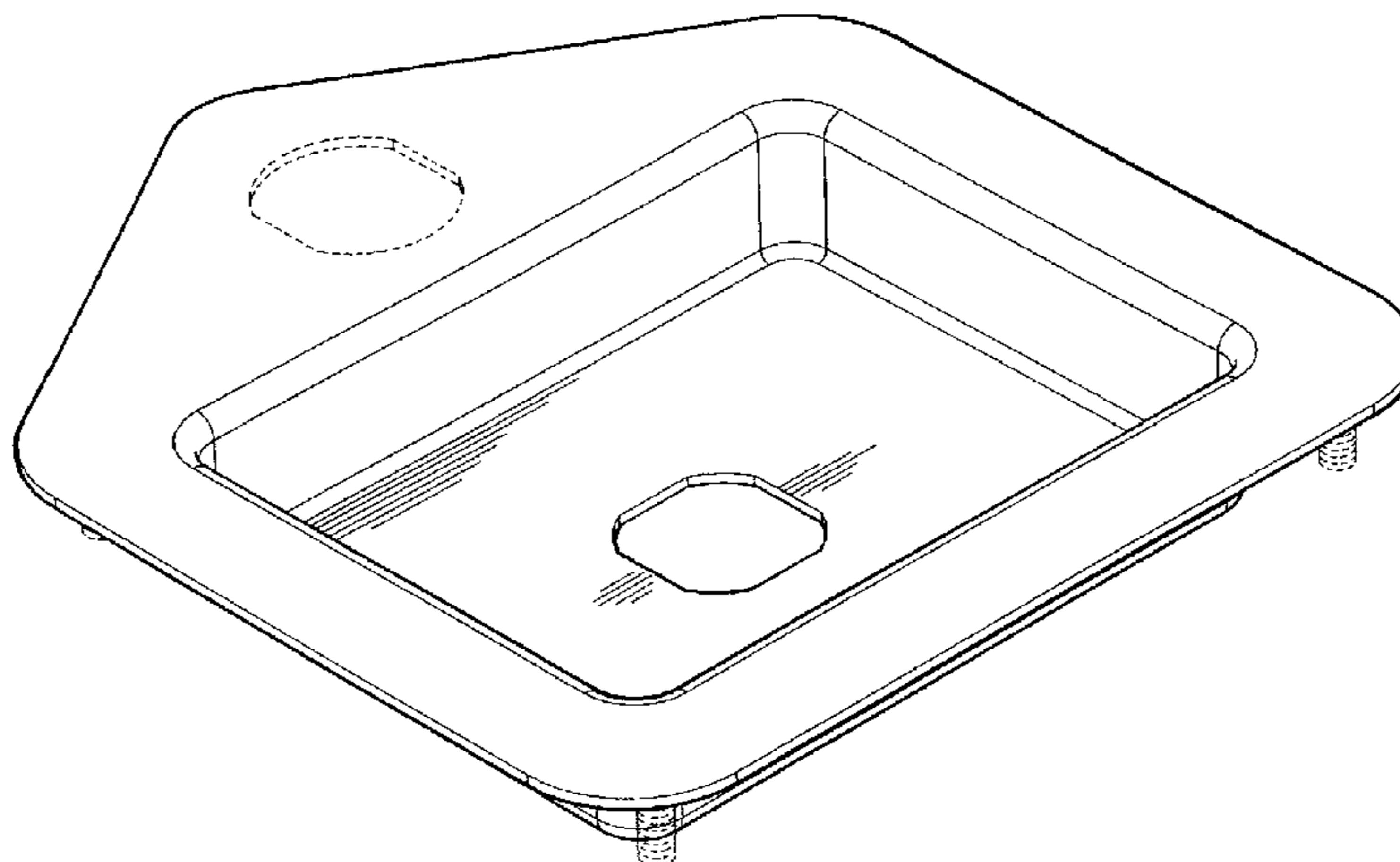
FIG. 3 is a top view of the backing plate of FIG. 1;

FIG. 4 is an end view of the backing plate of FIG. 1; and,

FIG. 5 is a side view of the backing plate of FIG. 1.

The dash lines shown in the drawings are for illustrative purposes only and form no part of the claimed design.

1 Claim, 2 Drawing Sheets



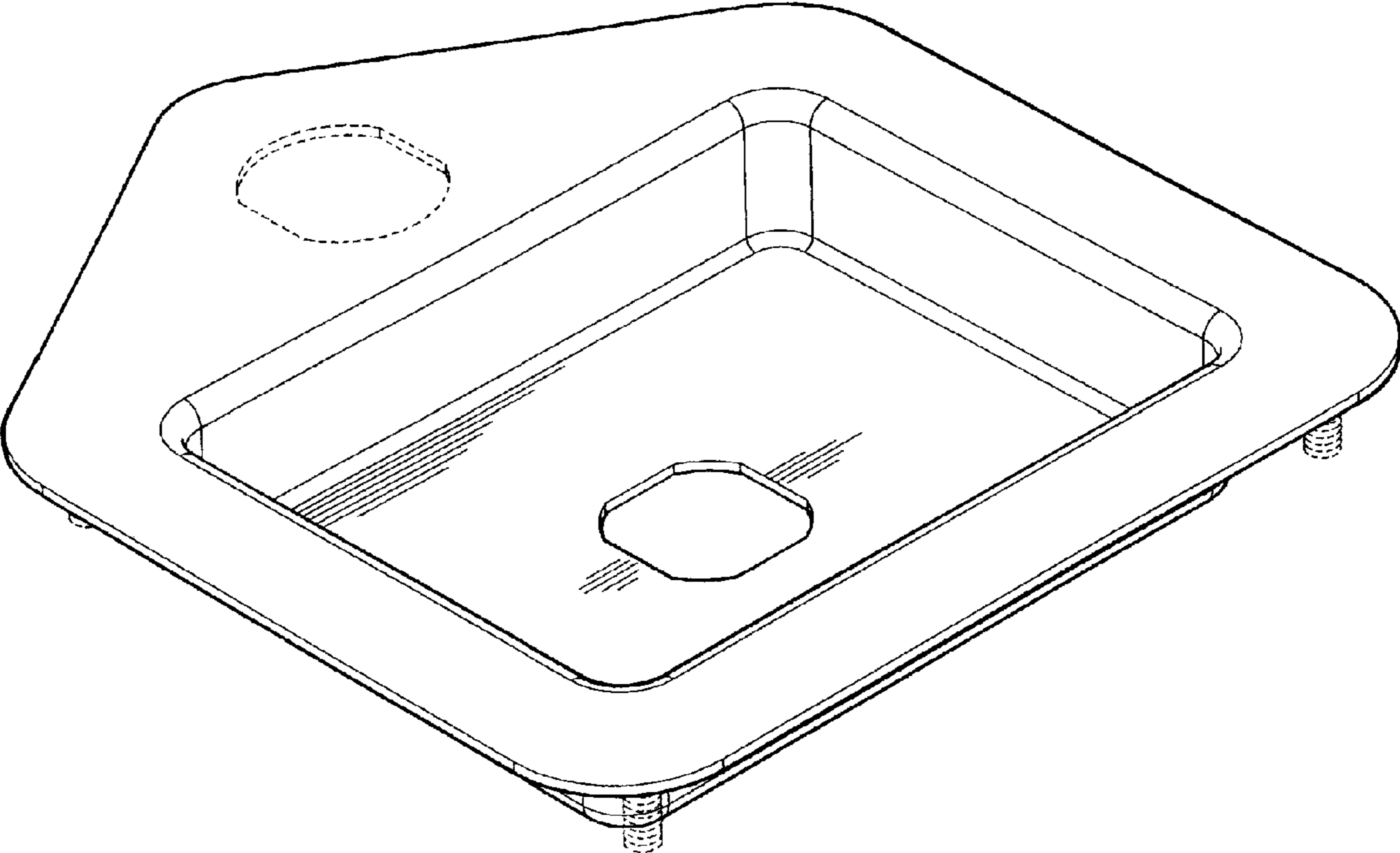


FIG. 1

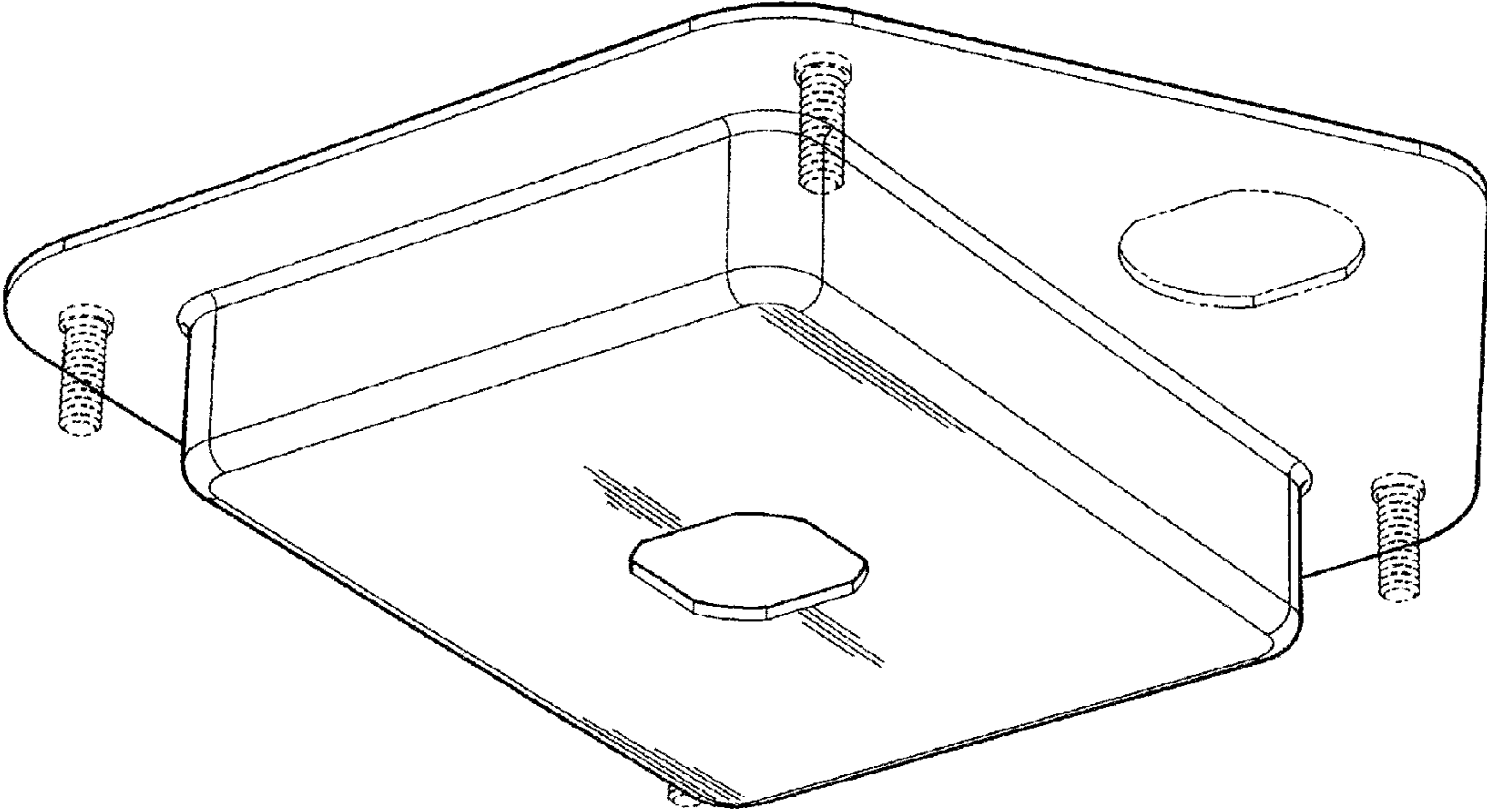


FIG. 2

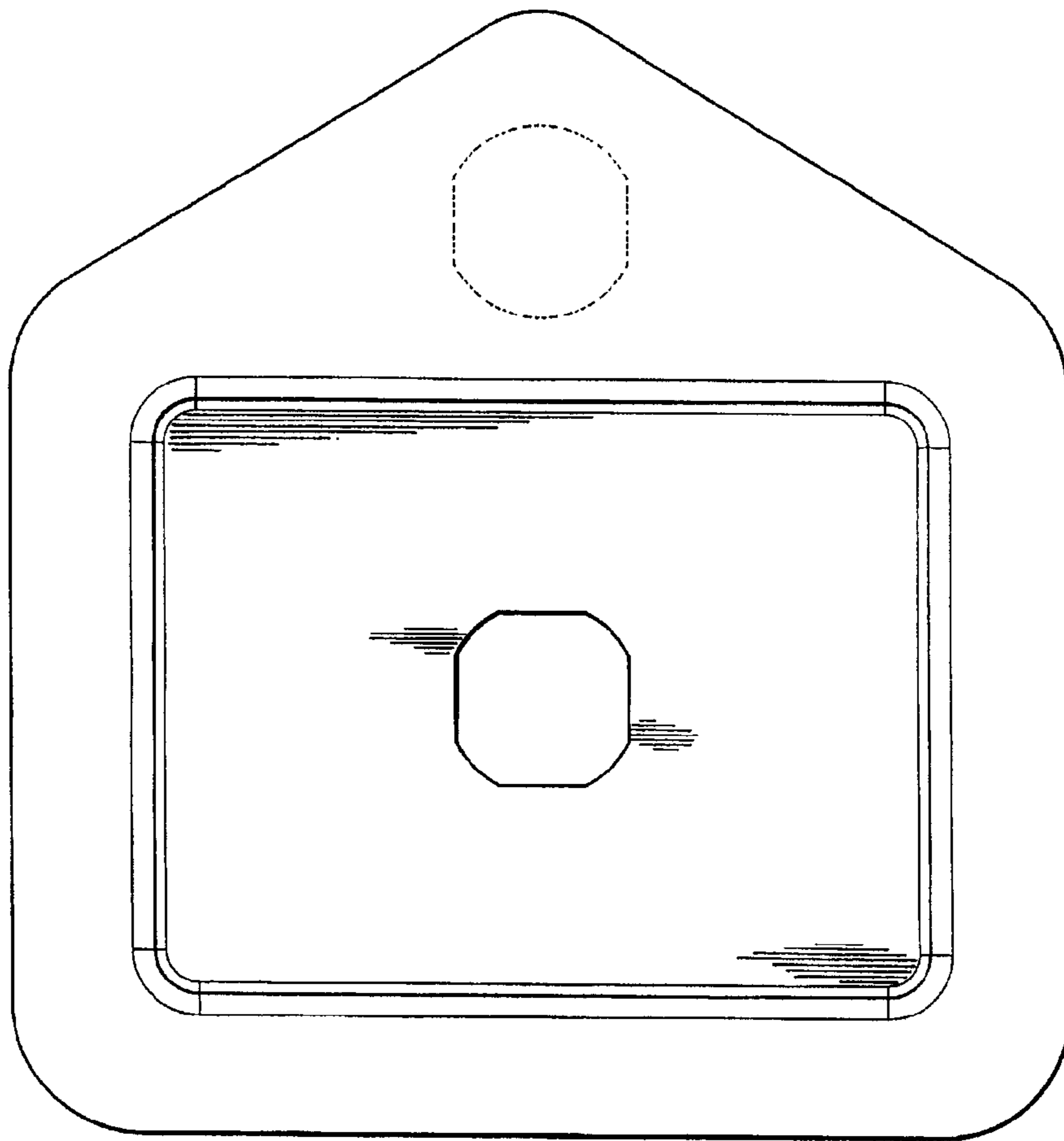


FIG. 3

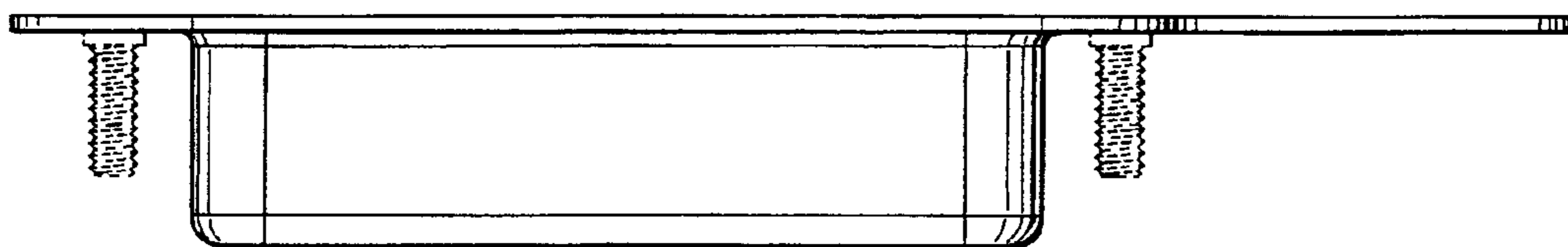


FIG. 4

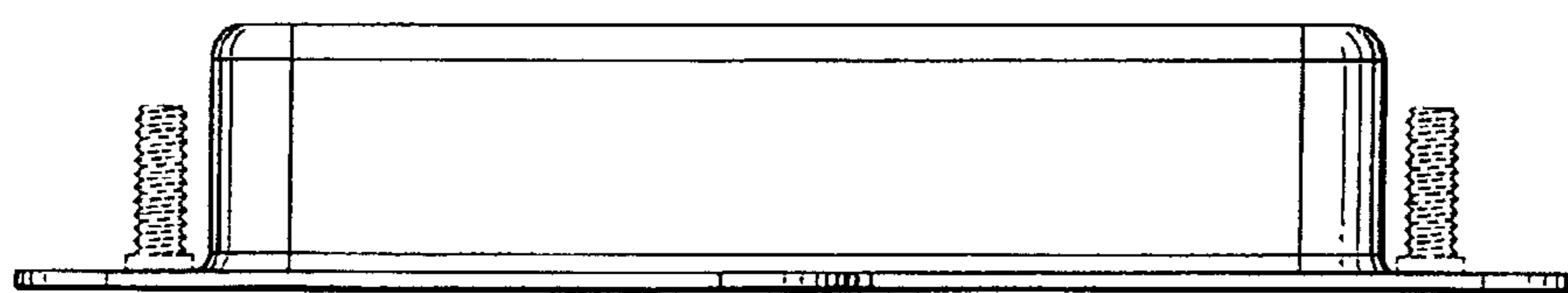


FIG. 5