



US00D585721S

(12) **United States Design Patent**
Le et al.

(10) **Patent No.:** **US D585,721 S**
(45) **Date of Patent:** **** Feb. 3, 2009**

- (54) **L-HANDLE WITH HEPTAGONAL ESCUTCHEON**
- (75) Inventors: **Tam Thanh Le**, El Monte, CA (US);
Larry Mirick, Manhattan Beach, CA (US)
- (73) Assignee: **S.P.E.P. Acquisition Corp.**, Rancho Dominguez, CA (US)
- (**) Term: **14 Years**
- (21) Appl. No.: **29/295,625**
- (22) Filed: **Oct. 2, 2007**
- (51) **LOC (9) Cl.** **08-06**
- (52) **U.S. Cl.** **D8/308; D8/302**
- (58) **Field of Classification Search** D8/301, D8/302, 308, 321, DIG. 1, DIG. 10; D23/252; 292/336.3, 356, 358, 347, 100, 207, 210, 292/169.21; 74/548, 519, 523, 535; 70/370, 70/368, 224, 423, 452, 210, 412, 414; 16/110.1, 16/412, 429, 432, 900
See application file for complete search history.

(56) **References Cited**

U.S. PATENT DOCUMENTS

2,446,753	A *	8/1948	Floraday	70/221
2,729,485	A *	1/1956	Schlage	292/1
D178,660	S *	9/1956	Hillgren	D8/302
2,783,074	A *	2/1957	Miltner	292/336.3
D189,962	S *	3/1961	Maffei	D8/308
3,452,564	A *	7/1969	Hallgren	70/452
4,484,462	A *	11/1984	Berkowitz	70/368
D340,179	S *	10/1993	Mirick et al.	D8/301
D400,776	S *	11/1998	Prevot et al.	D8/301
5,862,690	A *	1/1999	Jancsek	70/224
5,898,974	A *	5/1999	Boyer	16/114.1
6,048,007	A *	4/2000	Shor	292/348
6,068,308	A *	5/2000	Molzer	292/336.3
6,174,005	B1	1/2001	Norton	
D442,467	S	5/2001	Alvarado	

D444,694	S	7/2001	Alvarado	
6,302,453	B1	10/2001	Norton	
6,318,770	B1 *	11/2001	Molzer	292/336.3
6,502,872	B1 *	1/2003	Molzer	292/336.3
6,546,765	B1 *	4/2003	Linares	70/210
D488,983	S *	4/2004	Linares	D8/301
D492,570	S *	7/2004	Linares	D8/308
D492,571	S *	7/2004	Linares	D8/308
D495,230	S *	8/2004	Madlem et al.	D8/301
6,868,703	B2 *	3/2005	Molzer	70/210
D529,783	S *	10/2006	Corcino	D8/301
D557,585	S *	12/2007	Linares	D8/308

* cited by examiner

Primary Examiner—Paula Greene

(74) *Attorney, Agent, or Firm*—Christie, Parker & Hale, LLP

(57) **CLAIM**

The ornamental design for L-handle with heptagonal escutcheon, as shown and described.

DESCRIPTION

FIG. 1 is a front view of the L-handle with heptagonal escutcheon showing our new design, the undisclosed rear view is not part of the claimed design;

FIG. 2 is a right side view of the L-handle with heptagonal escutcheon of FIG. 1.

FIG. 3 is a left side view of the L-handle with heptagonal escutcheon of FIG. 1.

FIG. 4 is a top view of the L-handle with heptagonal escutcheon of FIG. 1.

FIG. 5 is a bottom view of the L-handle with heptagonal escutcheon of FIG. 1.

FIG. 6 is a front right isometric view of the L-handle with heptagonal escutcheon of FIG. 1; and,

FIG. 7 is a front left isometric view of the L-handle with heptagonal escutcheon of FIG. 1.

The broken lines form no part of the claimed design.

1 Claim, 7 Drawing Sheets

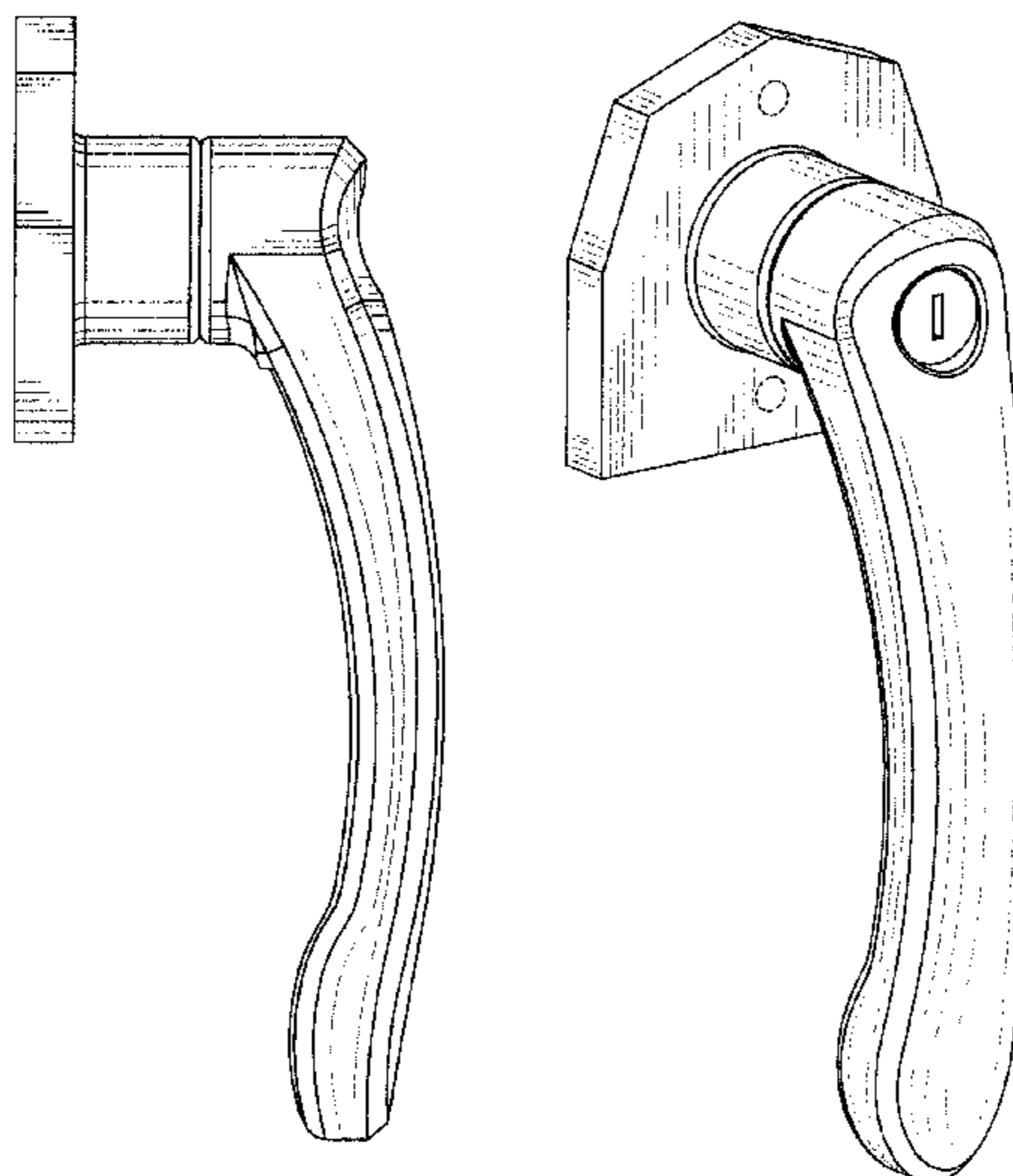


FIG. 1

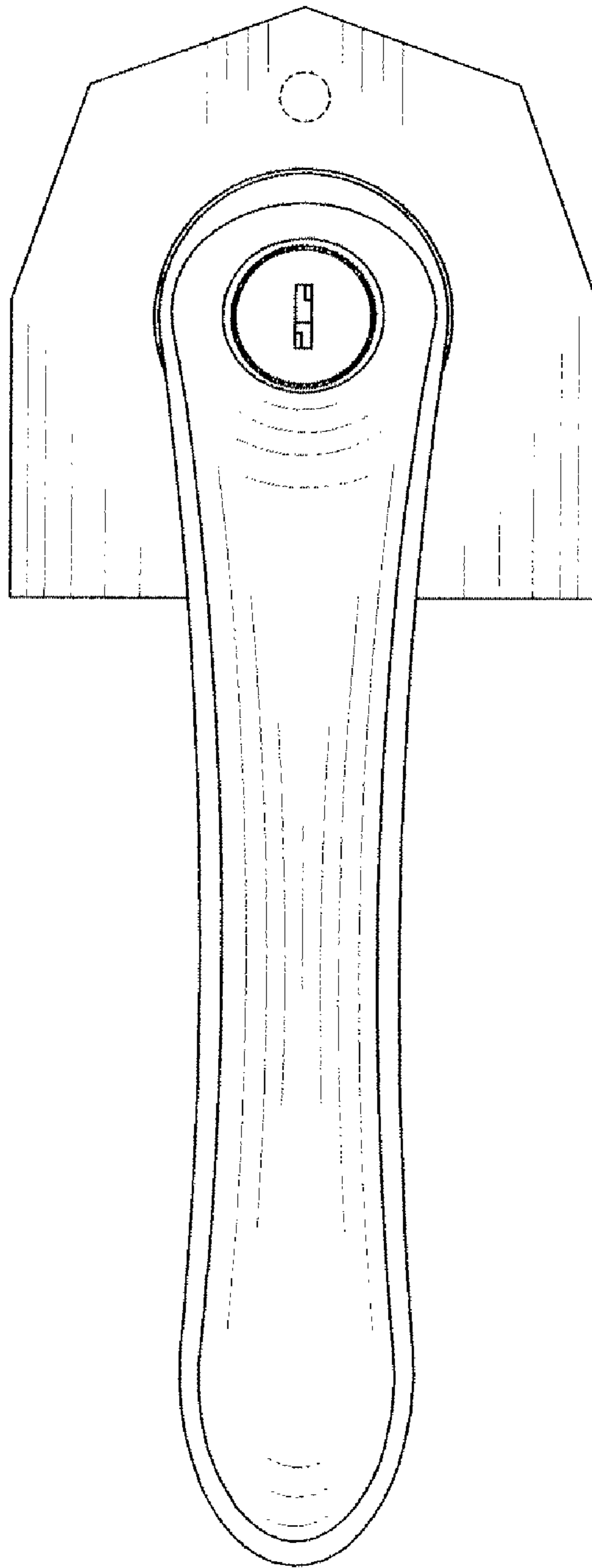


FIG. 2

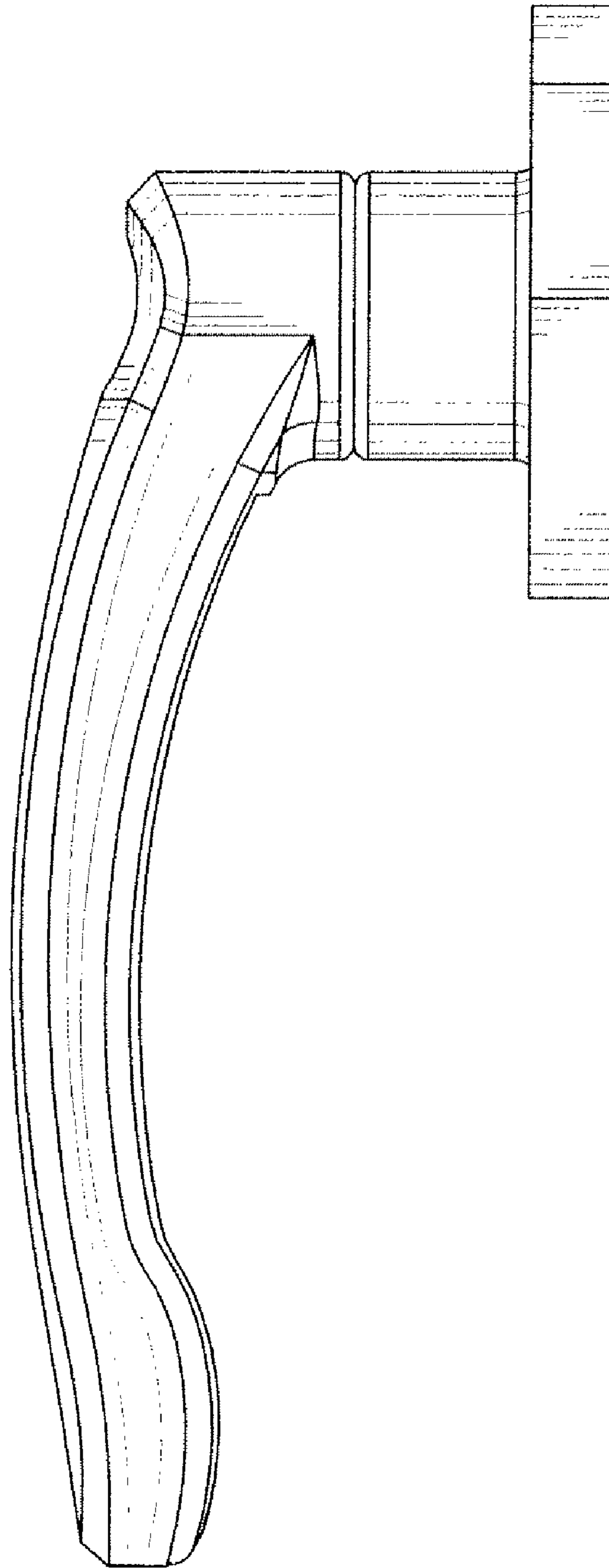


FIG. 3

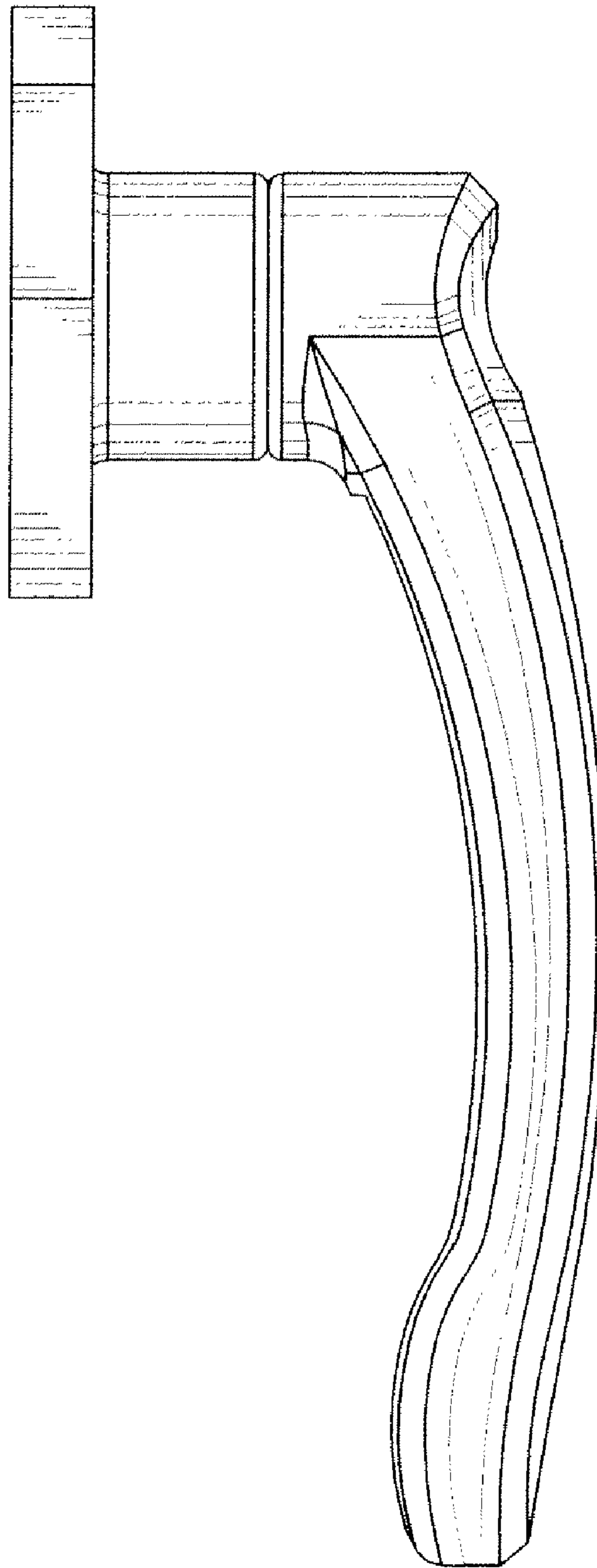


FIG. 4

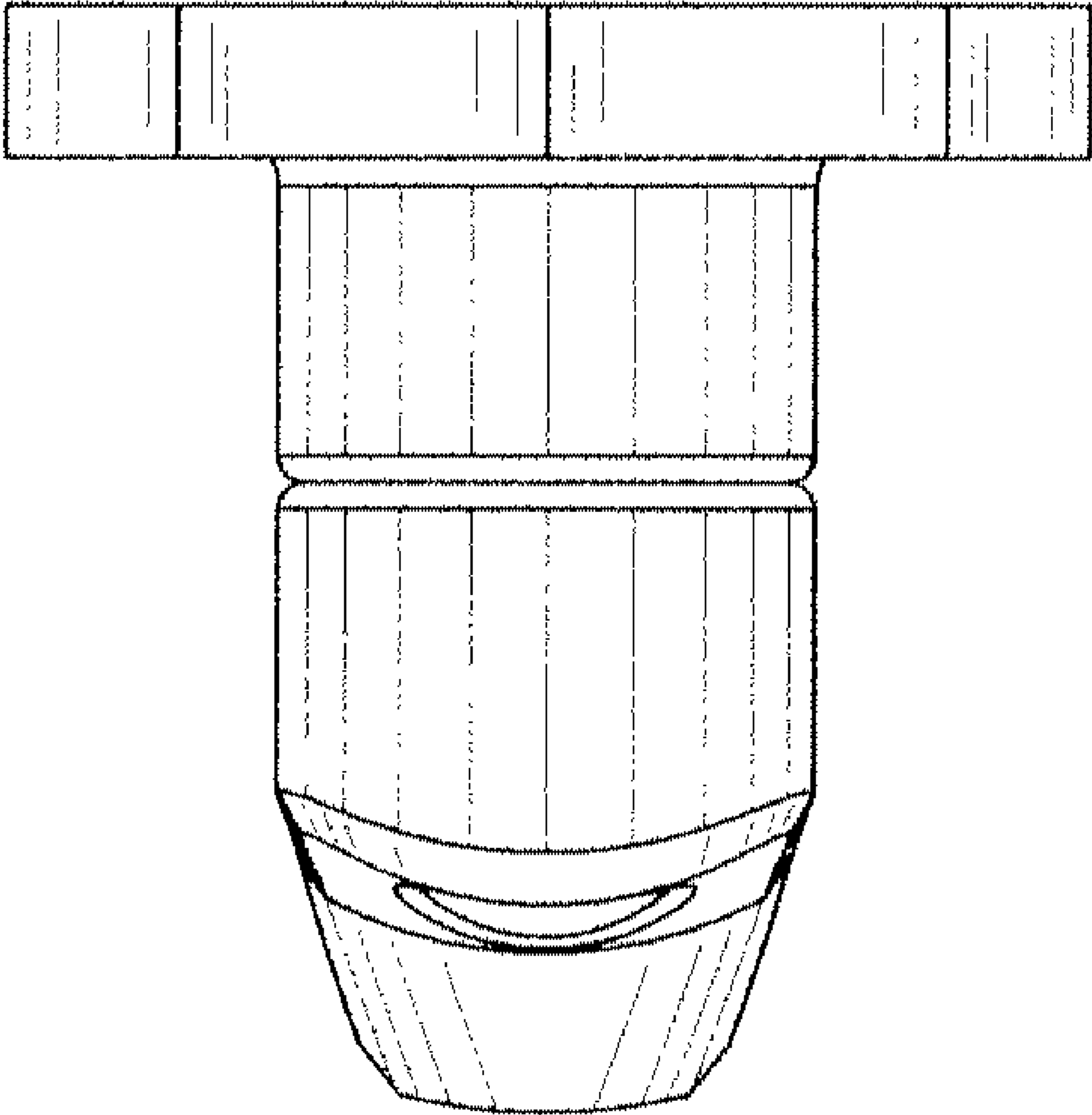


FIG. 5

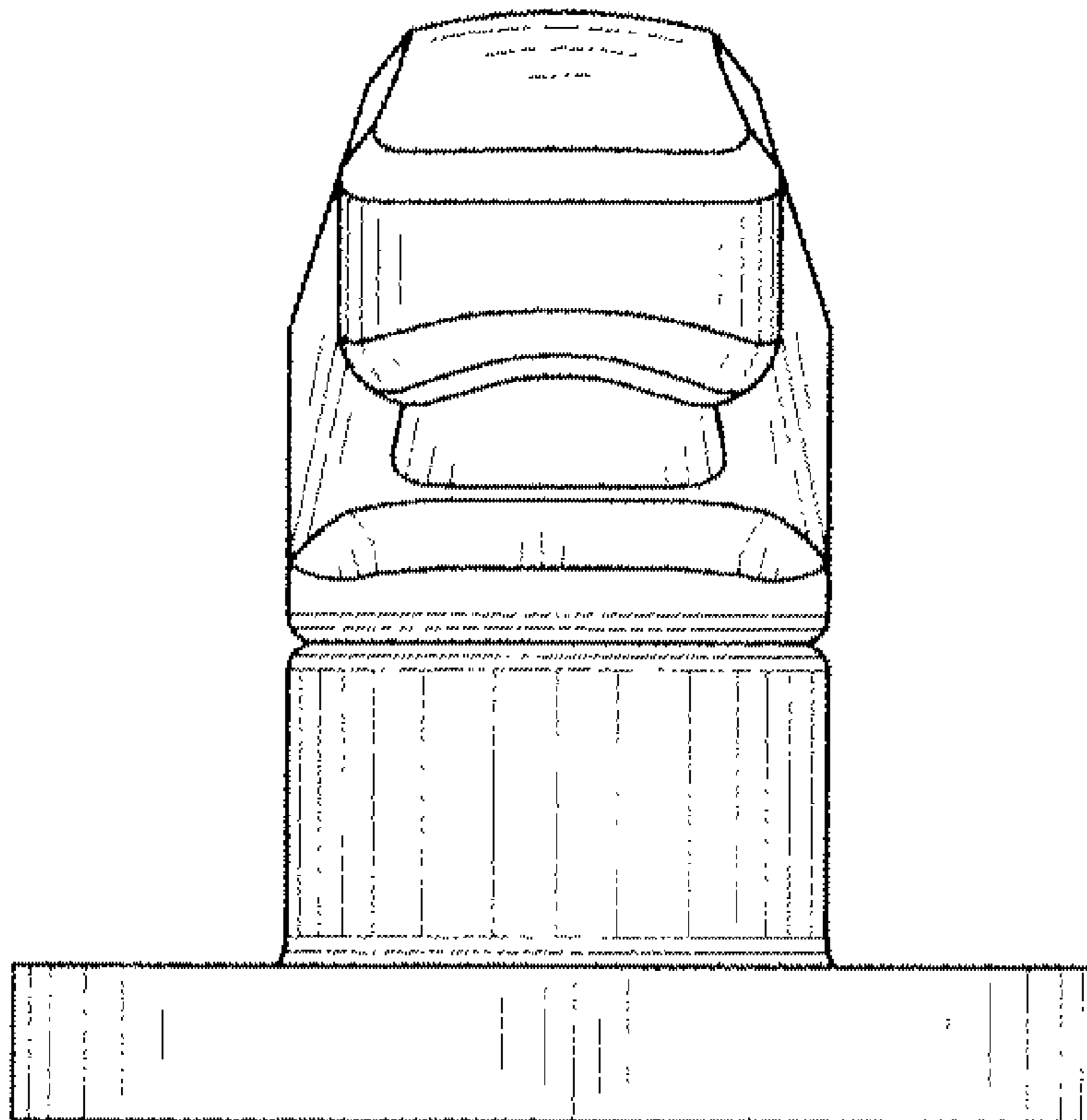


FIG. 6

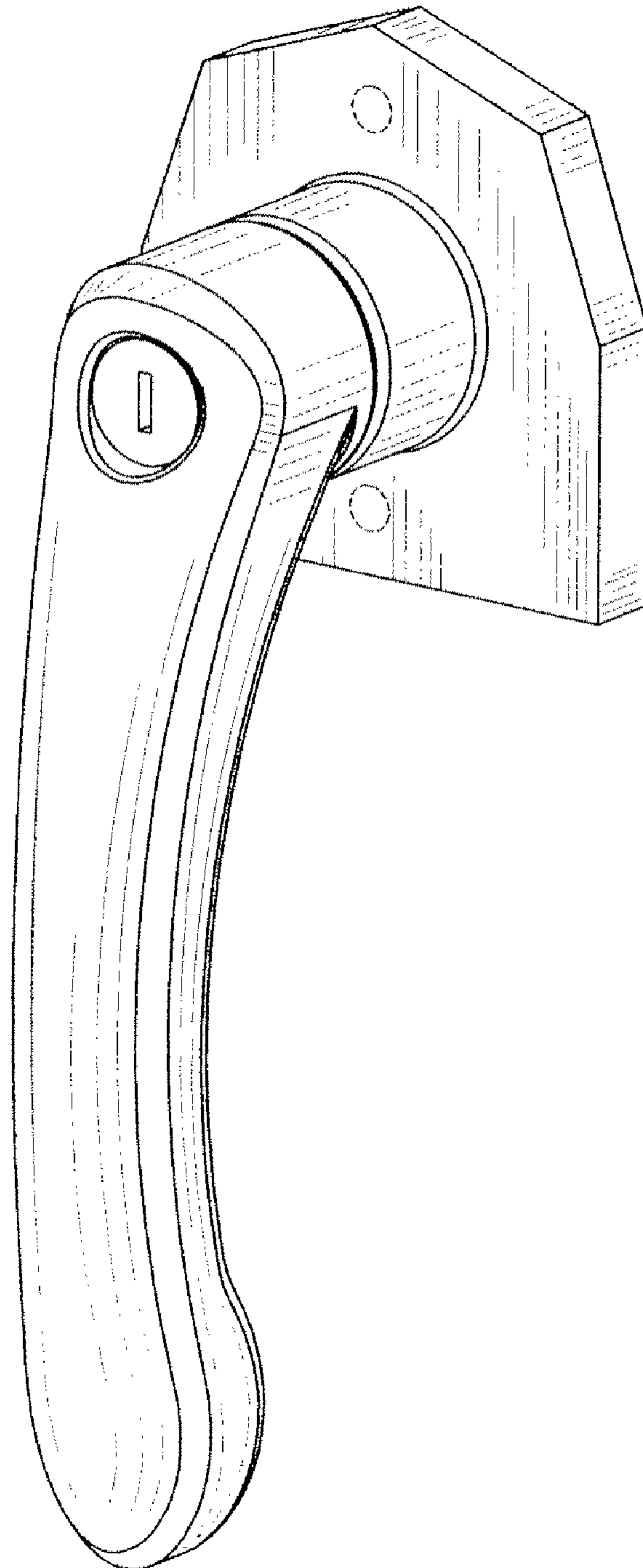


FIG. 7

