



US00D585715S

(12) **United States Design Patent**
Okuda et al.

(10) **Patent No.:** **US D585,715 S**
(45) **Date of Patent:** **** Feb. 3, 2009**

(54) **PORTABLE ELECTRIC DRIVER**
(75) Inventors: **Shinsuke Okuda**, Anjo (JP); **Tomoyuki Kondo**, Anjo (JP)
(73) Assignee: **Makita Corporation**, Anjo (JP)
(**) Term: **14 Years**
(21) Appl. No.: **29/300,181**
(22) Filed: **Feb. 28, 2008**

D529,777 S * 10/2006 Hattori D8/68
D532,667 S * 11/2006 Tsai et al. D8/68
D534,048 S * 12/2006 Tsai et al. D8/68
D534,406 S * 1/2007 Tsai et al. D8/68
D534,779 S * 1/2007 Tsai et al. D8/68
D536,944 S * 2/2007 Tsai et al. D8/68
D560,990 S * 2/2008 Aglassinger D8/68
D565,375 S * 4/2008 Shi D8/68
2006/0102367 A1 * 5/2006 Etter et al. 173/168
2008/0073093 A1 * 3/2008 Cheng 173/104
2008/0107494 A1 * 5/2008 Hsieh 408/241 R

(30) **Foreign Application Priority Data**
Oct. 30, 2007 (JP) 2007-029904

* cited by examiner
Primary Examiner—T. Chase Nelson
(74) *Attorney, Agent, or Firm*—Oliff & Berridge, PLC

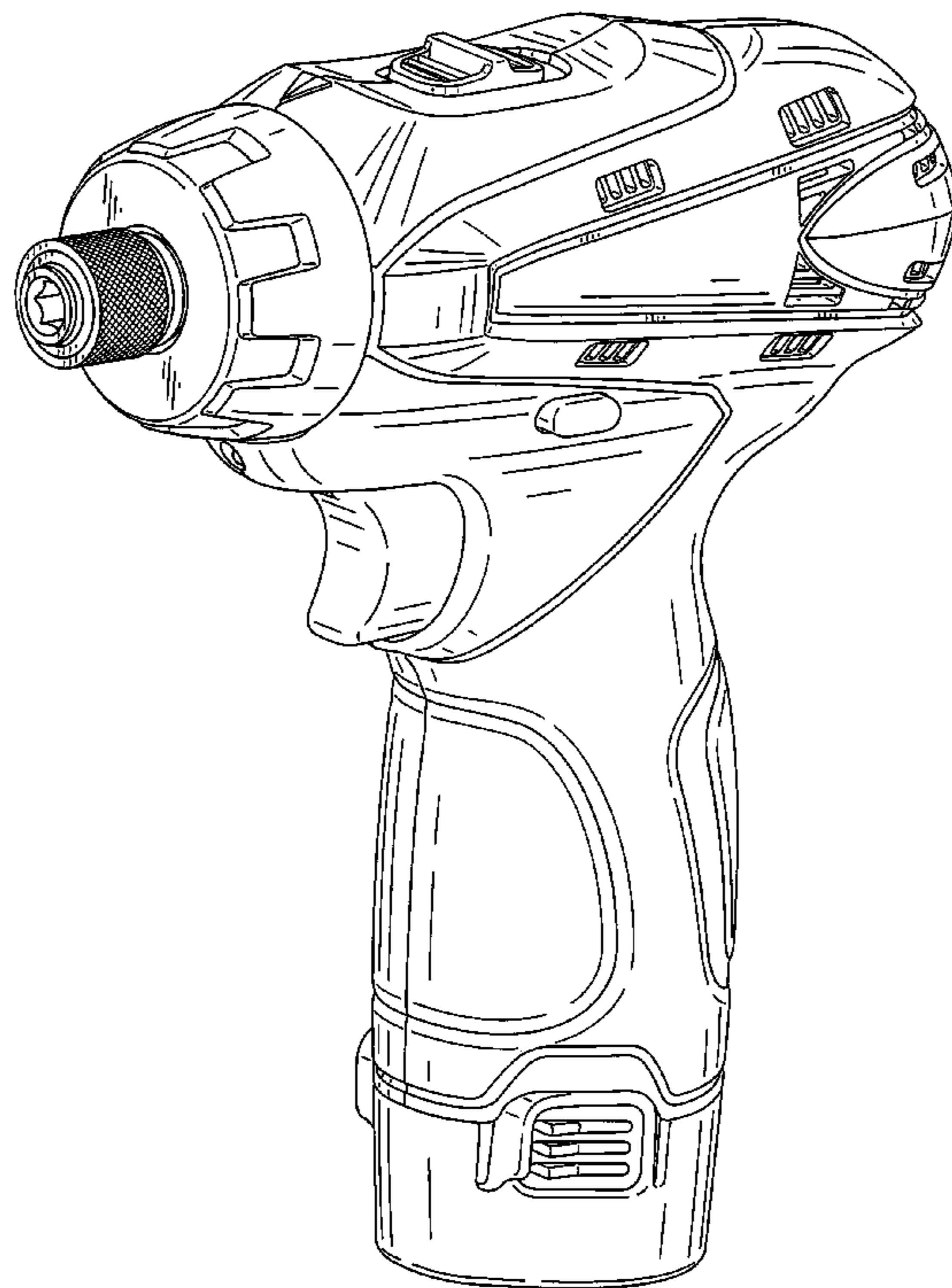
(51) **LOC (9) Cl.** **08-05**
(52) **U.S. Cl.** **D8/68**
(58) **Field of Classification Search** D8/14.1,
D8/61, 62, 63, 64, 65, 66, 67, 68, 69, 70;
81/57.11, 429, 454, 455, 456, 469, 489; 173/13,
173/104, 114, 168, 169, 170, 171, 178, 201,
173/211, 213, 217; 408/20, 124, 125, 234,
408/241 R; 451/358; 310/50; 227/8, 113,
227/114, 120, 130, 136, 142
See application file for complete search history.

(57) **CLAIM**
The ornamental design for a portable electric driver, as shown and described.

(56) **References Cited**
U.S. PATENT DOCUMENTS
D436,510 S * 1/2001 Bazayev et al. D8/68
D475,596 S 6/2003 Ozawa et al.
D525,505 S 7/2006 Ito et al.
7,108,079 B2 * 9/2006 Sakai et al. 173/217

DESCRIPTION
FIG. 1 is a perspective view of top, front and left side of a portable electric driver showing our new design;
FIG. 2 is a front view thereof;
FIG. 3 is a rear view thereof;
FIG. 4 is a top plan view thereof;
FIG. 5 is a bottom plan view thereof;
FIG. 6 is a left side view thereof; and,
FIG. 7 is a right side view thereof.

1 Claim, 5 Drawing Sheets



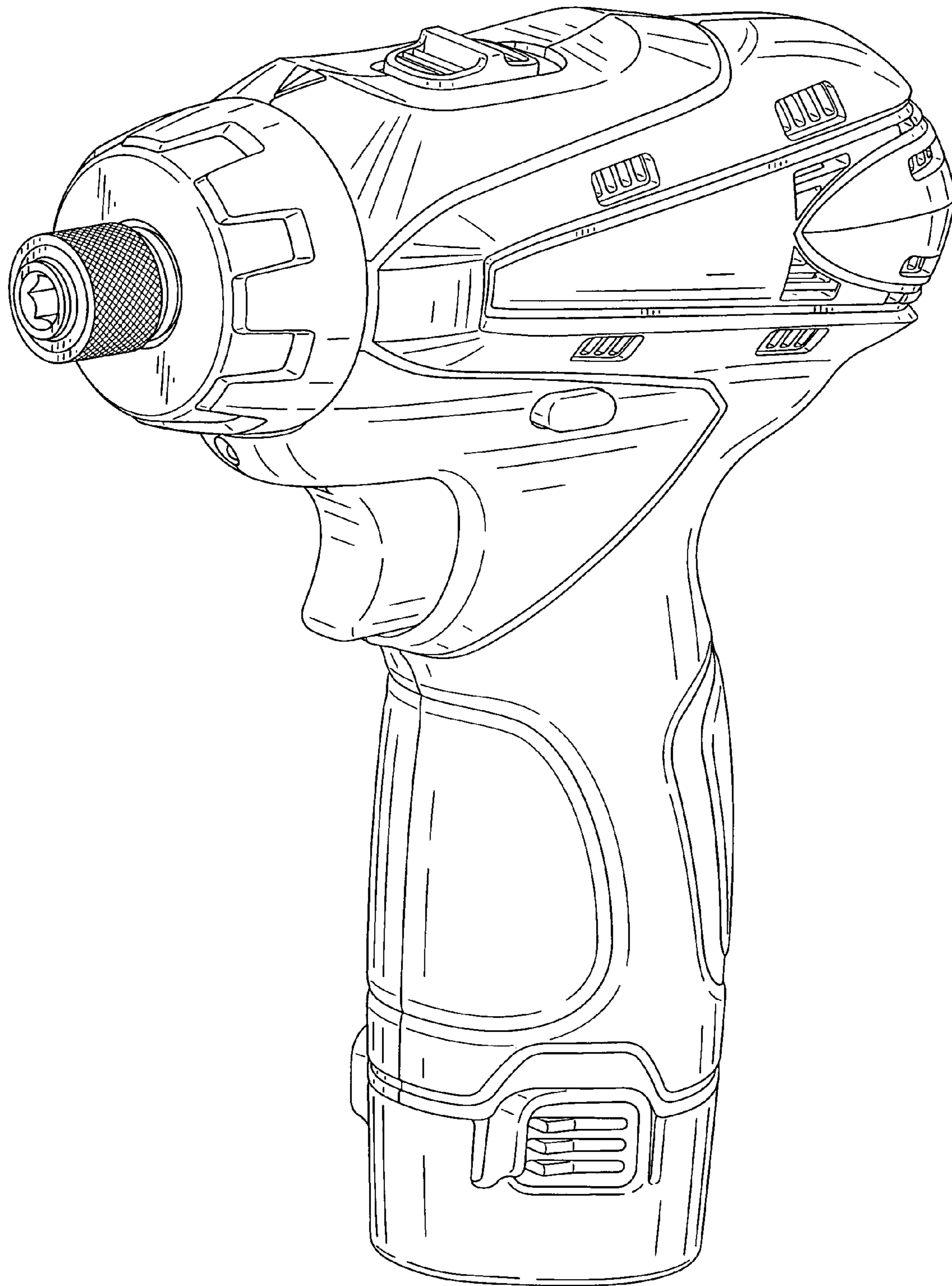


FIG. 1

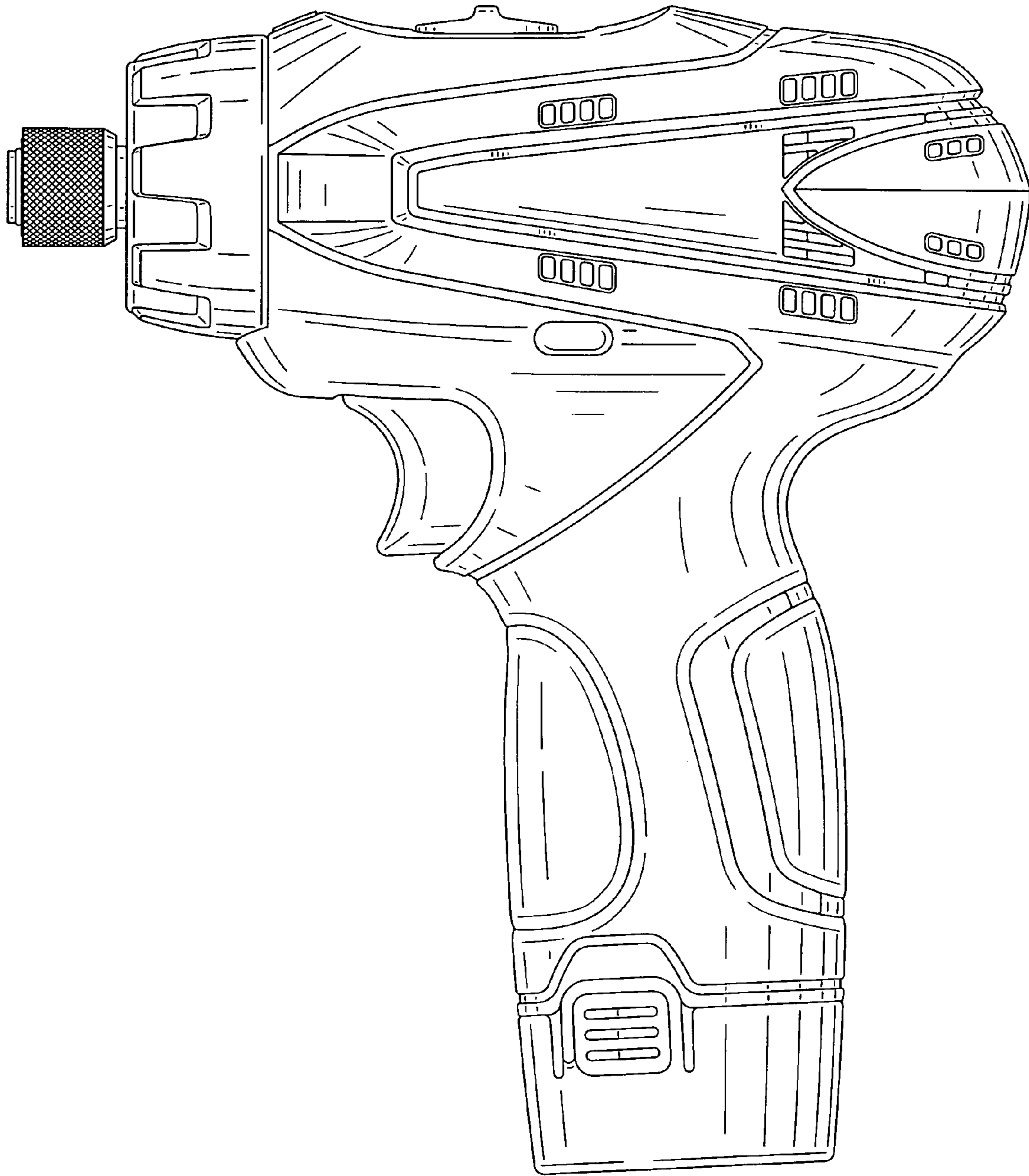


FIG. 2

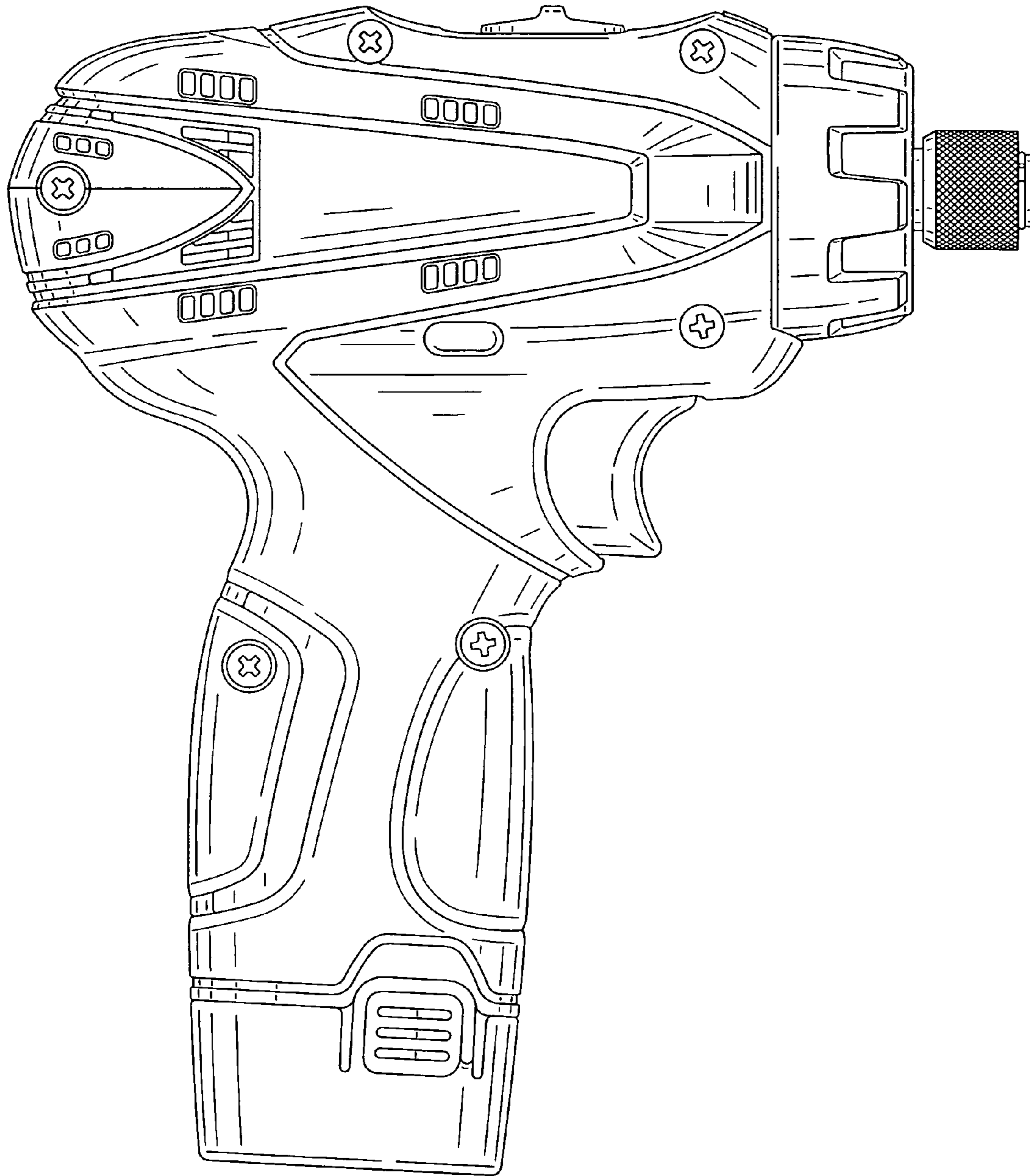


FIG. 3

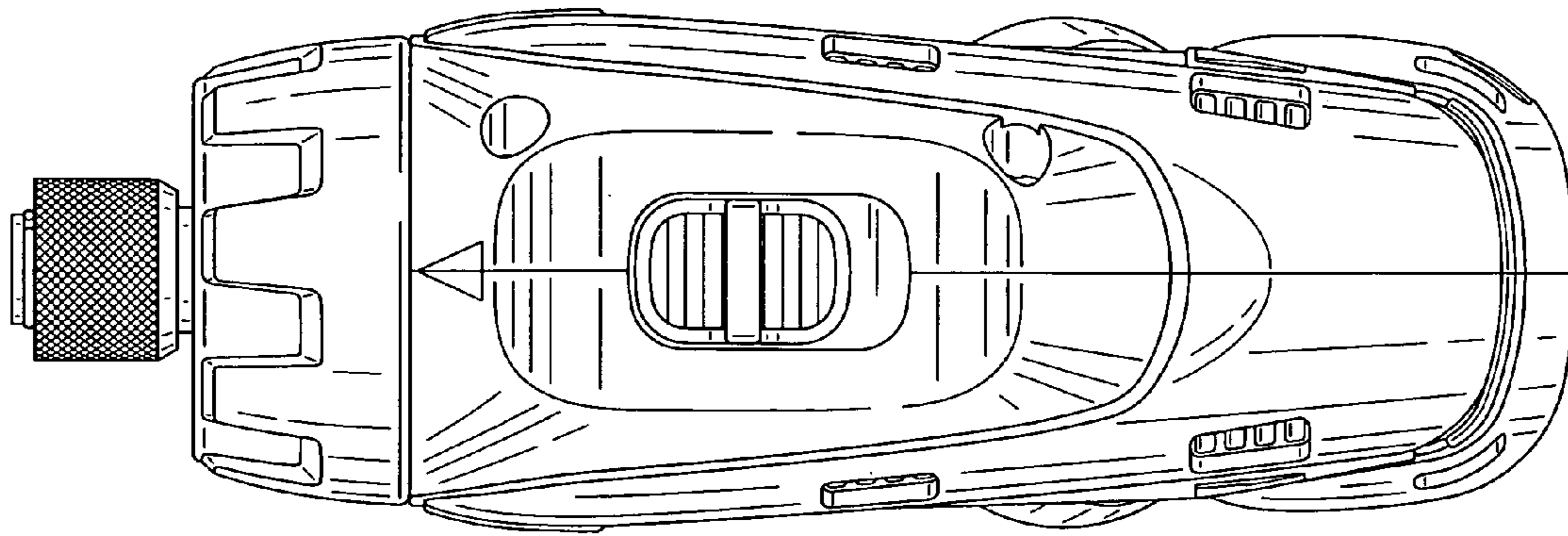


FIG. 4

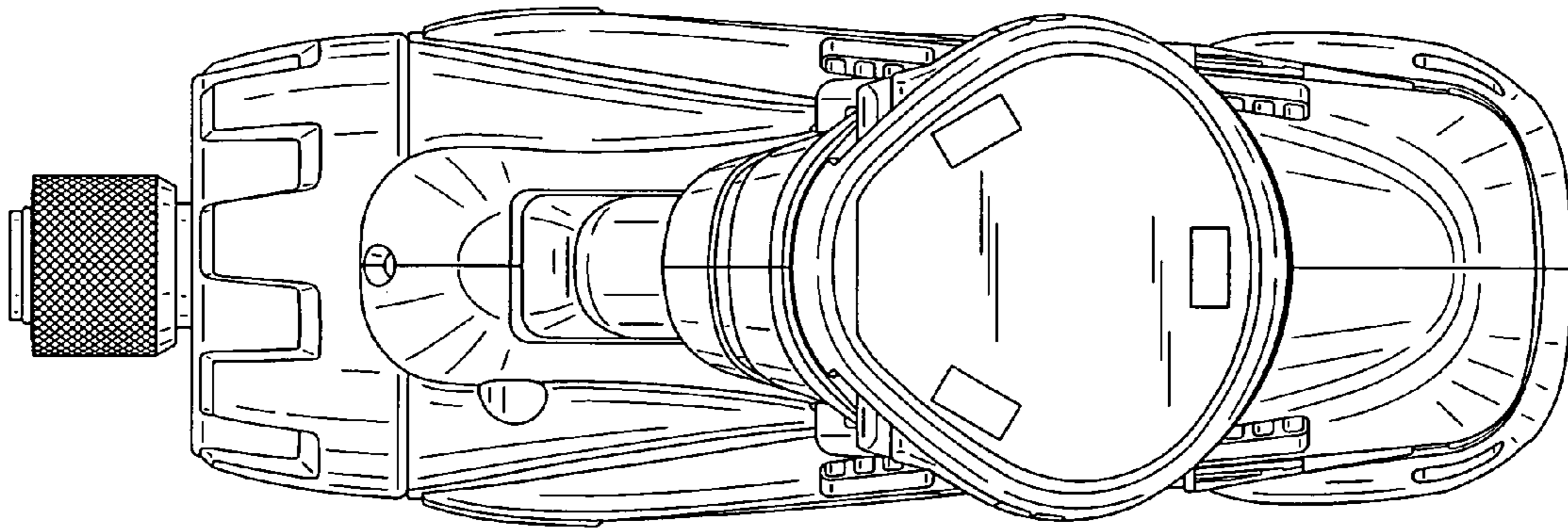


FIG. 5

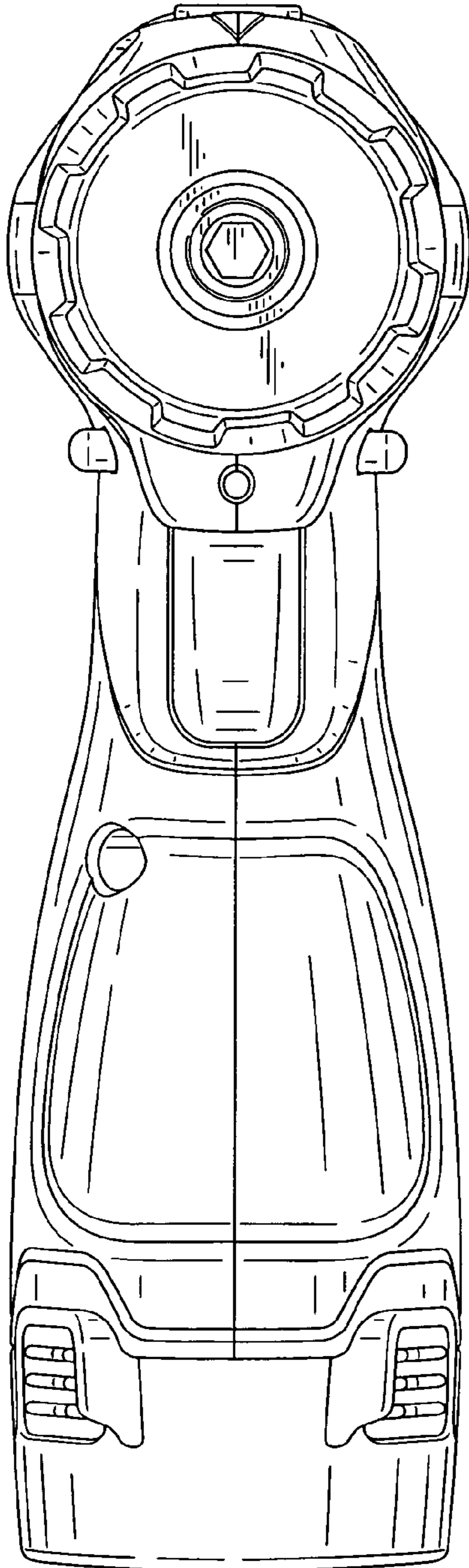


FIG. 6

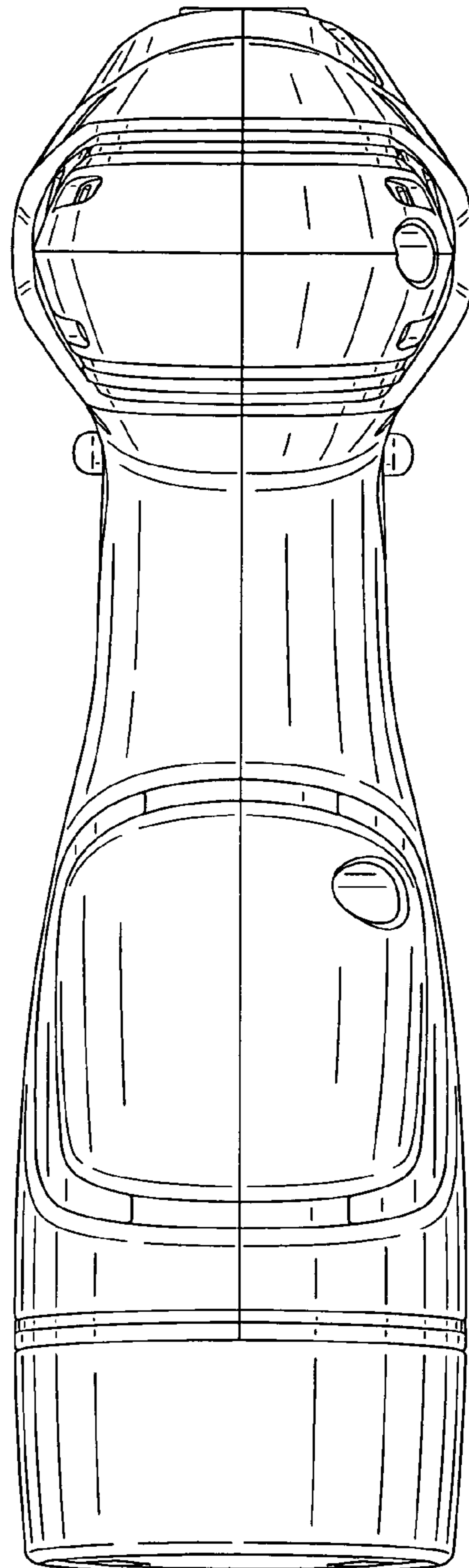


FIG. 7