



US00D585713S

(12) **United States Design Patent**  
**Boulton et al.**

(10) **Patent No.:** **US D585,713 S**  
(45) **Date of Patent:** **\*\* Feb. 3, 2009**

(54) **ELECTRIC HAND TOOL**

(75) Inventors: **Peter Boulton**, Sindelfingen (DE); **Peter Theiss**, Stuttgart (DE)

(73) Assignee: **Metabowerke GmbH & Co.**, Nuertingen (DE)

(\*\*) Term: **14 Years**

(21) Appl. No.: **29/290,878**

(22) Filed: **Jan. 25, 2008**

(30) **Foreign Application Priority Data**

Jul. 31, 2007 (EM) ..... 000773957

(51) **LOC (9) Cl.** ..... **08-01**

(52) **U.S. Cl.** ..... **D8/62**

(58) **Field of Classification Search** ..... D32/15, D32/17, 19; D8/67, 62, 61; D4/102; 451/456, 451/451, 359, 358, 357, 356, 355, 354, 353, 451/351, 344; 310/50; 173/170

See application file for complete search history.

(56) **References Cited**

**U.S. PATENT DOCUMENTS**

D107,275 S *	11/1937	Albertson	.....	D8/62
D255,417 S *	6/1980	Sakamoto et al.	.....	D8/62
D295,824 S *	5/1988	Hoshino et al.	.....	D8/62
D297,907 S *	10/1988	Hoshimo et al.	.....	D8/62
D305,399 S *	1/1990	Fushiya et al.	.....	D8/62
D396,175 S *	7/1998	Chung	.....	D8/62
D402,870 S *	12/1998	Etter et al.	.....	D8/62
D408,244 S *	4/1999	Price	.....	D8/62
6,241,594 B1 *	6/2001	Lepold	.....	451/359
D453,288 S *	2/2002	Lui	.....	D8/62
6,527,630 B2 *	3/2003	Mannsperger et al.	.....	451/344
D475,263 S *	6/2003	Andriolo	.....	D8/62
D491,033 S *	6/2004	Bian	.....	D8/62
D494,827 S *	8/2004	Liu	.....	D8/62
D497,296 S *	10/2004	Krondorfer et al.	.....	D8/62
D498,653 S *	11/2004	Wu	.....	D8/62

D511,285 S *	11/2005	Henssler et al.	.....	D8/62
D538,615 S *	3/2007	Hastie	.....	D8/62
D548,034 S *	8/2007	Hayakawa et al.	.....	D8/62
D558,016 S *	12/2007	Aglassinger	.....	D8/62
D564,321 S *	3/2008	Huguet et al.	.....	D8/62
D567,610 S *	4/2008	Wright	.....	D8/62
D568,703 S *	5/2008	Jiang	.....	D8/62

\* cited by examiner

*Primary Examiner*—Cathron C Brooks

*Assistant Examiner*—Austin Murphy

(74) *Attorney, Agent, or Firm*—Paul Vincent

(57) **CLAIM**

The ornamental design for the electric hand tool, as shown and described.

**DESCRIPTION**

FIG. 1 is a top perspective view of the electric hand tool;

FIG. 2 is a first side view thereof;

FIG. 3 is a second side view thereof;

FIG. 4 is a front view thereof;

FIG. 5 is a bottom view thereof;

FIG. 6 is a top view thereof;

FIG. 7 is a rear view thereof;

FIG. 8 is a top perspective view of a second embodiment of the electric hand tool;

FIG. 9 is a first side view of FIG. 8;

FIG. 10 is a second side view of FIG. 8;

FIG. 11 is a front view of FIG. 8;

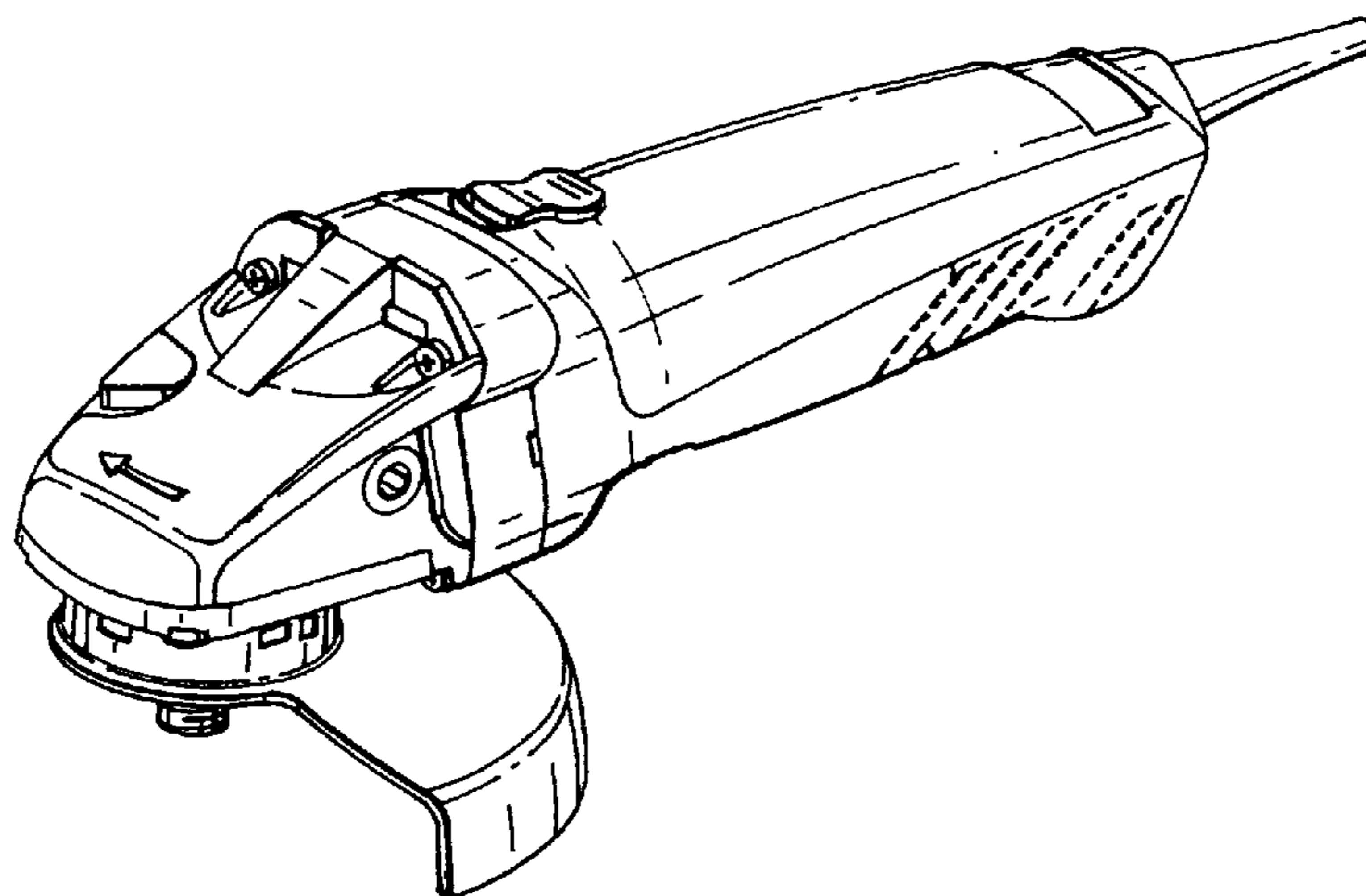
FIG. 12 is a bottom view of FIG. 8;

FIG. 13 is a top view of FIG. 8; and,

FIG. 14 is a rear view of FIG. 8.

The broken lines shown in the drawing do not constitute elements of the claimed design.

**1 Claim, 8 Drawing Sheets**



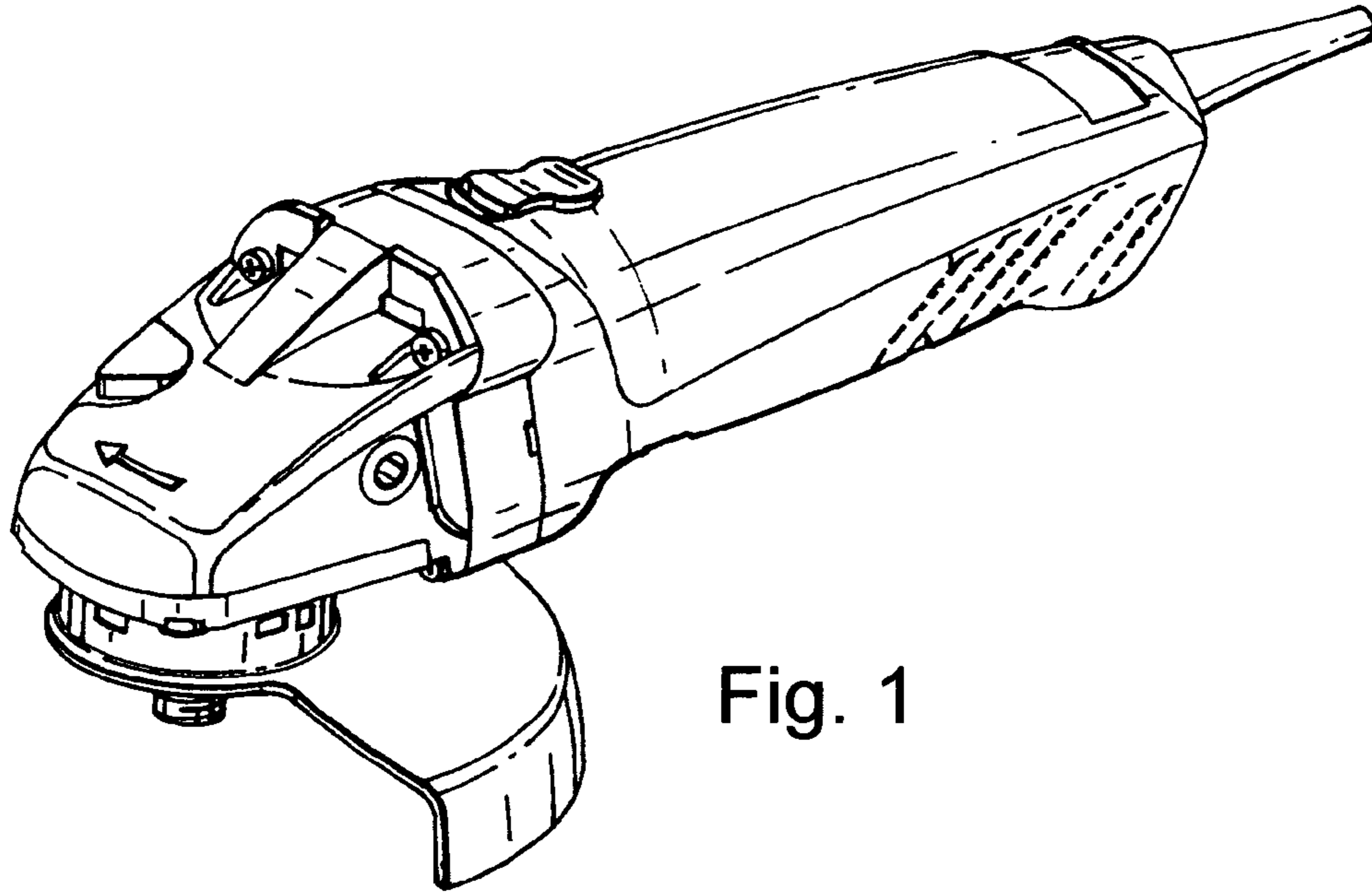


Fig. 1

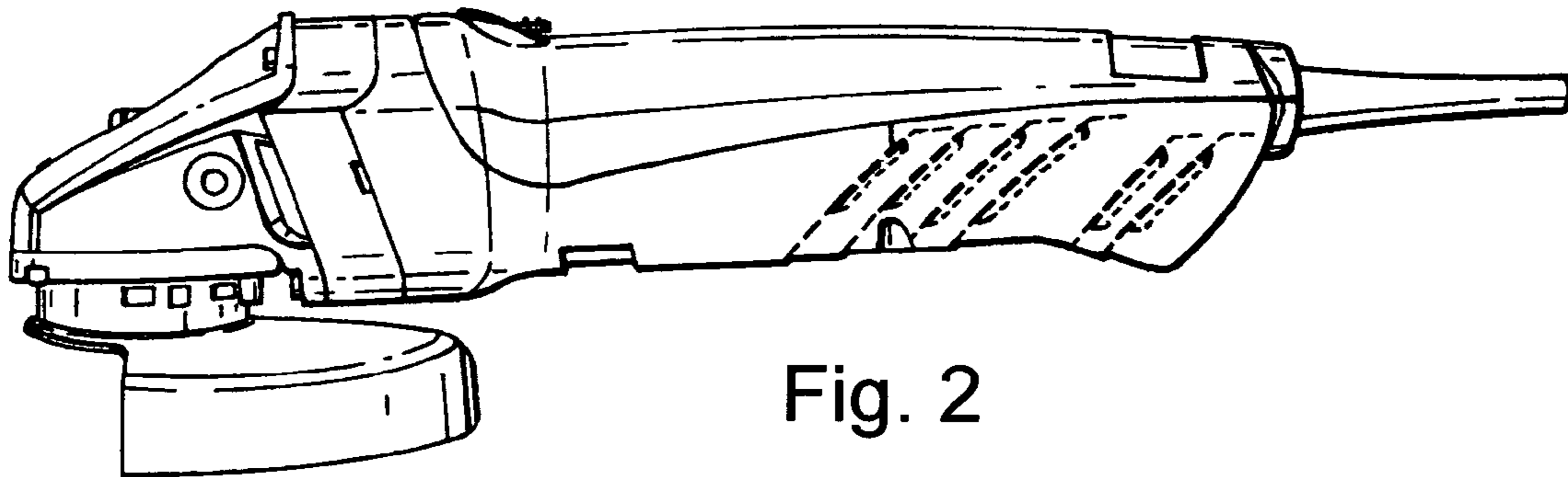


Fig. 2

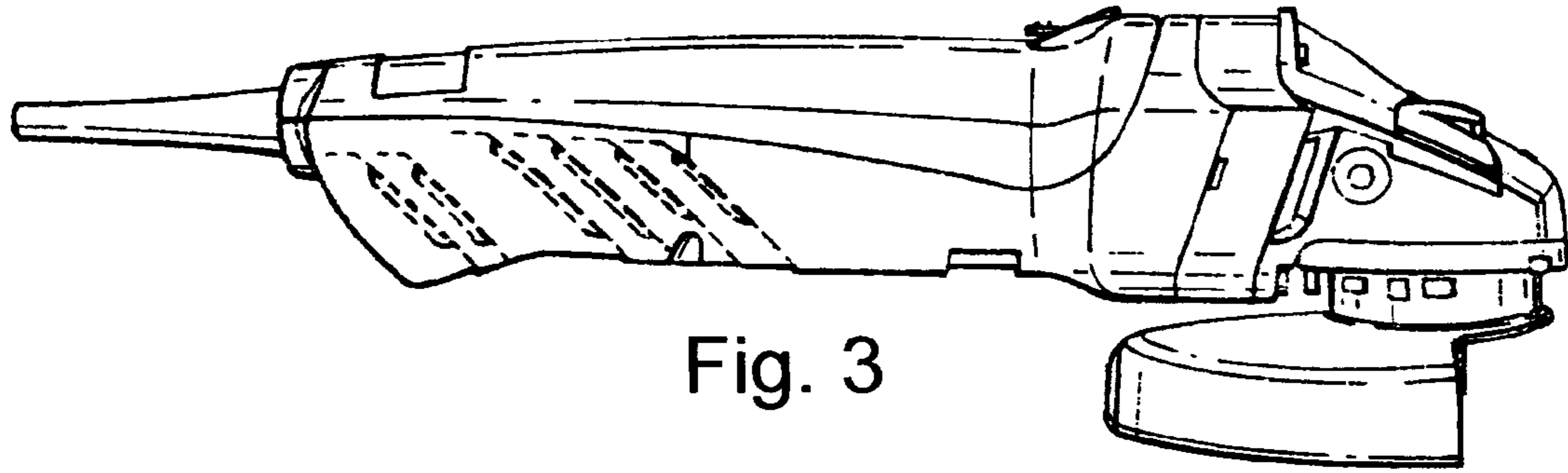


Fig. 3

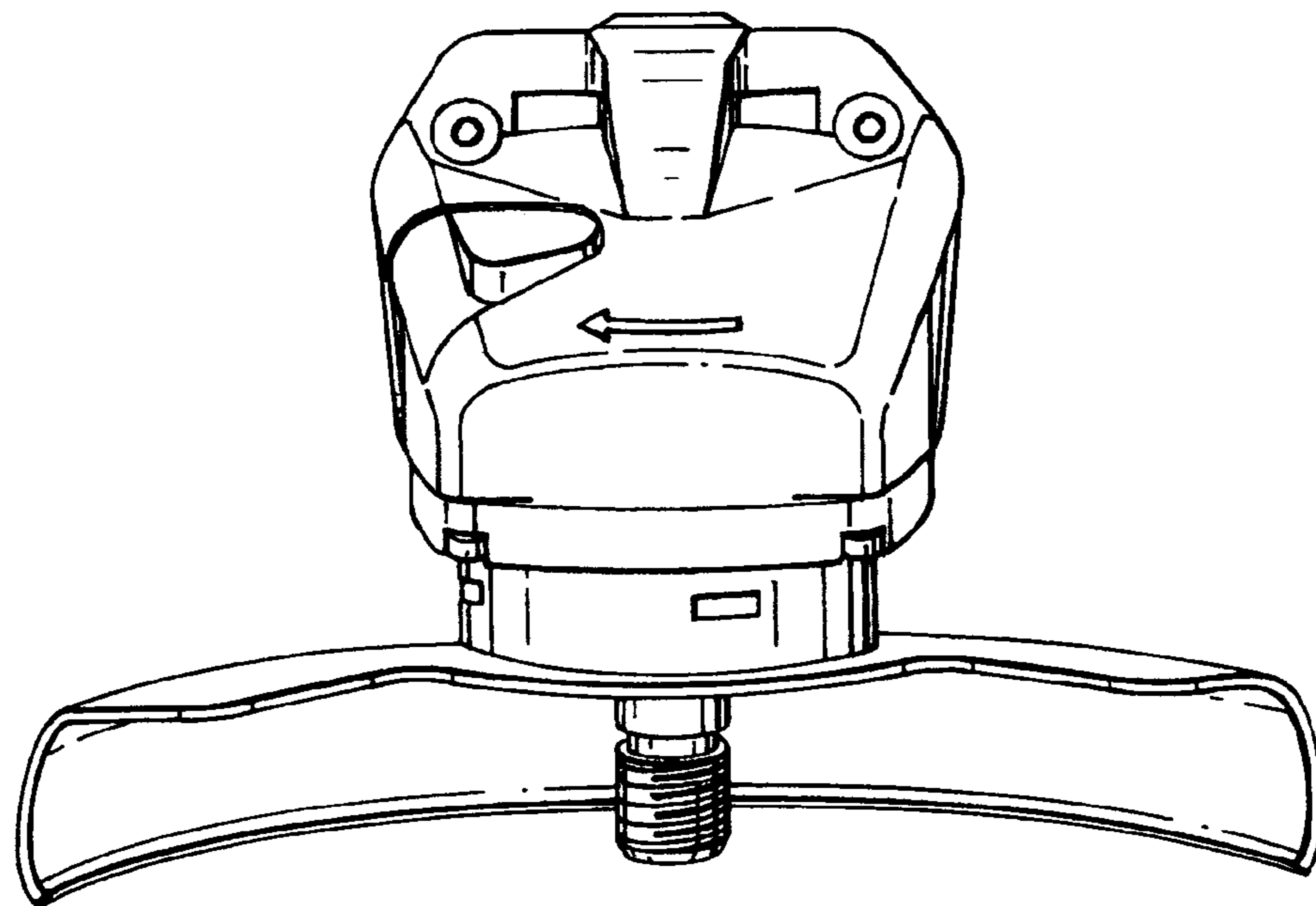


Fig. 4

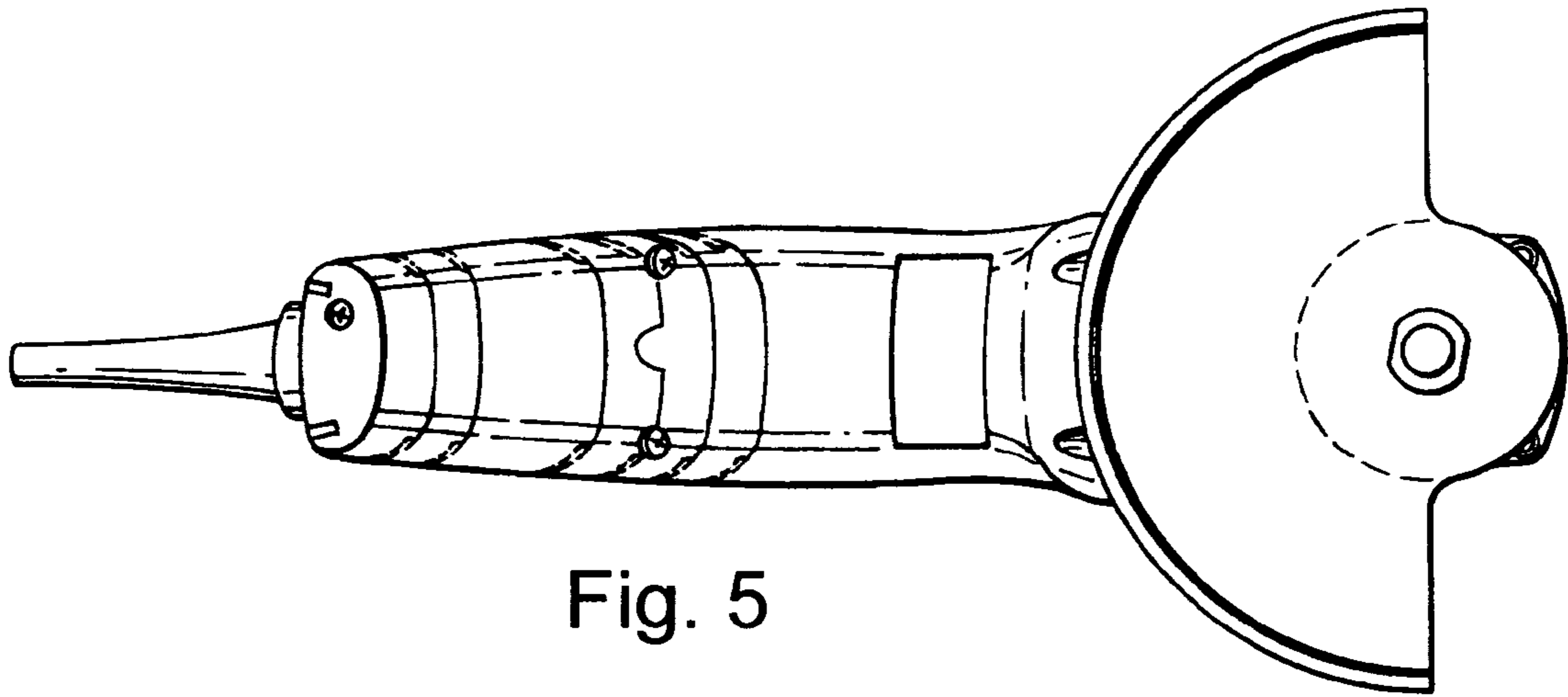


Fig. 5

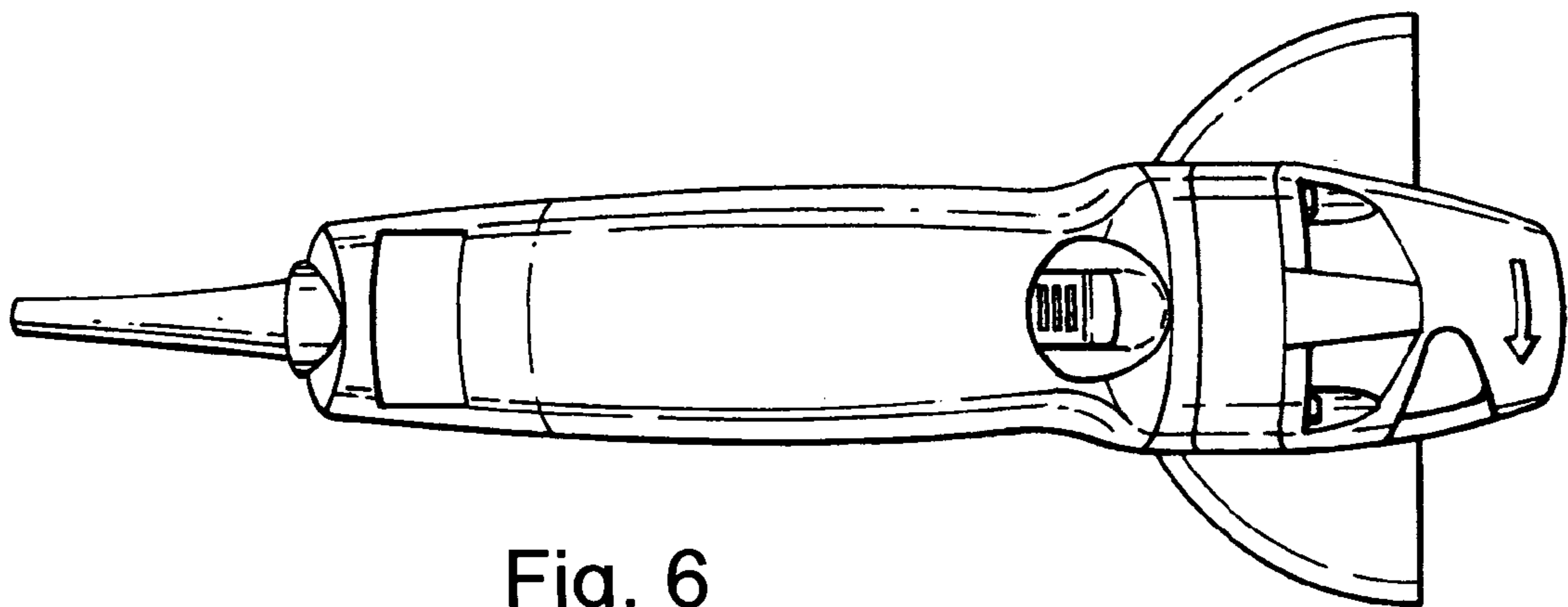


Fig. 6

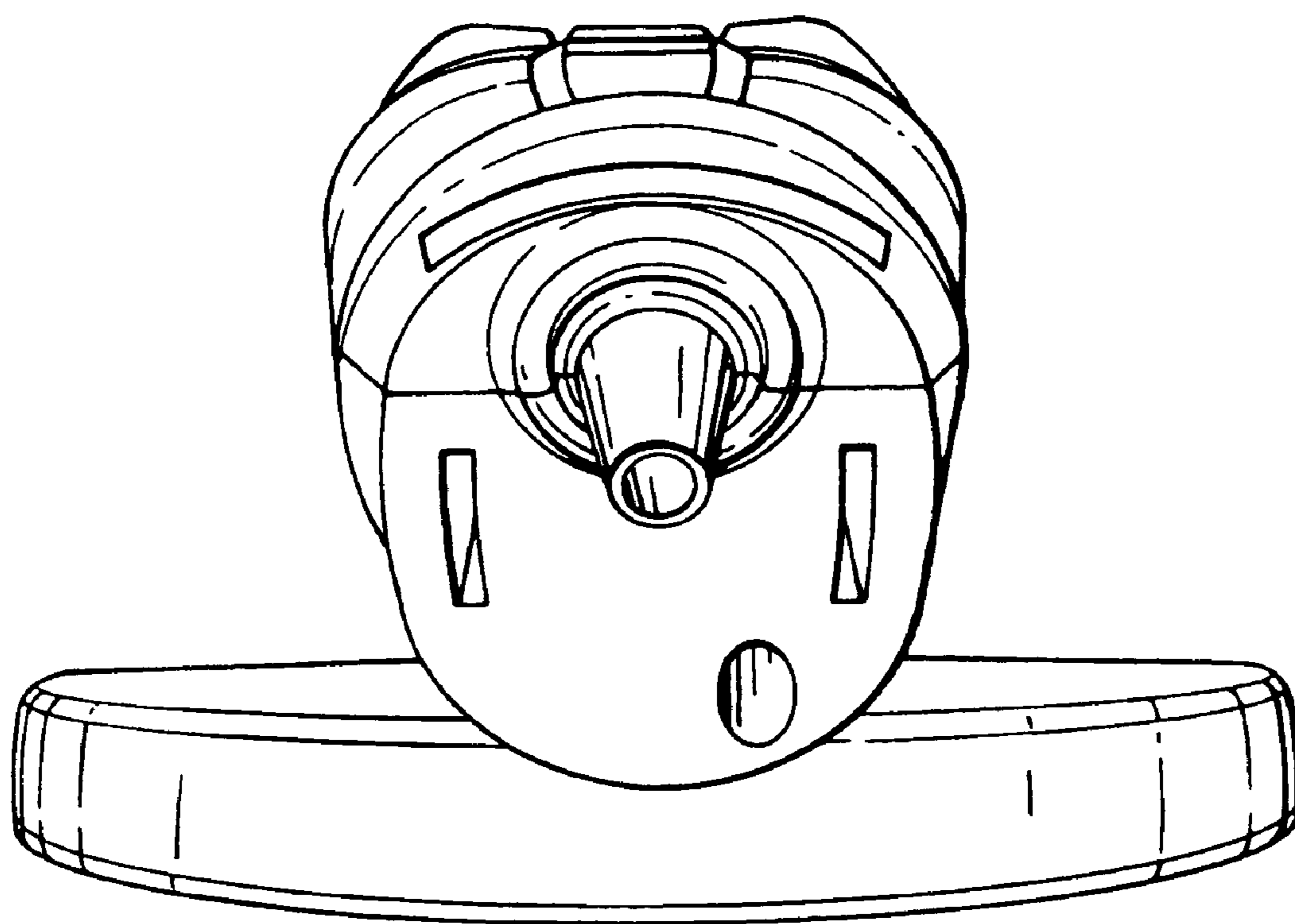


Fig. 7



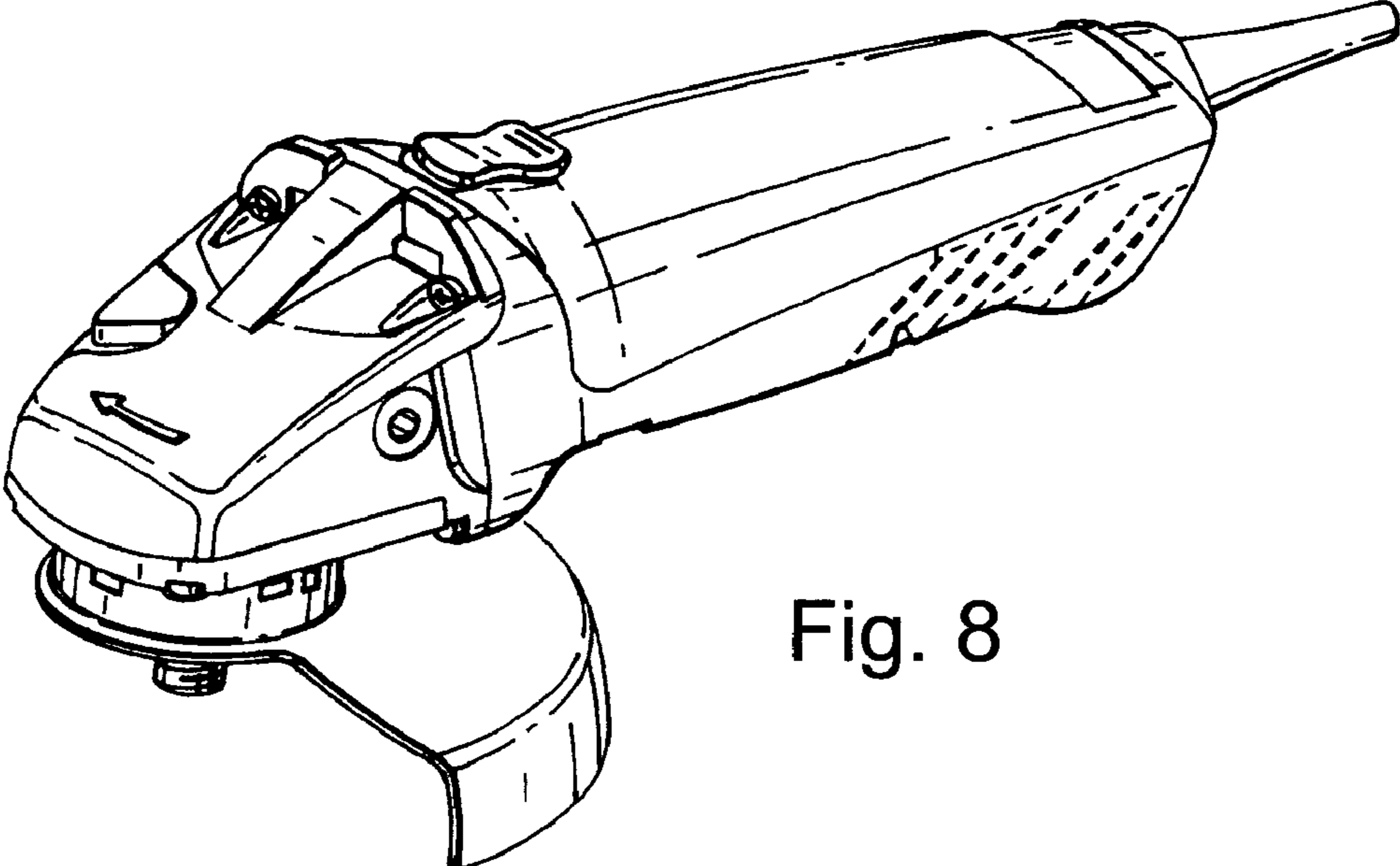


Fig. 8

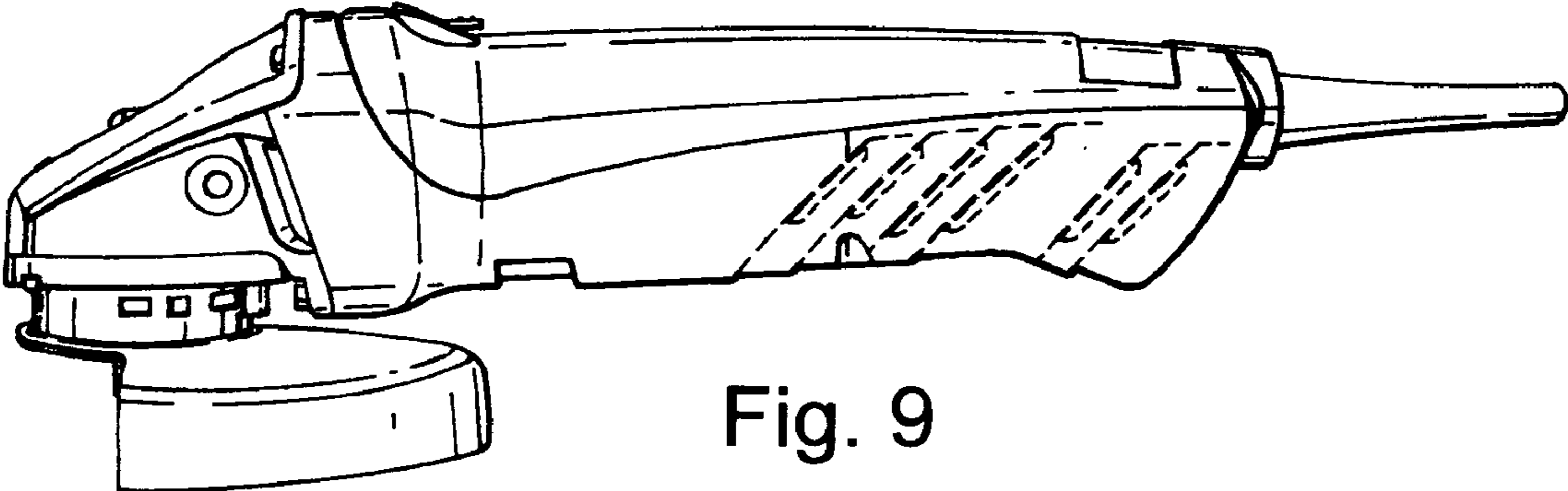


Fig. 9

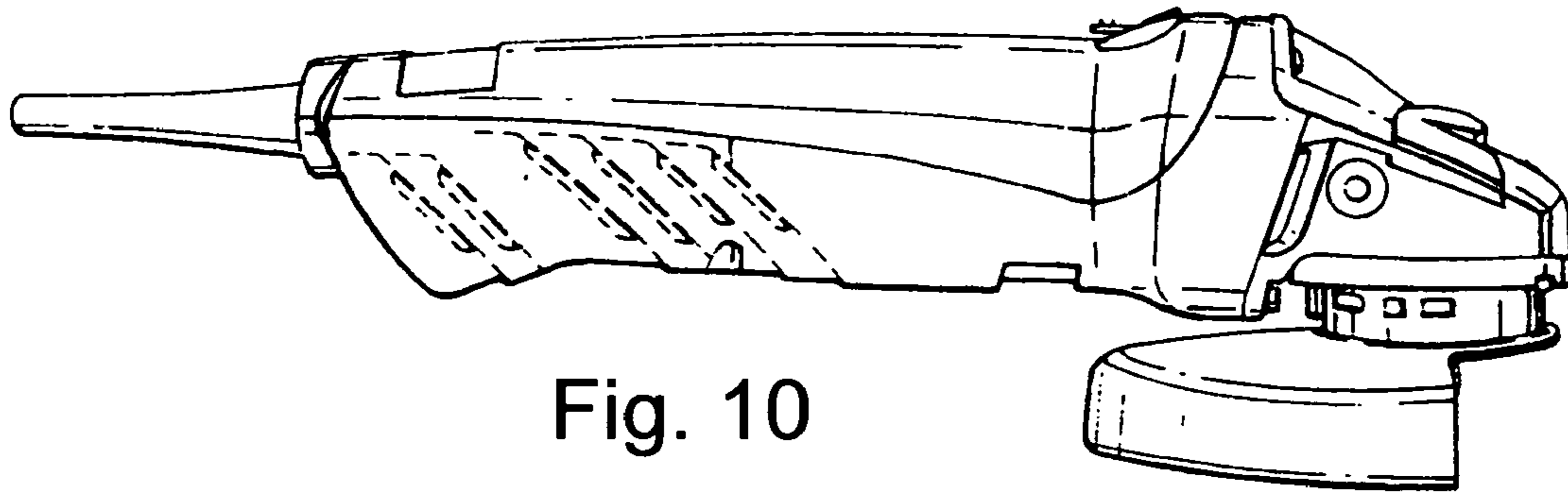


Fig. 10

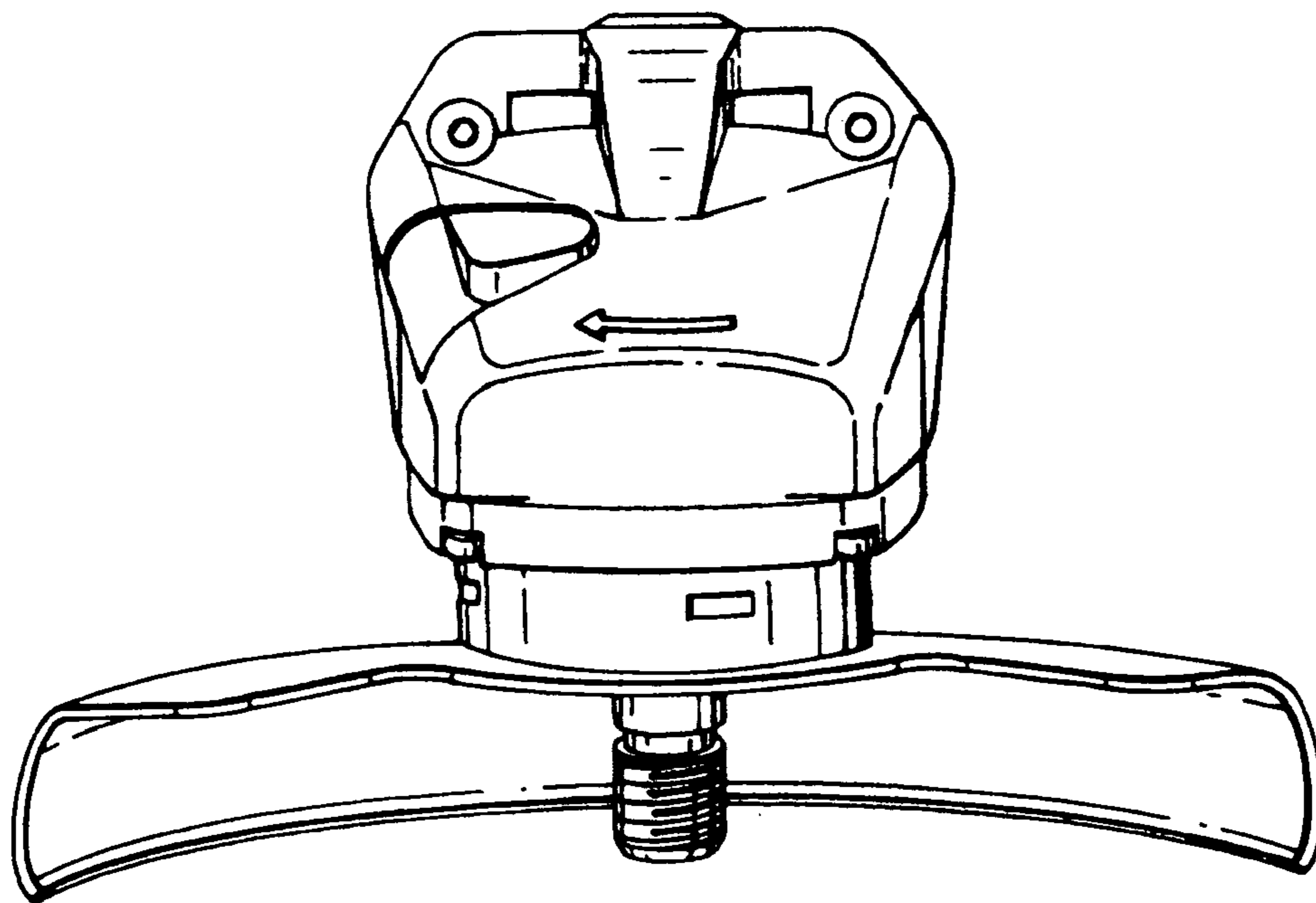


Fig. 11

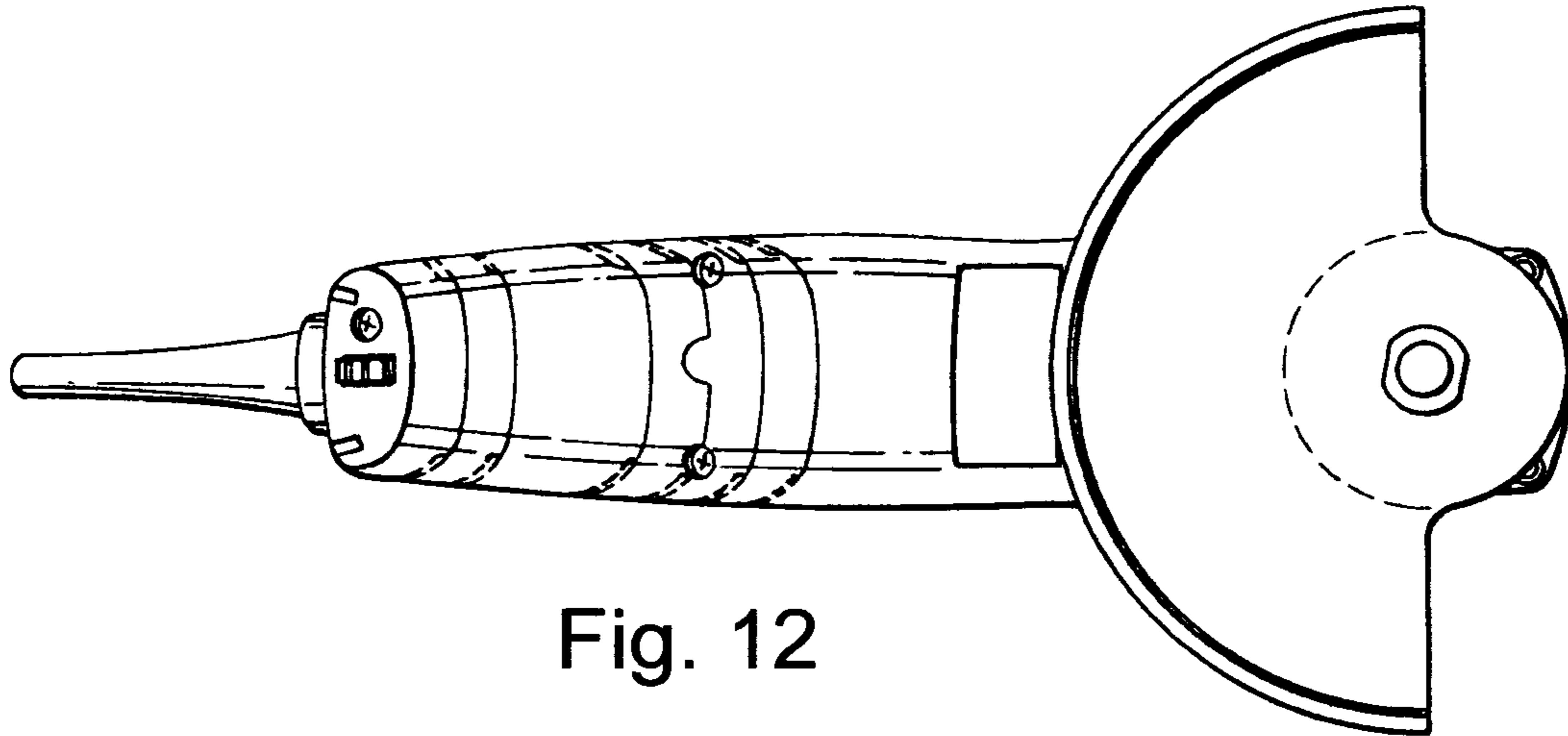


Fig. 12

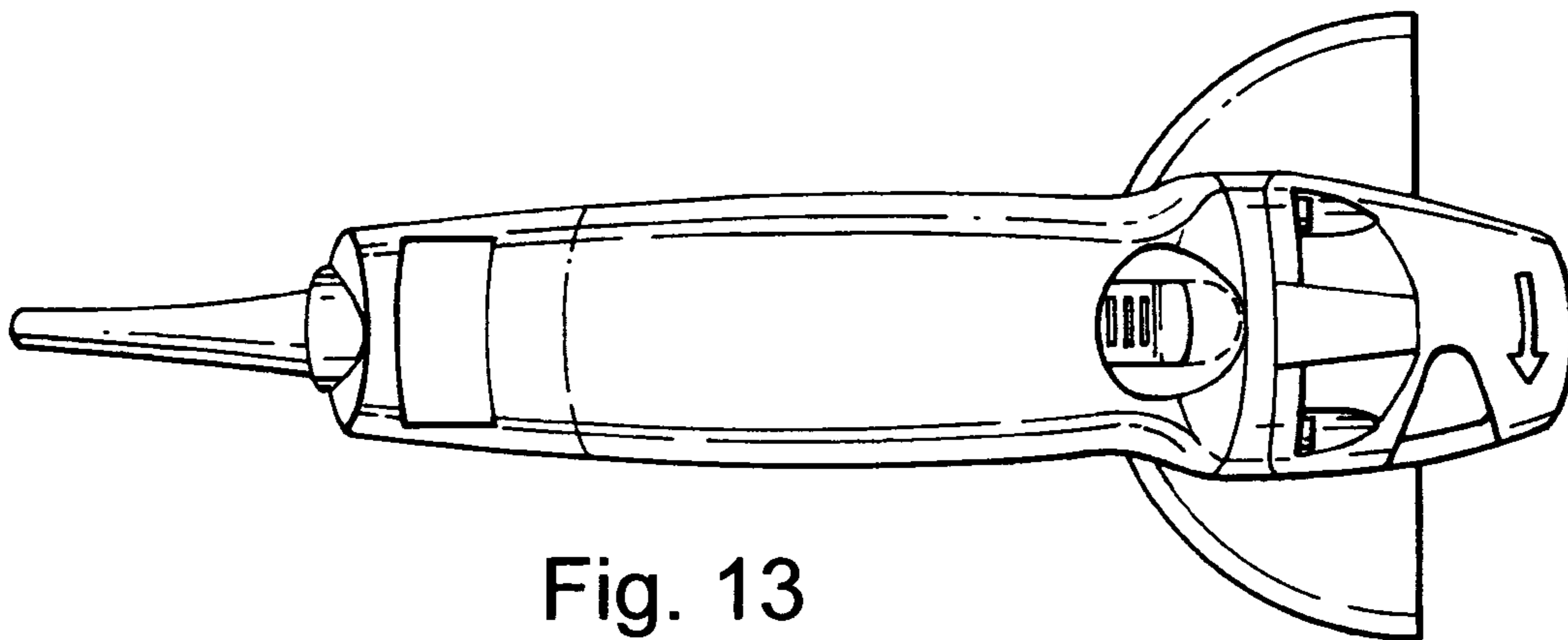


Fig. 13



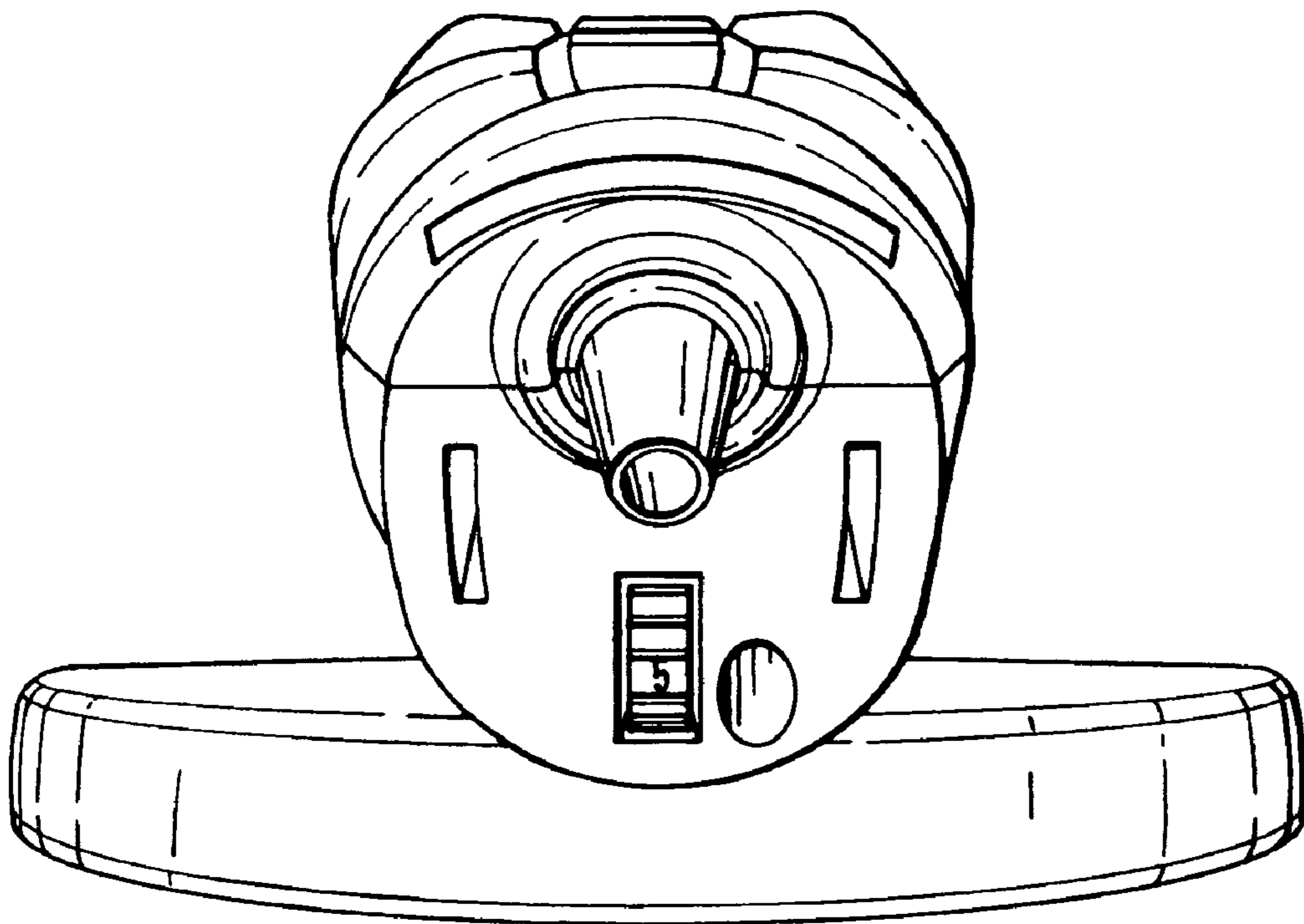


Fig. 14