



US00D585712S

(12) **United States Design Patent**
Lawrence et al.

(10) **Patent No.:** **US D585,712 S**
(45) **Date of Patent:** **** Feb. 3, 2009**

- (54) **DOUBLE GROOVE CONCRETE JOINTER**
- (75) Inventors: **David Lawrence**, Clever, MO (US);
Cassie Lawrence, Clever, MO (US)
- (73) Assignee: **Lawrence Concrete, L.L.C.**, Clever,
MO (US)
- (**) Term: **14 Years**
- (21) Appl. No.: **29/307,374**
- (22) Filed: **Apr. 16, 2008**
- (51) **LOC (9) Cl.** **08-05**
- (52) **U.S. Cl.** **D8/45**
- (58) **Field of Classification Search** D8/14,
D8/45, 16; 15/235.4, 235.5, 235.6, 235.7,
15/235.8; 404/89, 93, 97
See application file for complete search history.

5,058,350 A	10/1991	Mochiki et al.	
5,061,172 A	10/1991	Fennessy	
5,073,062 A	12/1991	Leone	
5,092,091 A	3/1992	Hull	
5,135,332 A	8/1992	Hellwig et al.	
5,160,748 A	11/1992	Gauuan	
D333,245 S *	2/1993	Griggs	D8/45
5,236,277 A	8/1993	Hybertson	
5,249,886 A	10/1993	Huerta	
5,468,094 A	11/1995	Vanderpan	
5,487,526 A	1/1996	Hupp	
5,487,656 A	1/1996	Kaitanjian	
5,632,569 A	5/1997	Szmansky	
5,676,489 A	10/1997	Willhoite	
5,956,912 A	9/1999	Carter et al.	
6,113,308 A	9/2000	Johnson	
6,138,318 A *	10/2000	Pyatt et al.	15/235.4
6,189,278 B1	2/2001	Frietsch	
7,001,103 B2	2/2006	Sippola	
7,003,921 B2	2/2006	Hisano	
7,010,828 B1 *	3/2006	Flores	15/235.3
7,080,955 B2	7/2006	Gregg	
7,228,666 B2	6/2007	Michiels	

(56) **References Cited**
U.S. PATENT DOCUMENTS

761,242 A *	5/1904	Meyers	15/235.7
1,445,229 A	2/1923	Miller	
3,758,909 A *	9/1973	Granger, Jr.	15/235.8
3,806,268 A *	4/1974	Francis	404/89
3,936,209 A	2/1976	Krage	
3,936,210 A	2/1976	Oehlerking	
3,954,359 A	5/1976	Larkin	
3,998,564 A	12/1976	Serlin	
4,032,249 A	6/1977	DeVitis	
4,070,128 A	1/1978	Garrison	
4,073,592 A	2/1978	Godberson	
4,090,800 A	5/1978	Koch	
4,097,173 A	6/1978	Tout	
4,171,849 A	10/1979	Jacobson et al.	
4,198,176 A	4/1980	Bentz	
4,224,274 A	9/1980	Ozawa	
4,231,677 A	11/1980	Roming	
4,253,816 A	3/1981	Tobias et al.	
4,299,513 A	11/1981	Stegmeier	
4,397,581 A *	8/1983	Jarvis	15/235.4
4,516,875 A	5/1985	Turner	
4,743,140 A	5/1988	Maletic	
4,776,723 A	10/1988	Brimo	
4,822,209 A	4/1989	Dragich	
4,838,728 A	6/1989	McKeever	
4,867,602 A	9/1989	Courtoise	

* cited by examiner

Primary Examiner—Philip S Hyder
(74) *Attorney, Agent, or Firm*—Mark Murphey Henry;
Nathan Price Chaney

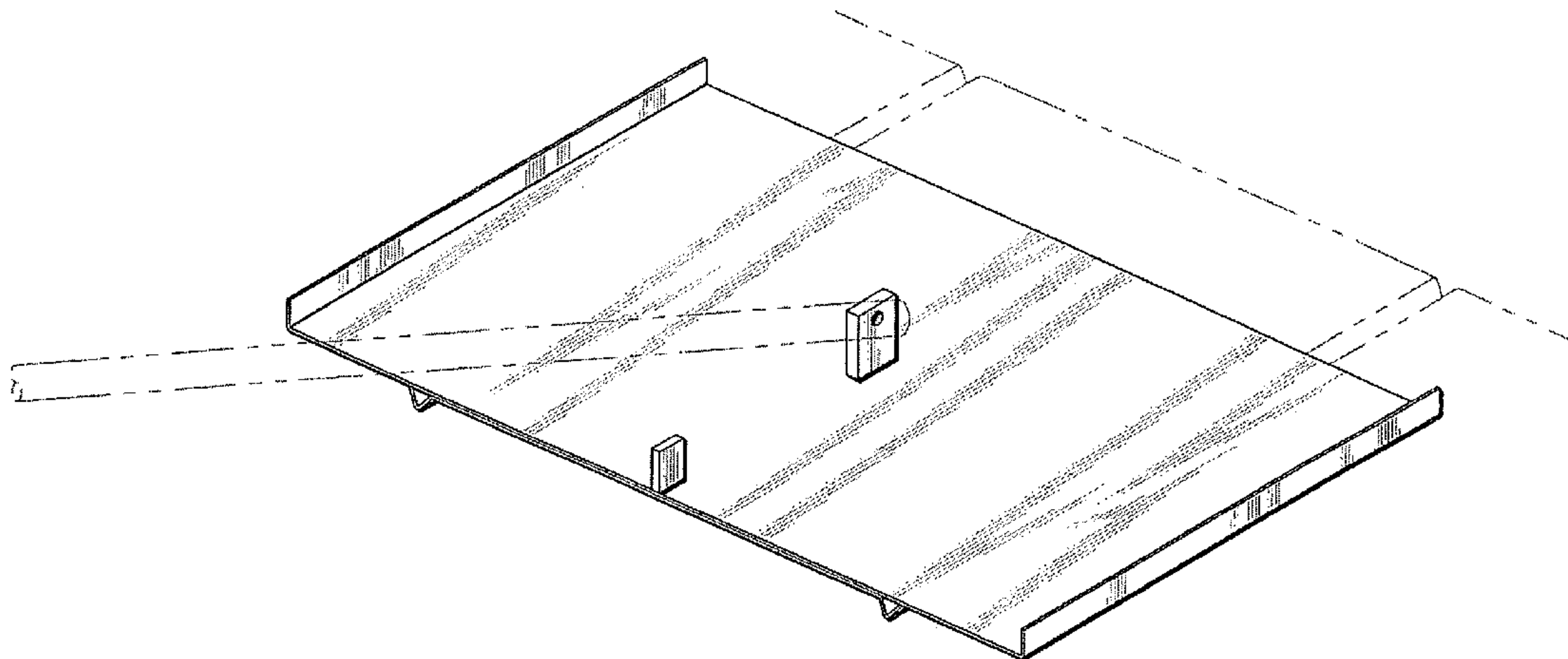
(57) **CLAIM**

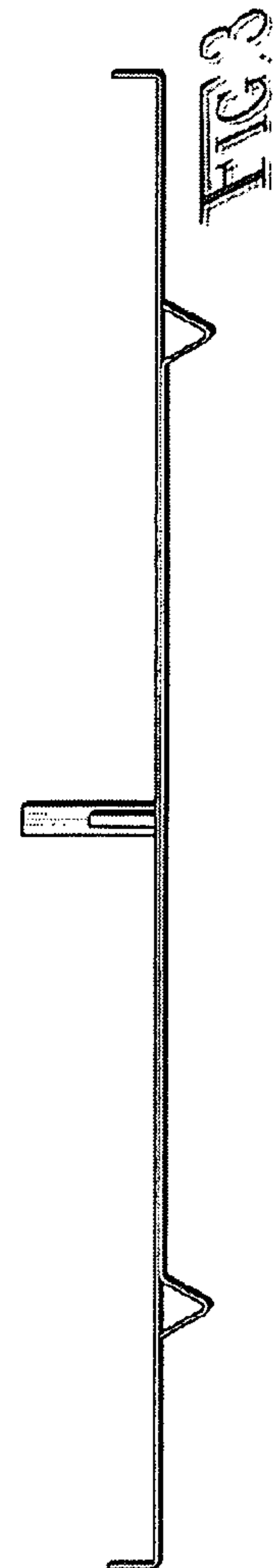
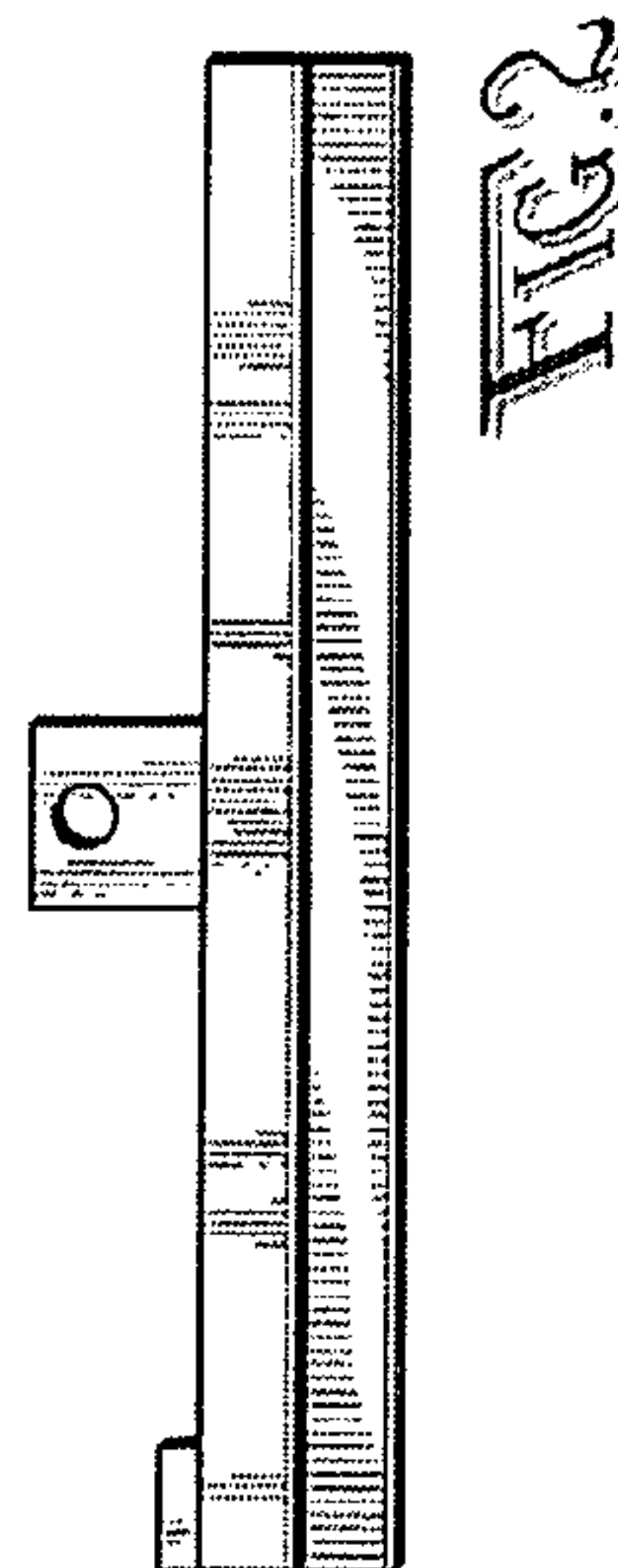
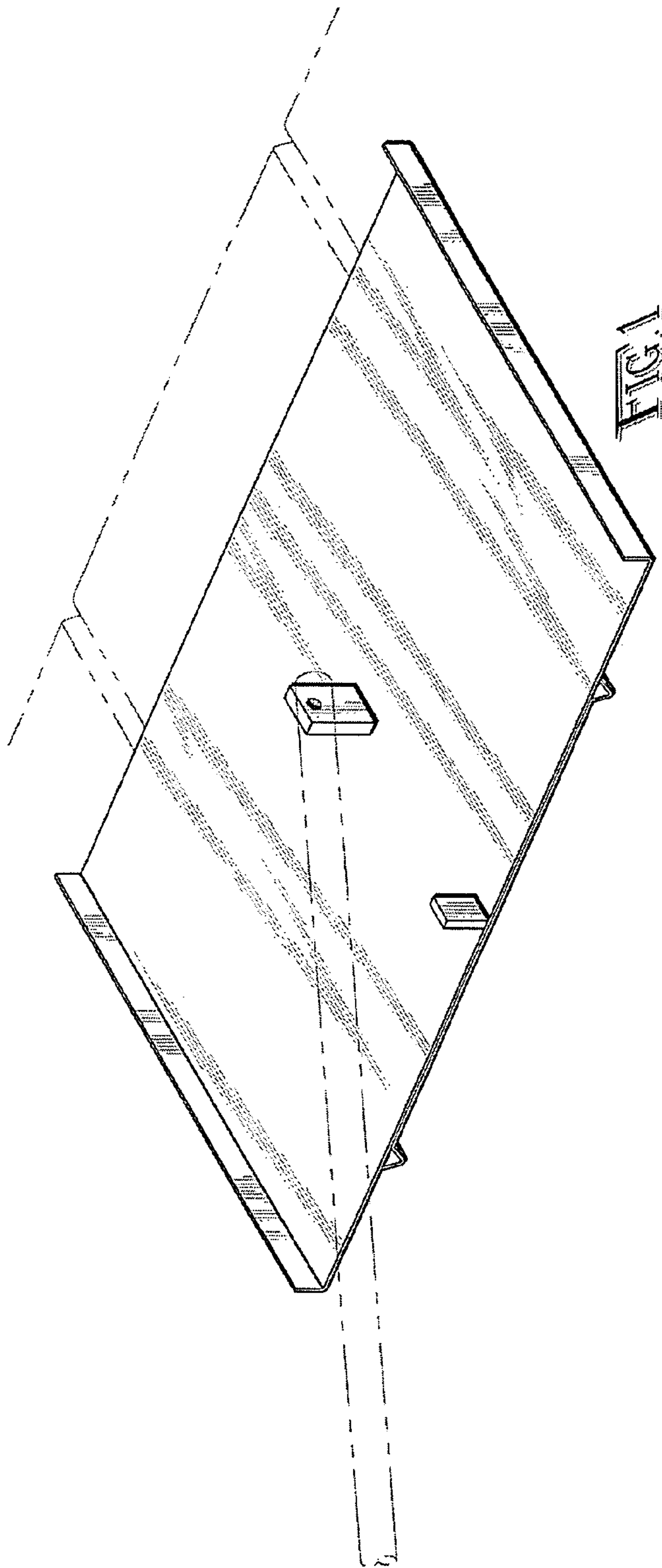
The ornamental design of a double groove concrete jointer, as shown and described.

DESCRIPTION

FIG. 1 is a perspective view of the double groove concrete jointer of the invention.
FIG. 2 is a side view of the double groove concrete jointer.
FIG. 3 is a front view of the double groove concrete jointer.
FIG. 4 is a top view of the double groove concrete jointer; and,
FIG. 5 is a bottom view of the double groove concrete jointer.
The broken line portions of FIG. 1 are included for purposes of environment and form no part of the claimed design.

1 Claim, 3 Drawing Sheets





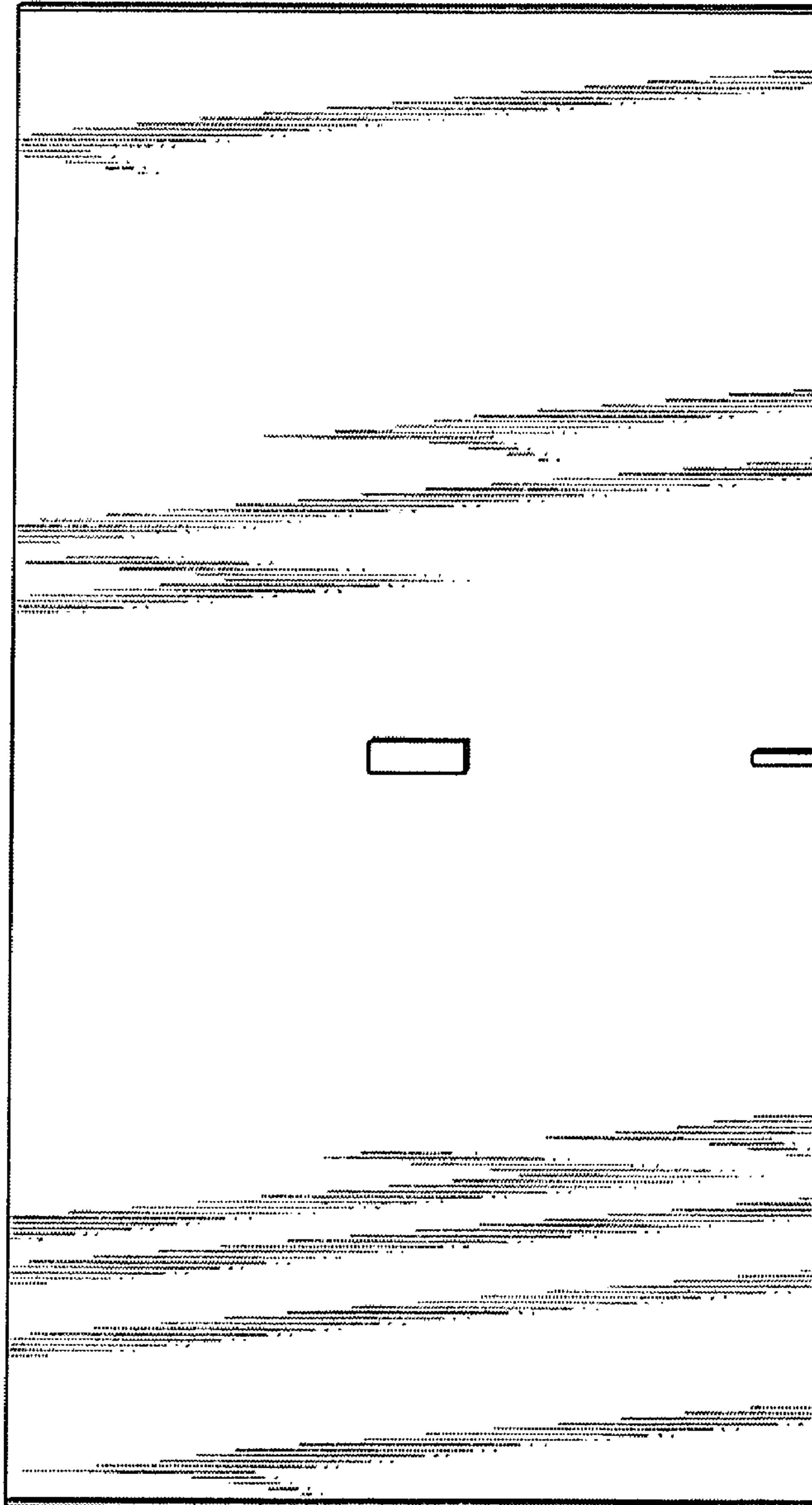


FIG. 4

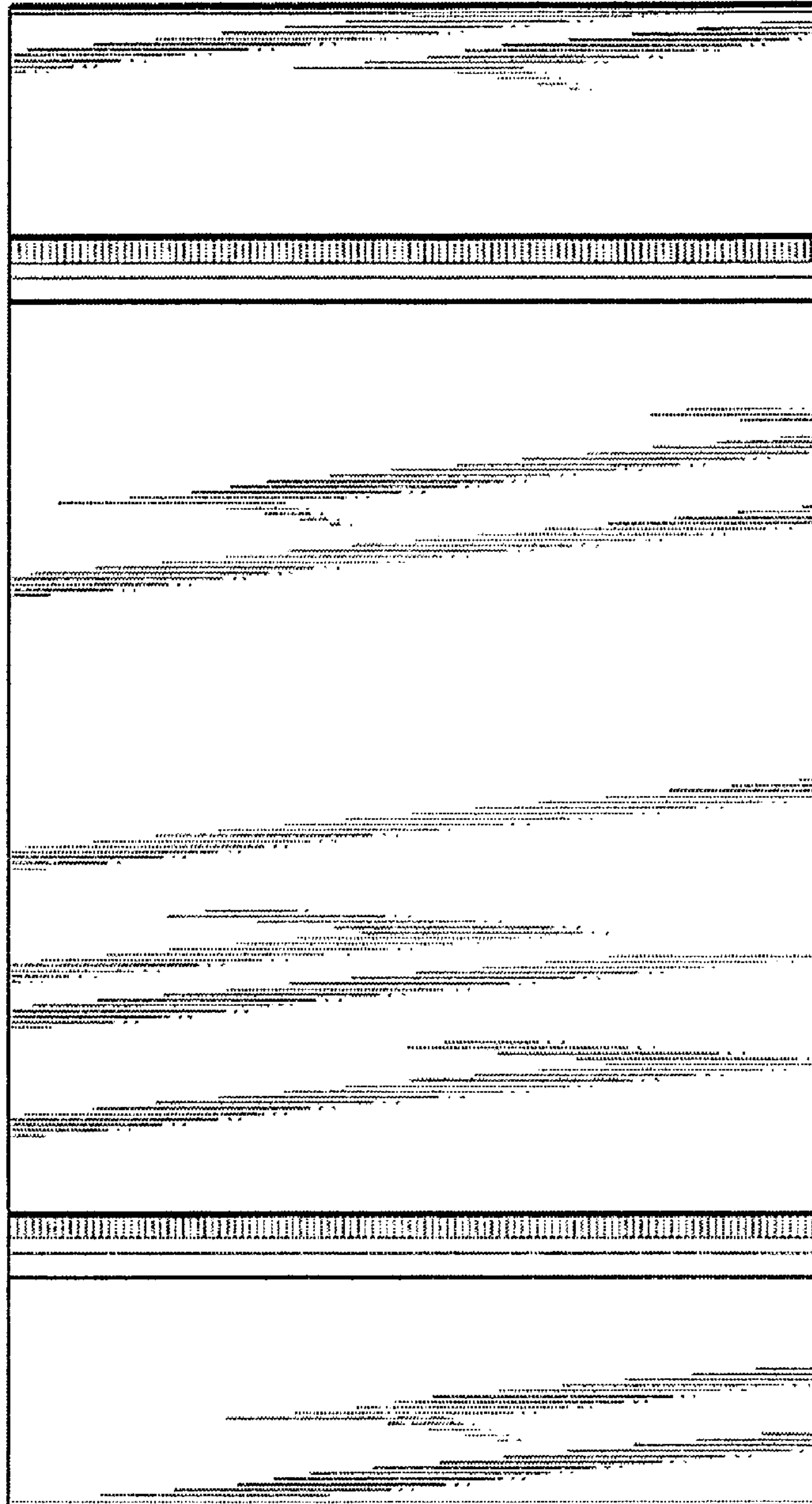


FIG. 3