



US00D585711S

(12) **United States Design Patent**
Kang

(10) **Patent No.:** **US D585,711 S**

(45) **Date of Patent:** **** Feb. 3, 2009**

(54) **AUTOMOBILE SHEET METAL REPAIRING TOOL**

5,497,648 A * 3/1996 Crossman 72/466.6
6,960,125 B2 * 11/2005 Mick 451/525
7,169,029 B2 * 1/2007 Petersen et al. 451/523

(76) Inventor: **Hsin Fa Kang**, P.O. Box 90, Tainan City (TW) 70499

* cited by examiner

Primary Examiner—Philip S Hyder

(**) Term: **14 Years**

(21) Appl. No.: **29/303,041**

(57) **CLAIM**

(22) Filed: **Jan. 31, 2008**

The ornamental design for an automobile sheet metal repairing tool, as shown and described.

(51) **LOC (9) Cl.** **08-05**

(52) **U.S. Cl.** **D8/14; D8/90**

(58) **Field of Classification Search** D8/14,
D8/90, 91; D32/40; 72/466.6, 477, 705;
451/523, 524, 525, 540

See application file for complete search history.

DESCRIPTION

FIG. 1 is a perspective view of an automobile sheet metal repairing tool showing my design;

FIG. 2 is a front elevational view thereof;

FIG. 3 is a rear elevational view thereof;

FIG. 4 is a left side elevational view thereof;

FIG. 5 is a right side elevational view thereof;

FIG. 6 is a top plan view thereof; and,

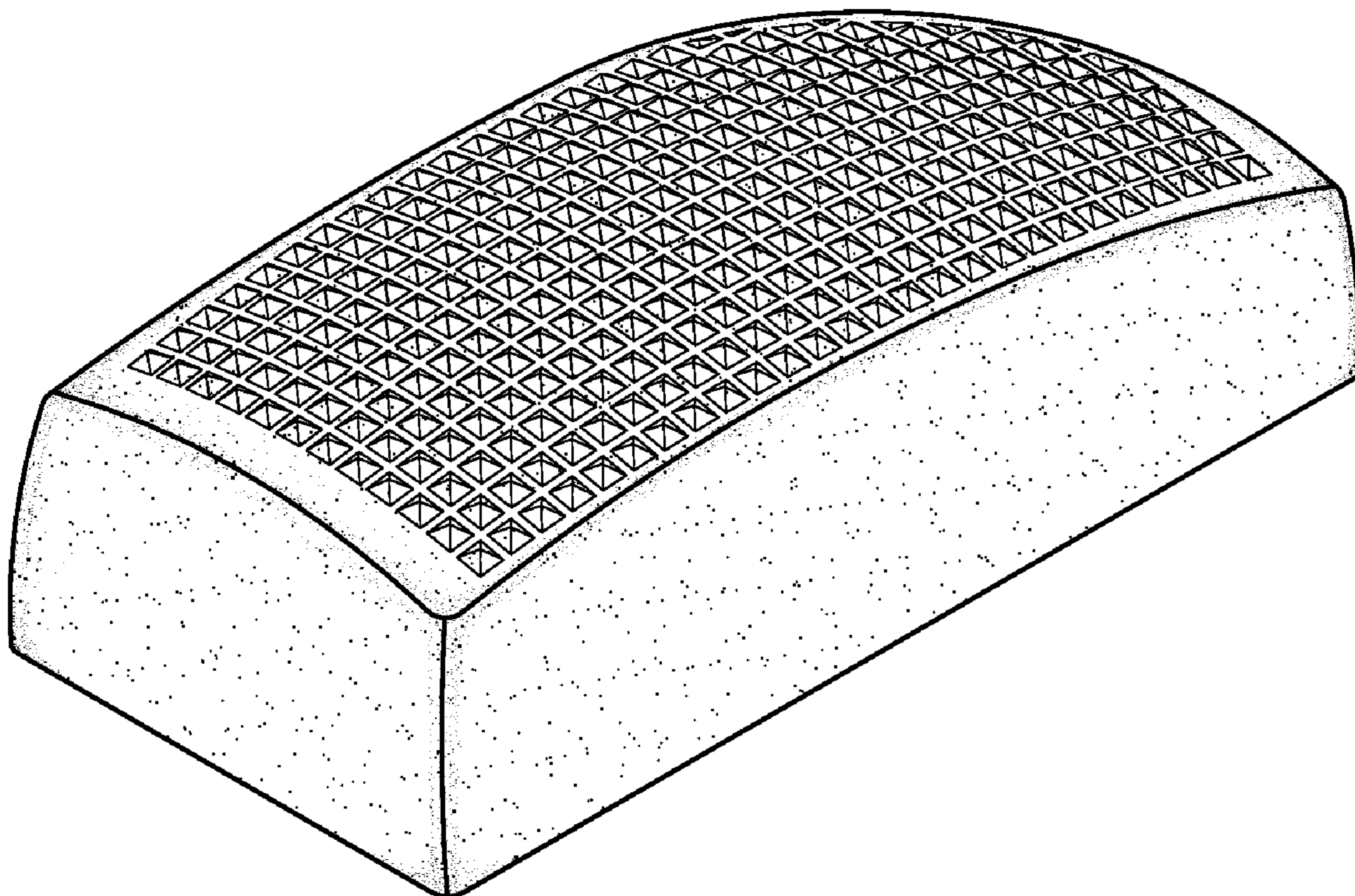
FIG. 7 is a bottom plan view thereof.

(56) **References Cited**

U.S. PATENT DOCUMENTS

1,506,578 A * 8/1924 Grandahl 72/477
2,518,073 A * 8/1950 Sargent 72/466.6
4,677,840 A * 7/1987 Kellogg et al. 72/466.6
D329,583 S * 9/1992 Medina D8/90

1 Claim, 4 Drawing Sheets



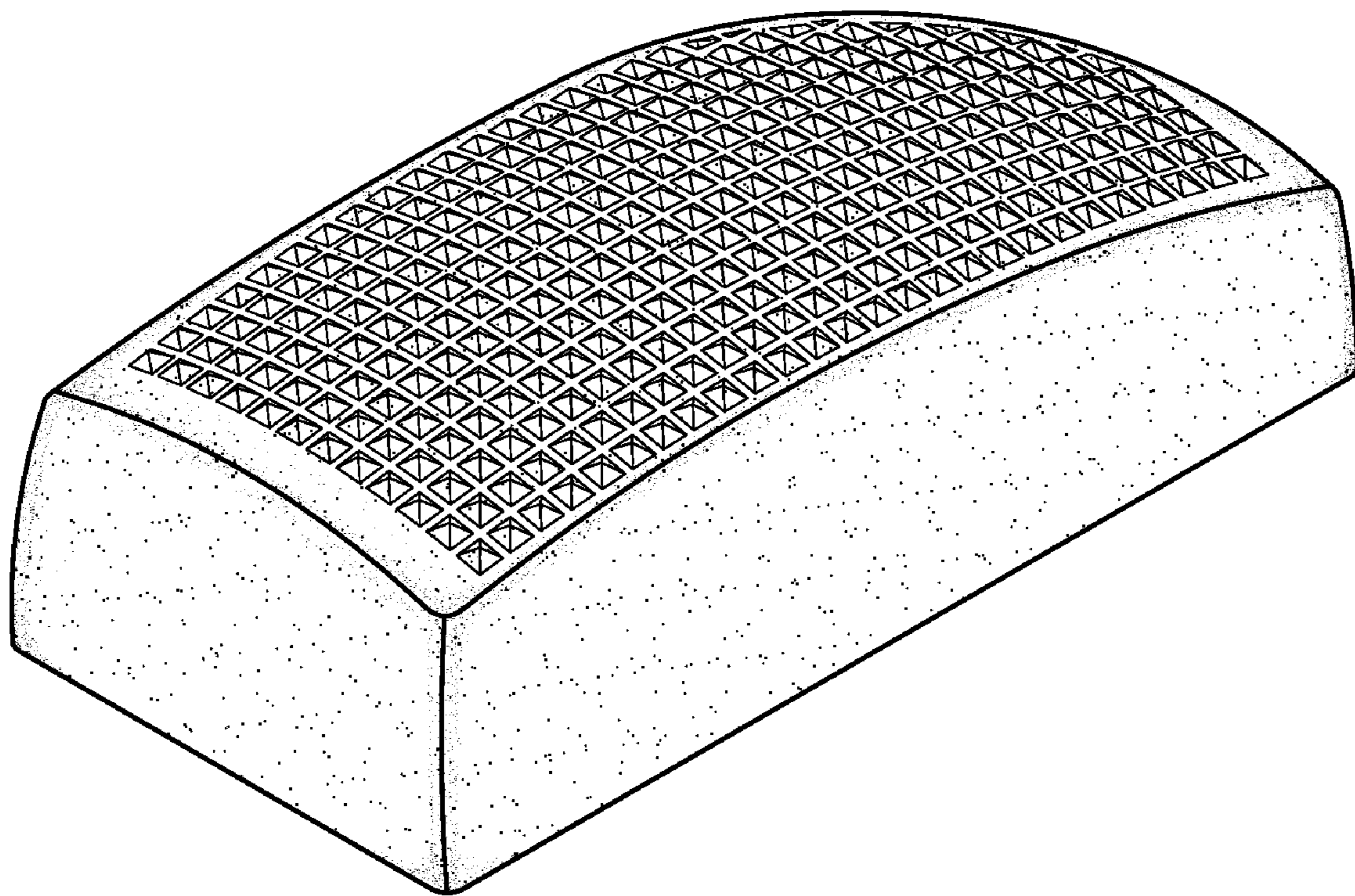


FIG. 1

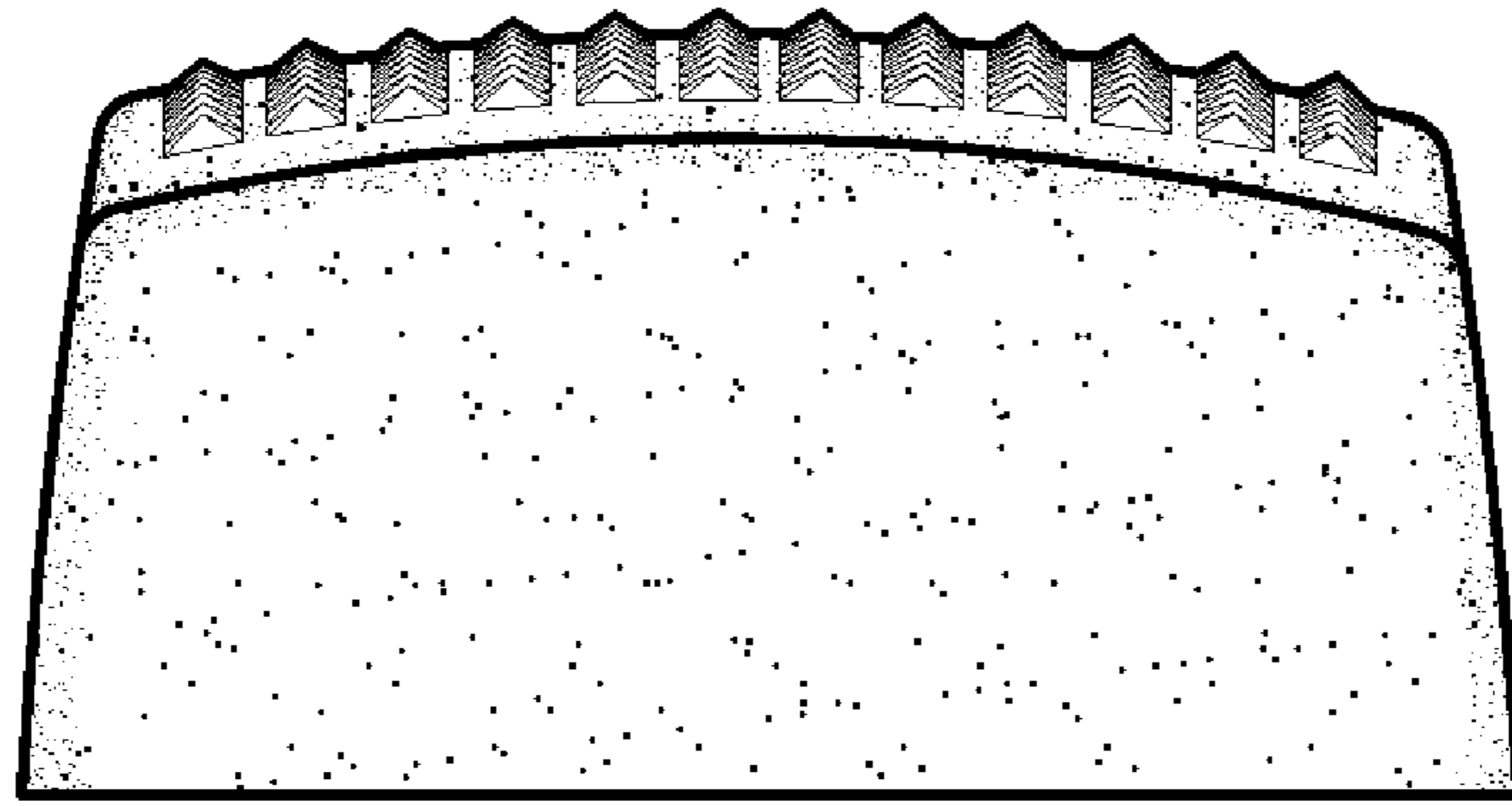


FIG. 2

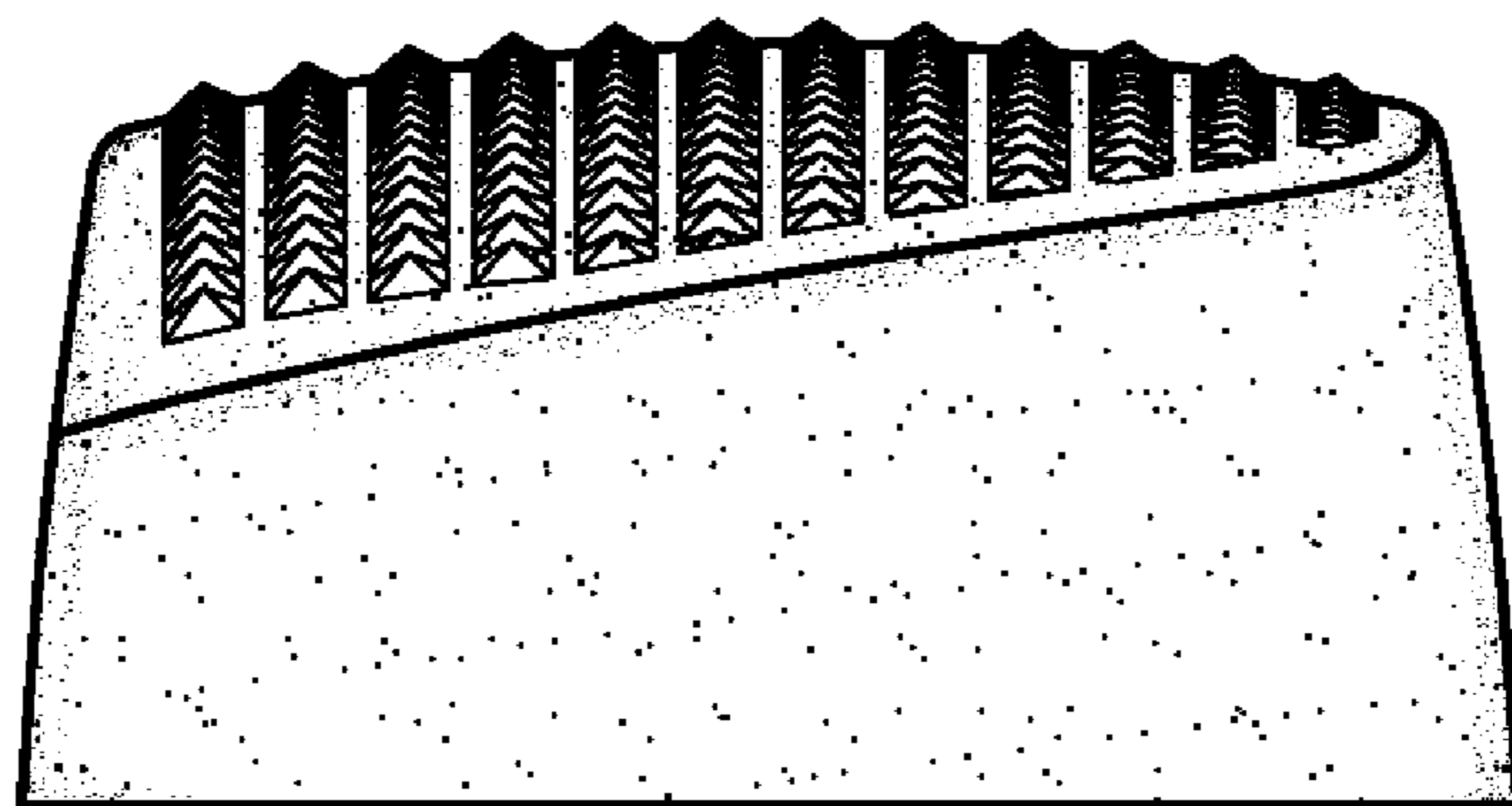


FIG. 3

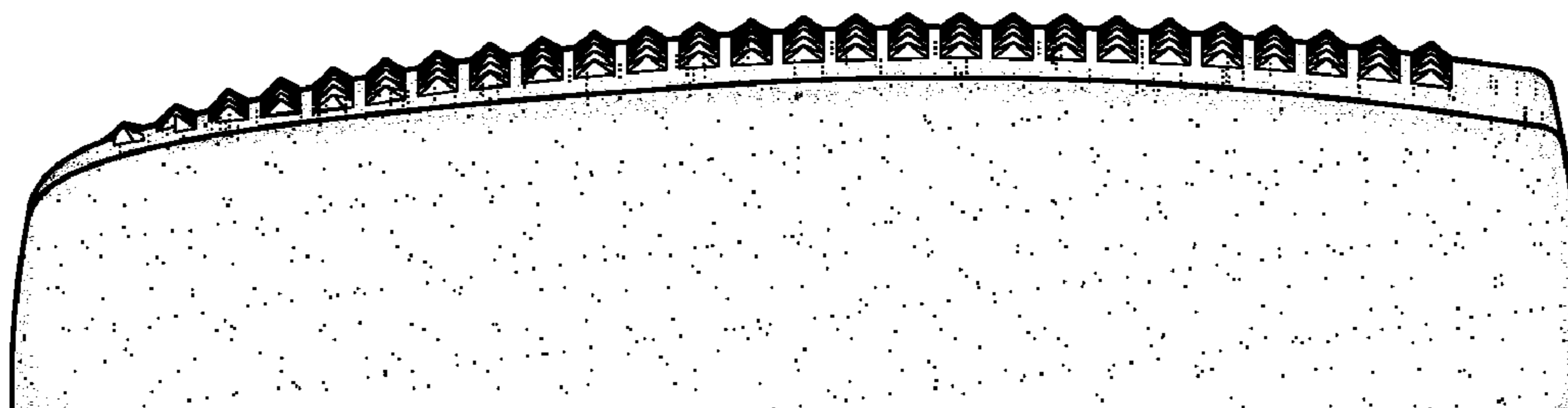


FIG. 4

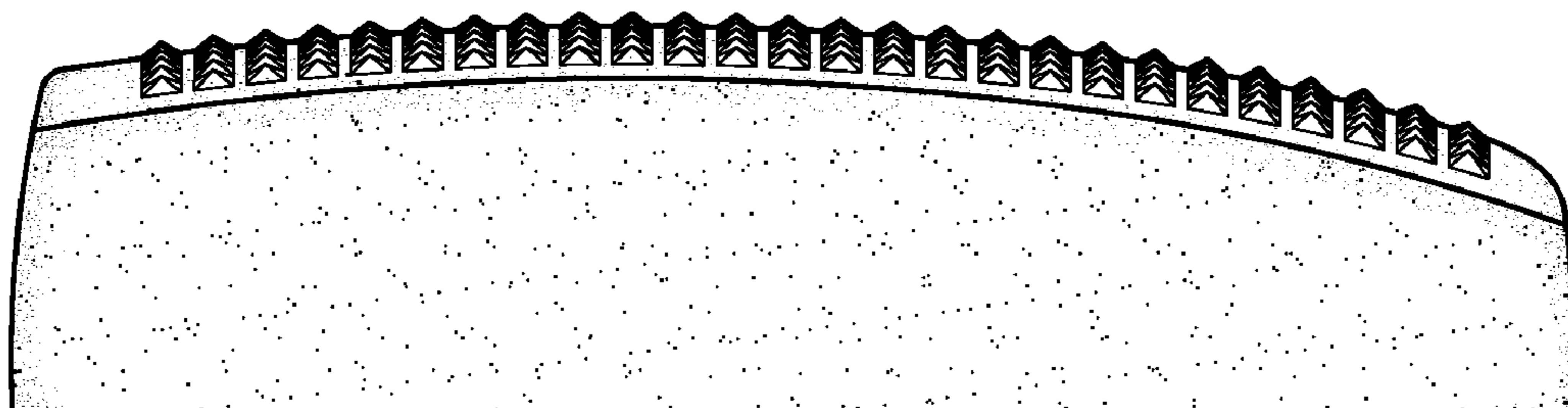


FIG. 5

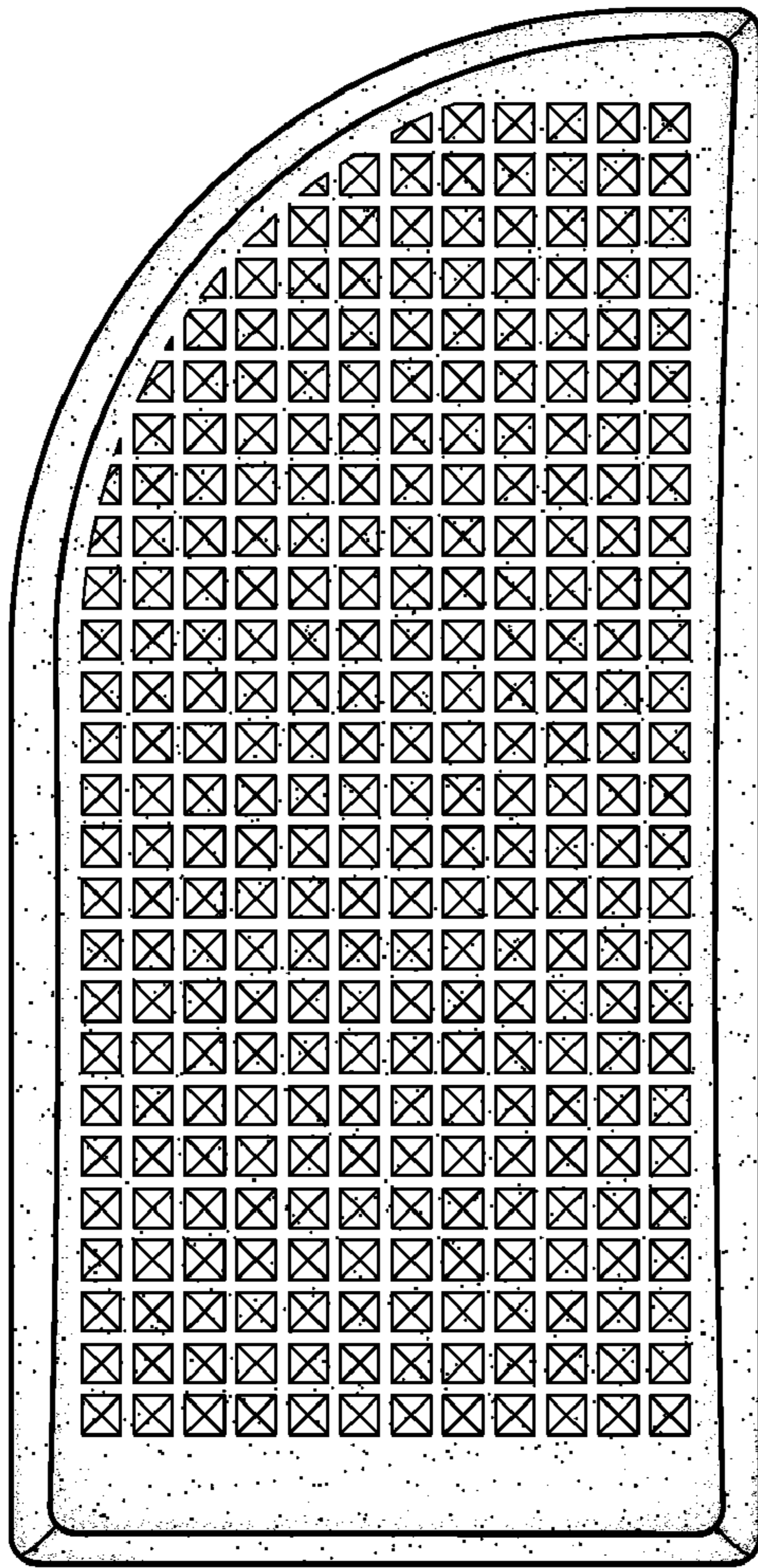


FIG. 6

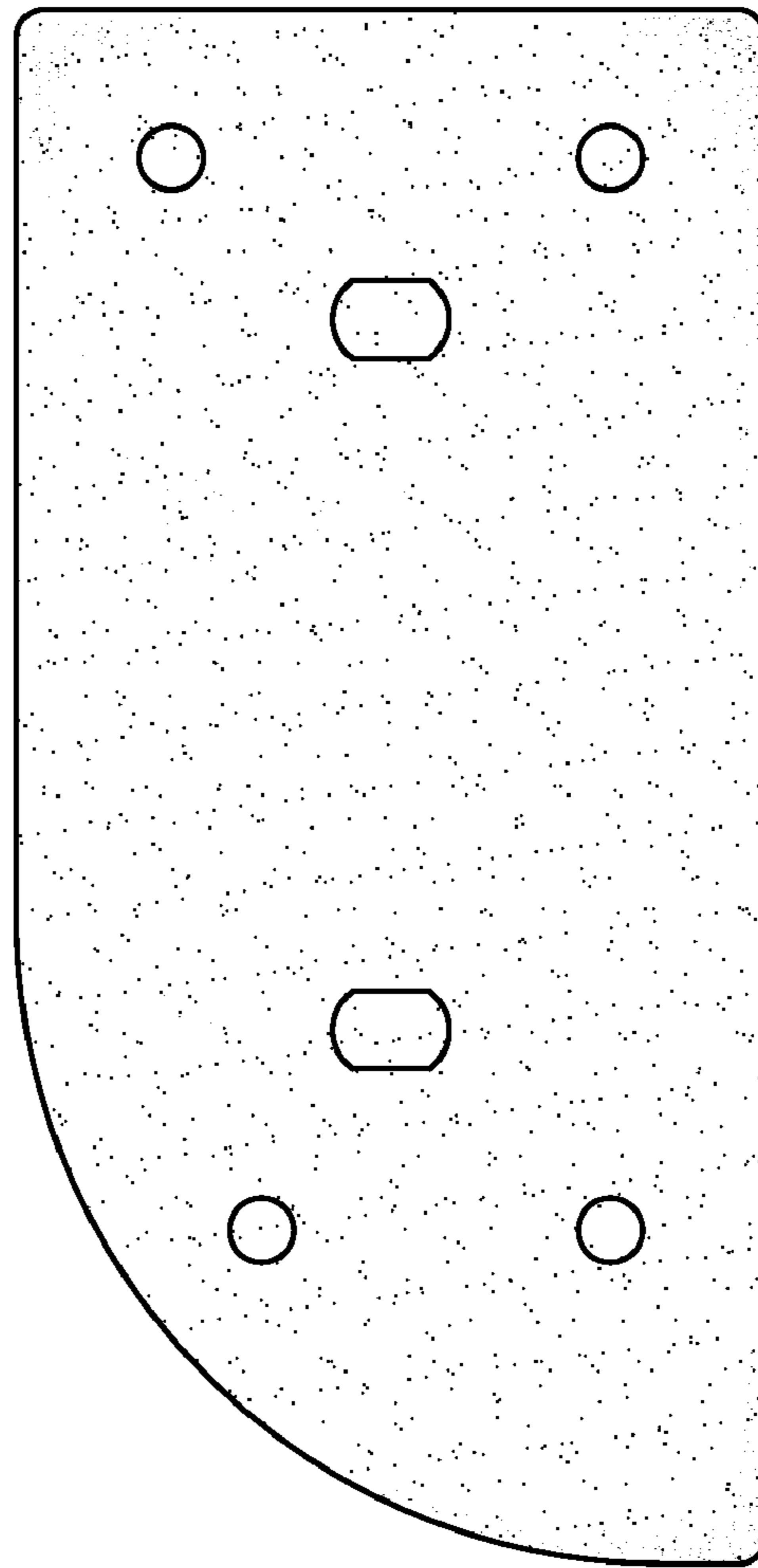


FIG. 7