



US00D585700S

(12) **United States Design Patent**
Chu

(10) **Patent No.:** **US D585,700 S**
(45) **Date of Patent:** **** Feb. 3, 2009**

- (54) **MUG**
- (75) Inventor: **Chih-Ying Chu**, San Gabriel, CA (US)
- (73) Assignee: **Sweda Company, LLC**
- (**) Term: **14 Years**
- (21) Appl. No.: **29/292,304**
- (22) Filed: **Oct. 6, 2007**
- (51) **LOC (9) Cl.** **07-99**
- (52) **U.S. Cl.** **D7/396.2; D7/510; D7/624.2**
- (58) **Field of Classification Search** D7/387,
D7/396.1, 396.2, 624.1, 624.2, 619.1, 622,
D7/319, 620, 500, 509, 511, 523; D24/199;
D9/444, 711, 716, 742, 751, 501, 443; D3/229;
215/395, 394, 703, 592.16, 592.17; 224/148.6;
294/33; 62/457.3; 220/711
See application file for complete search history.

(56) **References Cited**

U.S. PATENT DOCUMENTS

- D206,889 S * 2/1967 Benes D7/523
- D350,457 S * 9/1994 Bailey D7/622
- 5,415,305 A * 5/1995 Drake-Tipton et al. 215/392
- 5,425,497 A * 6/1995 Sorensen 220/738
- D429,447 S * 8/2000 Prag D7/607
- D430,456 S * 9/2000 Thuma D7/509

- D431,735 S * 10/2000 Sullivan D6/457
- D524,118 S * 7/2006 Gregorczyk D7/624.2
- D530,153 S * 10/2006 Karp D7/510
- D531,460 S * 11/2006 McIntosh et al. D7/624.2
- D543,790 S * 6/2007 Szymanski D7/607
- D549,099 S * 8/2007 Edwards D9/501

* cited by examiner

Primary Examiner—Marianne Pandozzi
Assistant Examiner—Cynthia Underwood
(74) *Attorney, Agent, or Firm*—Clement Cheng

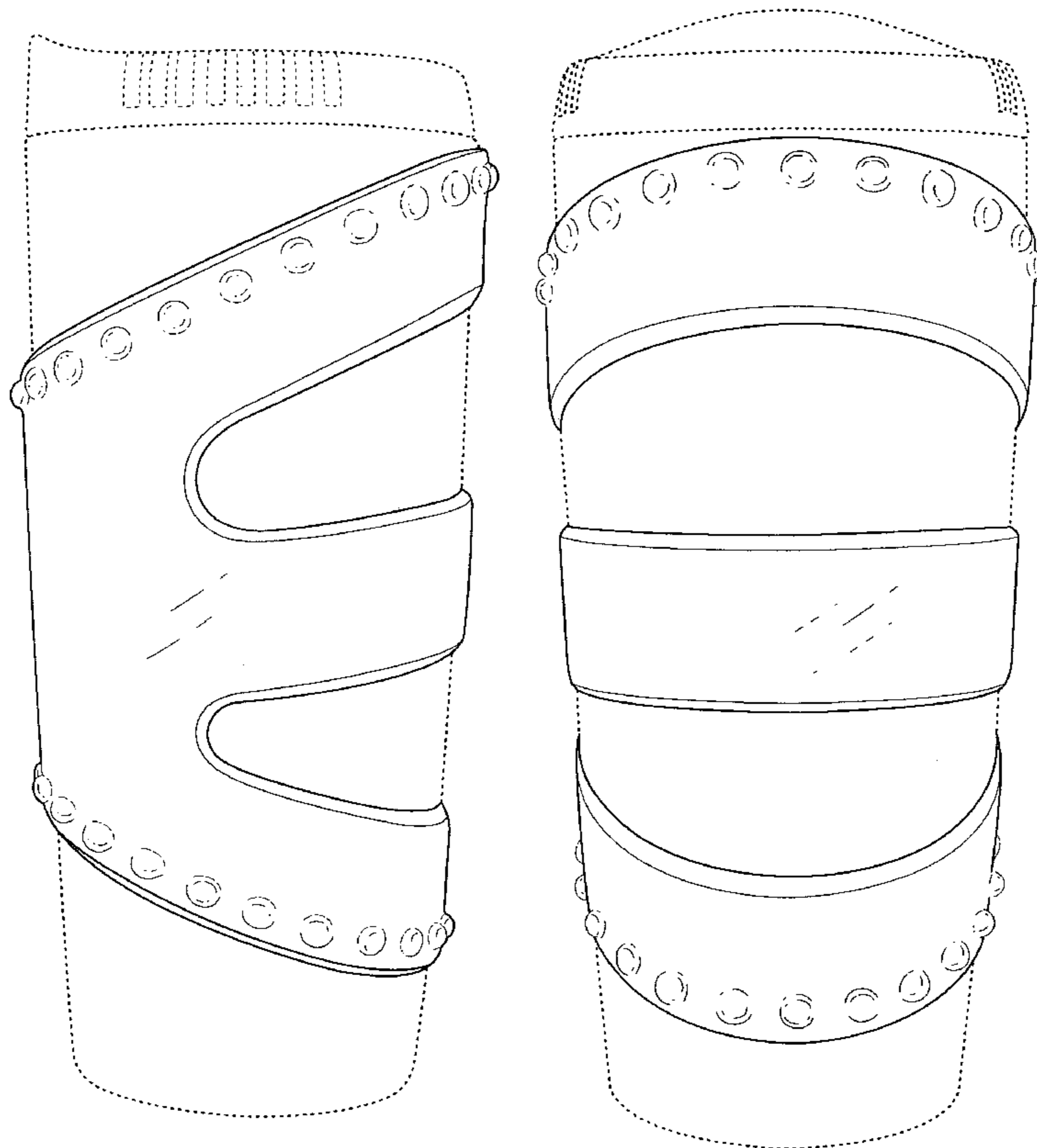
(57) **CLAIM**

The ornamental design for a mug, as shown and described.

DESCRIPTION

- FIG. 1 is a perspective view.
 - FIG. 2 is a front view.
 - FIG. 3 is a right side view.
 - FIG. 4 is a left side view.
 - FIG. 5 is a rear view.
 - FIG. 6 is a top view; and,
 - FIG. 7 is a bottom view.
- The broken lines show portions of the mug that form no part of the claim.

1 Claim, 6 Drawing Sheets



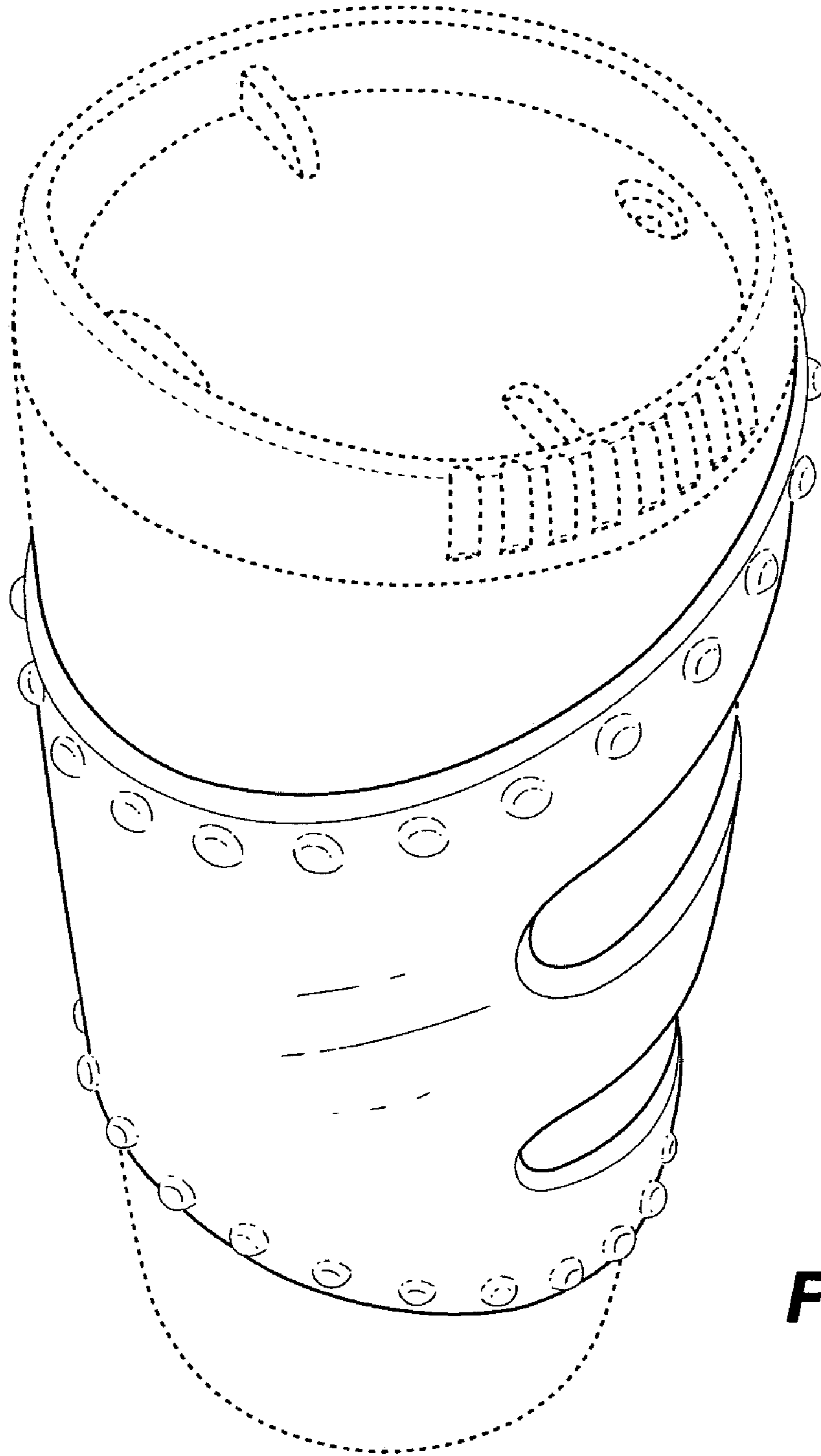


Fig. 1

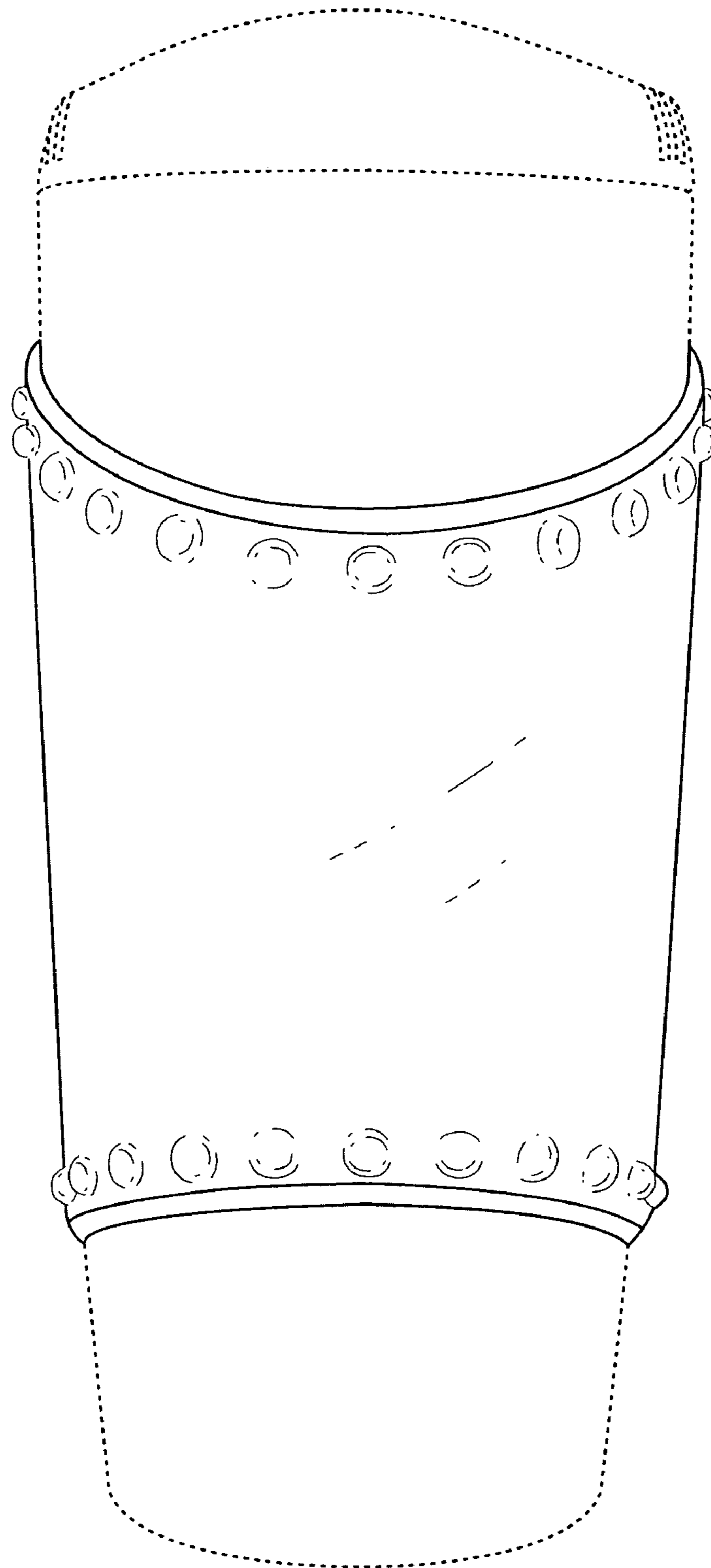


Fig. 2

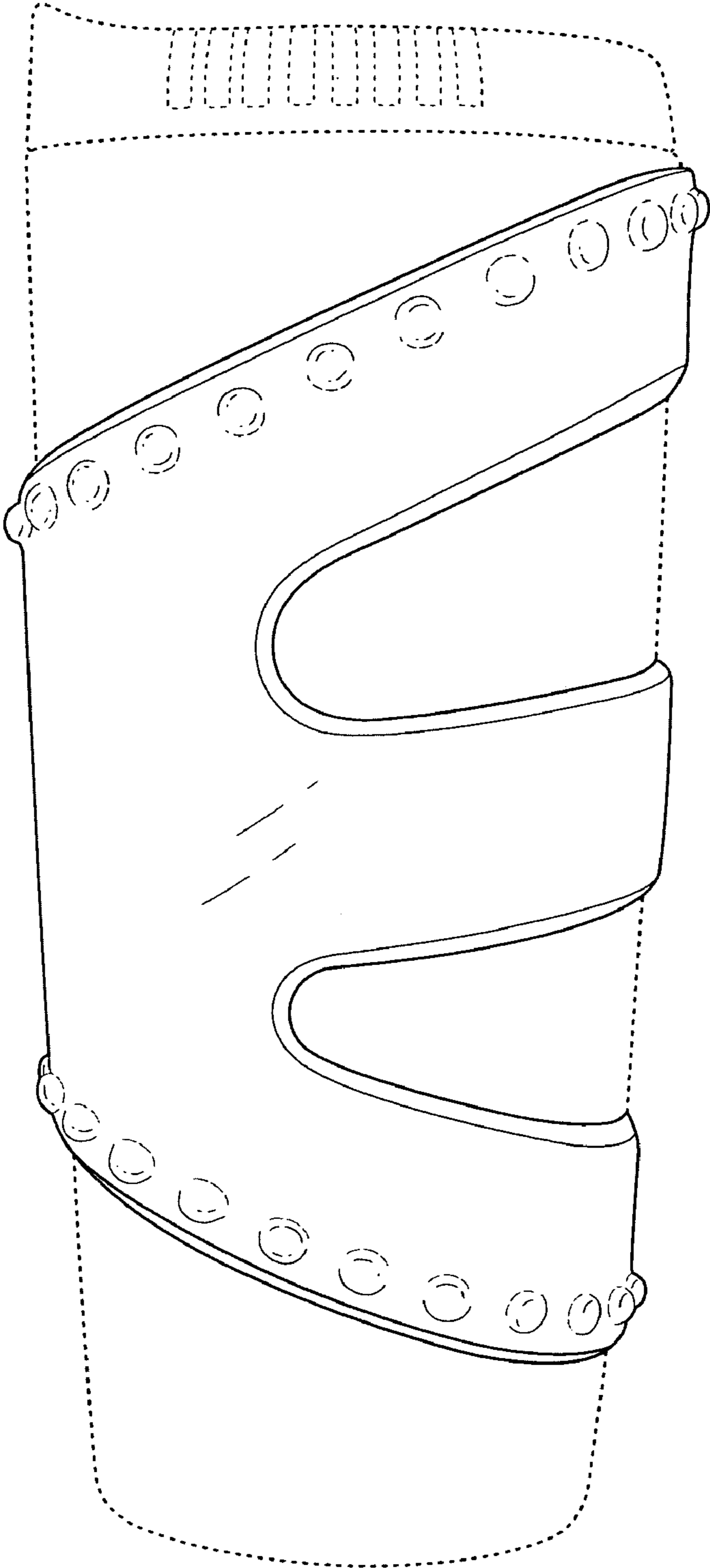


Fig. 3

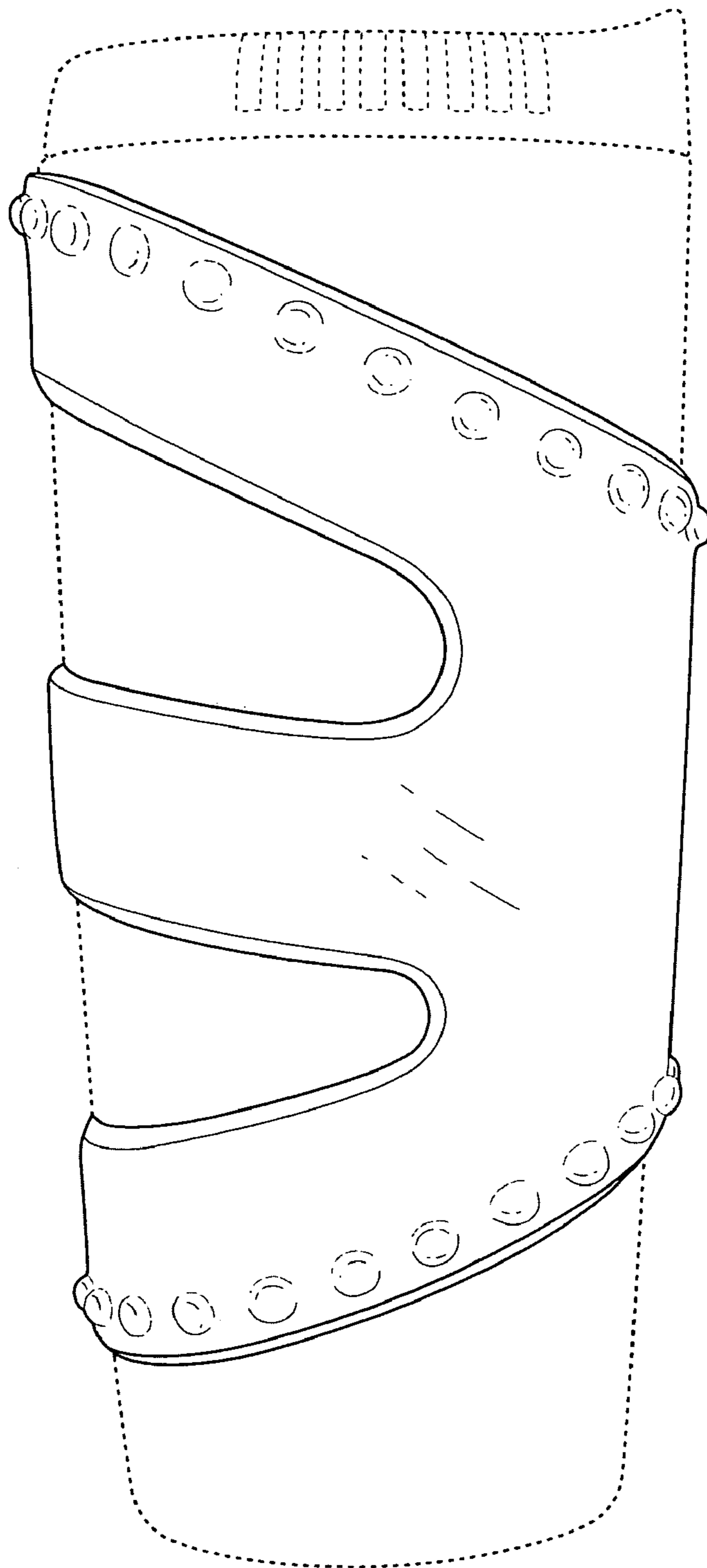


Fig. 4

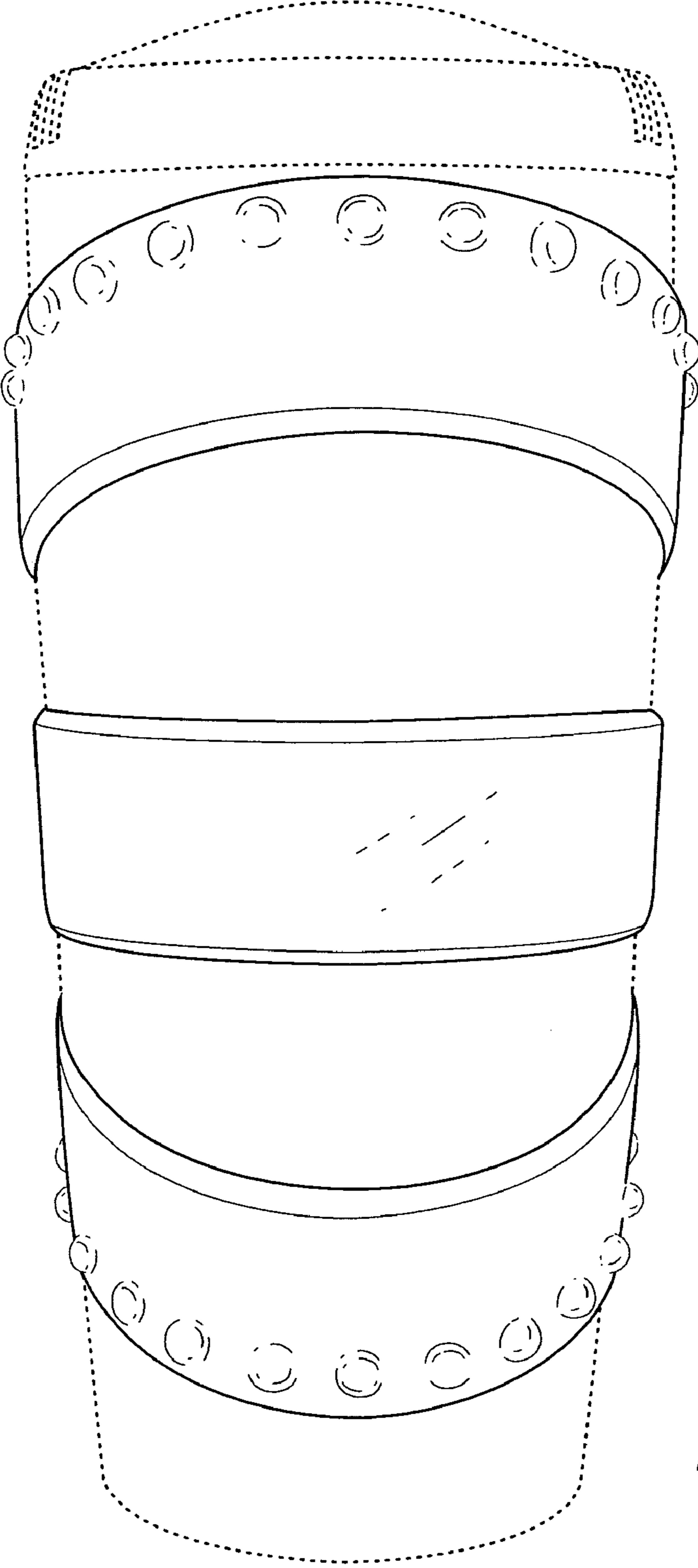


Fig. 5

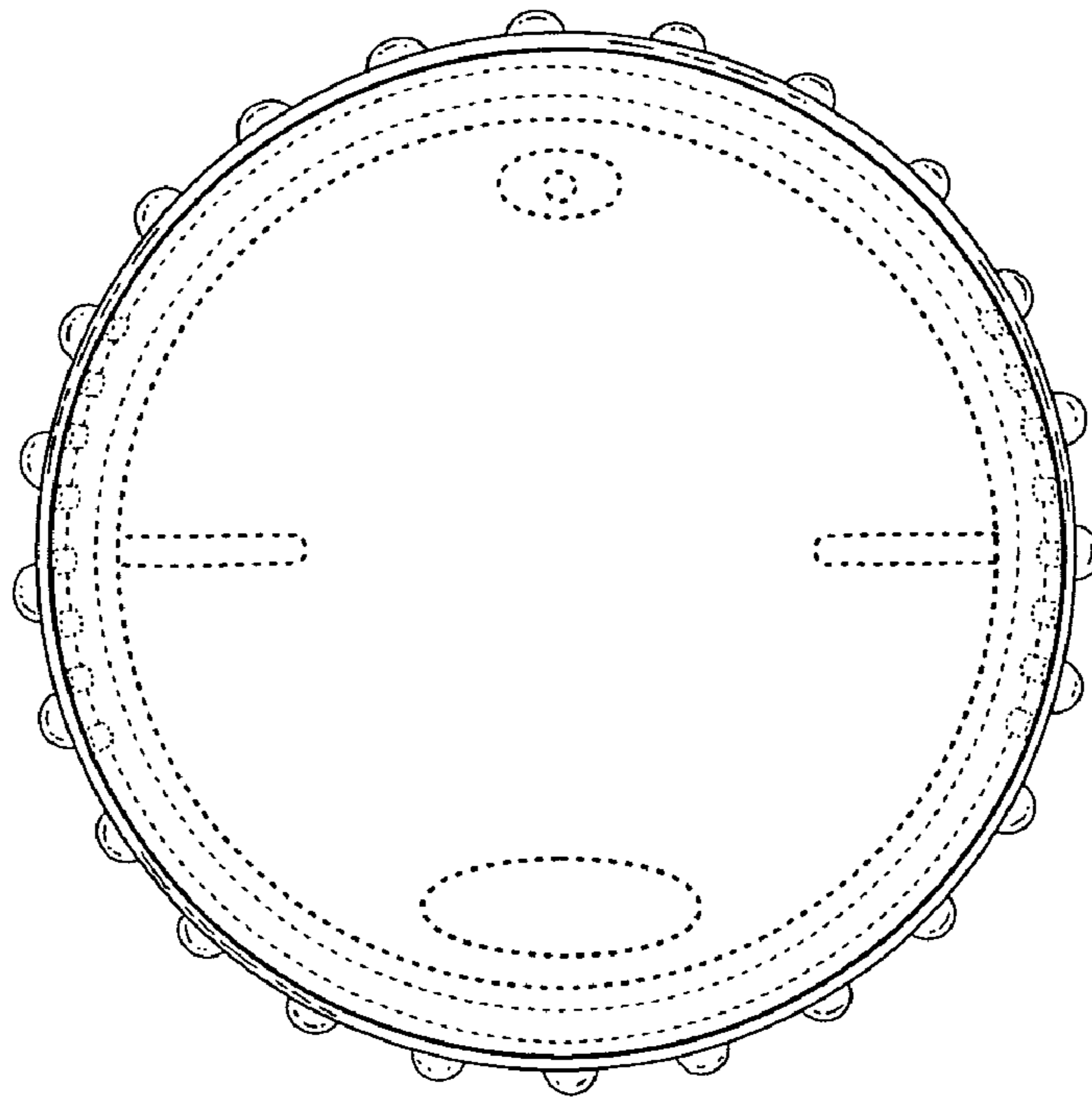


Fig. 6

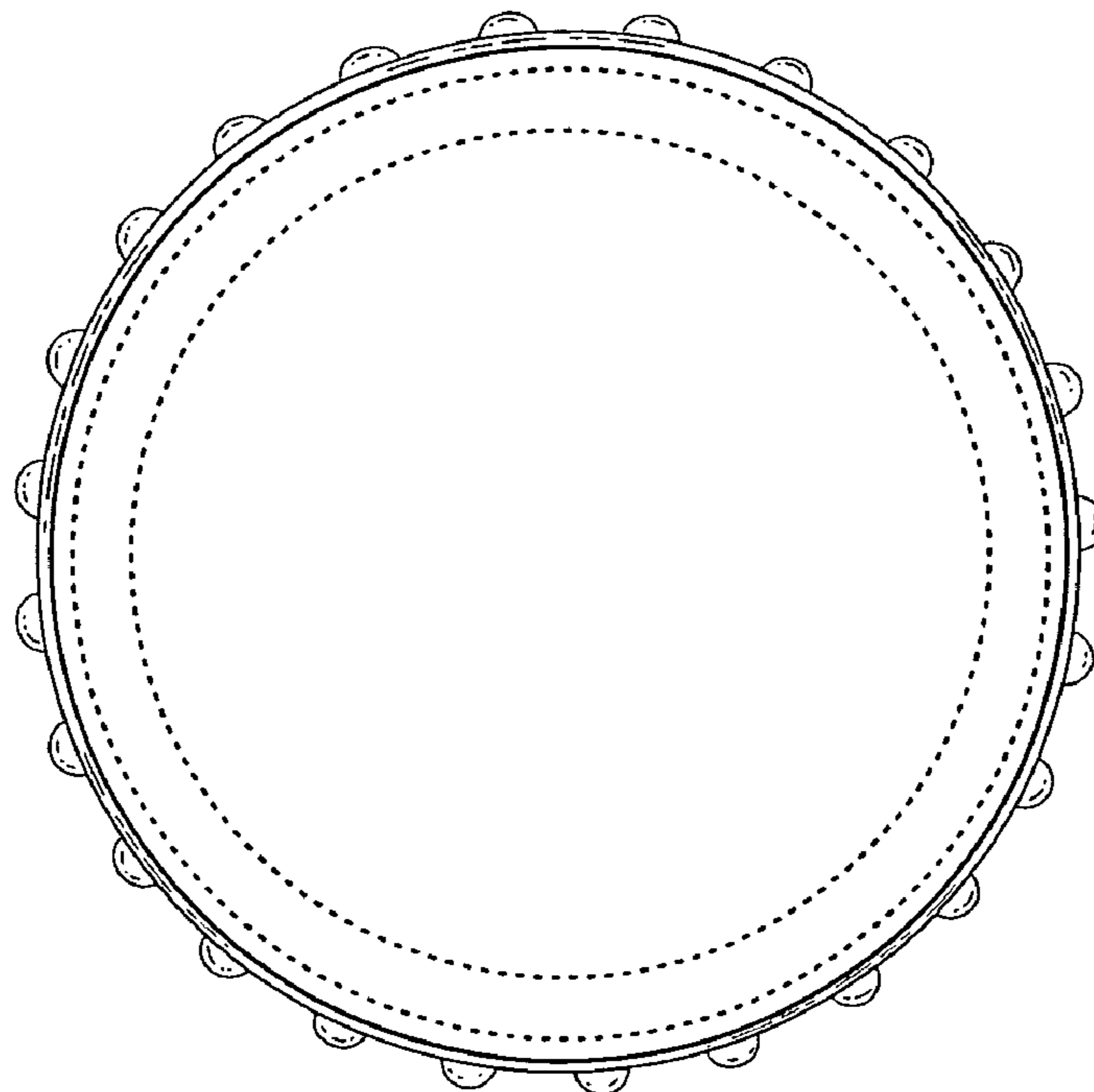


Fig. 7