



US00D585697S

(12) **United States Design Patent**
Chung et al.

(10) **Patent No.:** **US D585,697 S**
(45) **Date of Patent:** **** Feb. 3, 2009**

(54) **MICROWAVE OVEN**

(75) Inventors: **Wook Jun Chung**, Seoul (KR); **Ki Hoon Kim**, Seoul (KR); **Jung Hoon Baek**, Seoul (KR); **Jin Ju Kim**, Seoul (KR)

(73) Assignee: **LG Electronics Inc.**, Seoul (KR)

(**) Term: **14 Years**

(21) Appl. No.: **29/318,637**

(22) Filed: **May 23, 2008**

(30) **Foreign Application Priority Data**

Nov. 27, 2007 (KR) 30-2007-0049272

(51) **LOC (9) Cl.** **07-02**

(52) **U.S. Cl.** **D7/351**

(58) **Field of Classification Search** D7/350.1, D7/350.3, 350.4, 351, 402, 405; 126/19 M, 126/275 E; 219/756-758, 679, 680, 725, 219/727, 734, 435; 99/DIG. 14
See application file for complete search history.

(56) **References Cited**

U.S. PATENT DOCUMENTS

D522,800 S * 6/2006 Lee et al. D7/351

D530,973 S * 10/2006 Lee et al. D7/351
D532,645 S * 11/2006 Lee D7/351
D534,758 S * 1/2007 Lee et al. D7/351
D540,105 S * 4/2007 Lee et al. D7/351
D561,529 S * 2/2008 Suh et al. D7/405

* cited by examiner

Primary Examiner—Ruth McInroy

(74) *Attorney, Agent, or Firm*—Birch, Stewart, Kolasch & Birch, LLP

(57) **CLAIM**

We claim the ornamental design for a microwave oven, as shown and described.

DESCRIPTION

FIG. 1 is a perspective view of a microwave oven showing the new design:

FIG. 2 is a front elevation view thereof;

FIG. 3 is a rear elevation view thereof;

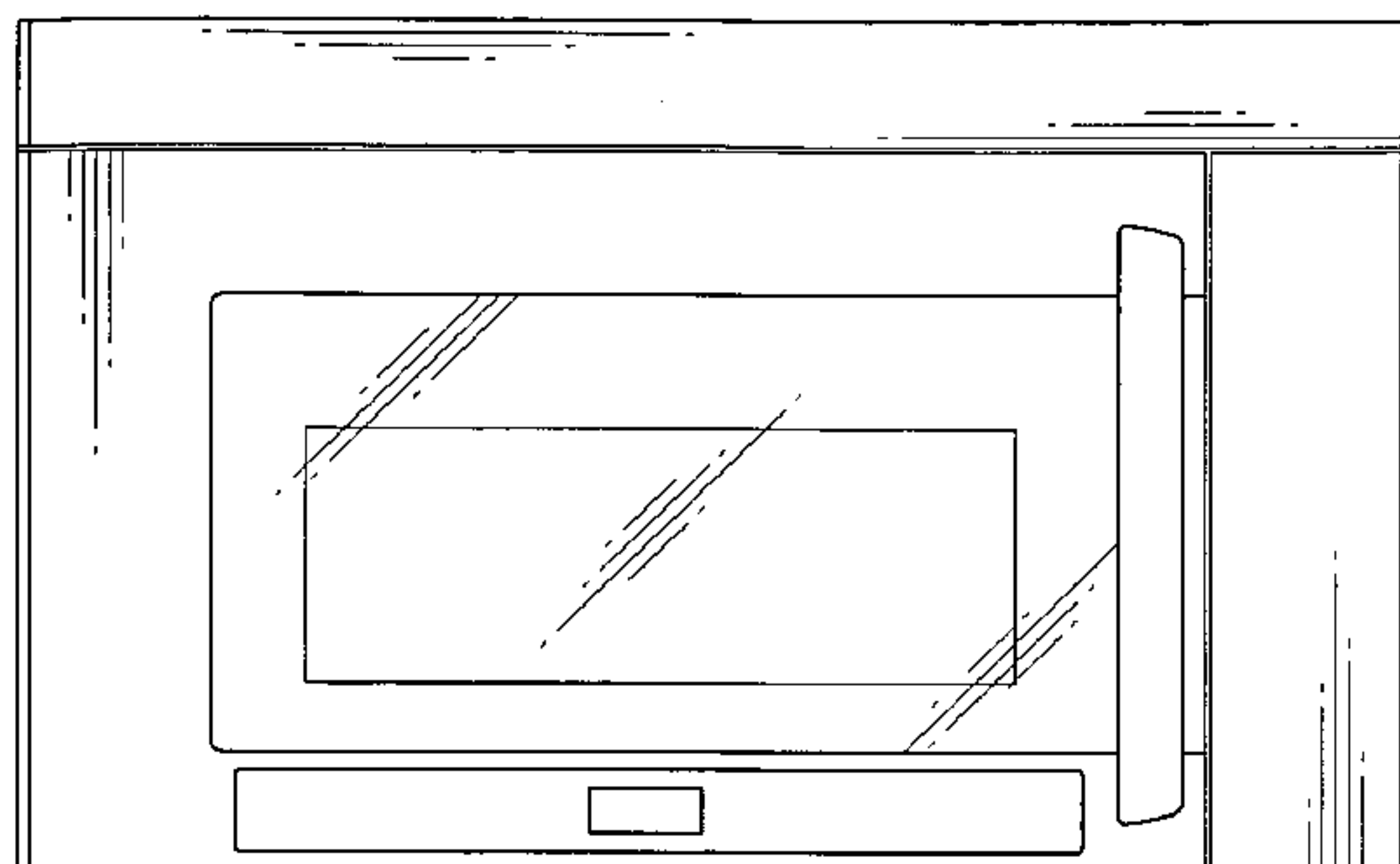
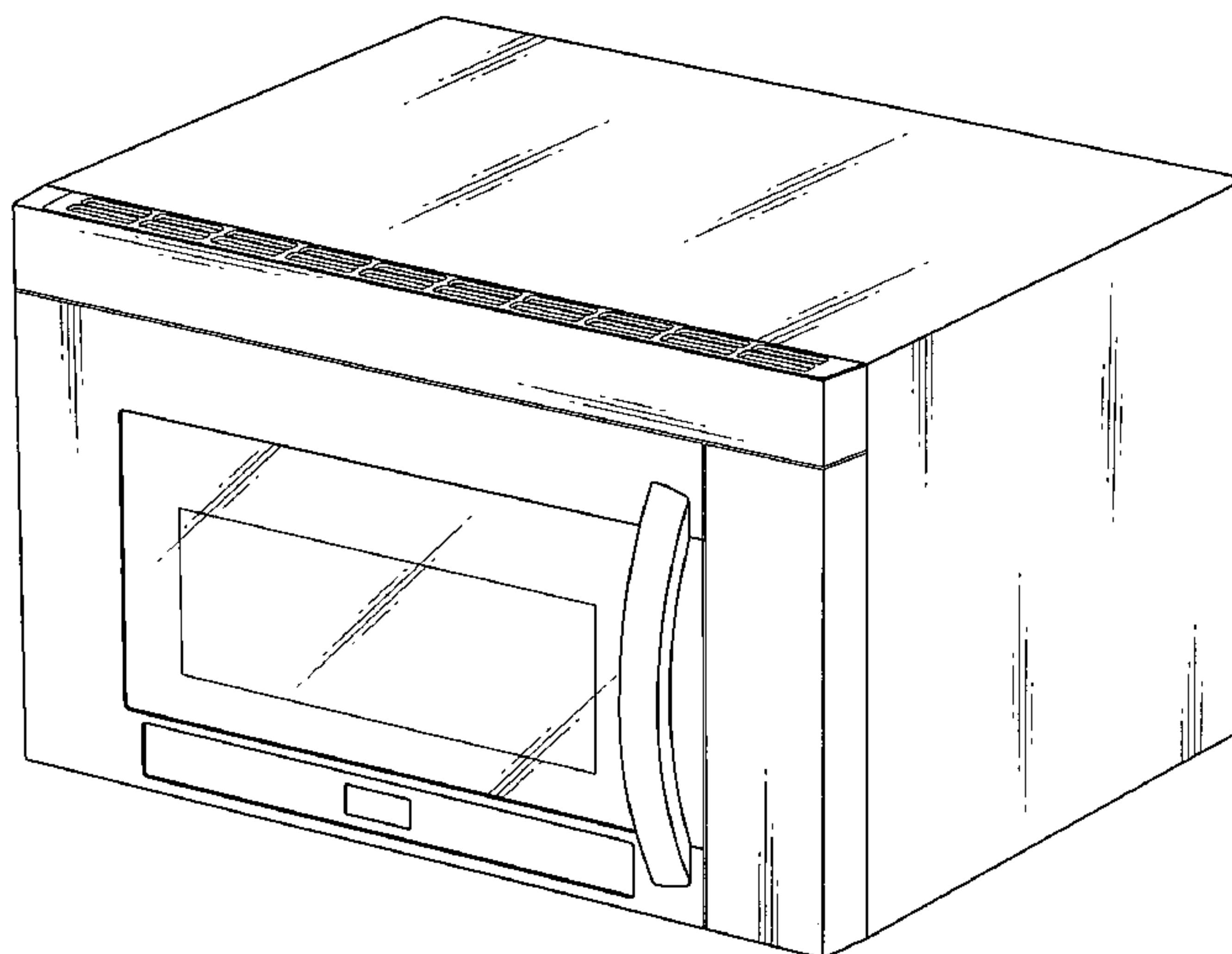
FIG. 4 is a left-side elevation view thereof;

FIG. 5 is a right-side elevation view thereof;

FIG. 6 is a top plan view thereof; and,

FIG. 7 is a bottom plan view thereof.

1 Claim, 4 Drawing Sheets



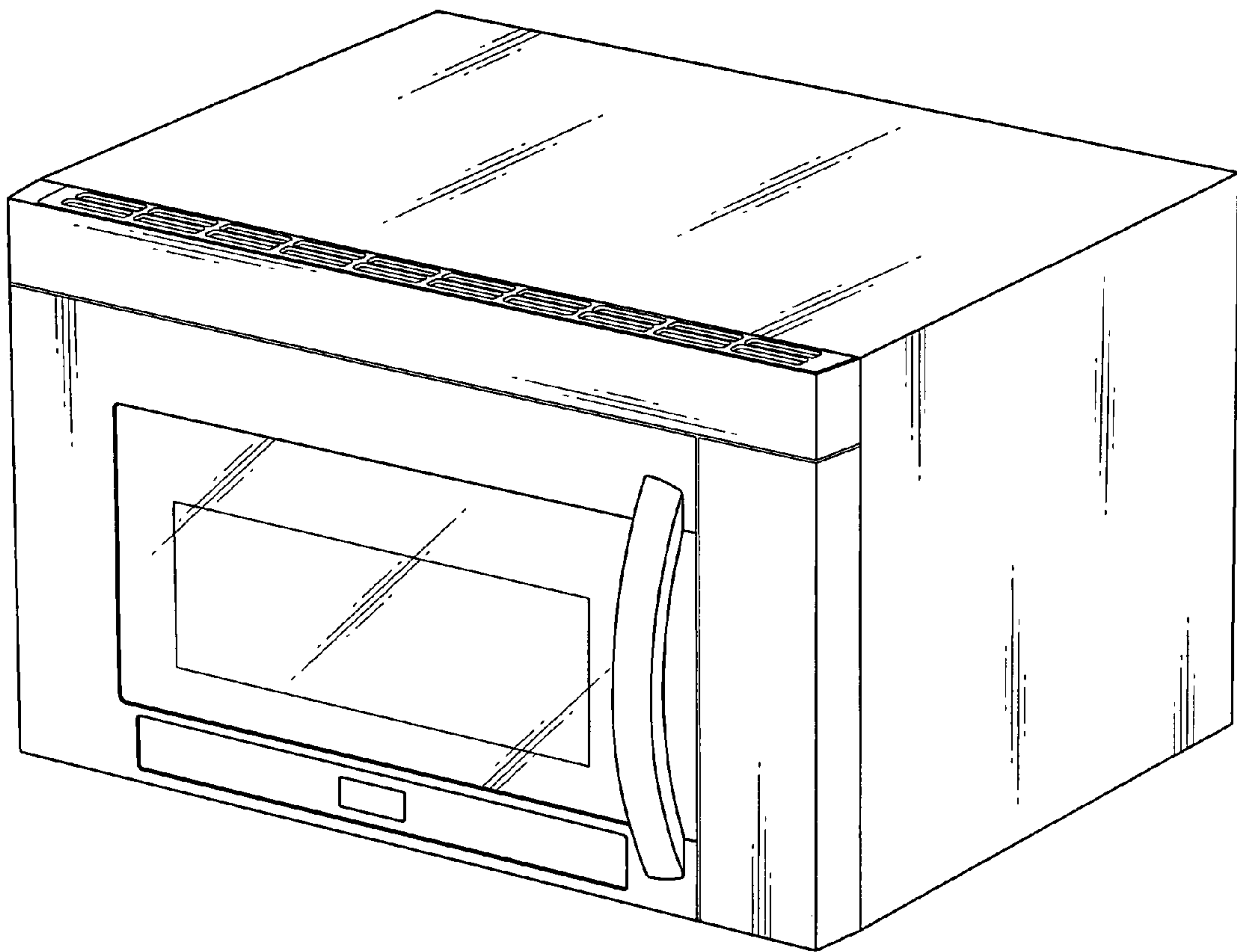


FIG. 1

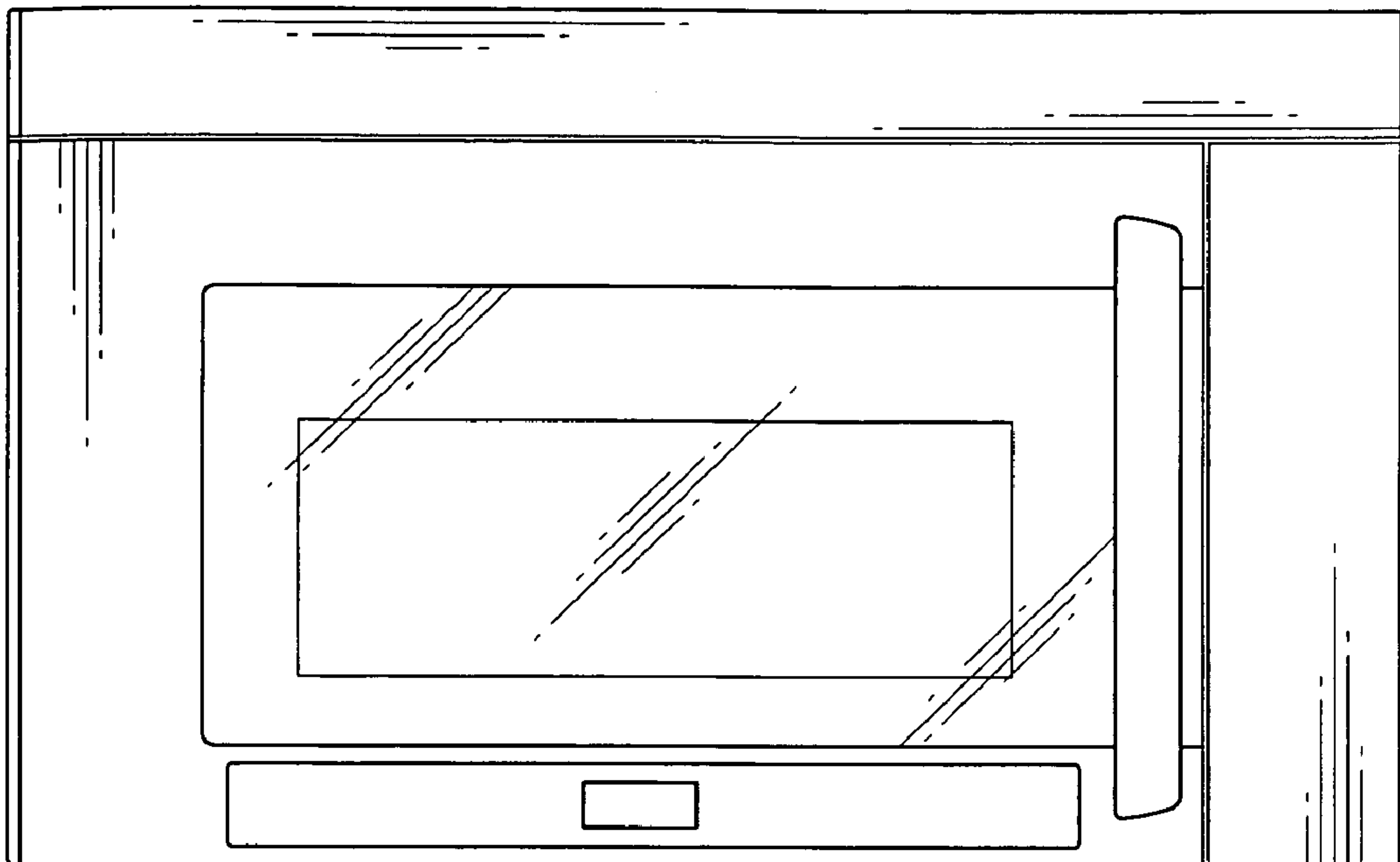


FIG. 2

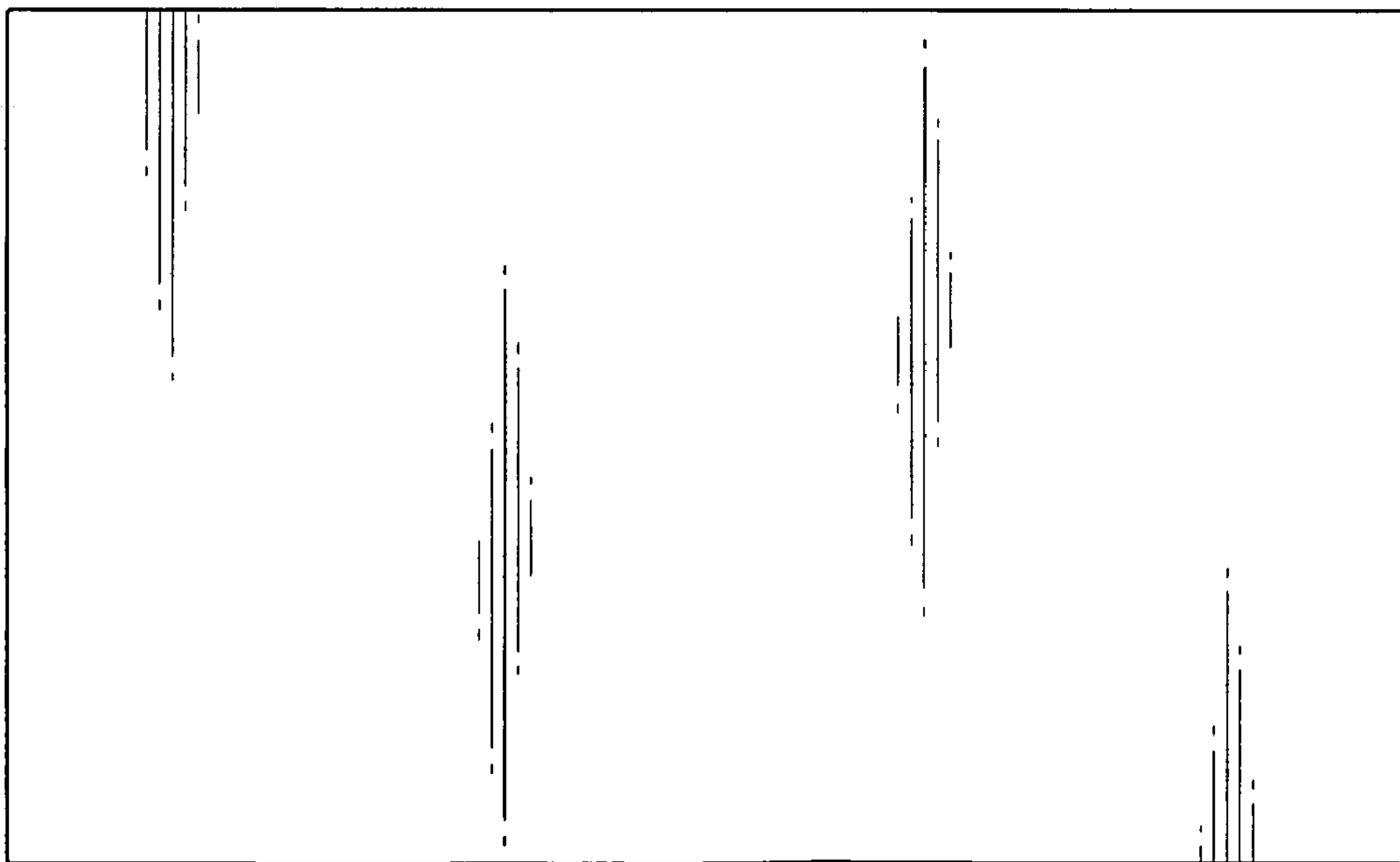


FIG. 3

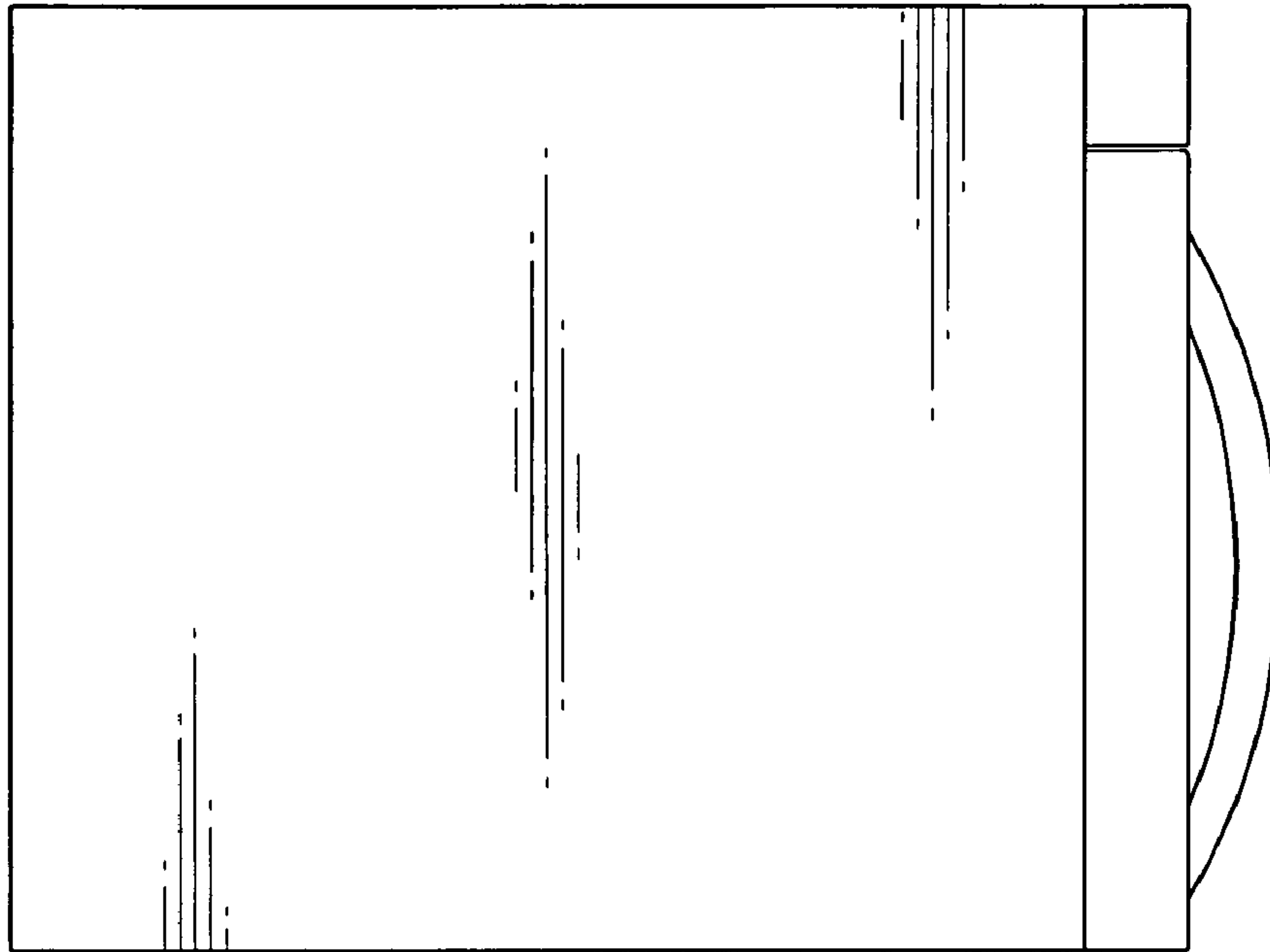


FIG. 4

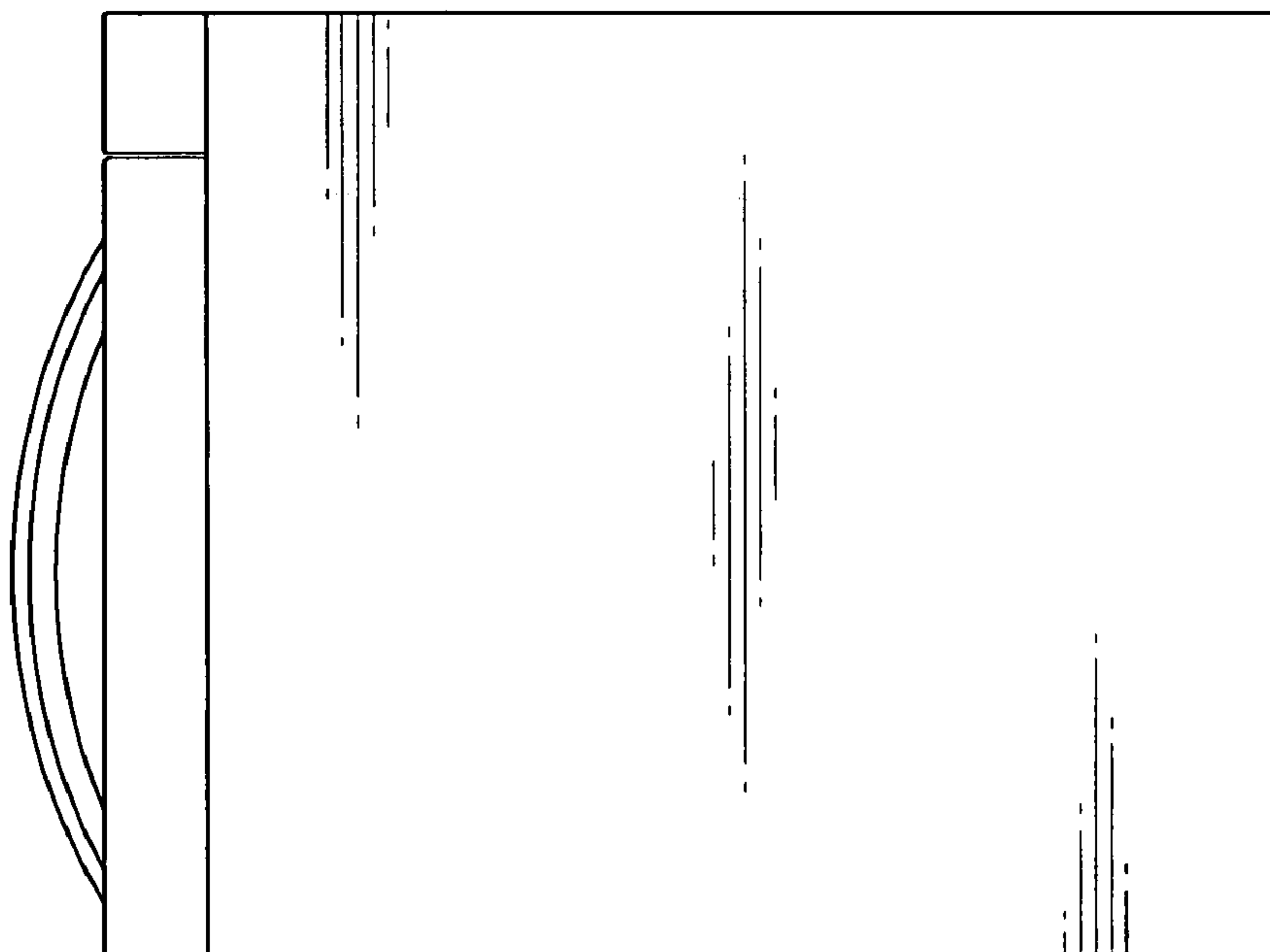


FIG. 5

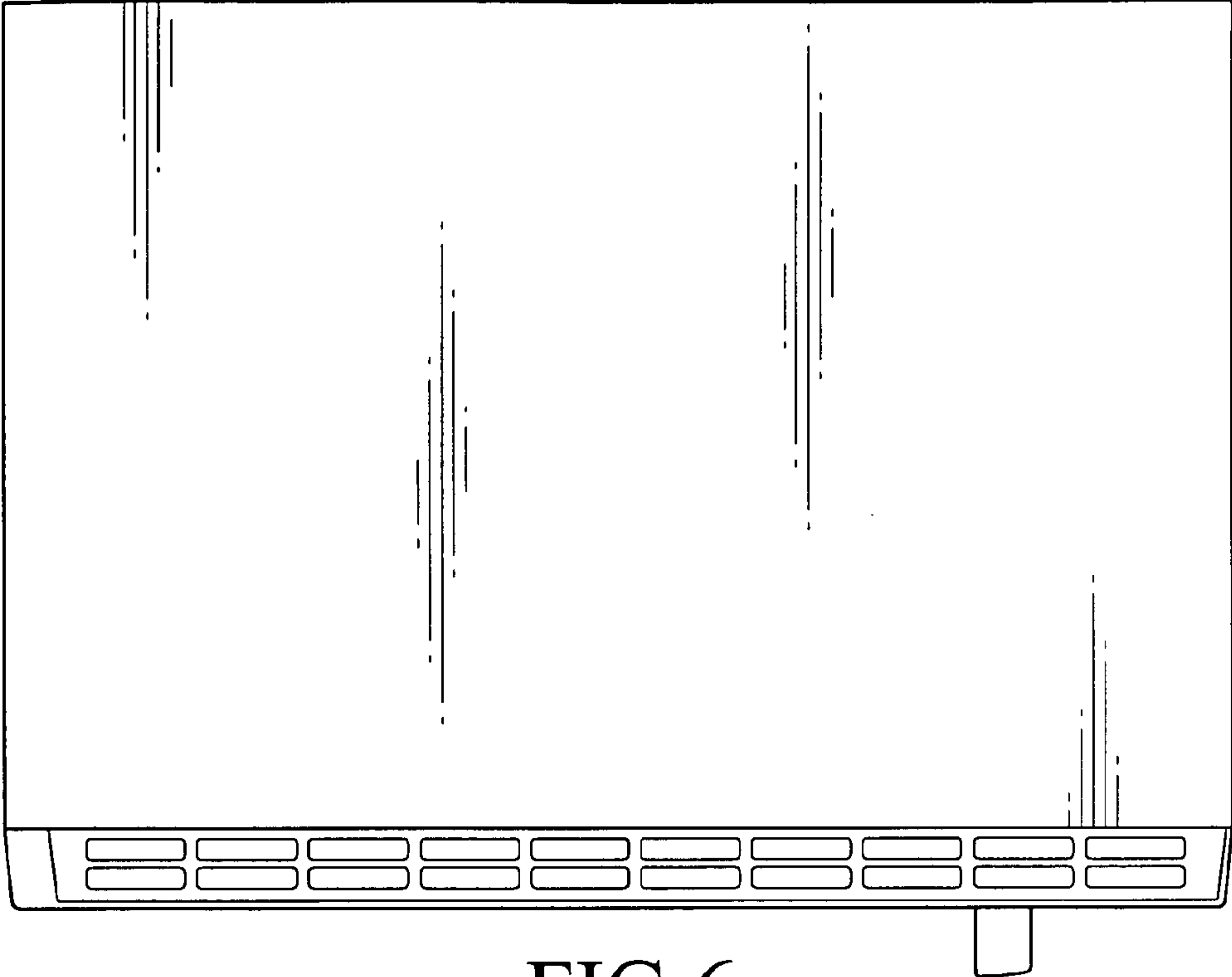


FIG. 6

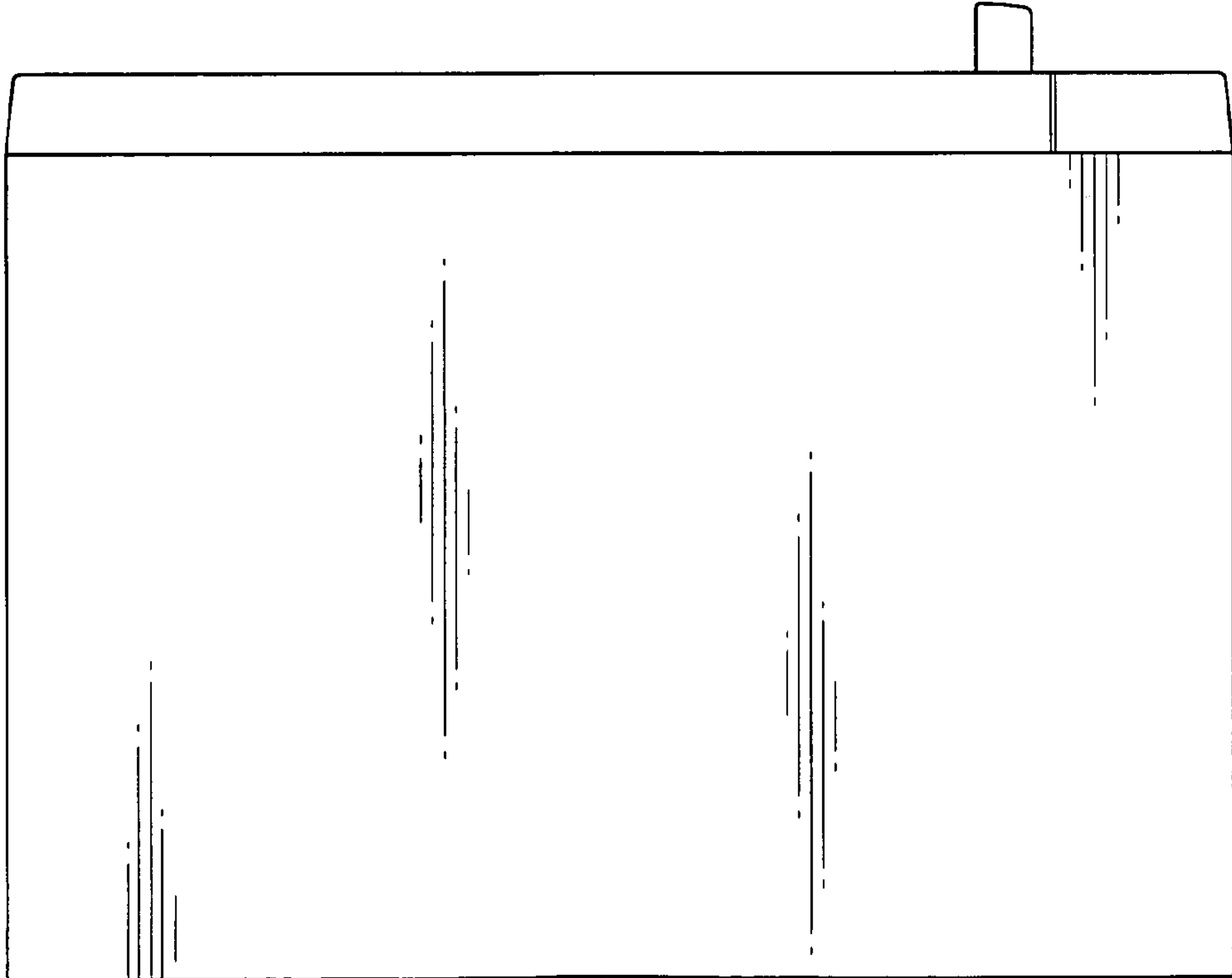


FIG. 7