



US00D585694S

(12) **United States Design Patent**
Ranzoni

(10) **Patent No.:** **US D585,694 S**
(45) **Date of Patent:** **** Feb. 3, 2009**

(54) **COFFEE MAKER**
(75) Inventor: **Francesco Ranzoni**, Brescia (IT)
(73) Assignee: **Bialetti Industrie S.p.A.**, Coccaglio,
(Brescia) (IT)
(**) Term: **14 Years**
(21) Appl. No.: **29/274,509**
(22) Filed: **Apr. 27, 2007**

(30) **Foreign Application Priority Data**
Nov. 23, 2006 (IT) MI2006O000243

(51) **LOC (9) Cl.** **07-01**
(52) **U.S. Cl.** **D7/317; D7/318; D9/629**
(58) **Field of Classification Search** **D7/300,**
D7/316-319; 99/DIG. 14, 306, 285, 287,
99/297, 299, 279; 426/431; 222/475.1, 507,
222/469; D9/629
See application file for complete search history.

(56) **References Cited**
U.S. PATENT DOCUMENTS
D73,190 S * 8/1927 Mezitis D9/629
D229,917 S * 1/1974 Swett D10/46.3
D231,685 S * 5/1974 Beckman D7/317
D232,411 S * 8/1974 Douglas et al. D7/317
4,557,187 A * 12/1985 DePonti 99/279

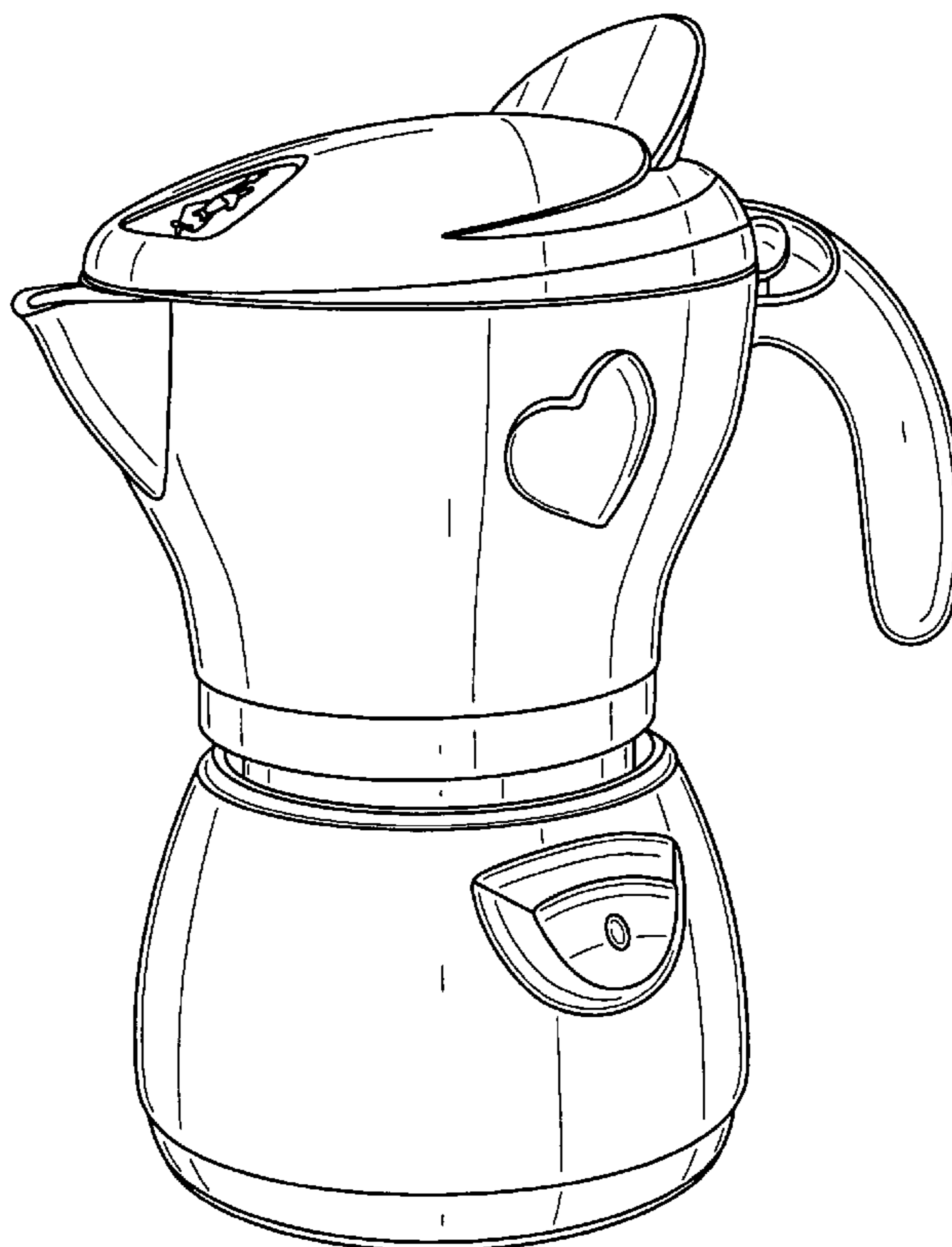
D384,567 S * 10/1997 Chang D8/107
D399,384 S * 10/1998 Ranzoni D7/318
D482,925 S * 12/2003 Yuen D7/318
D484,356 S * 12/2003 Bodum D7/318
D539,070 S * 3/2007 Giannone D7/318
D539,589 S * 4/2007 Giannone D7/302
D540,609 S * 4/2007 Ranzoni D7/318
D552,695 S * 10/2007 Mayers D21/629
7,357,070 B2 * 4/2008 Chan 99/285
D568,170 S * 5/2008 Prini D9/629

* cited by examiner
Primary Examiner—Marianne Pandozzi
(74) *Attorney, Agent, or Firm*—Hogan & Hartson LLP

(57) **CLAIM**
The ornamental design of a coffee maker, as shown and described.

DESCRIPTION
FIG. 1 is a perspective view of the coffee maker;
FIG. 2 is a left side view of the coffee maker;
FIG. 3 is a right side view of the coffee maker;
FIG. 4 is a front view of the coffee maker;
FIG. 5 is a back view of the coffee maker;
FIG. 6 is a top view of the coffee maker; and,
FIG. 7 is a bottom view of the coffee maker.

1 Claim, 6 Drawing Sheets



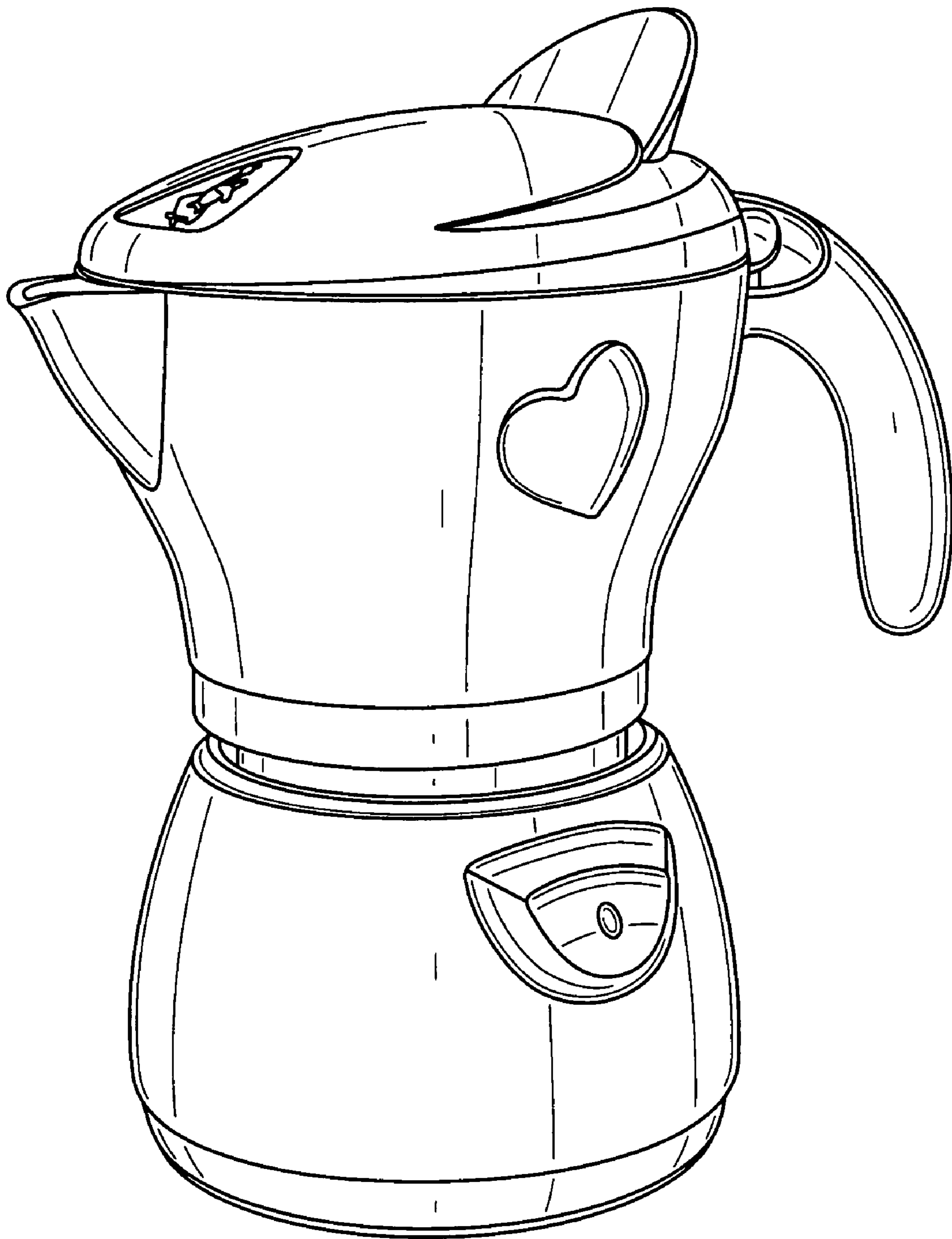


FIG. 1



FIG. 2

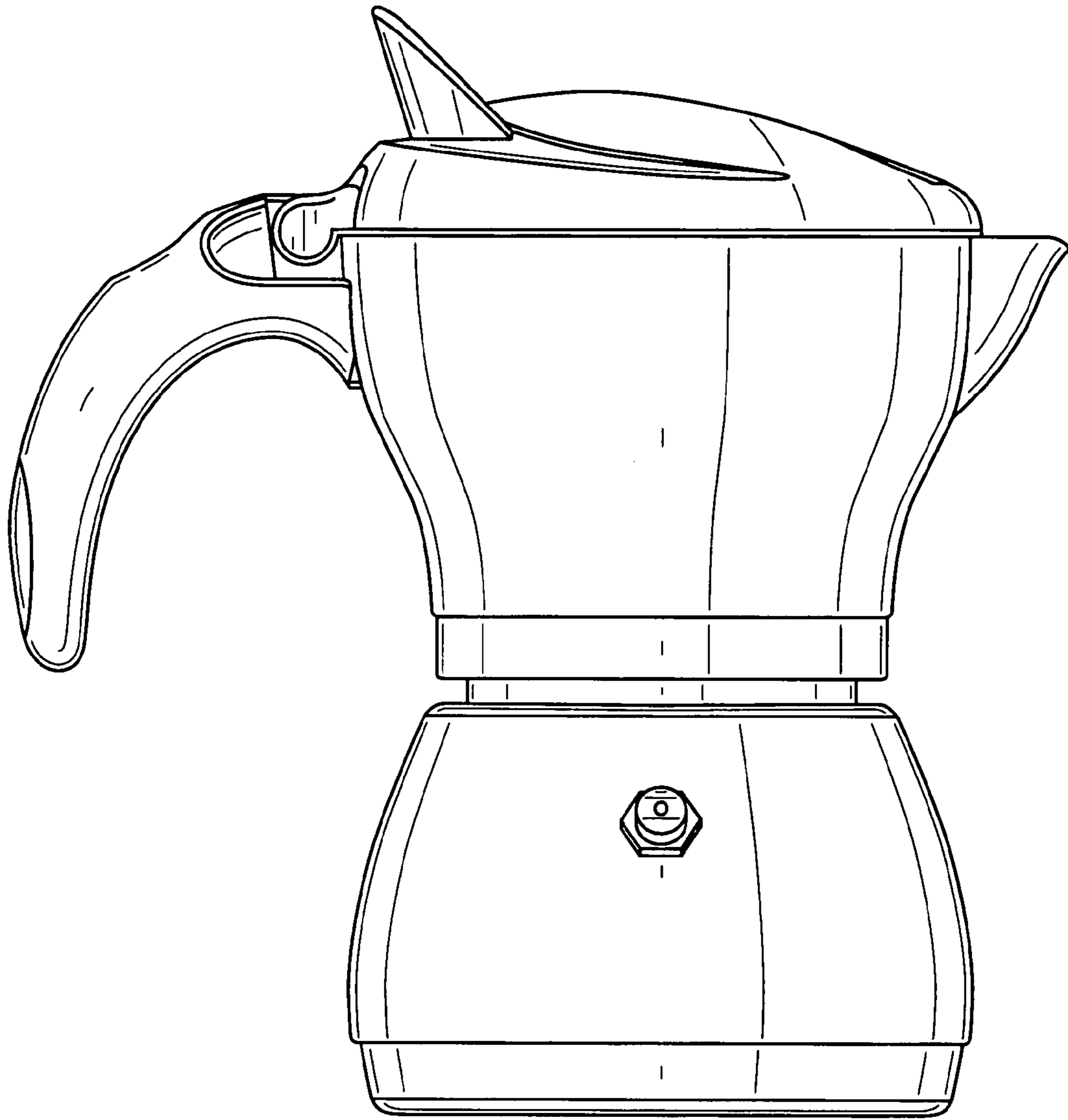


FIG. 3

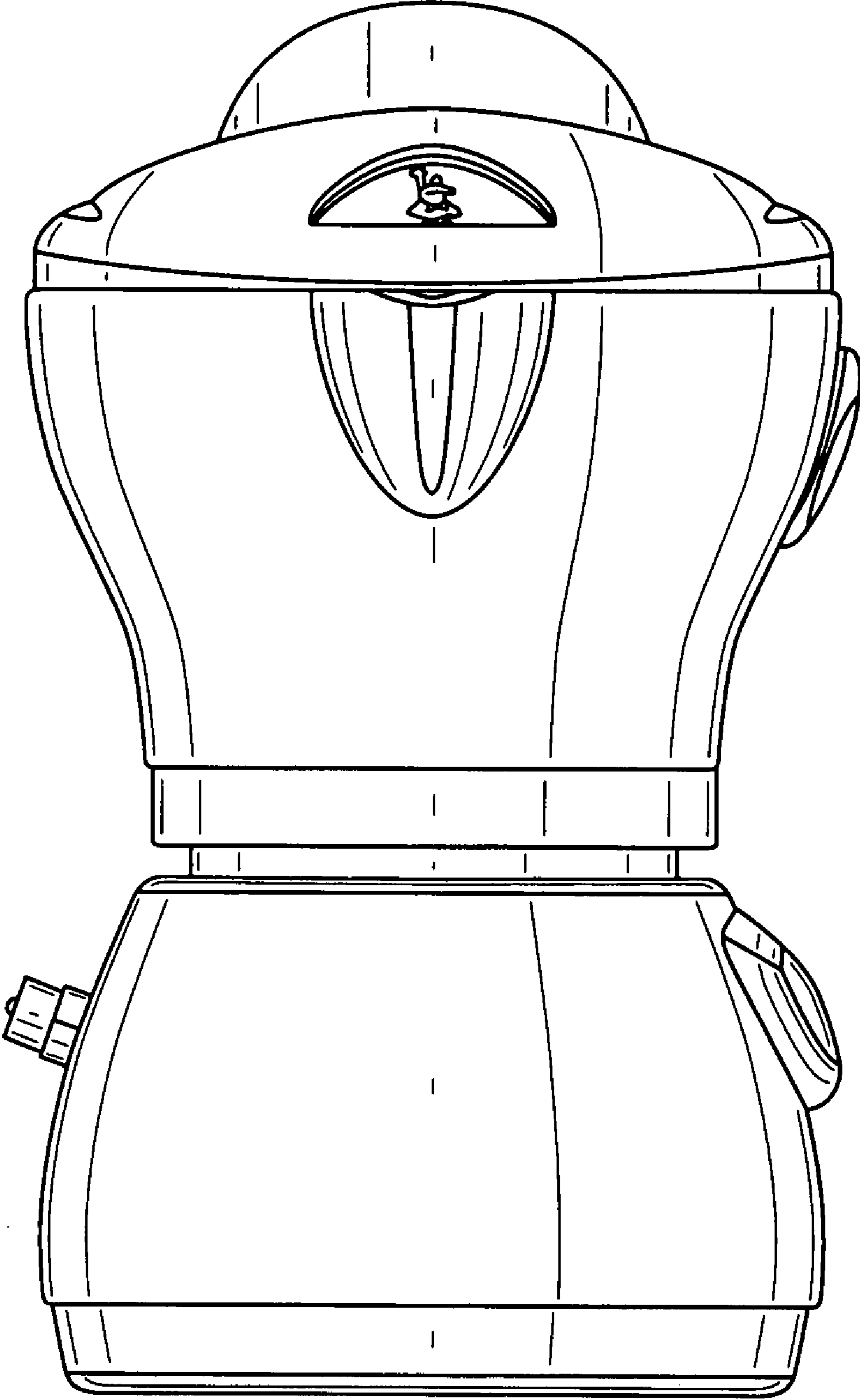


FIG. 4

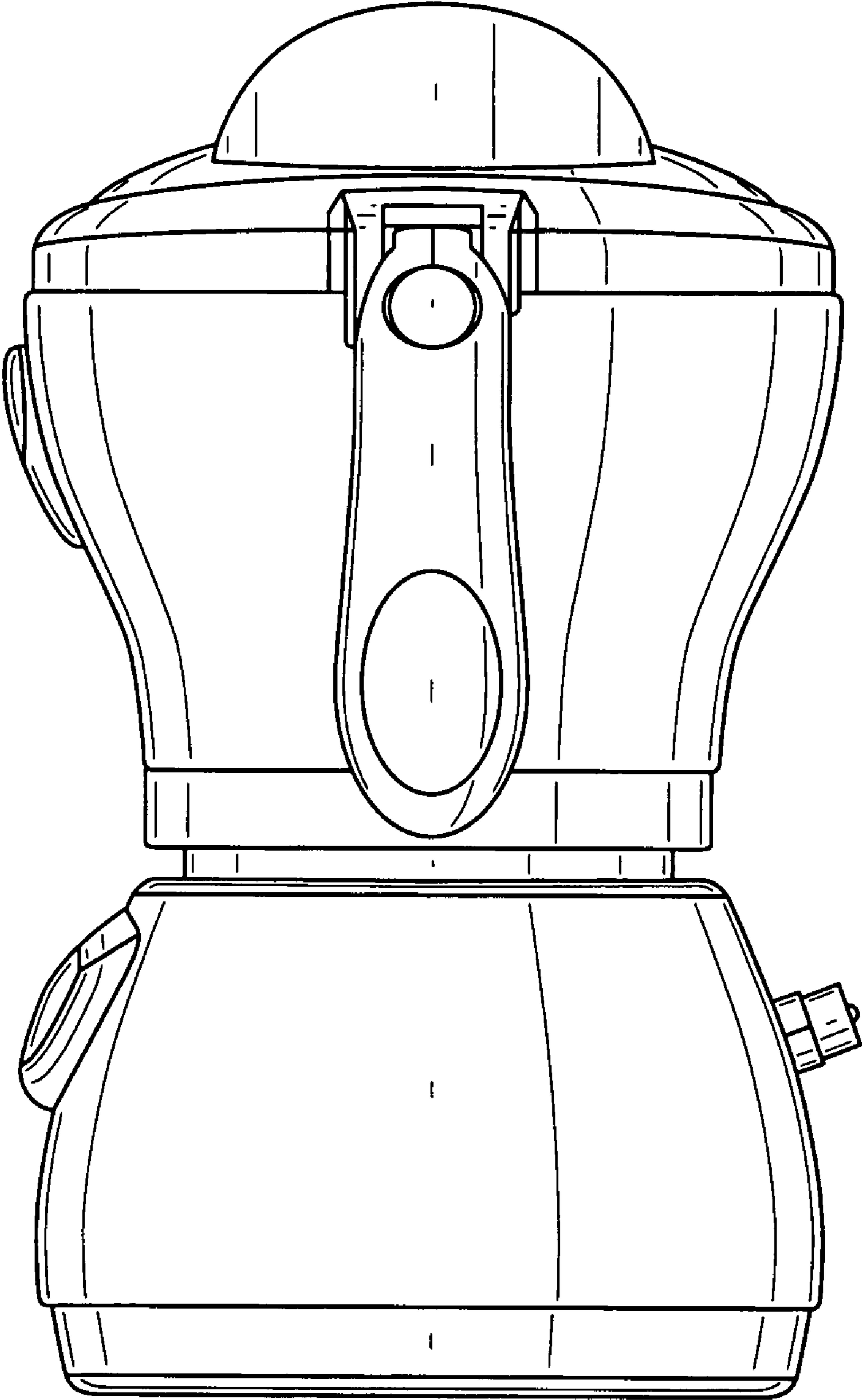


FIG. 5

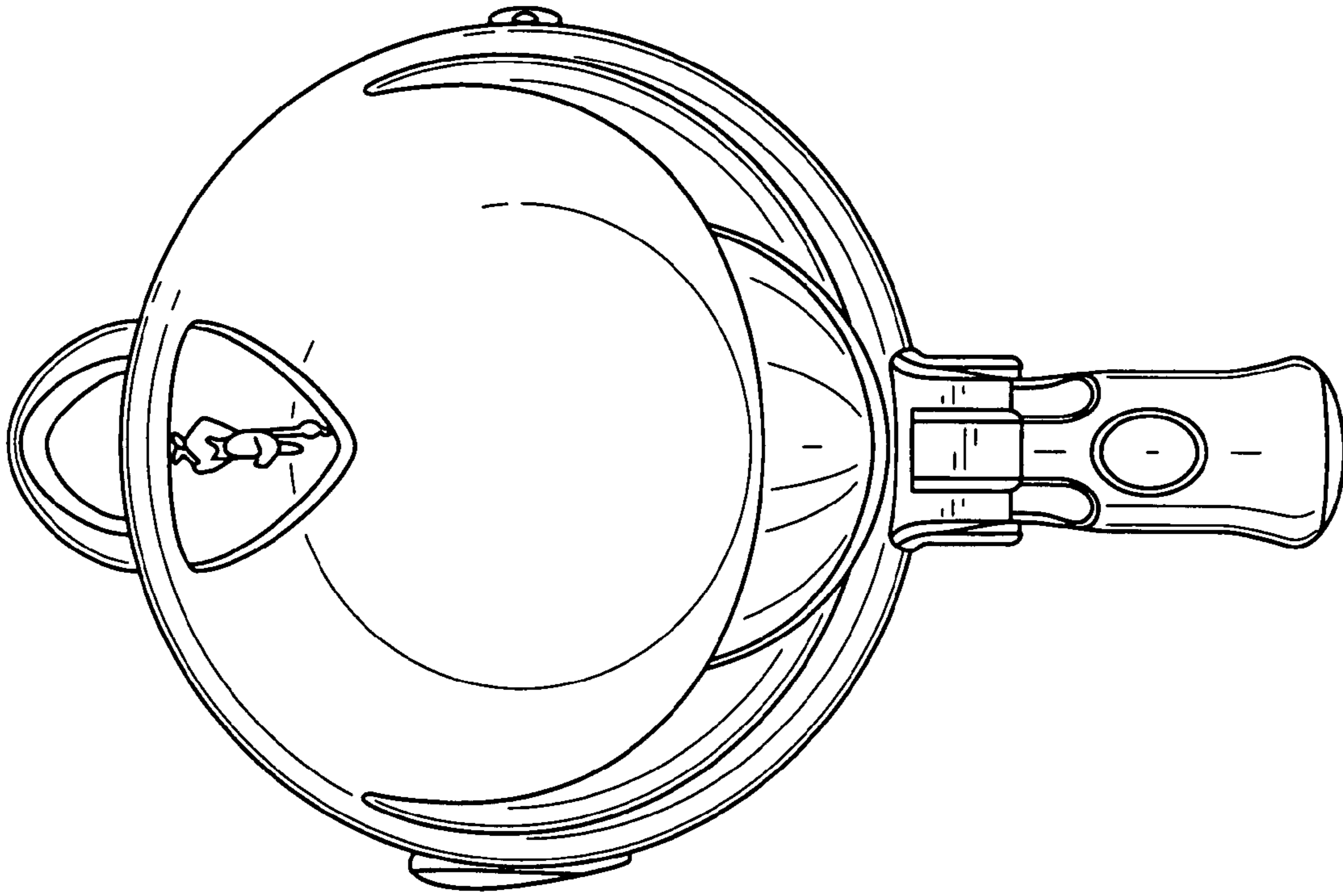


FIG. 6

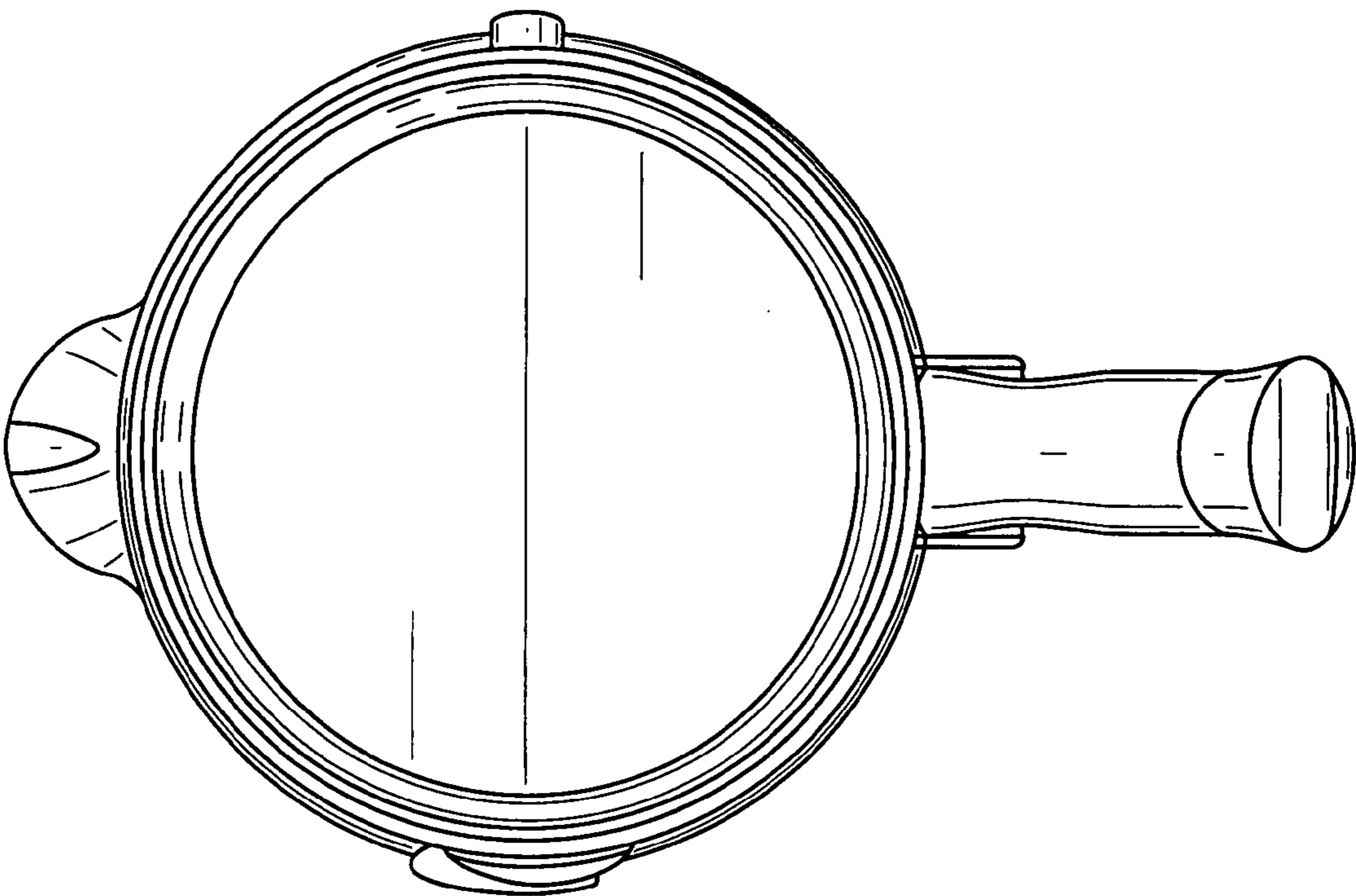


FIG. 7