



US00D585693S

(12) **United States Design Patent**
Wright

(10) **Patent No.:** **US D585,693 S**

(45) **Date of Patent:** **** Feb. 3, 2009**

(54) **TEA MAKER**

(75) Inventor: **Matthew Wright**, Newmarket (GB)

(73) Assignee: **Meyer Intellectual Properties Limited**
(VG)

(**) Term: **14 Years**

(21) Appl. No.: **29/304,920**

(22) Filed: **Mar. 10, 2008**

(51) **LOC (9) Cl.** **07-01**

(52) **U.S. Cl.** **D7/309; D7/311**

(58) **Field of Classification Search** D7/300,
D7/312, 309-311, 306, 313; 222/146.1,
222/146.6; 99/295

See application file for complete search history.

(56) **References Cited**

U.S. PATENT DOCUMENTS

D133,314 S *	8/1942	Finzie	D7/354
D234,285 S *	2/1975	Wickenberg	D7/309
D289,726 S *	5/1987	Greutert	D7/400
D324,149 S *	2/1992	Beeren	D7/309
D354,878 S *	1/1995	Lin	D7/309
D385,747 S *	11/1997	Inoue	D7/311
D435,994 S *	1/2001	Gaffney	D7/306

D464,226 S *	10/2002	Lassota et al.	D7/306
D518,328 S *	4/2006	Picozza et al.	D7/309
D563,142 S *	3/2008	Kauer	D7/306

* cited by examiner

Primary Examiner—Marianne Pandozzi

(74) *Attorney, Agent, or Firm*—Edward S. Sherman

(57) **CLAIM**

The ornamental design for a tea maker, as shown and described.

DESCRIPTION

FIG. 1 is a first perspective view of a back and left side portion of the “tea maker”, showing my new design;

FIG. 2 is a second perspective view of the front and rights side portion thereof;

FIG. 3 is a left elevation view thereof;

FIG. 4 is a front elevation view thereof;

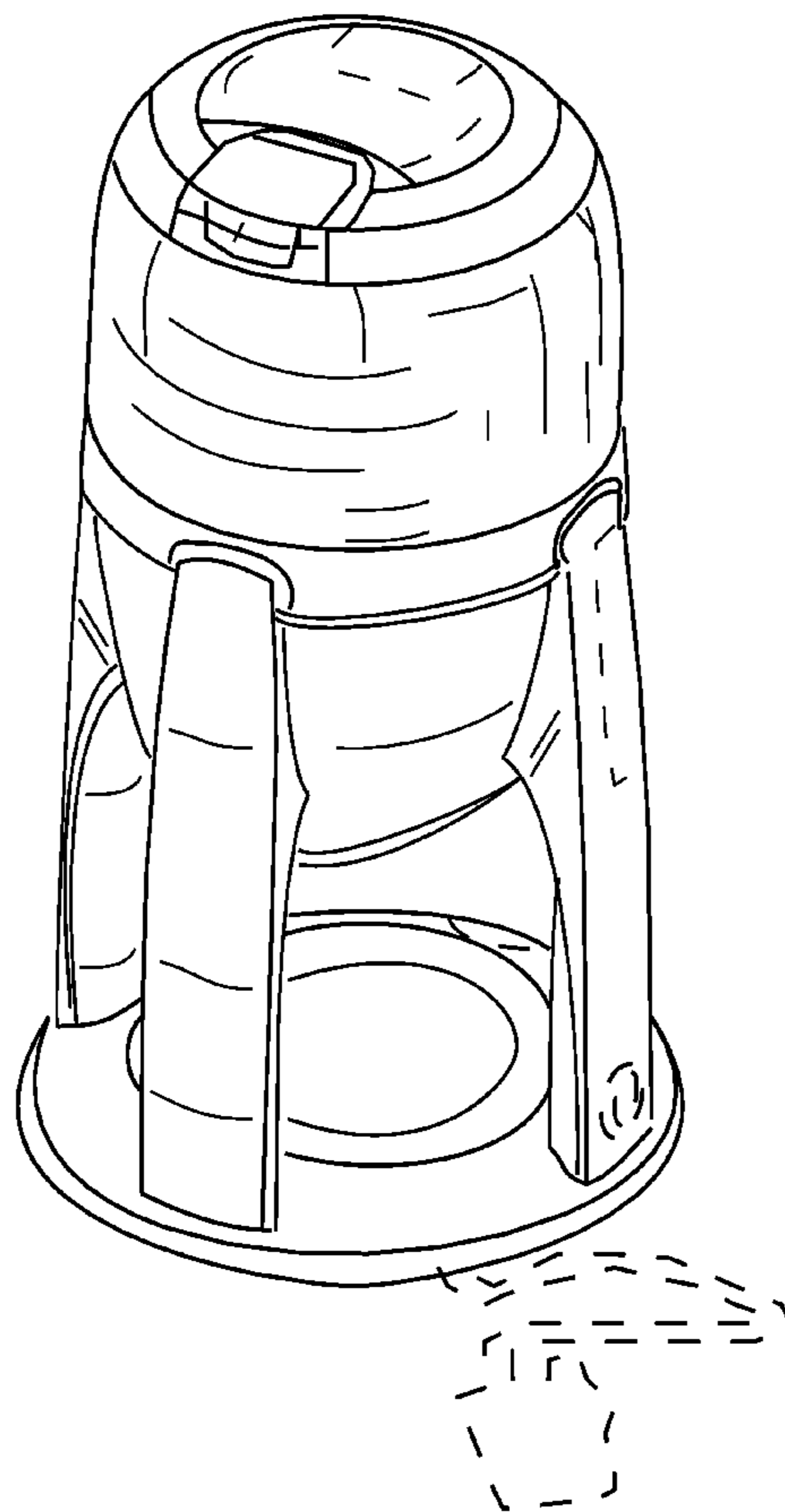
FIG. 5 is a right side elevation view thereof;

FIG. 6 is a back elevation view thereof; and,

FIG. 7 is a top plan view thereof.

The broken lines in the drawings are included for the purpose of illustration and form no part of the claimed design.

1 Claim, 7 Drawing Sheets



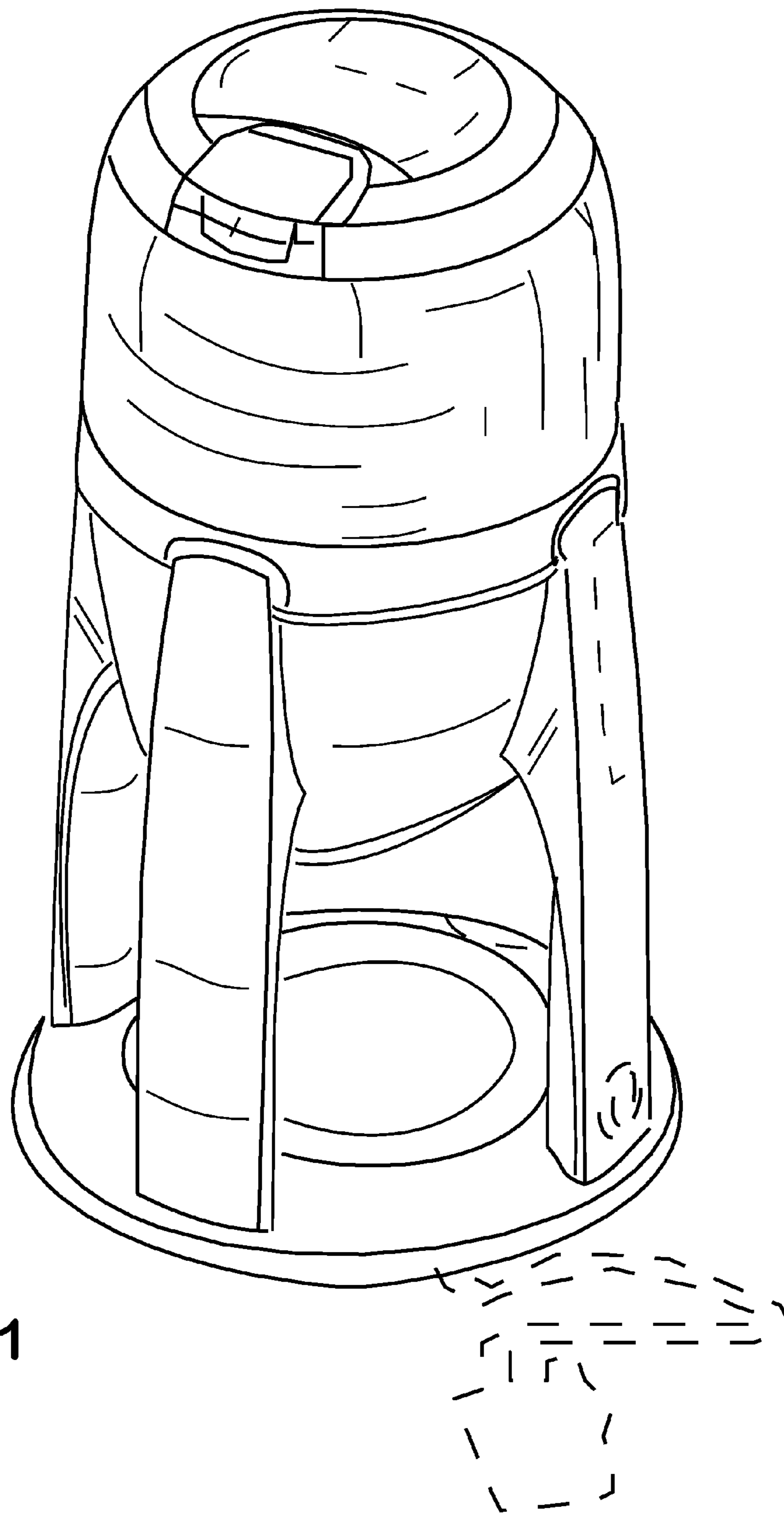


FIG. 1

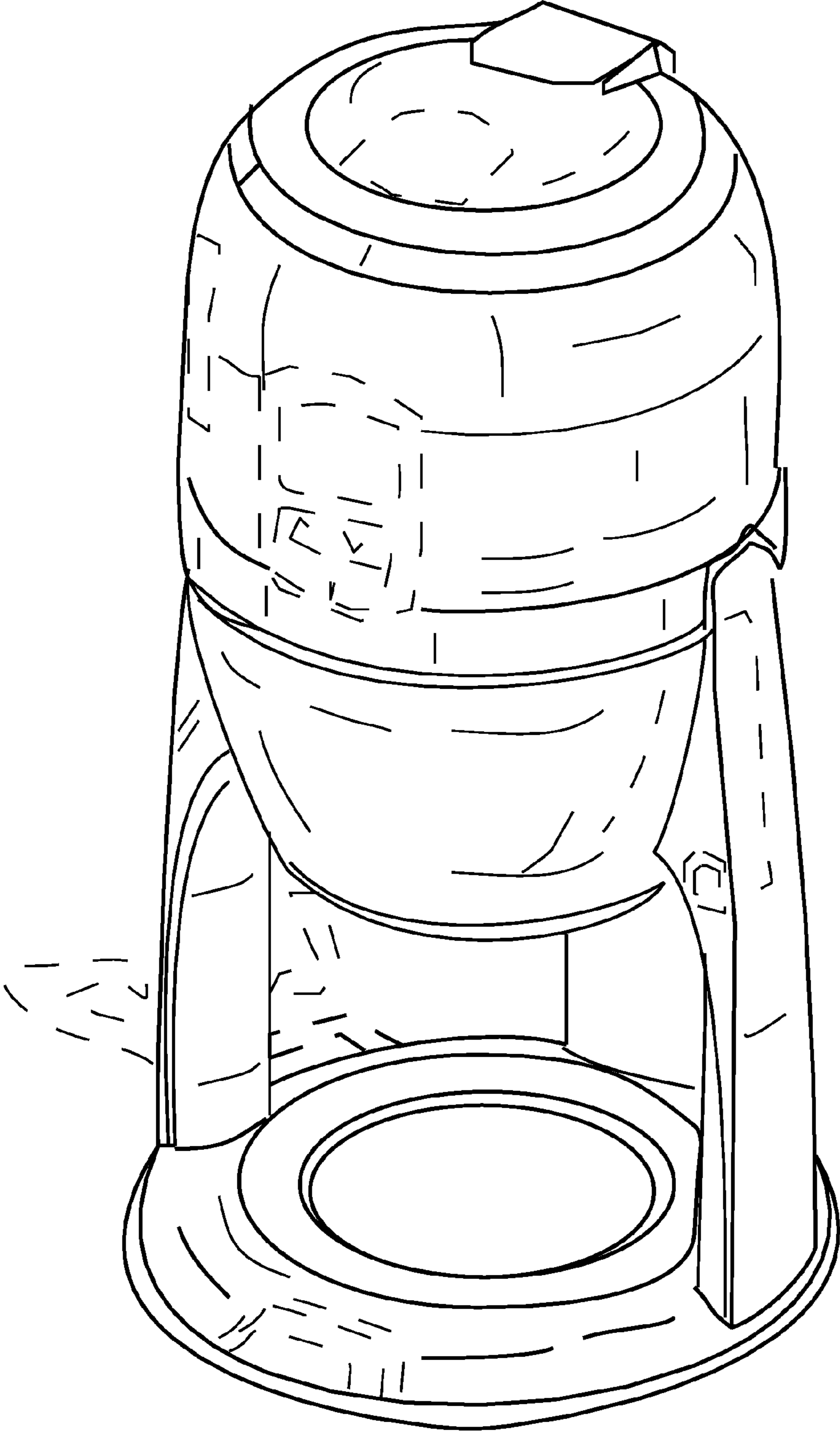


FIG. 2

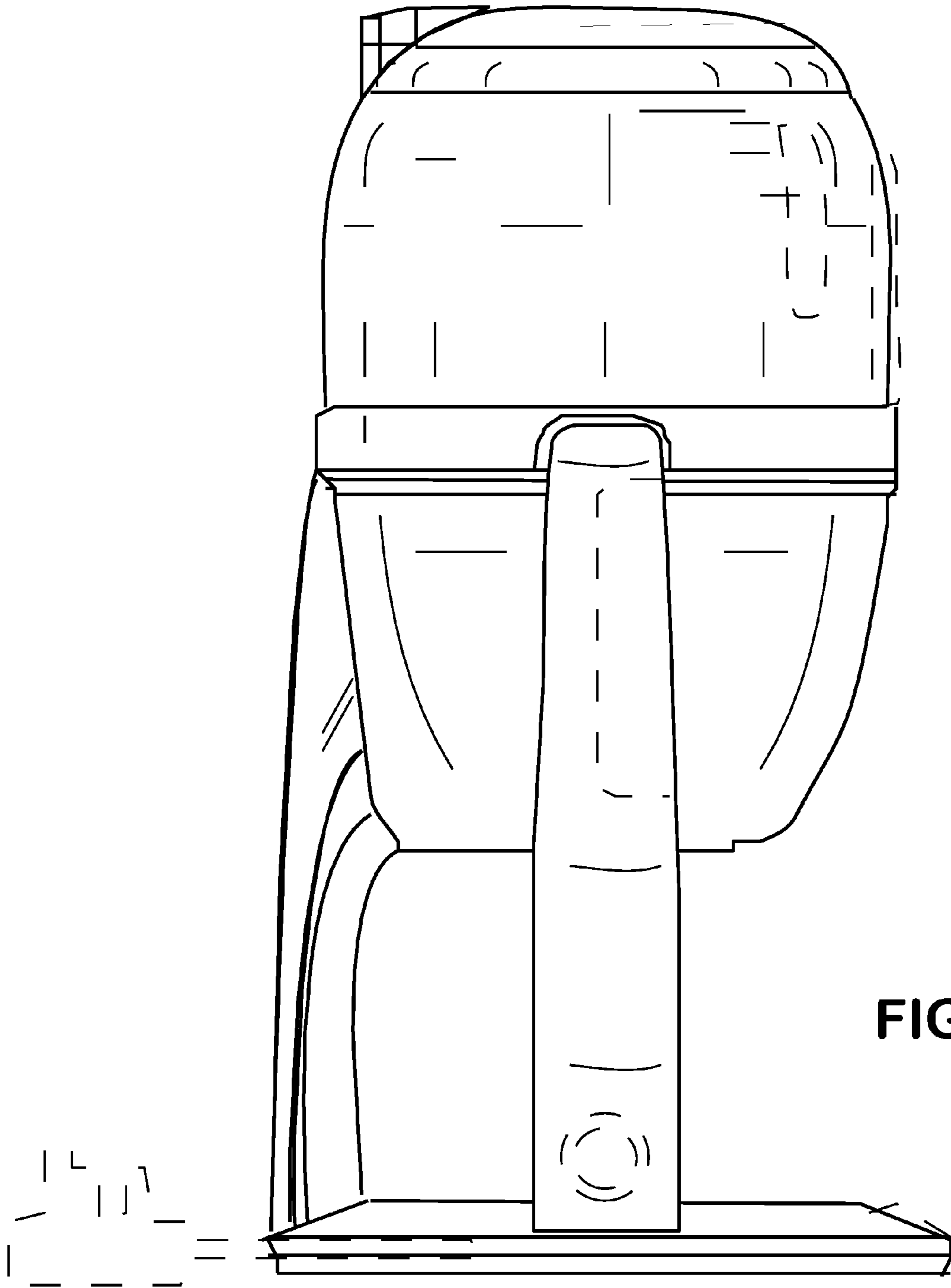


FIG. 3

FIG. 4

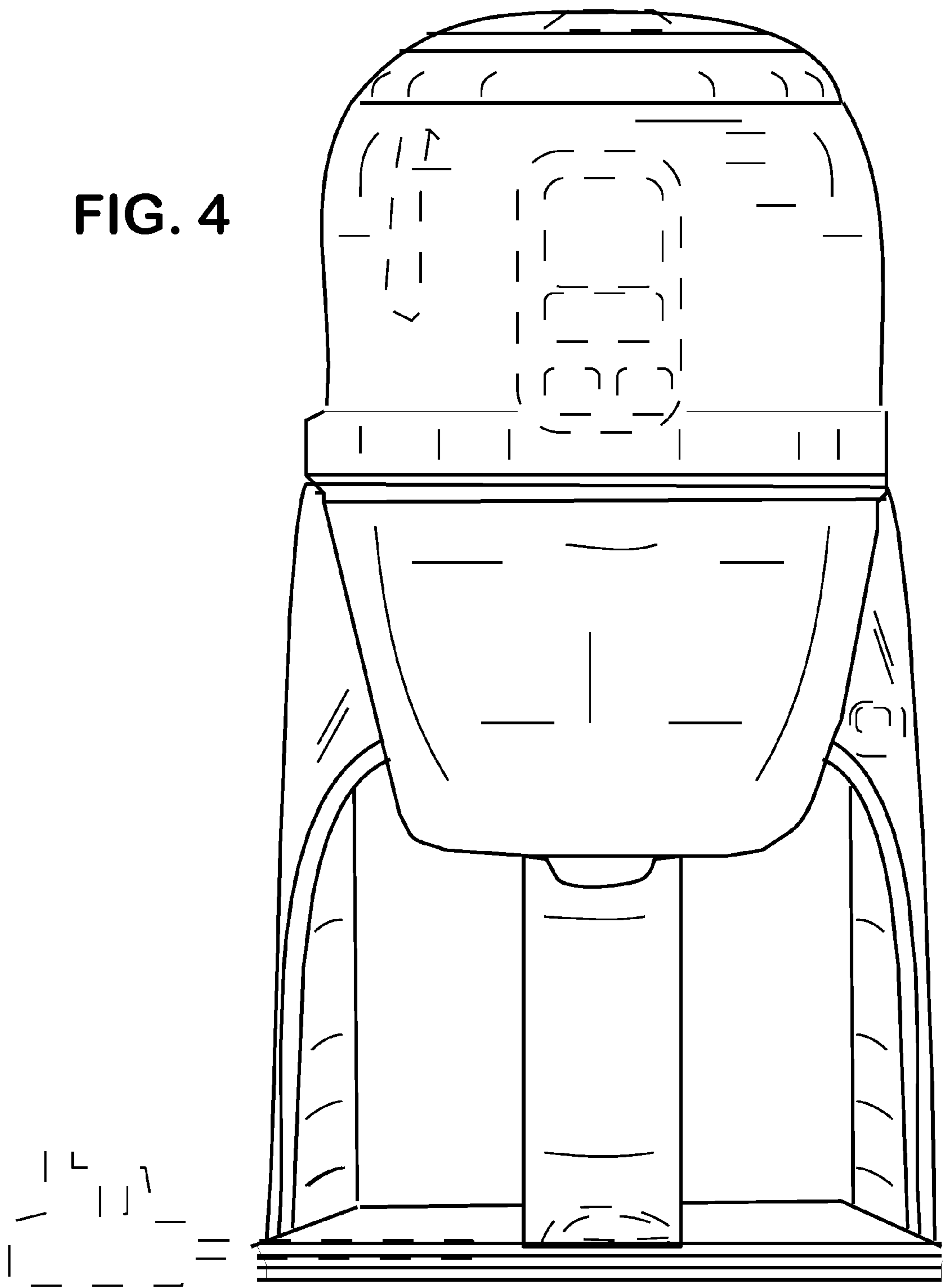
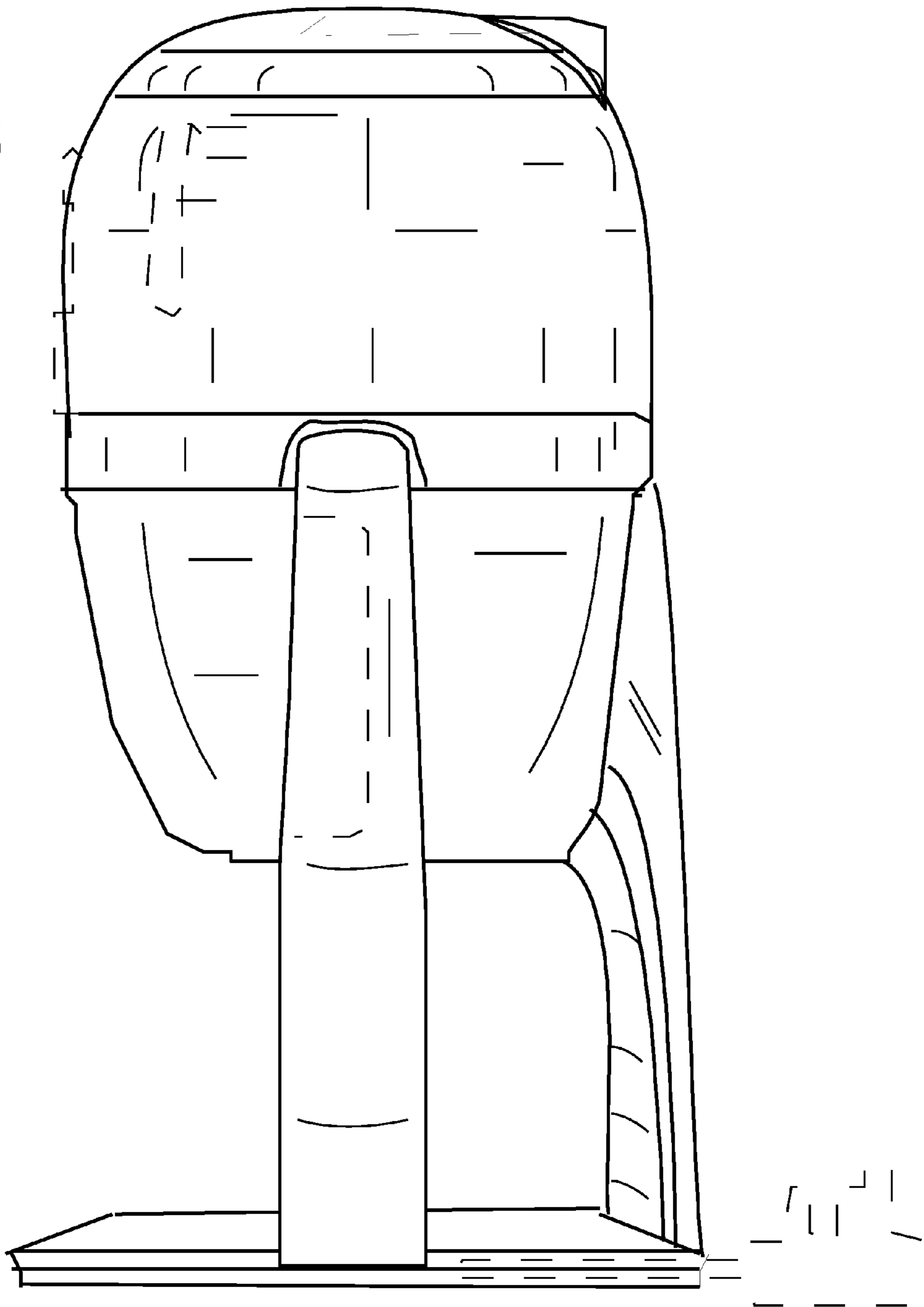


FIG. 5



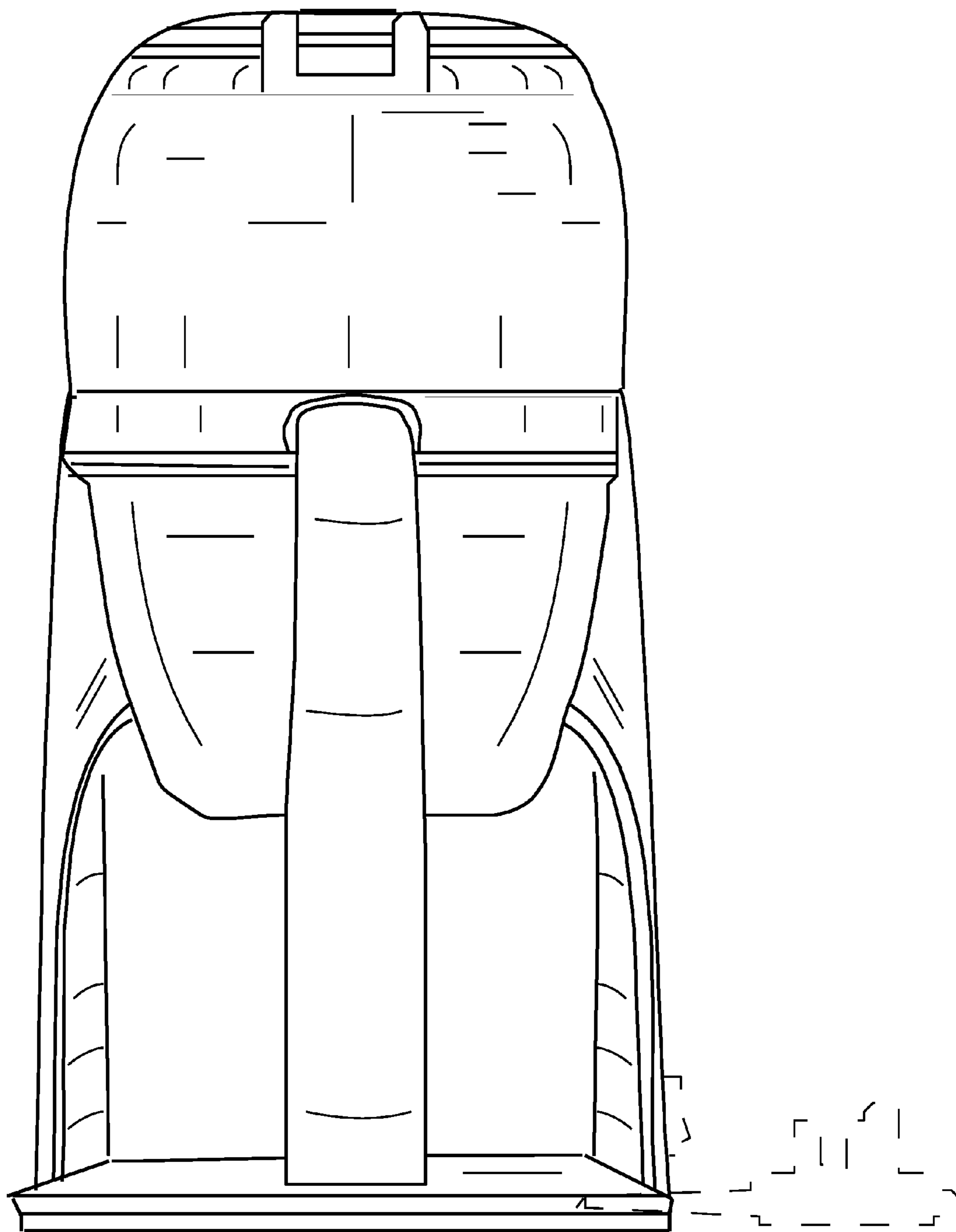


FIG. 6

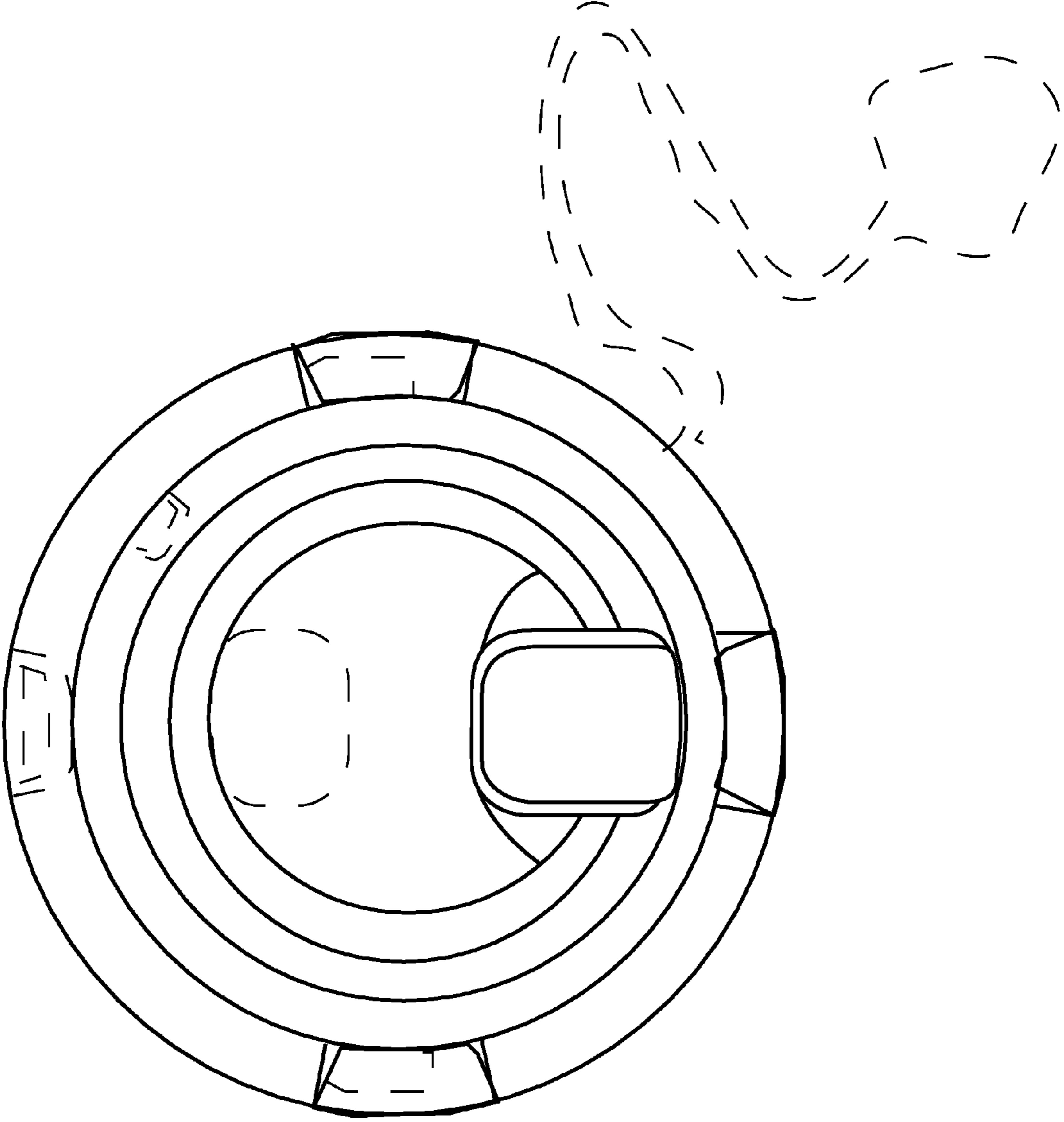


FIG. 7