



US00D585692S

(12) **United States Design Patent**
Borin

(10) **Patent No.:** **US D585,692 S**
(45) **Date of Patent:** **** Feb. 3, 2009**

(54) **COFFEE MACHINE**

D522,793 S * 6/2006 Weaden D7/309
D557,058 S * 12/2007 Lebot et al. D7/309
D565,886 S * 4/2008 Bardazzi et al. D7/309

(75) Inventor: **Giacomo Borin**, Pordenone (IT)

* cited by examiner

(73) Assignee: **De'longhi S.p.A.**, Treviso (IT)

Primary Examiner—Marianne Pandozzi
(74) *Attorney, Agent, or Firm*—Hamre, Schumann, Mueller & Larson, P.C.

(**) Term: **14 Years**

(21) Appl. No.: **29/292,694**

(22) Filed: **Oct. 24, 2007**

(57) **CLAIM**

(30) **Foreign Application Priority Data**

The ornamental design for a coffee machine, as shown and described.

Apr. 26, 2007 (EM) 000713516

DESCRIPTION

(51) **LOC (9) Cl.** **07-01**

FIG. 1 is a perspective view of a coffee machine in accordance with my invention thereof;

(52) **U.S. Cl.** **D7/309; D7/311**

FIG. 2 is a second perspective view thereof;

(58) **Field of Classification Search** D7/309–311,
D7/306–308, 300, 397–399; 99/280, 286,
99/305, 306, 295, 279, 299, 285; D20/1,
D20/4, 5; 222/108, 1, 152, 190, 399, 95,
222/129, 146.1; D15/79

FIG. 3 is a front view thereof;

FIG. 4 is a left side view thereof;

FIG. 5 is a right side view thereof;

FIG. 6 is a back view thereof;

FIG. 7 is a top view thereof; and,

FIG. 8 is a bottom view thereof.

See application file for complete search history.

The broken lines in FIG. 8 are included for the purpose of illustration and form no part of the claimed design.

(56) **References Cited**

U.S. PATENT DOCUMENTS

D299,998 S * 2/1989 Seiffert D7/309
D342,183 S * 12/1993 Garcia
de Salazar Camara D7/309
D518,327 S * 4/2006 Heieck D7/309

1 Claim, 8 Drawing Sheets

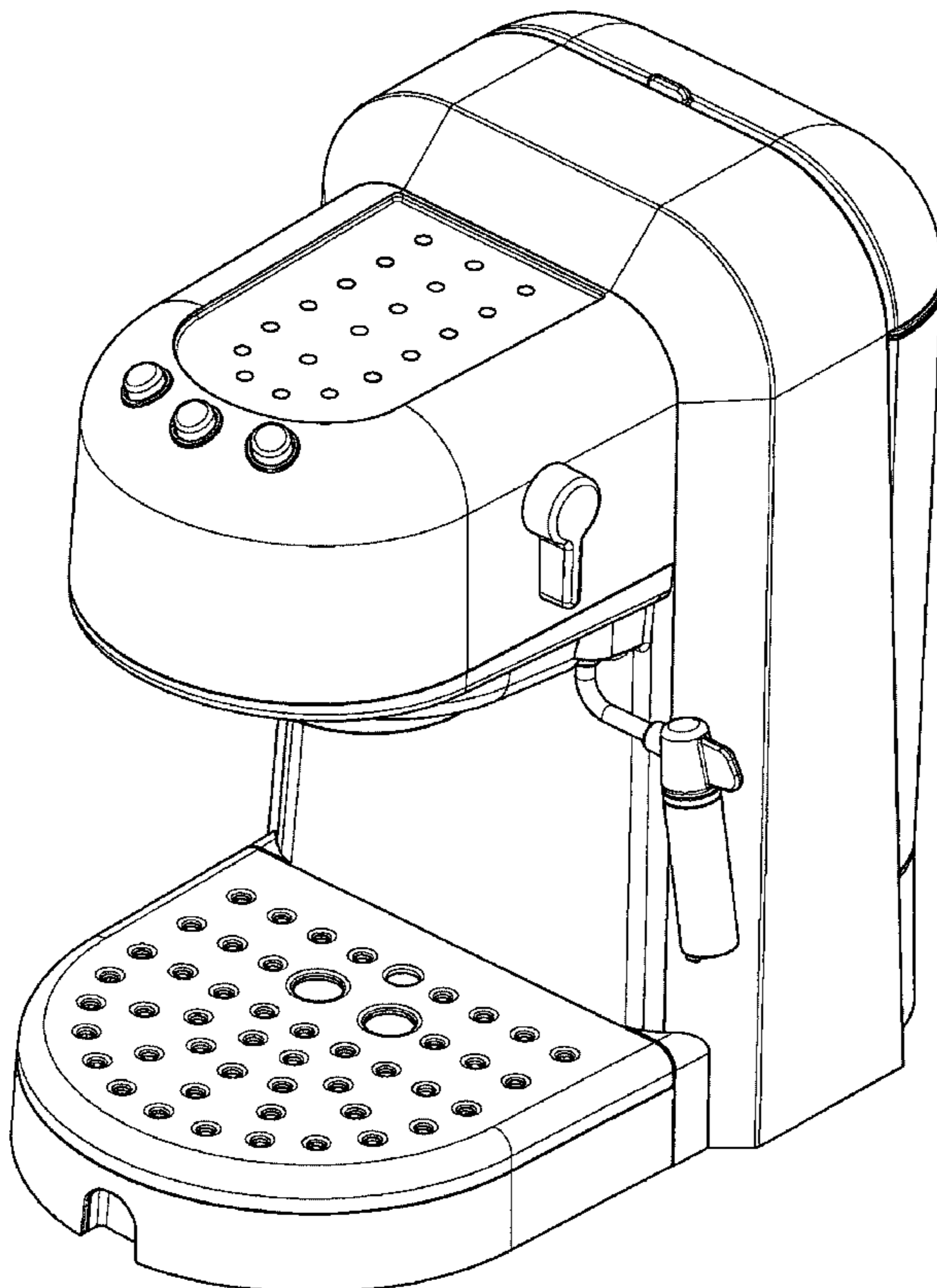


Fig. 1

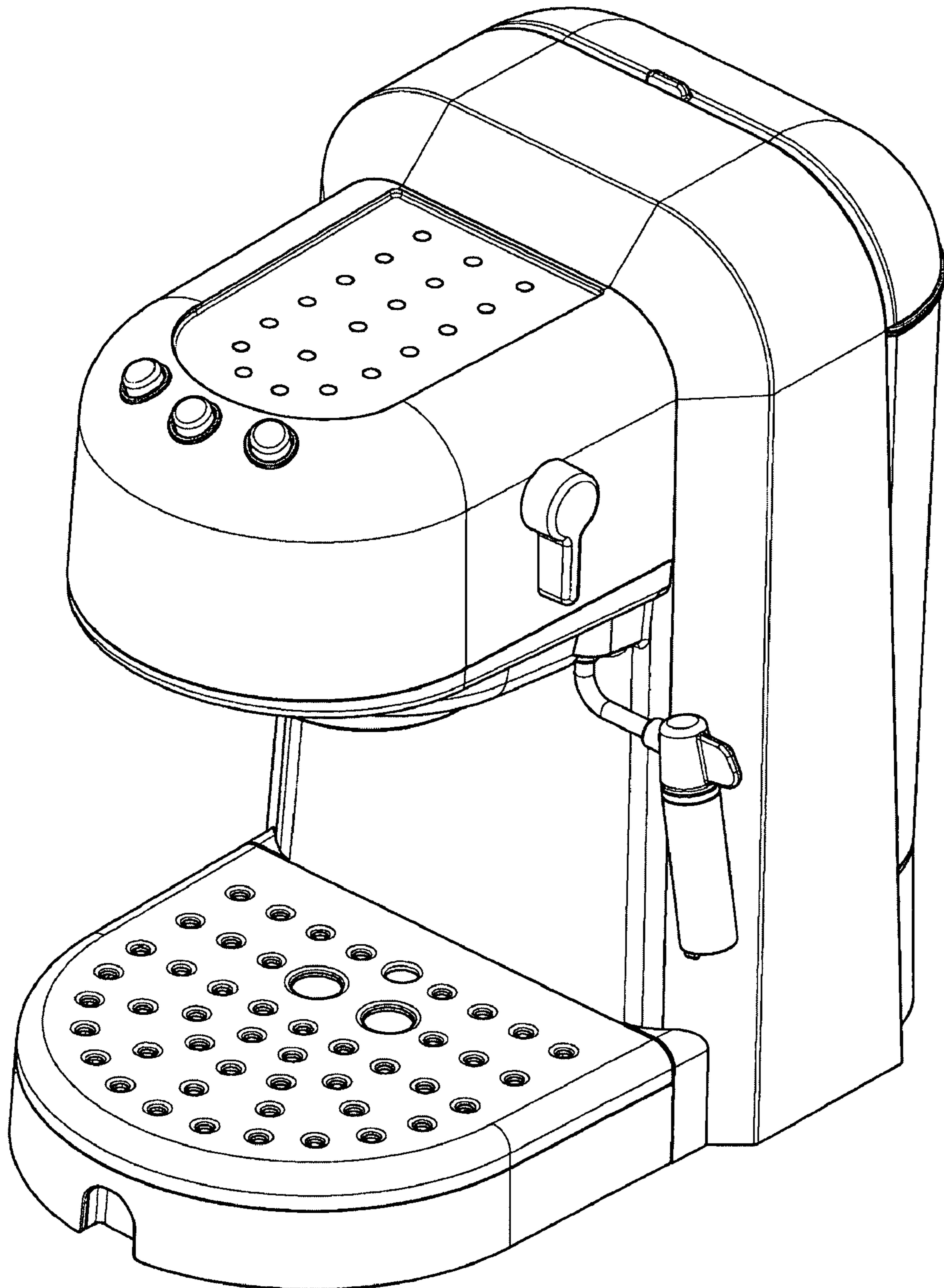


Fig. 2

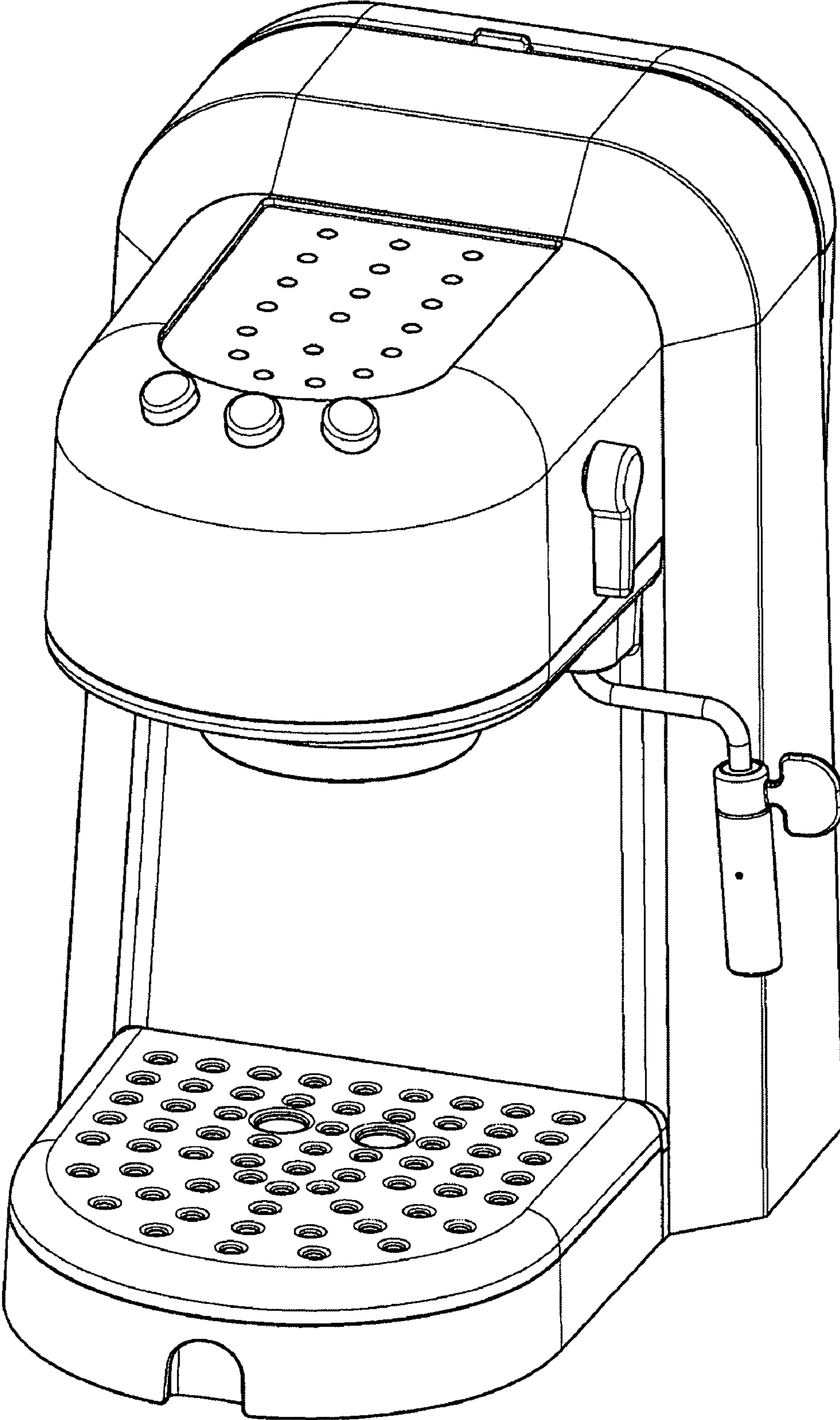


Fig. 3

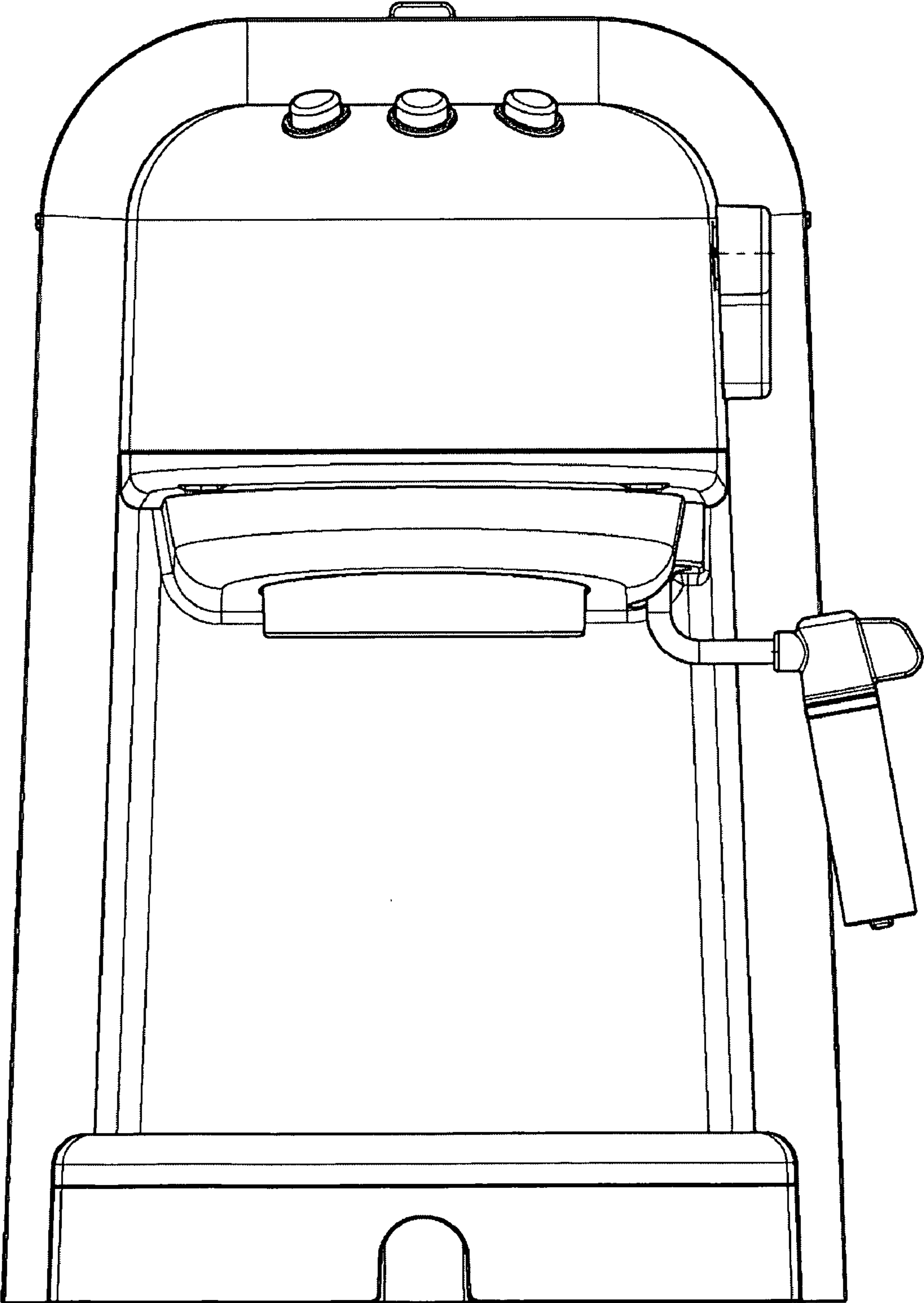


Fig. 4

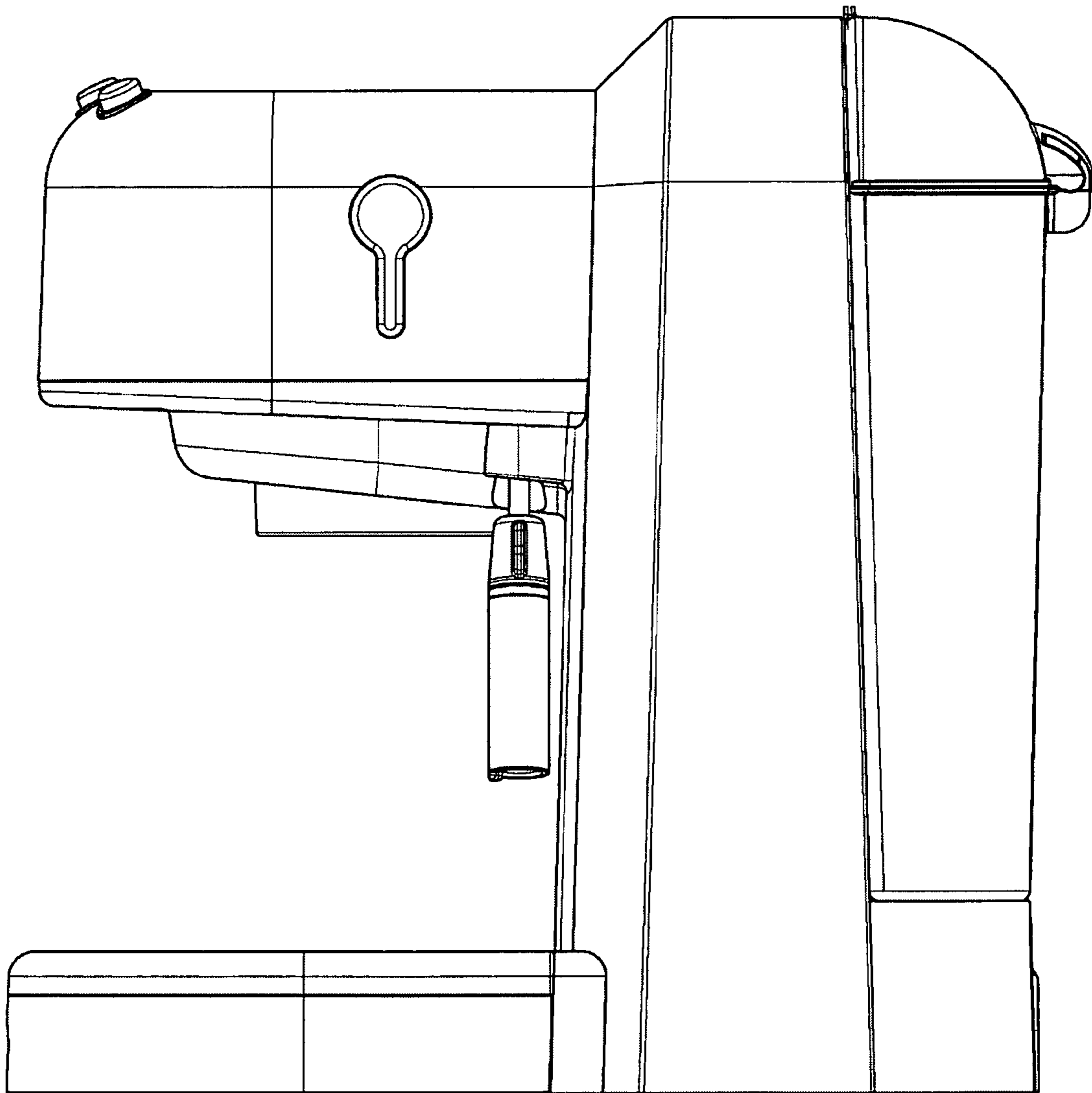


Fig. 5

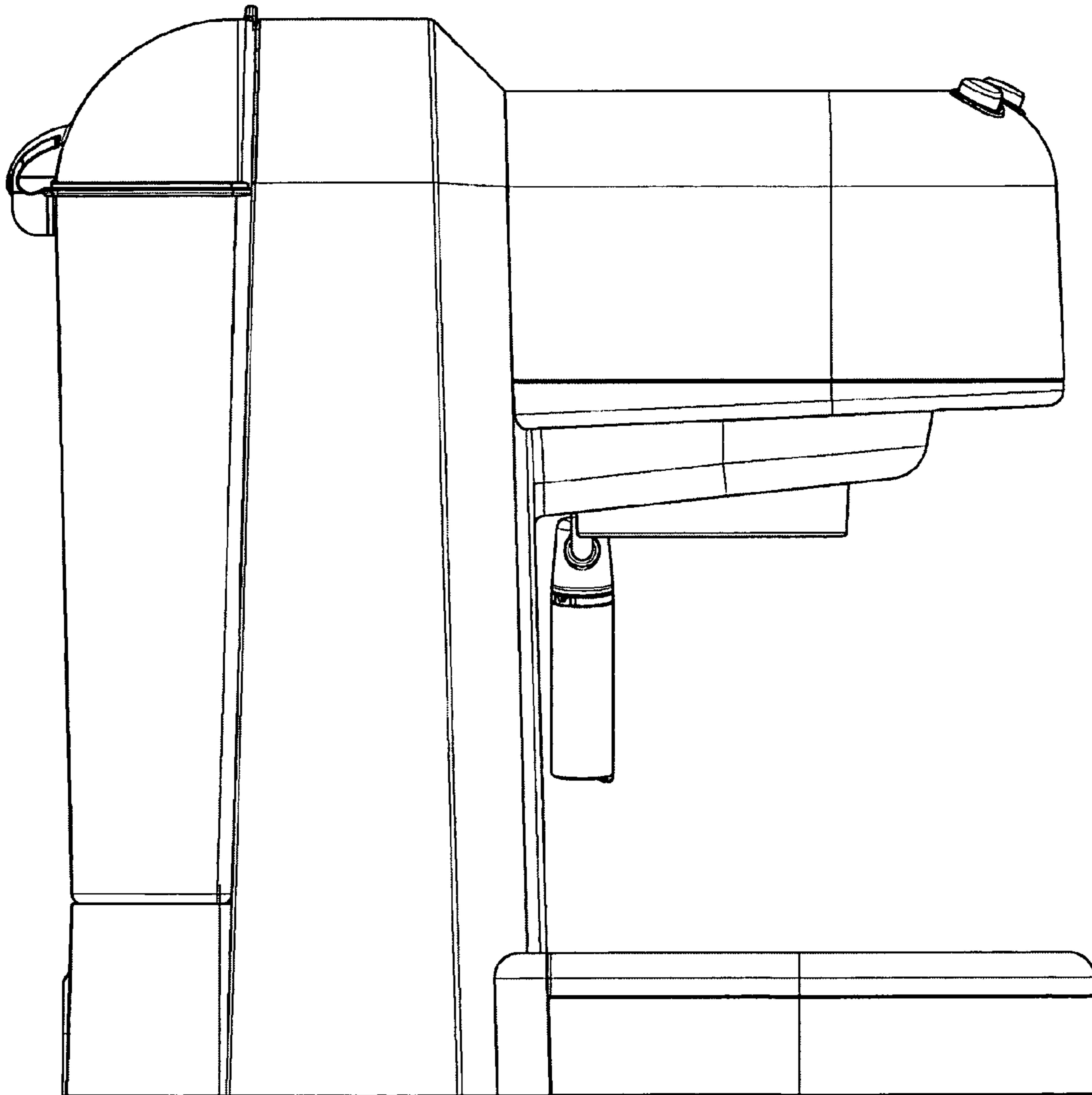


Fig. 6

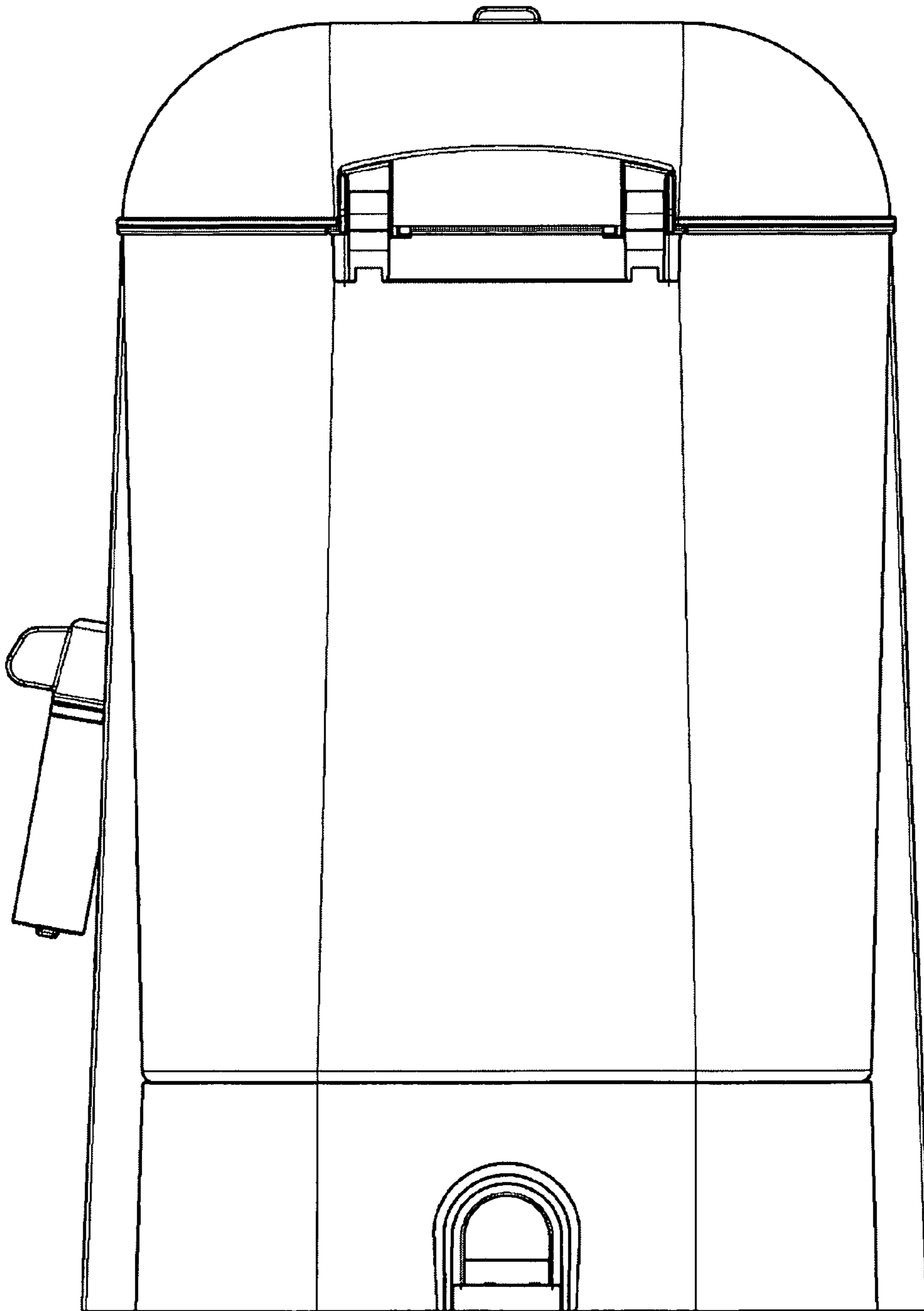


Fig. 7

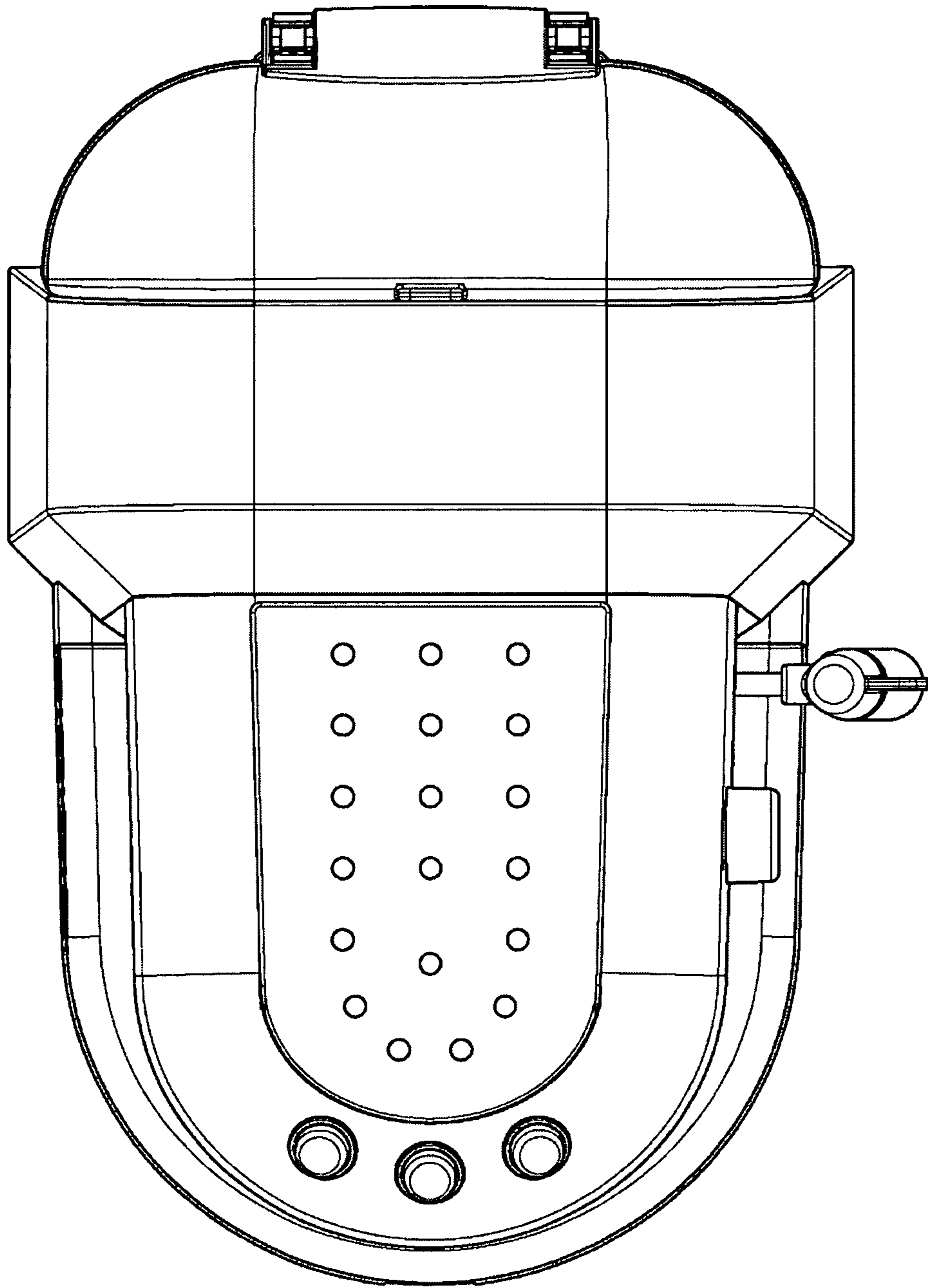


Fig. 8

