



US00D585691S

(12) **United States Design Patent**
Borin

(10) **Patent No.:** **US D585,691 S**

(45) **Date of Patent:** **** Feb. 3, 2009**

(54) **COFFEE MACHINE**

(75) Inventor: **Giacomo Borin**, Pordenone (IT)

(73) Assignee: **De'Longhi S.p.A.**, Treviso (IT)

(**) Term: **14 Years**

(21) Appl. No.: **29/292,688**

(22) Filed: **Oct. 24, 2007**

(30) **Foreign Application Priority Data**

Apr. 26, 2007 (EM) 000713516

(51) **LOC (9) Cl.** **07-01**

(52) **U.S. Cl.** **D7/309**

(58) **Field of Classification Search** D7/300,
D7/305, 306, 307, 308; 99/299, 284, 280,
99/283, 300; 222/129.1-129.4; 219/433
See application file for complete search history.

(56) **References Cited**

U.S. PATENT DOCUMENTS

D378,559 S	*	3/1997	Gudefin	D7/309
D431,409 S	*	10/2000	Man	D7/309
D452,106 S	*	12/2001	Seiffert	D7/305
D509,701 S	*	9/2005	Lam	D7/309
D556,495 S	*	12/2007	Davenport	D7/309
D575,977 S	*	9/2008	Rose	D7/309

* cited by examiner

Primary Examiner—Holly H Baynham

Assistant Examiner—Sheryl Lane

(74) *Attorney, Agent, or Firm*—Hamre, Schumann, Mueller & Larson, P.C.

(57) **CLAIM**

The ornamental design for a coffee machine, as shown and described.

DESCRIPTION

FIG. 1 is a perspective view of a coffee machine in accordance with a first embodiment of my invention thereof;

FIG. 2 is a front view thereof;

FIG. 3 is a left side view thereof;

FIG. 4 is a right side view thereof;

FIG. 5 is a back view thereof;

FIG. 6 is a top view thereof;

FIG. 7 is a bottom view thereof;

FIG. 8 is a perspective of a coffee machine in accordance with a second embodiment of my design;

FIG. 9 is a front view thereof;

FIG. 10 is a left side view thereof;

FIG. 11 is a right side view thereof;

FIG. 12 is a back view thereof;

FIG. 13 is a top view thereof; and,

FIG. 14 is a bottom view thereof.

1 Claim, 14 Drawing Sheets

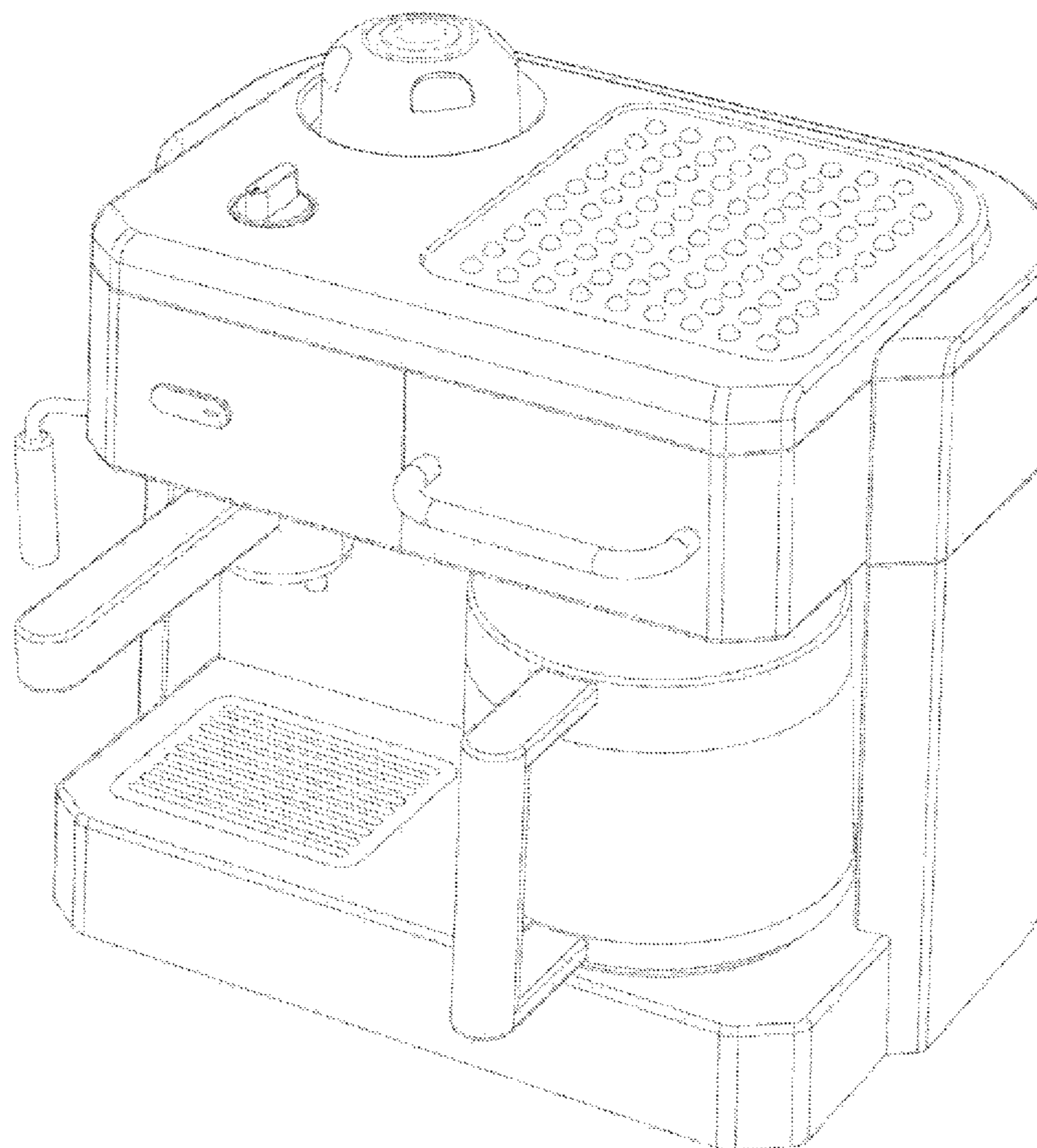
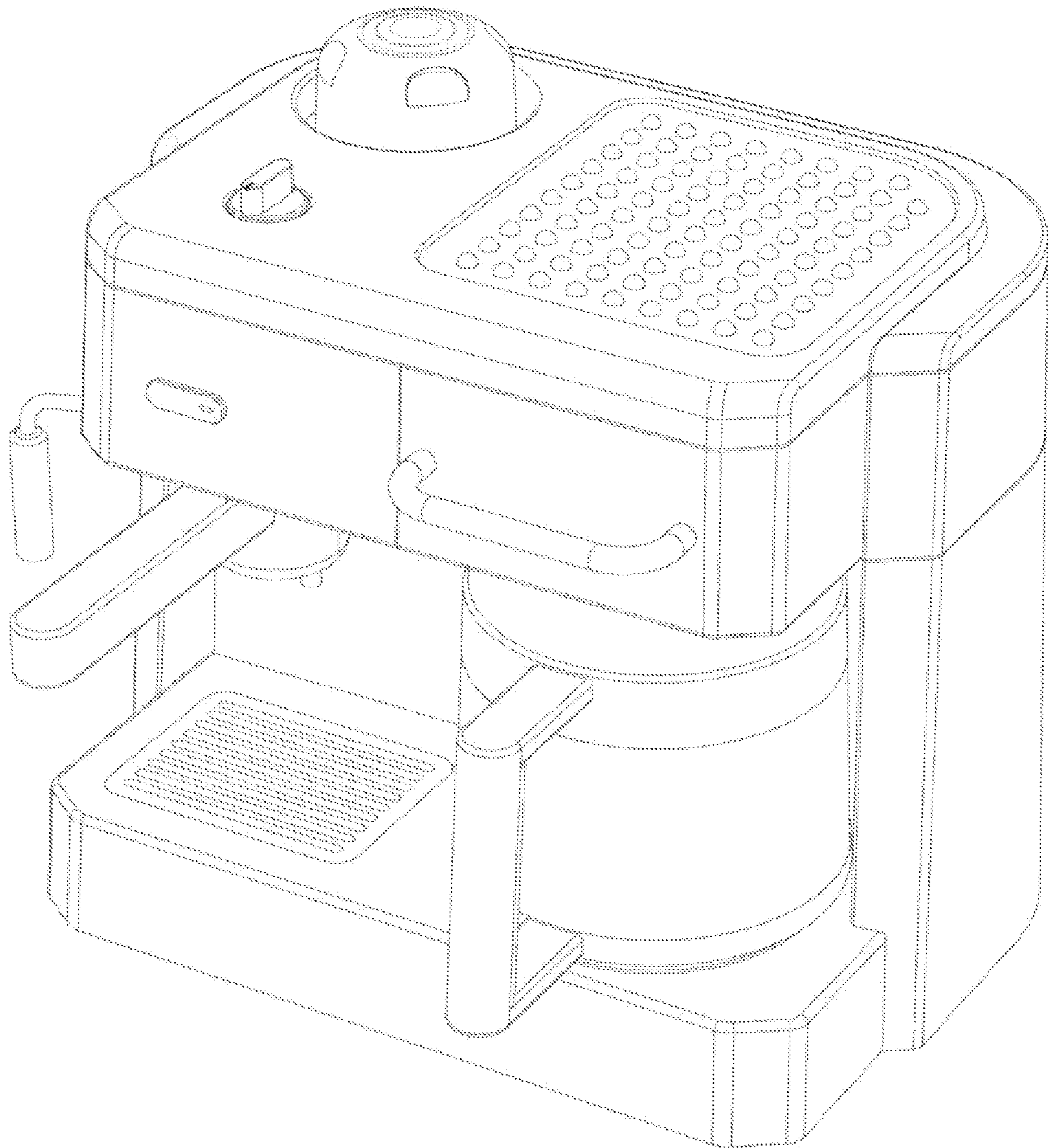


Fig. 1



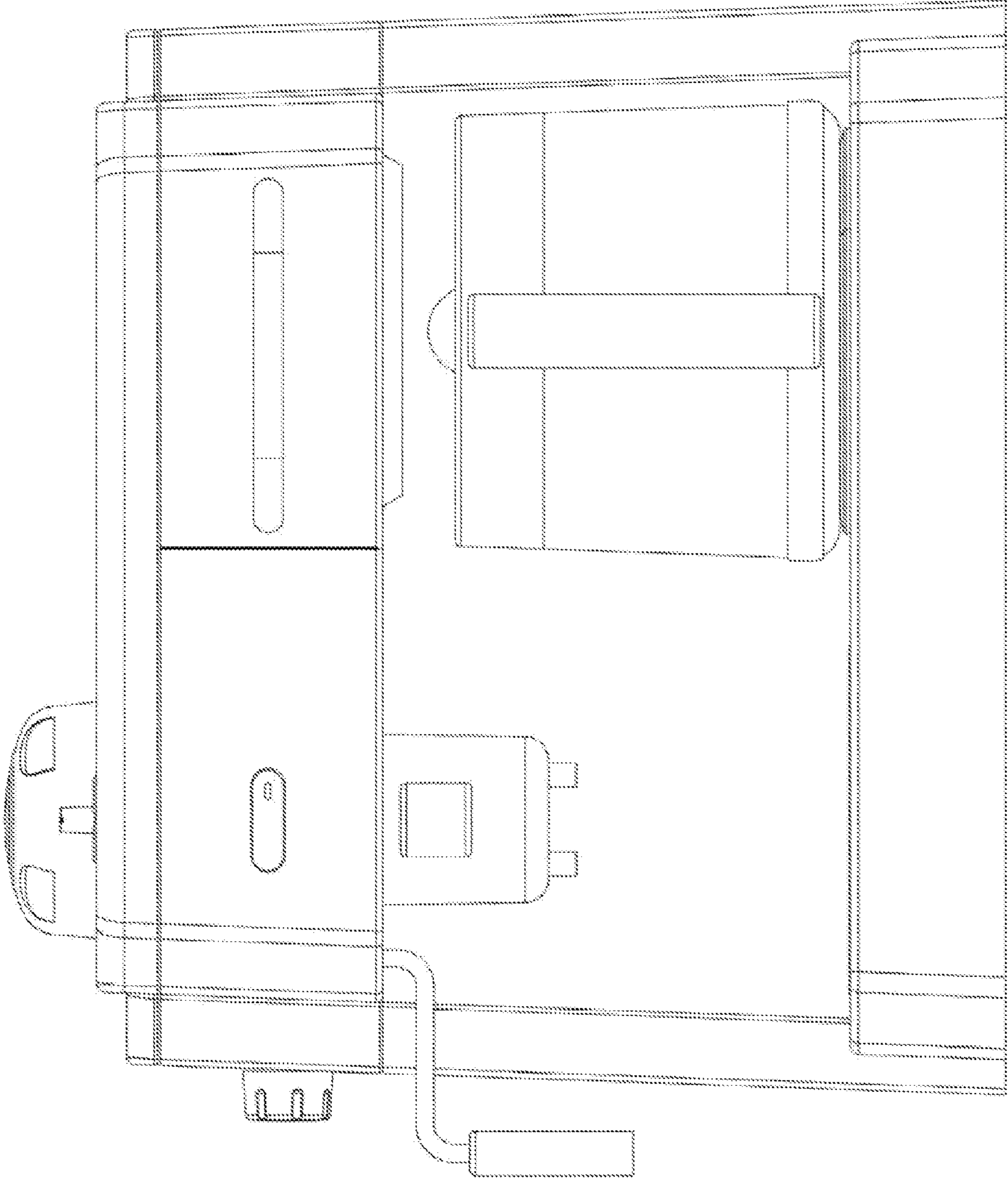


Fig. 2

Fig. 3

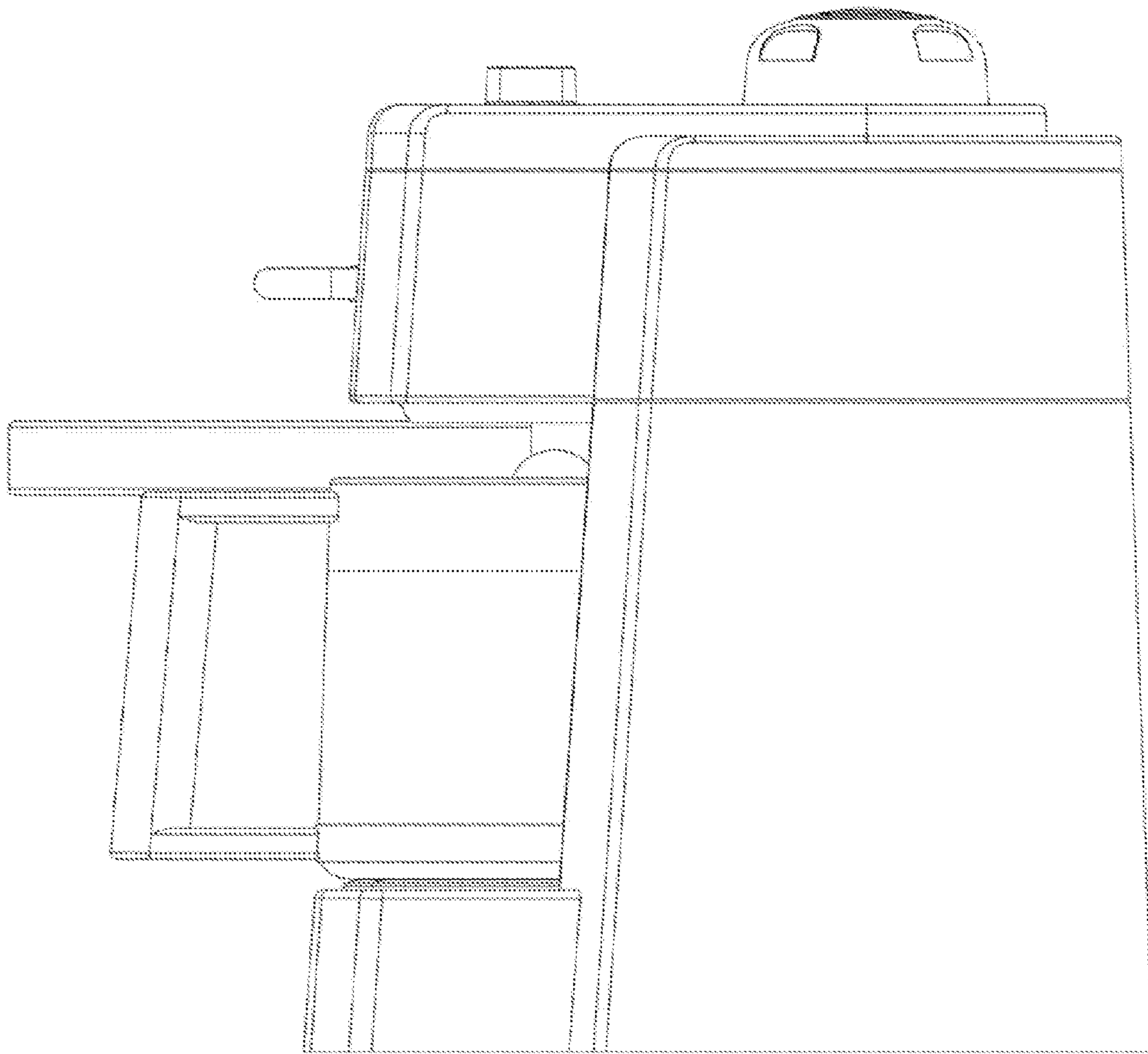
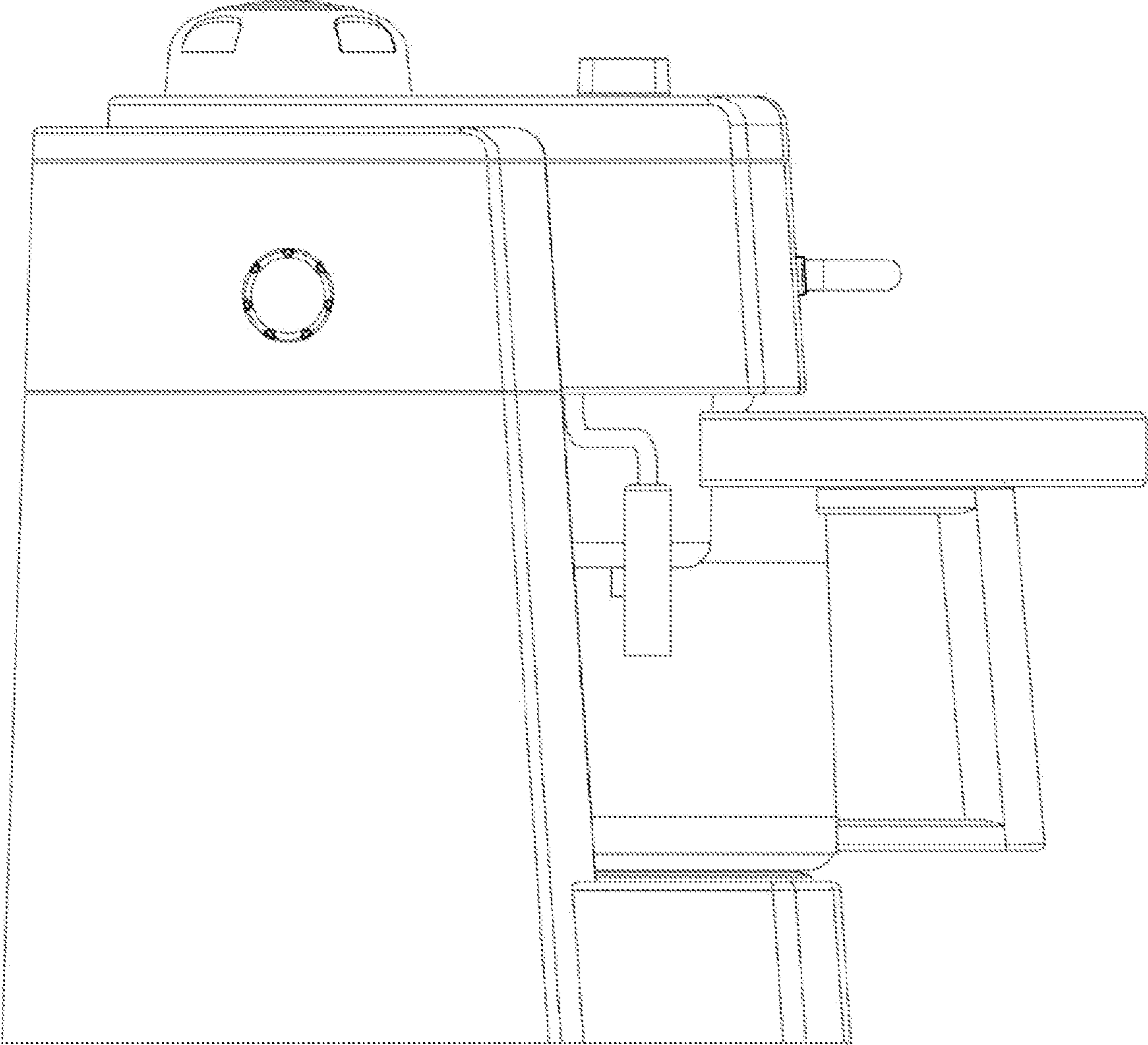


Fig. 4



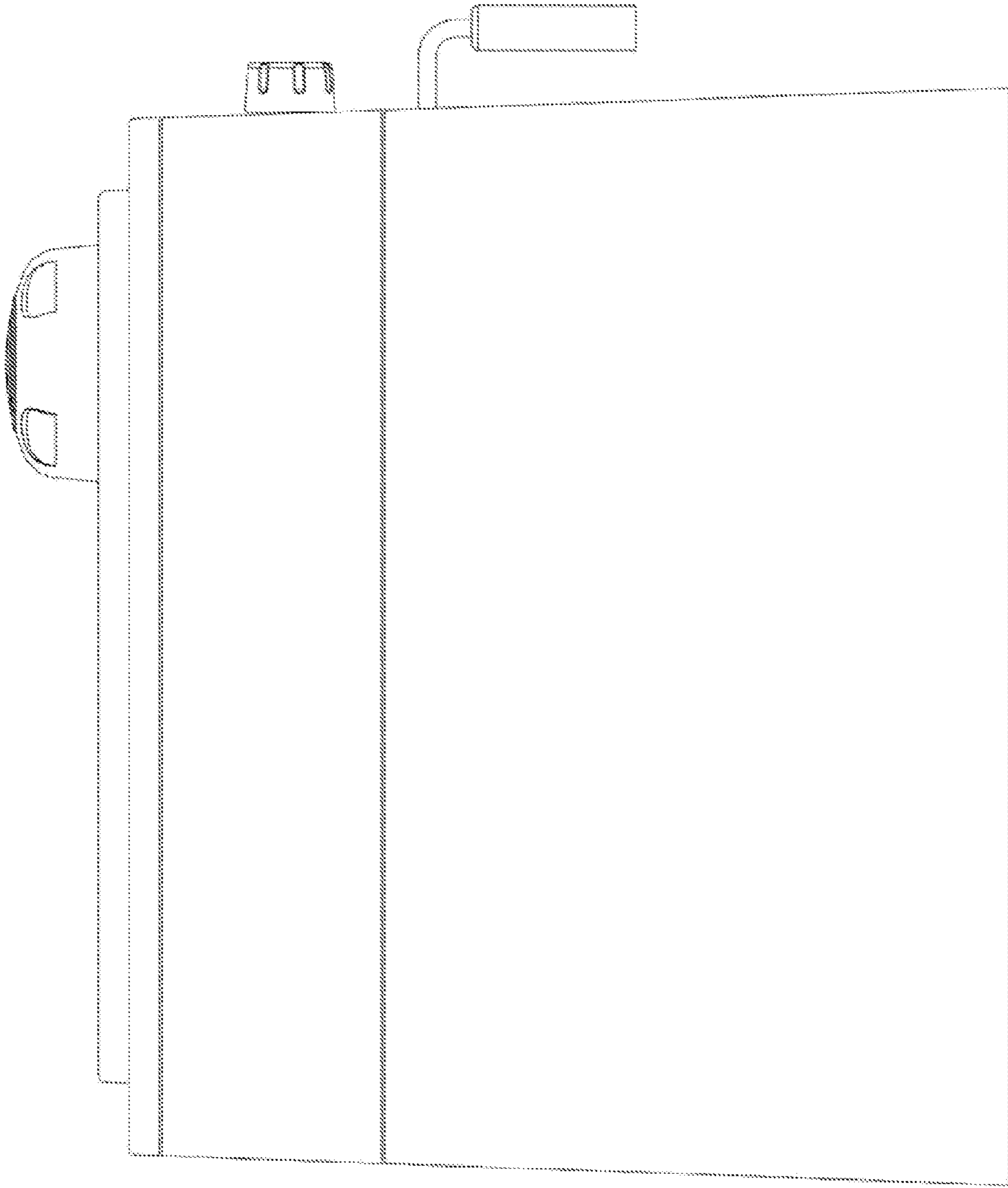


Fig. 5

Fig. 6

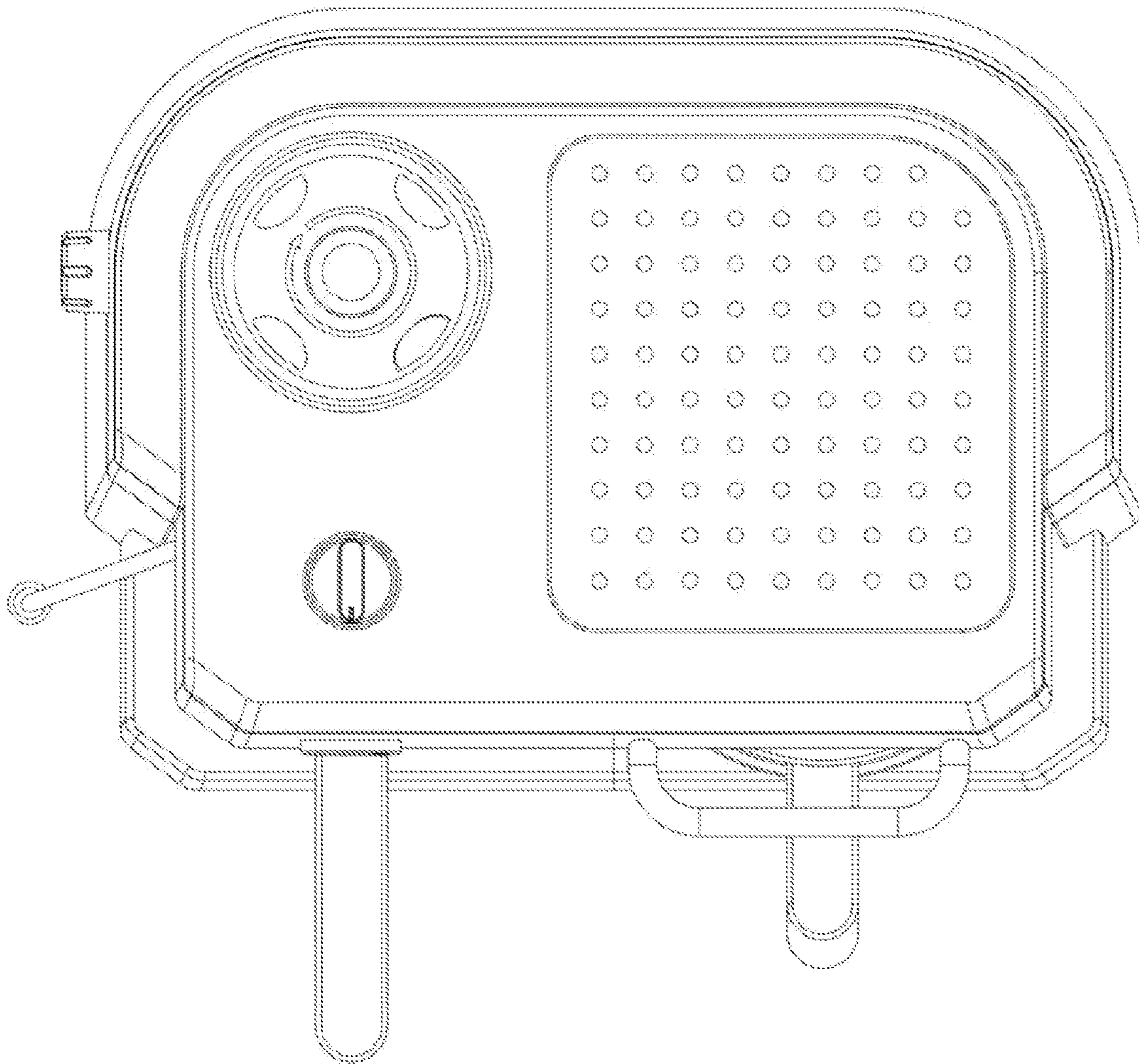


Fig. 7

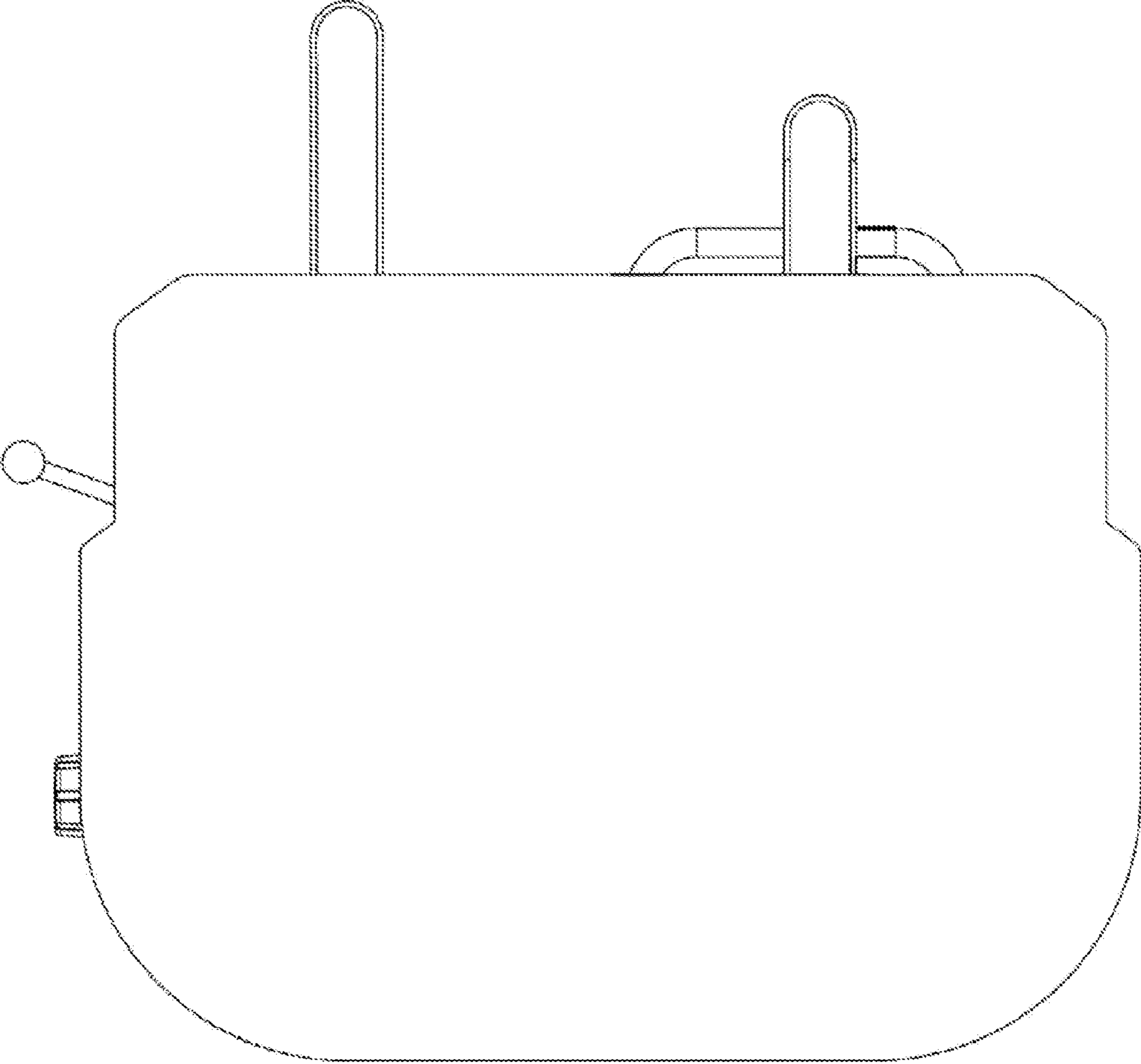
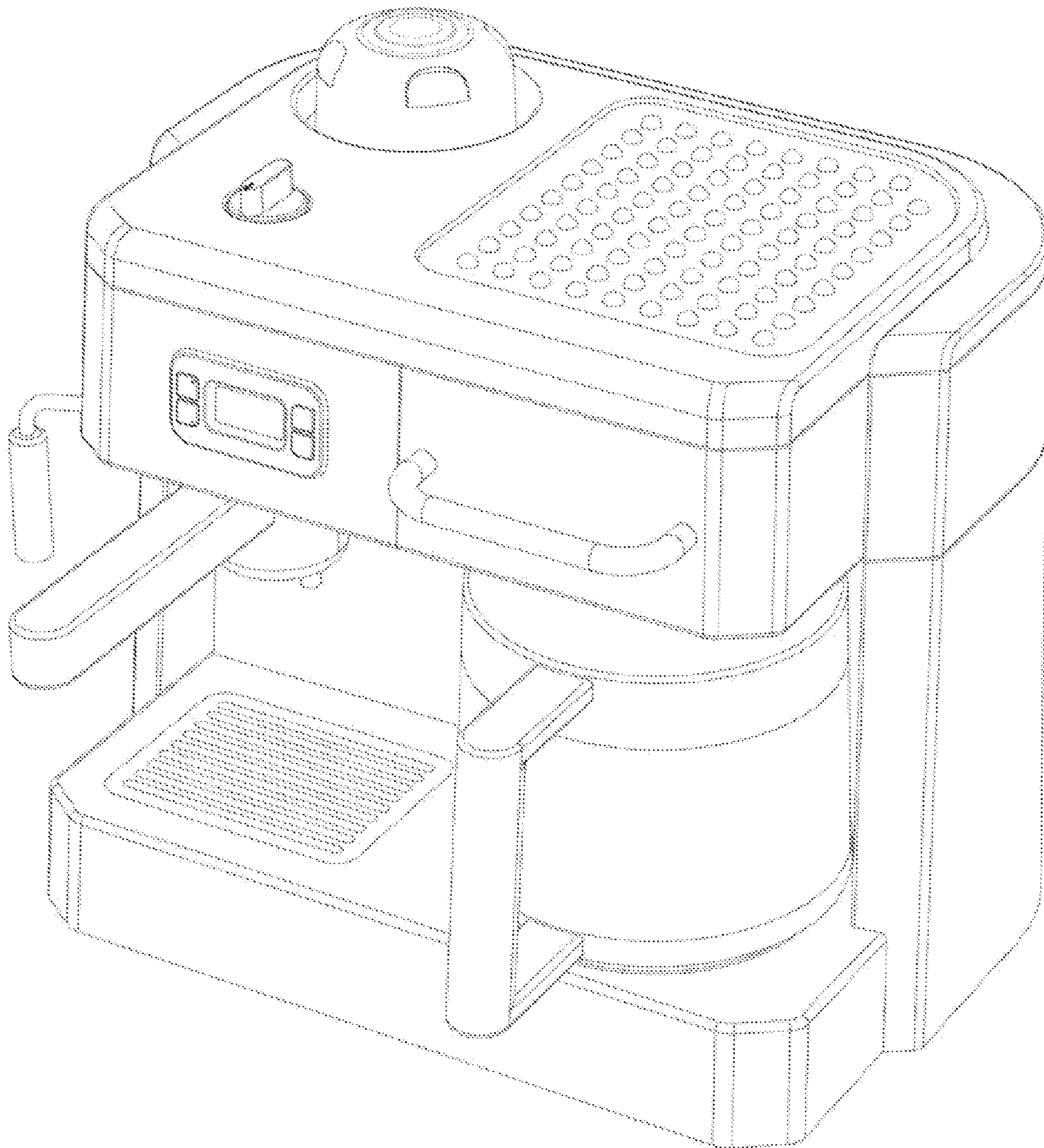


Fig. 8



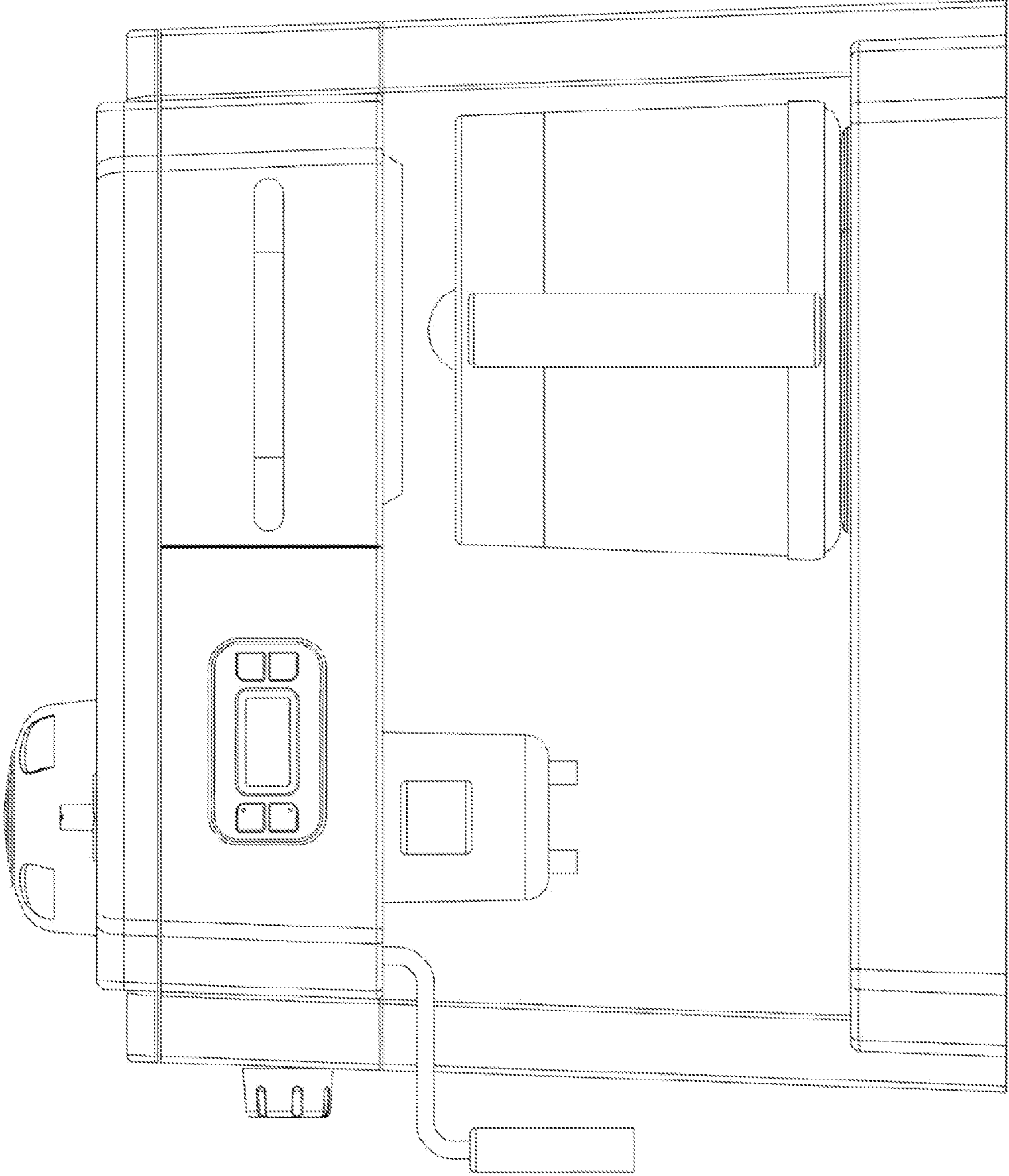


Fig. 9

Fig. 10

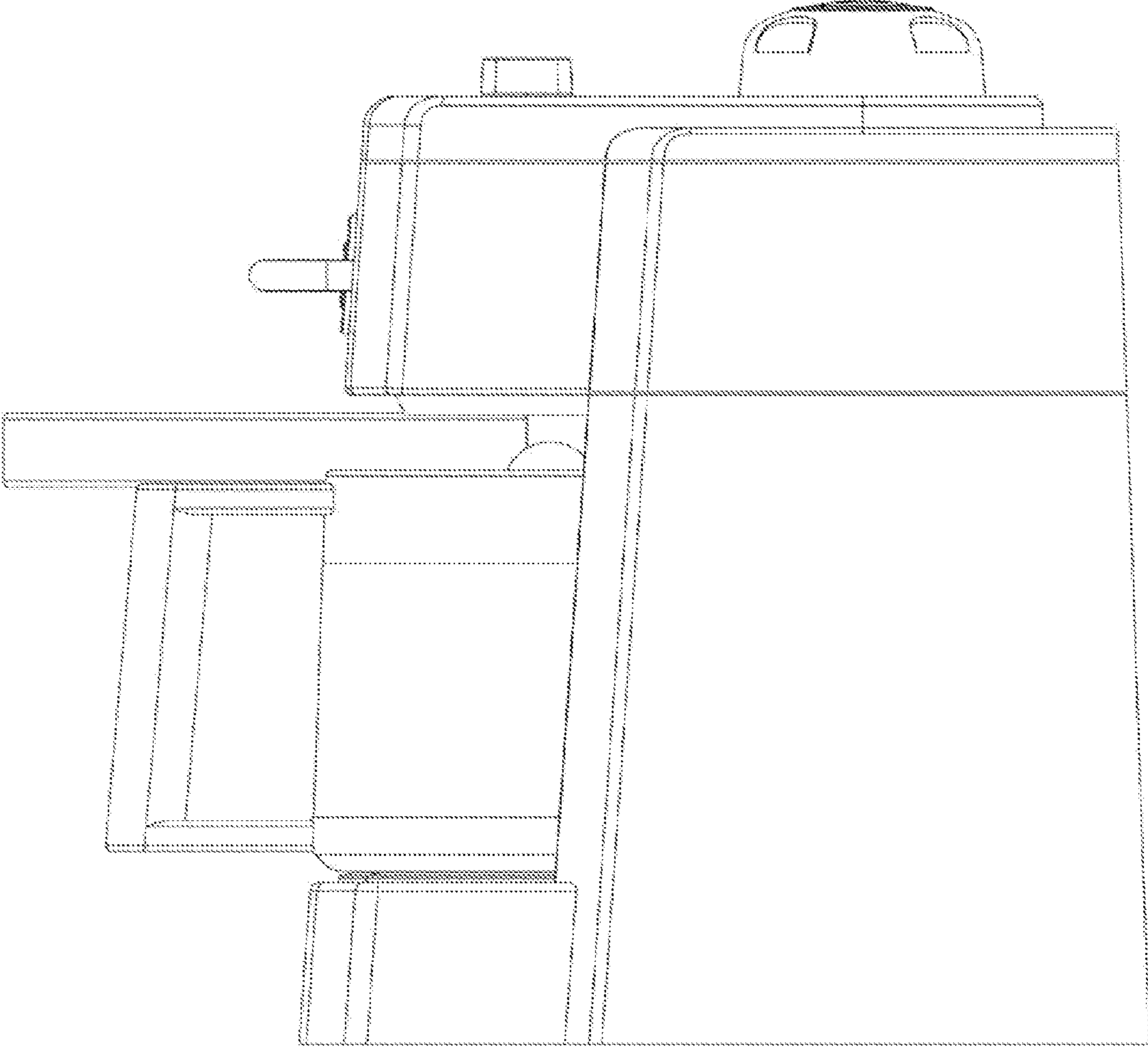
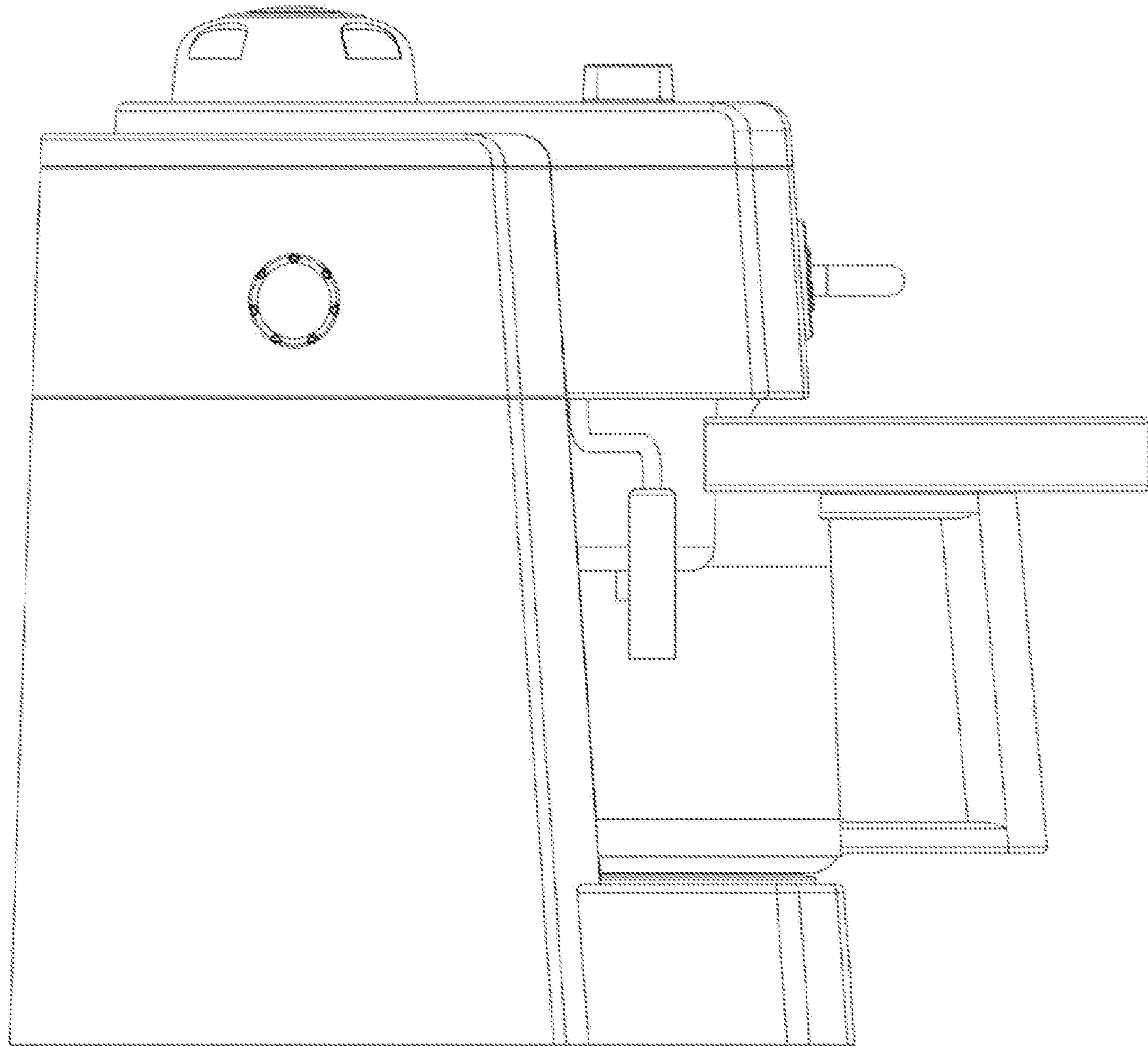


Fig. 11



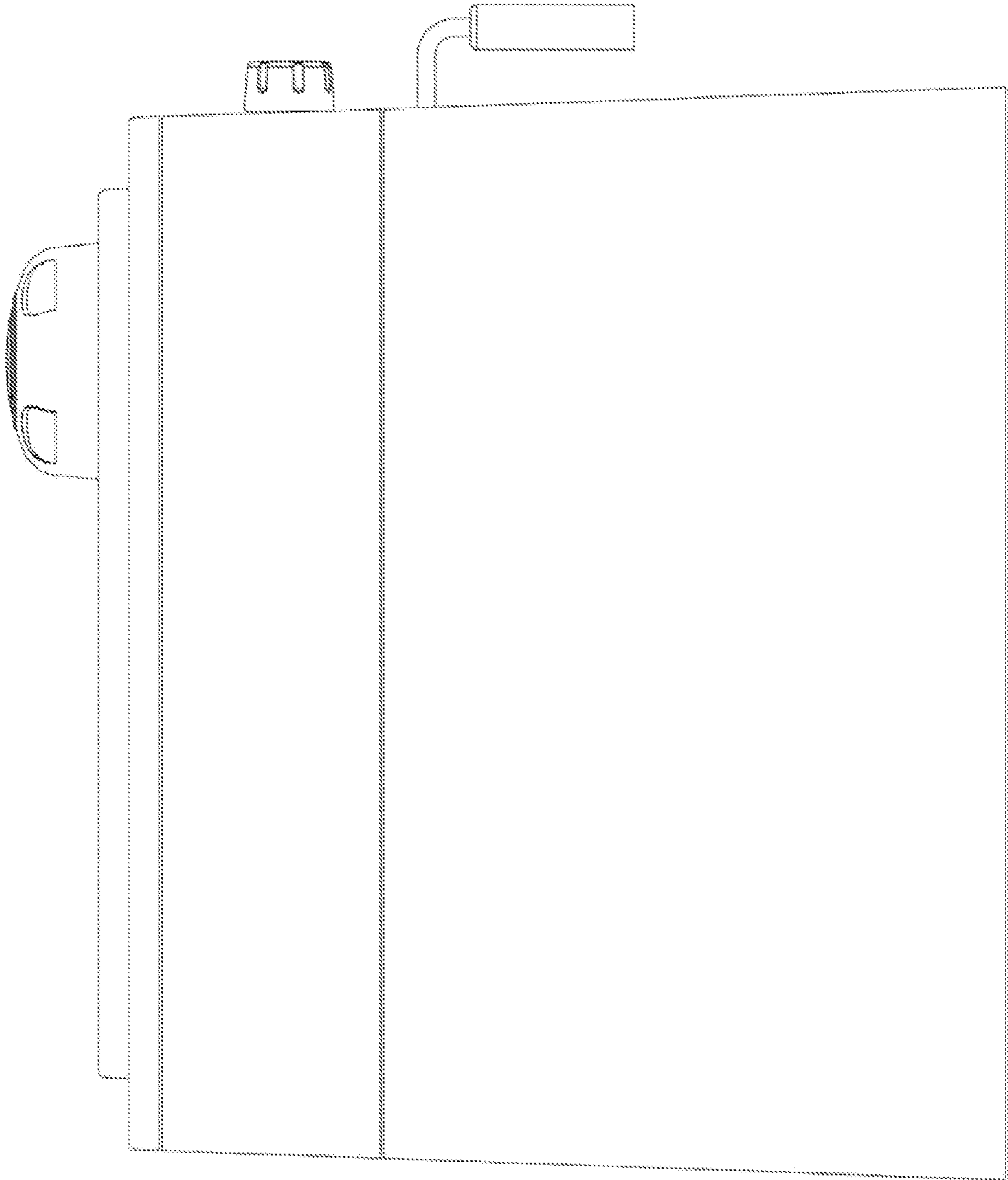


Fig. 12

Fig. 13

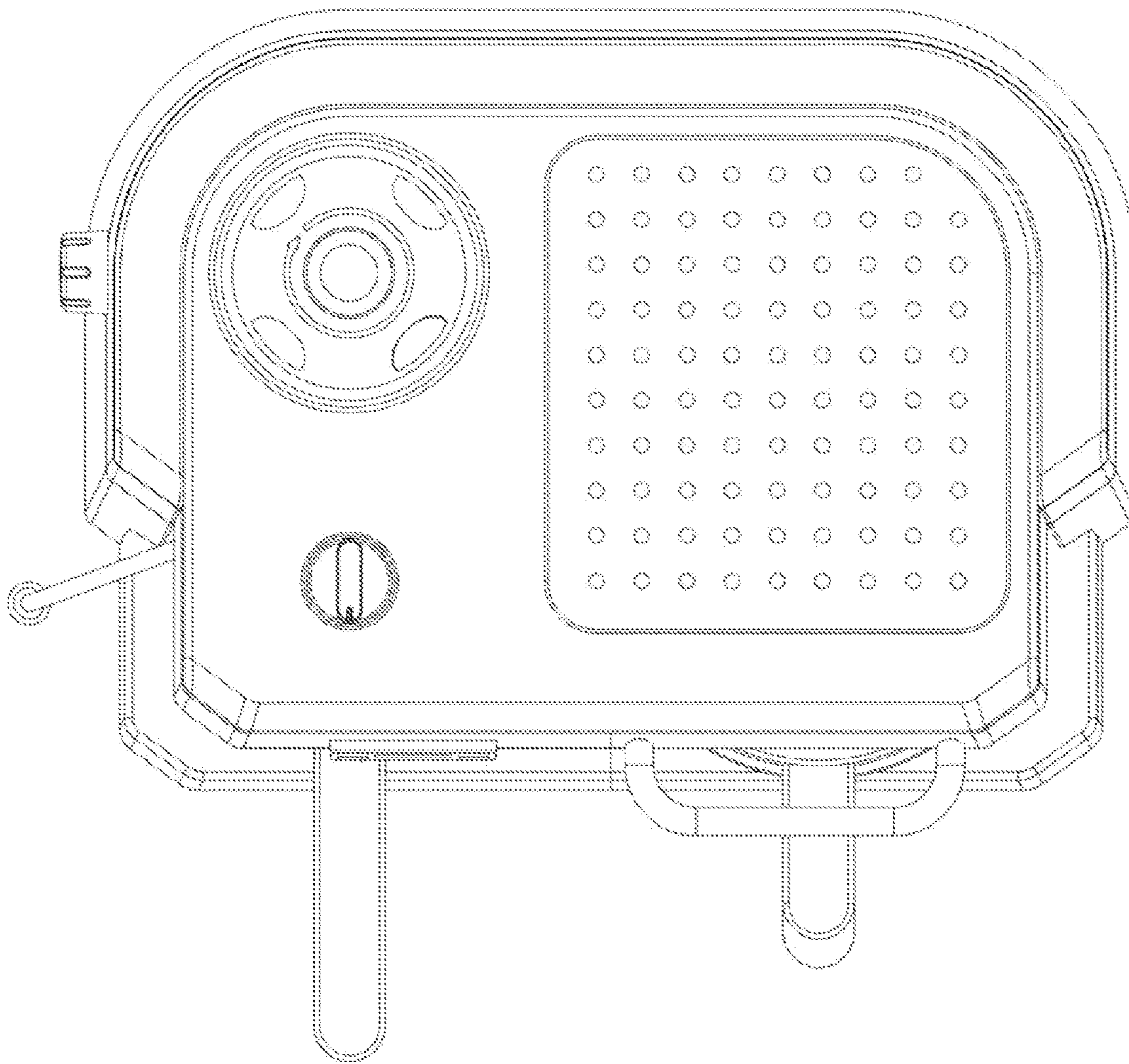


Fig. 14

