



US00D585685S

(12) **United States Design Patent**
Mandel

(10) **Patent No.:** **US D585,685 S**

(45) **Date of Patent:** **** Feb. 3, 2009**

(54) **SIMPLE BAG DISPENSER**

(75) Inventor: **Logan Flash Mandel**, Los Angeles, CA (US)

(73) Assignee: **GMPC, LLC**, Santa Monica, CA (US)

(**) Term: **14 Years**

(21) Appl. No.: **29/297,019**

(22) Filed: **Nov. 1, 2007**

(51) **LOC (9) Cl.** **20-02**

(52) **U.S. Cl.** **D6/515**

(58) **Field of Classification Search** D6/515-523,
D6/572; 211/13.1, 44, 45, 49.1, 50, 59.2,
211/86.01, 87.01; 206/554; 221/222, 33,
221/45, 134, 181-182; D34/5; 248/100
See application file for complete search history.

(56) **References Cited**

U.S. PATENT DOCUMENTS

D367,139 S * 2/1996 Brown D34/5
5,667,173 A * 9/1997 Wilfong et al. 248/100

D423,841 S * 5/2000 Kerr et al. D6/515
D483,593 S * 12/2003 Knapp D6/572

* cited by examiner

Primary Examiner—Brian N Vinson

(74) *Attorney, Agent, or Firm*—Christie, Parker & Hale, LLP

(57) **CLAIM**

The ornamental design for simple bag dispenser, as shown and described.

DESCRIPTION

FIG. 1 is a front view of a simple bag dispenser showing my new design in its assembled orientation;

FIG. 2 is a right side view thereof;

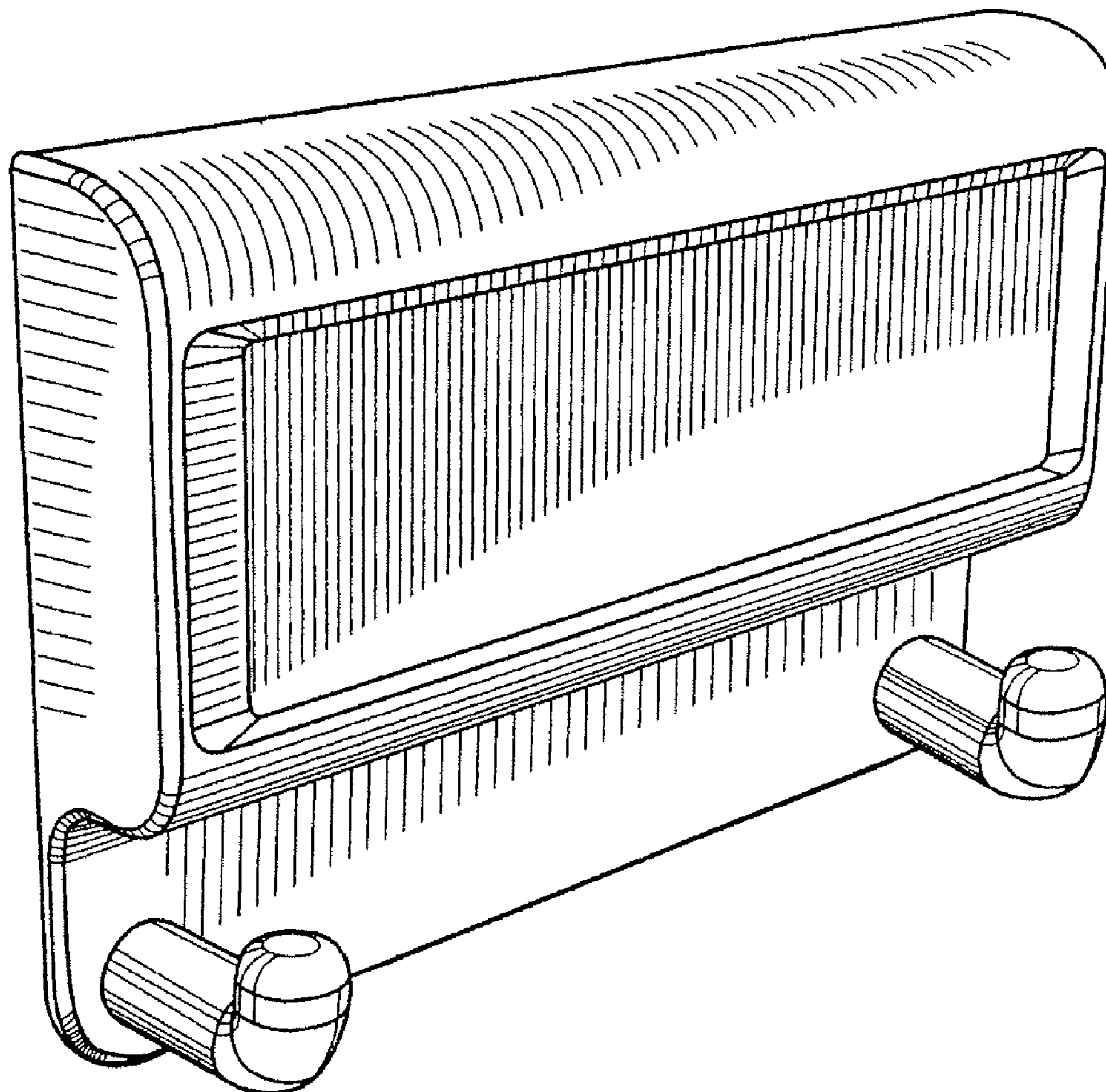
FIG. 3 is a top view thereof;

FIG. 4 is a bottom view thereof; and,

FIG. 5 is a left front isometric view thereof.

The left side view of the simple bag dispenser is a mirror image of the view shown in FIG. 2.

1 Claim, 5 Drawing Sheets



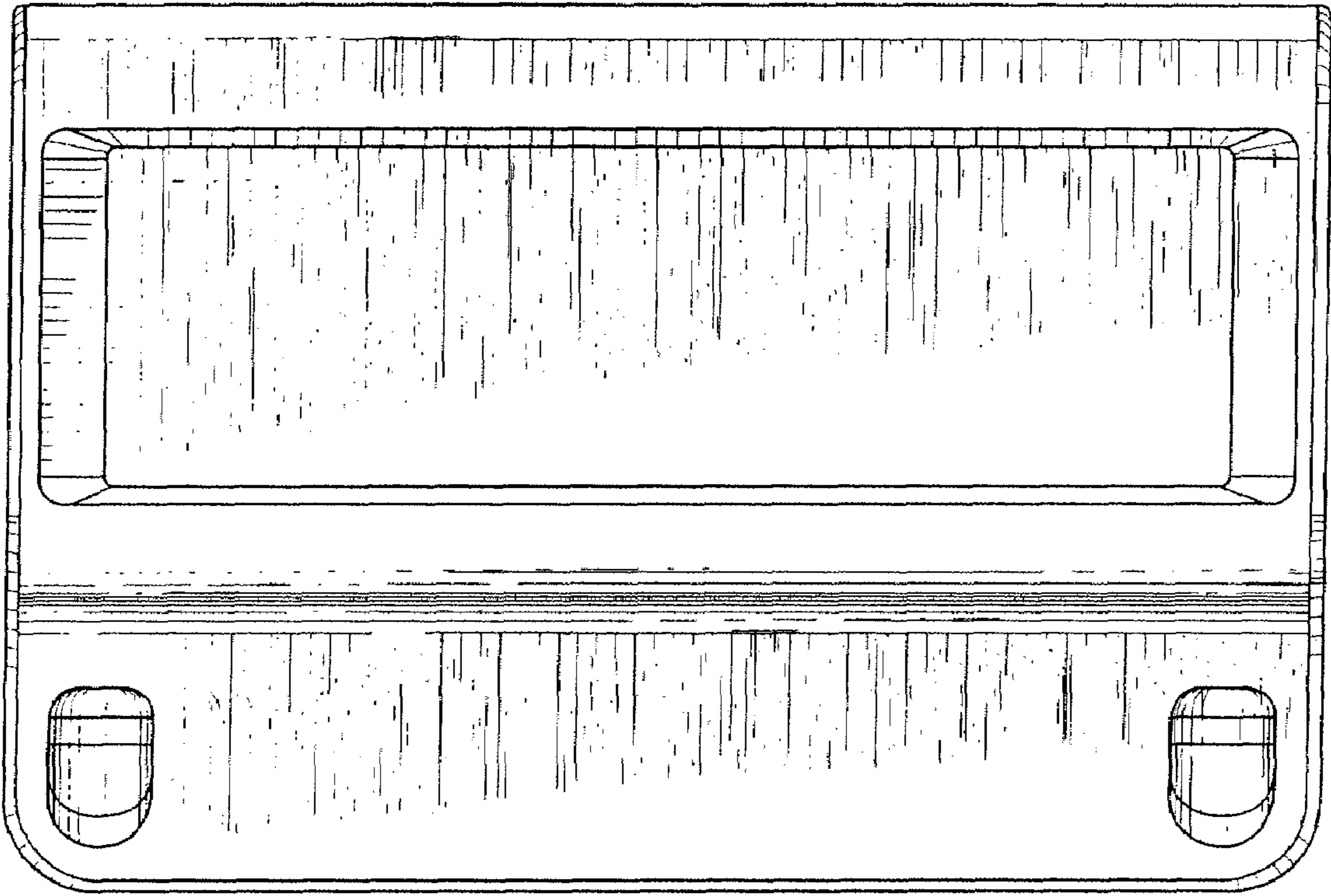


FIG-1

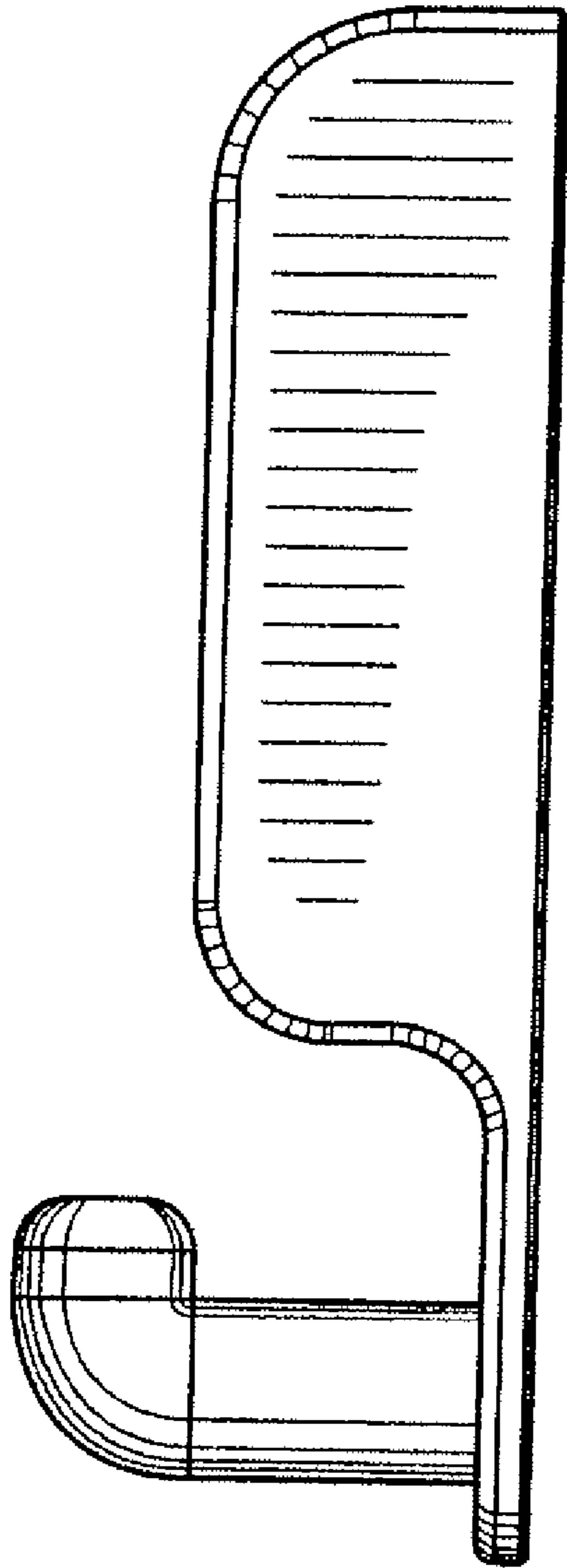


FIG-2

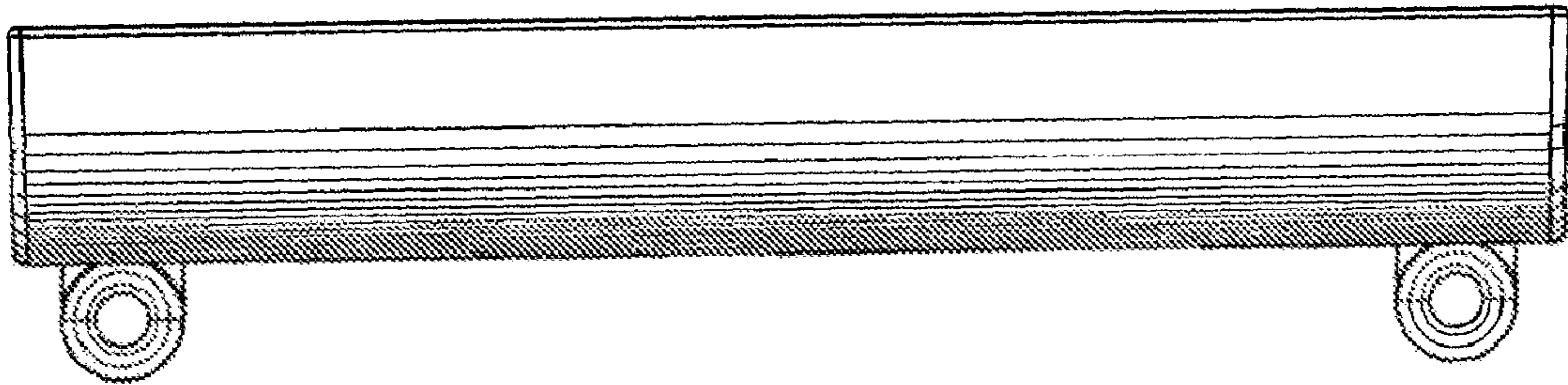


FIG-3

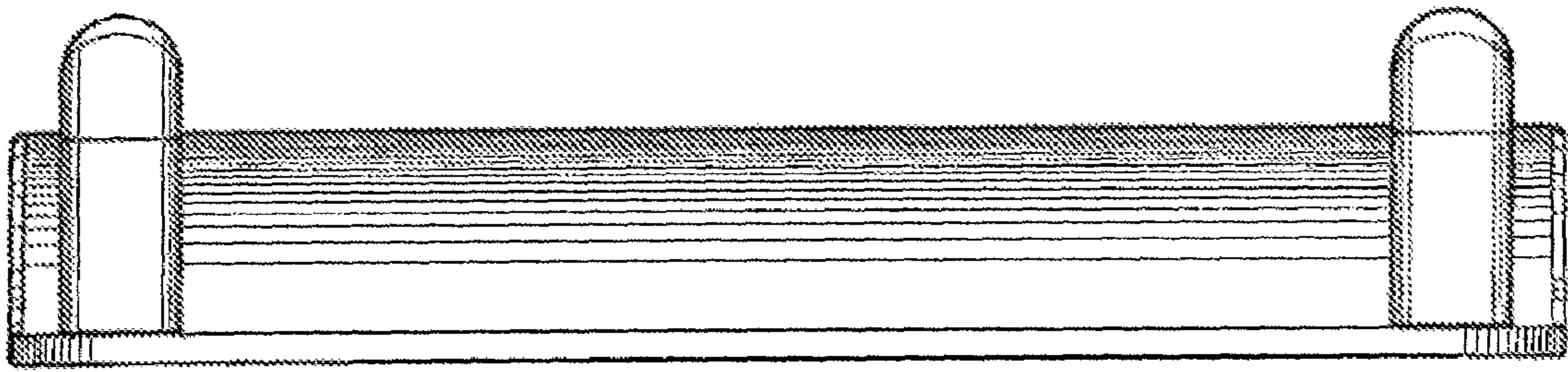


FIG-4

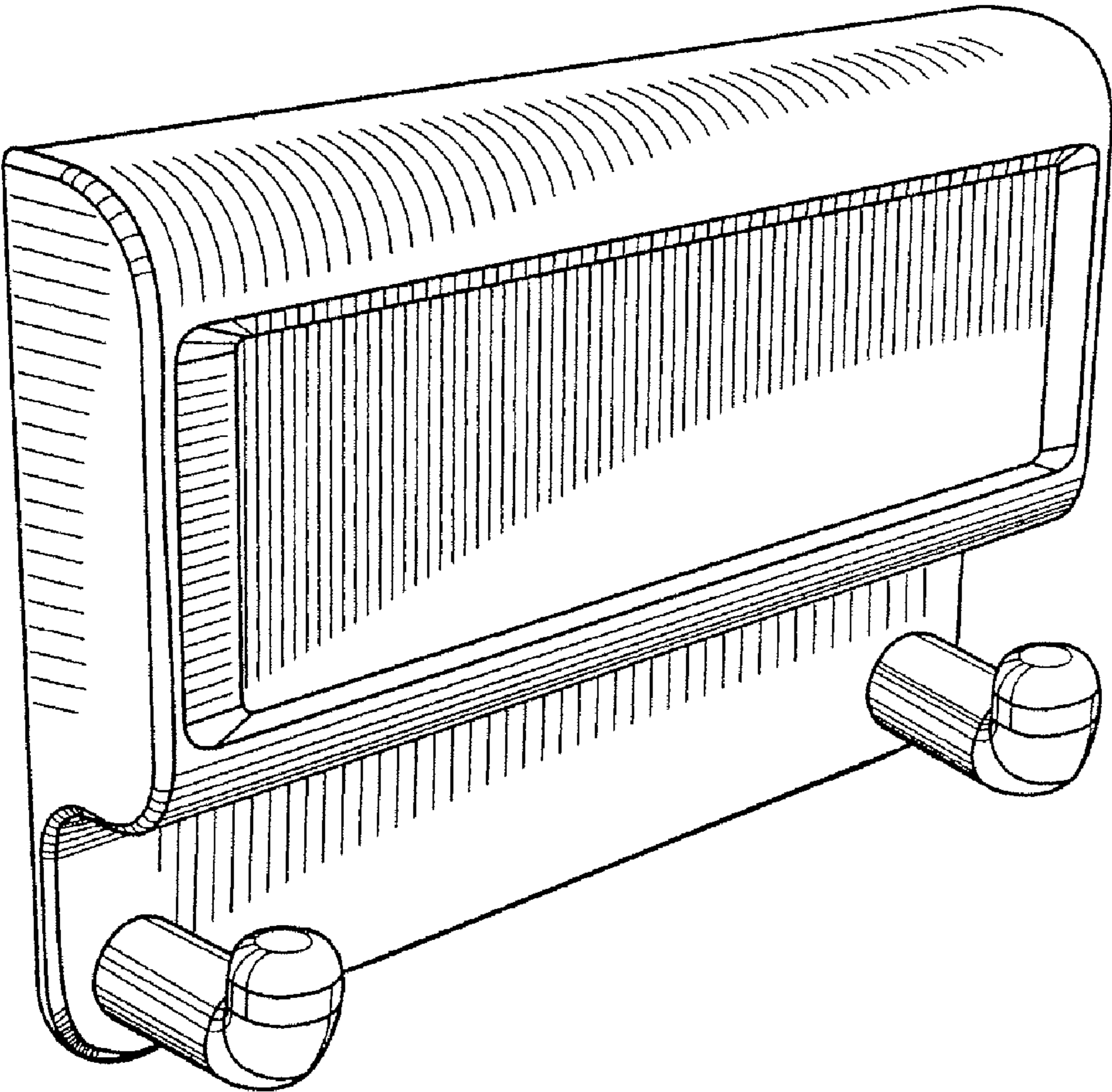


FIG-5