



US00D585682S

(12) **United States Design Patent**
Liss et al.

(10) **Patent No.:** **US D585,682 S**
(45) **Date of Patent:** **** Feb. 3, 2009**

(54) **PORTION OF AN EMBOSSED SHELF EDGE
IN SHELF UNIT**

D569,143 S * 5/2008 Liss et al. D6/511
D571,133 S * 6/2008 Liss et al. D6/511
D571,589 S * 6/2008 Liss et al. D6/511
D572,053 S * 7/2008 Liss et al. D6/509
D572,054 S * 7/2008 Liss et al. D6/509

(75) Inventors: **Mitchell Liss**, Northbrook, IL (US);
Tony Troyner, Shorewood, IL (US);
Thomas St. Germain, Bridgeview, IL
(US); **David Wojtowicz**, Orland Park, IL
(US)

* cited by examiner

Primary Examiner—Cathron C Brooks

Assistant Examiner—Austin Murphy

(73) Assignee: **Edsal Manufacturing Co., Inc.**,
Chicago, IL (US)

(74) *Attorney, Agent, or Firm*—Wood, Herron & Evans, LLP

(**) Term: **14 Years**

(57) **CLAIM**

(21) Appl. No.: **29/296,562**

The ornamental design for a portion of an embossed shelf edge in shelf unit, as shown and described.

(22) Filed: **Oct. 23, 2007**

DESCRIPTION

(51) **LOC (9) Cl.** **06-04**

(52) **U.S. Cl.** **D6/509**

(58) **Field of Classification Search** D6/509,
D6/511, 561, 582, 583, 510; D8/349, 354,
D8/373, 380, 382; D25/119–125, 138, 411;
D5/53, 58, 59, 60; 403/402; 248/281.1;
211/88, 90, 126, 134, 135, 187; D12/193
See application file for complete search history.

FIG. 1 is an isometric view of a portion of an embossed shelf edge unit;

FIG. 2 is an enlarged perspective view of a portion of the shelf edge of FIG. 1;

FIG. 3 is a front view of the design of FIG. 1;

FIG. 4 is a right side view of the design of FIG. 3;

FIG. 5 is a rear view of the design of FIG. 3;

FIG. 6 is a left side view of the design of FIG. 5;

FIG. 7 is a top view of the design of FIG. 2; and,

FIG. 8 is a bottom view of the design of FIG. 7.

The broken lines shown in FIG. 1 form no part of the claimed design.

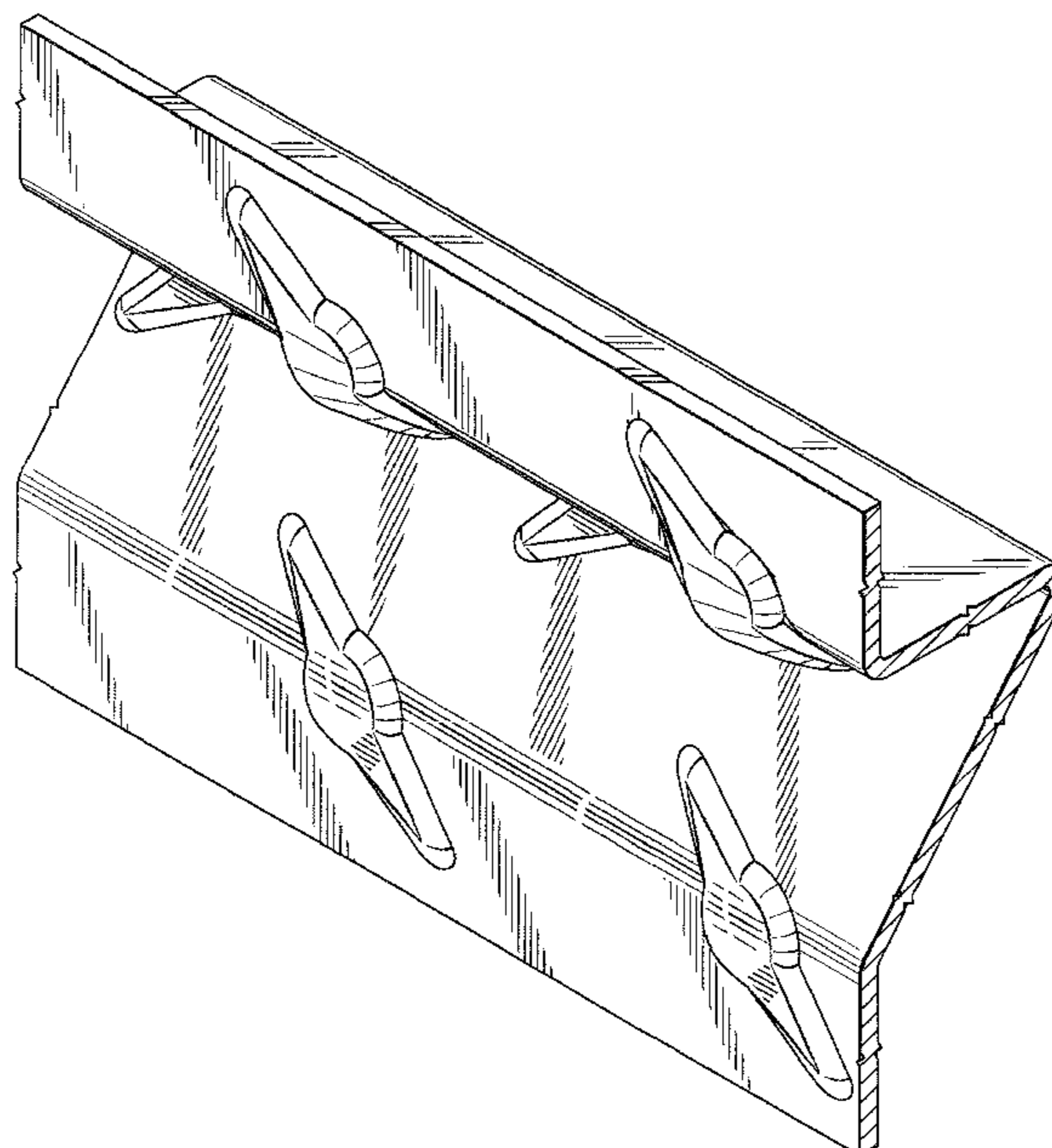
The break lines shown at the edges of the claimed design indicate a non-specified length and form no part of the claimed design. It is understood that the embossed pattern repeats uniformly across the surface to which it is applied.

(56) **References Cited**

U.S. PATENT DOCUMENTS

2,843,953 A * 7/1958 McCanless 40/591
D260,039 S * 7/1981 de Ruiter D25/121
D327,001 S * 6/1992 Oosterhuis D8/373
D485,610 S * 1/2004 Redetzke D23/411
D489,808 S * 5/2004 Redetzke D23/411
D510,831 S * 10/2005 Schmidt et al. D6/510
D510,832 S * 10/2005 Schmidt et al. D6/561
D536,105 S * 1/2007 Cochrane D25/121
D547,636 S * 7/2007 Bartrom D8/351
D556,976 S * 12/2007 Liautaud et al. D17/21

1 Claim, 5 Drawing Sheets



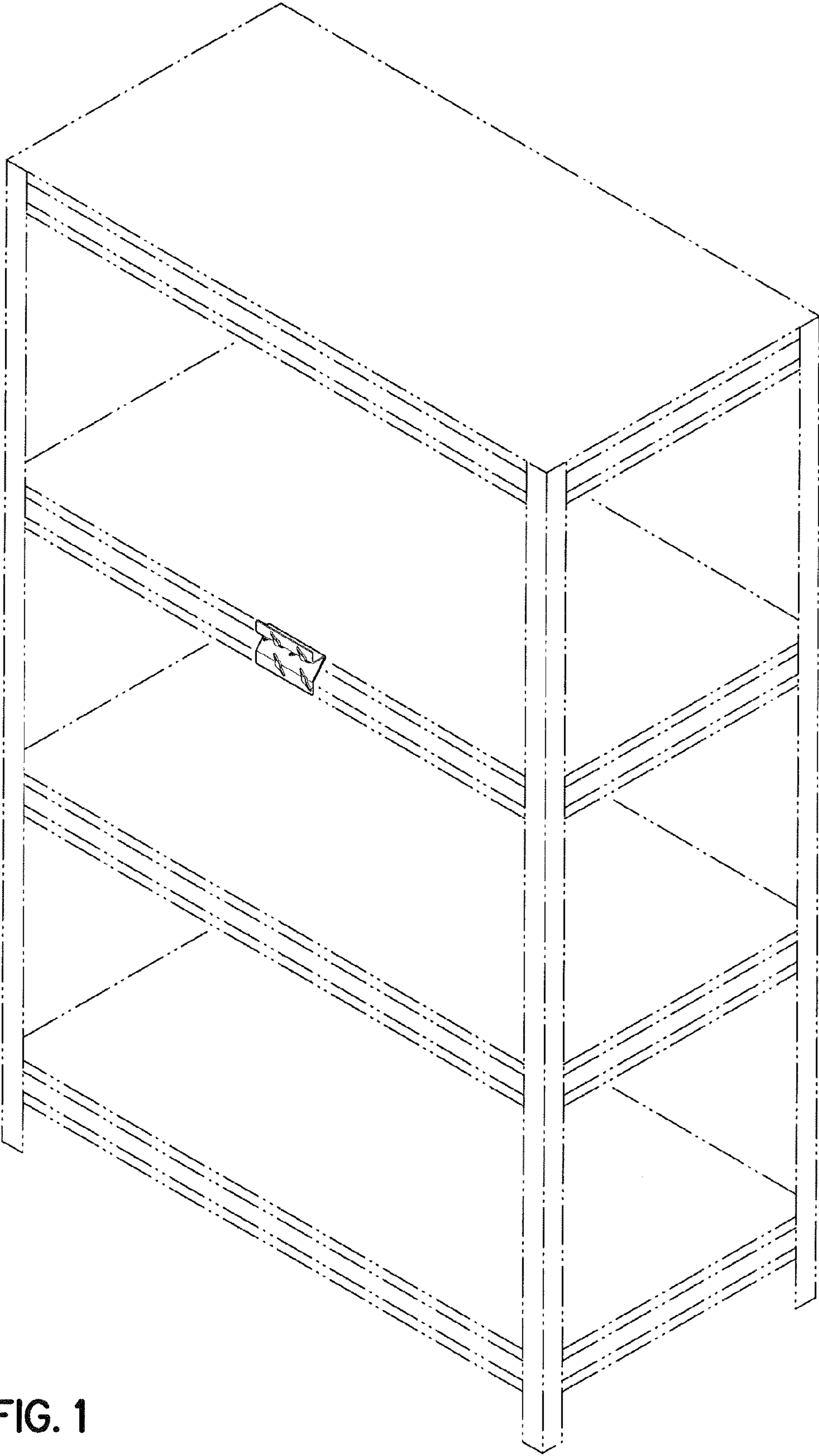


FIG. 1

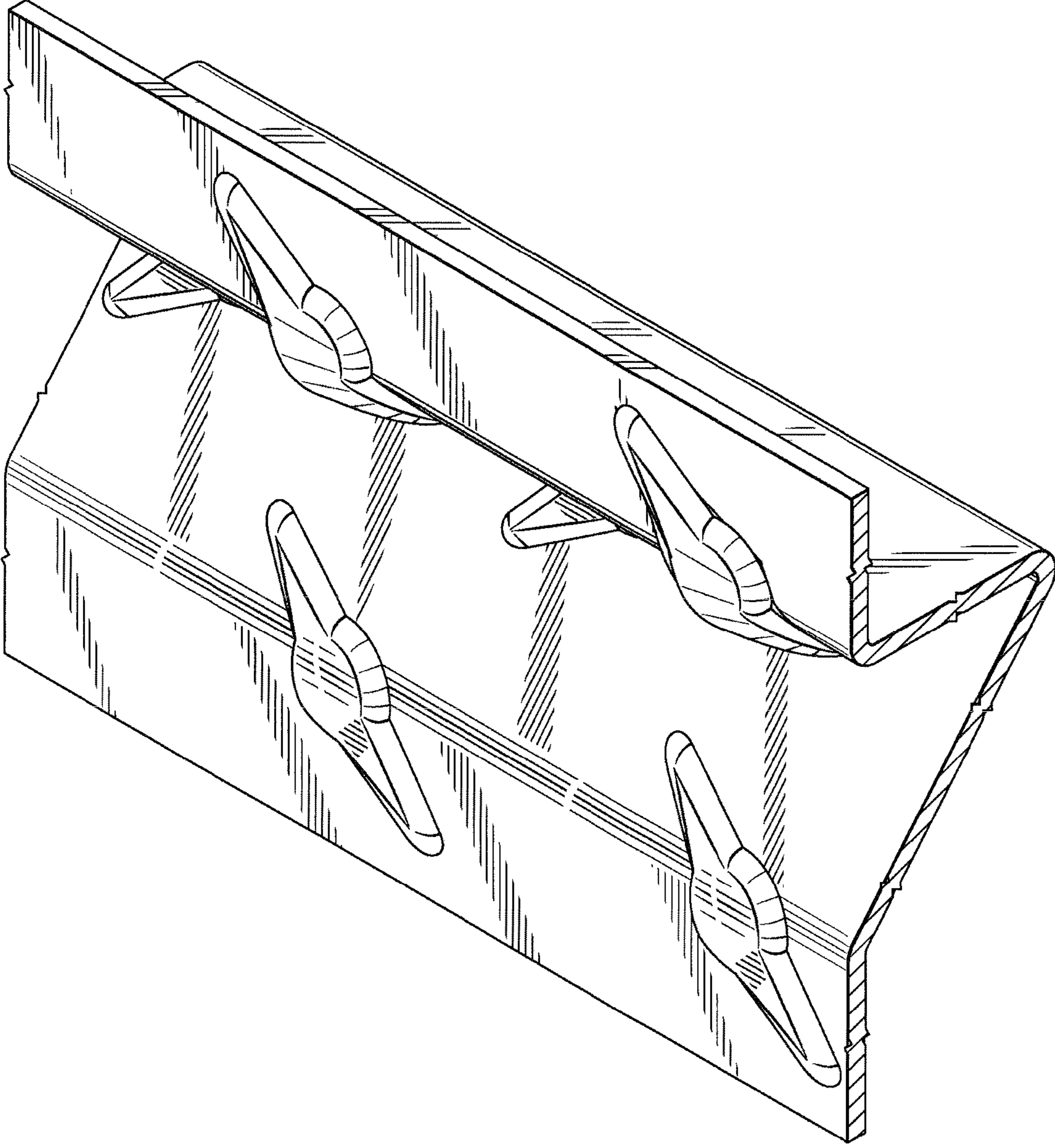


FIG. 2

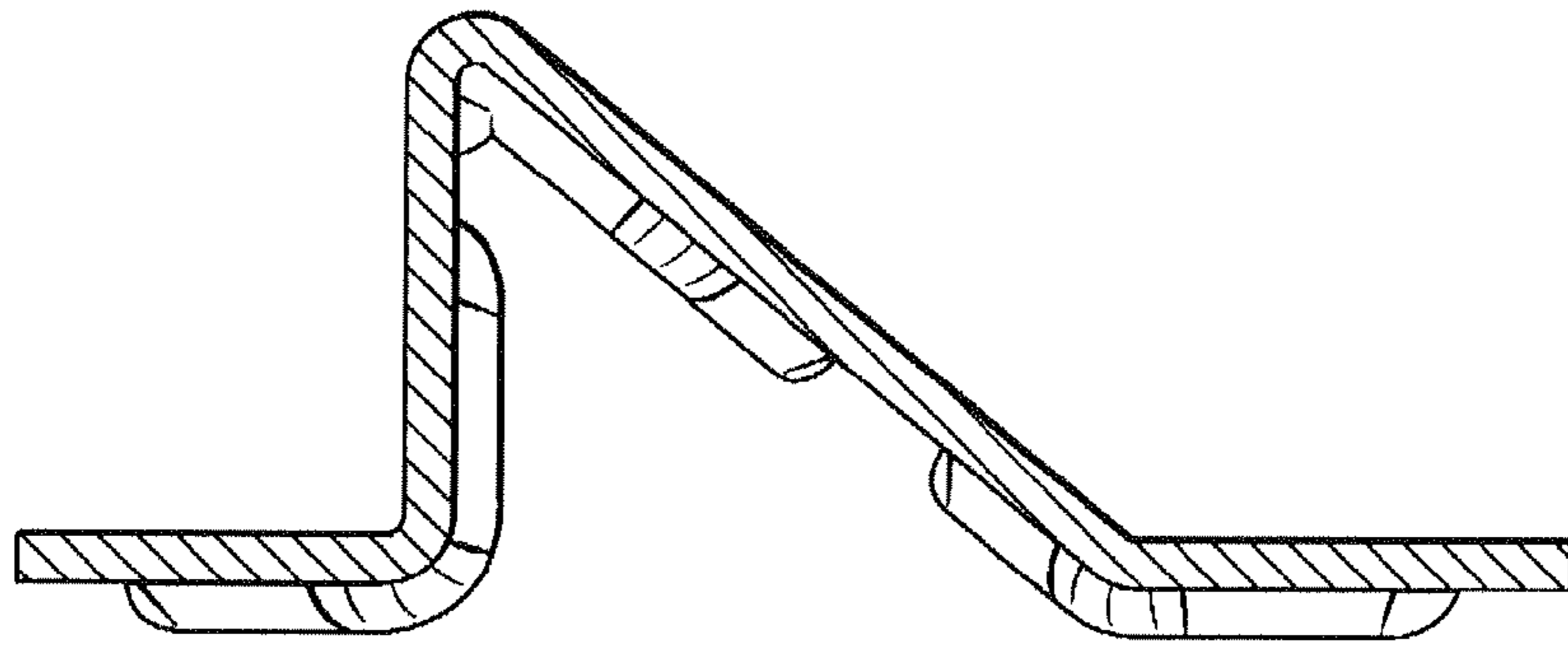


FIG. 4

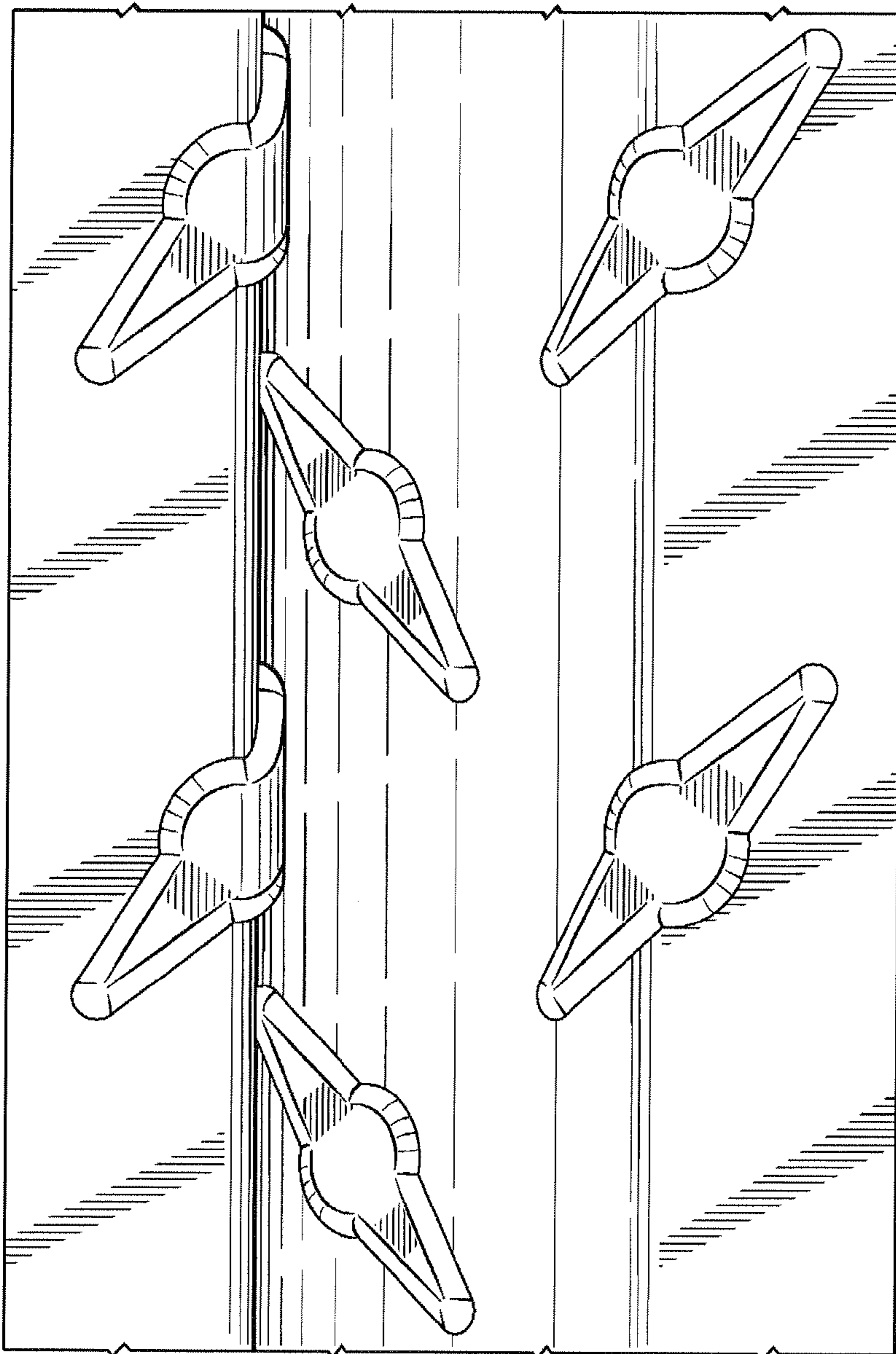


FIG. 3

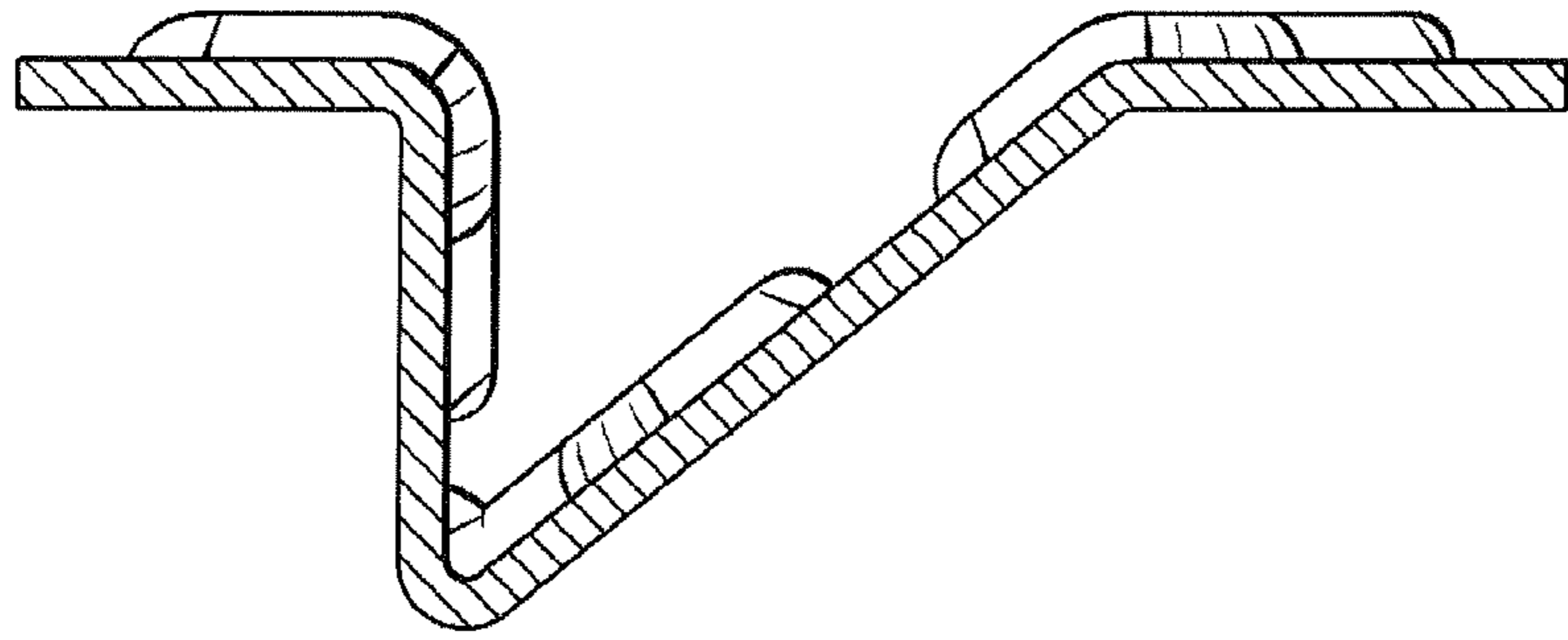


FIG. 6

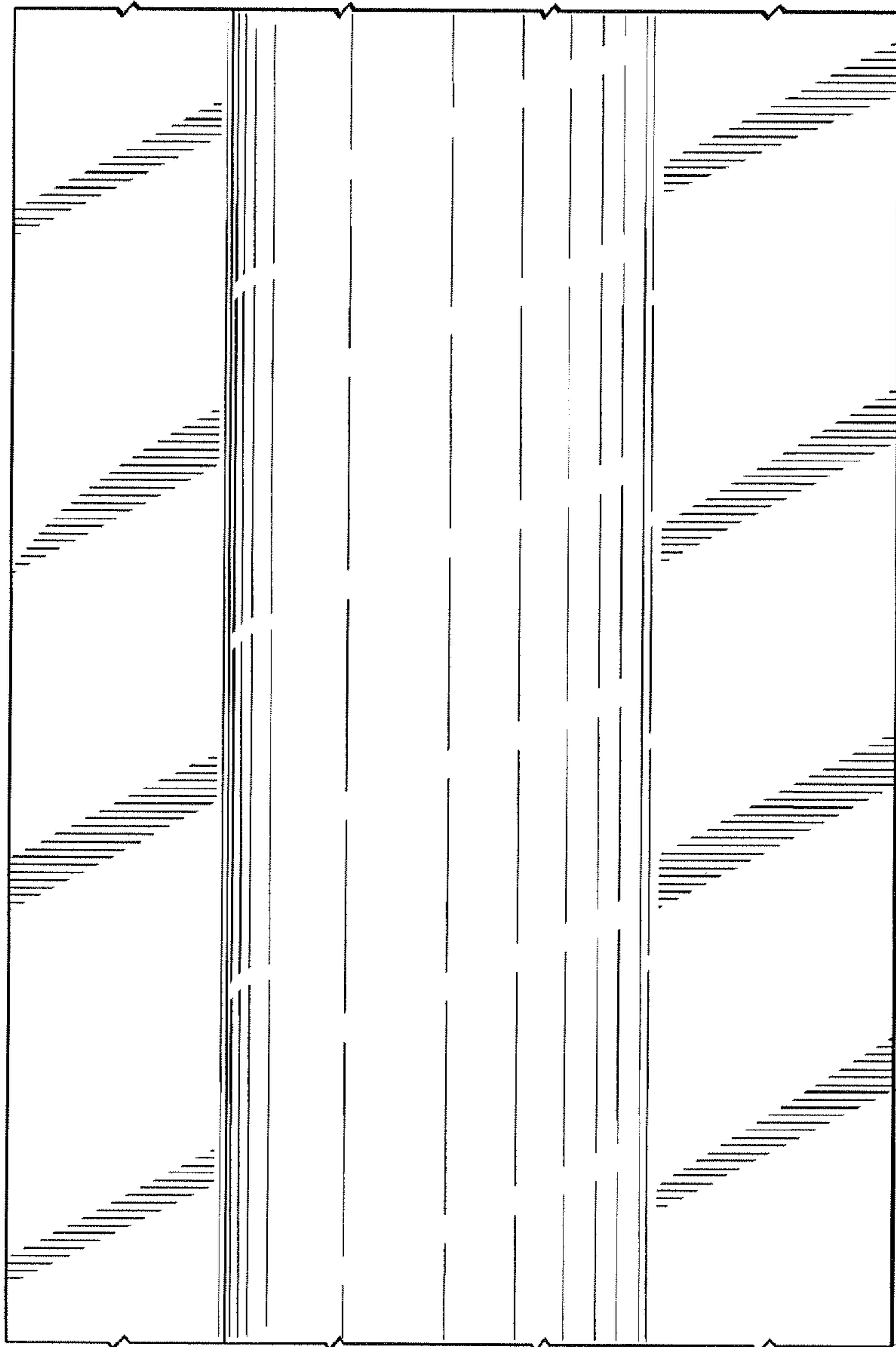


FIG. 5

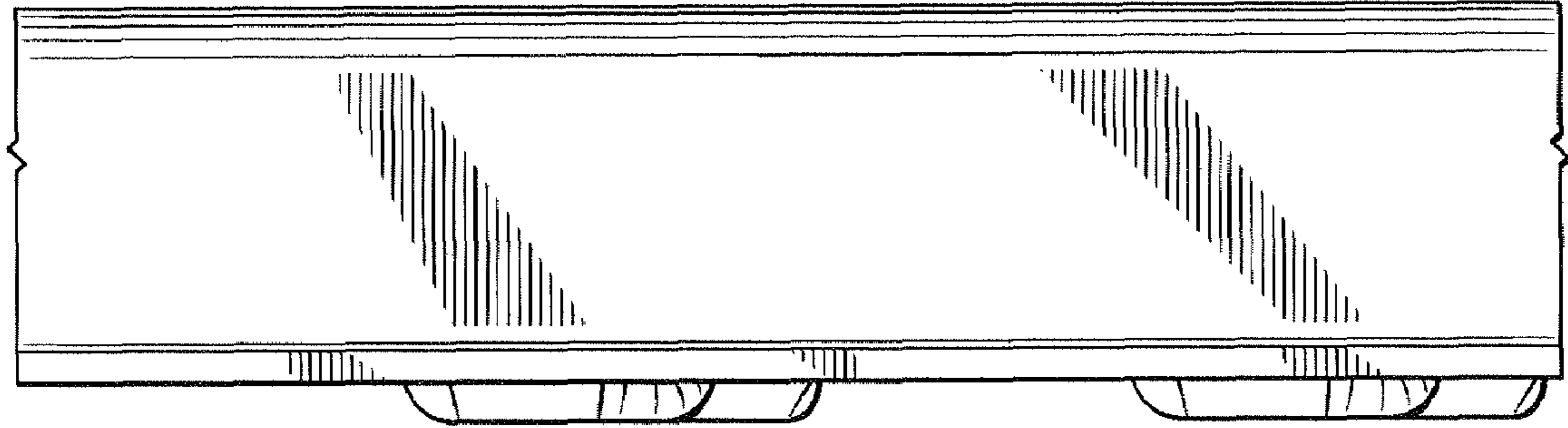


FIG. 7

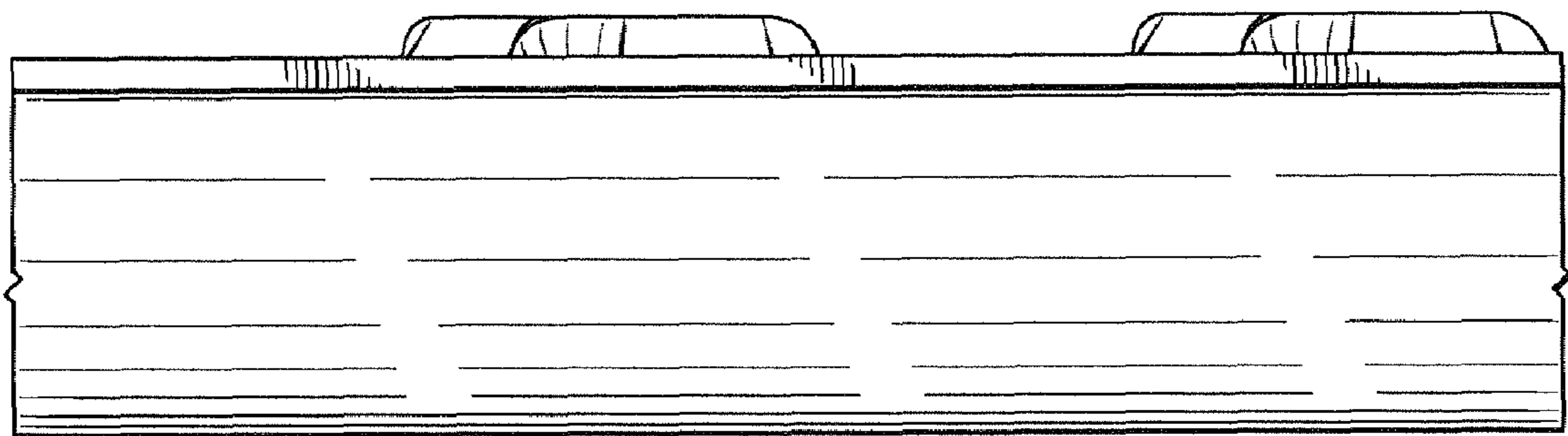


FIG. 8