



US00D585681S

(12) **United States Design Patent**
Liss et al.

(10) **Patent No.:** **US D585,681 S**
(45) **Date of Patent:** **** Feb. 3, 2009**

(54) **PORTION OF AN EMBOSSED SHELF EDGE
IN SHELF UNIT**

(75) Inventors: **Mitchell Liss**, Northbrook, IL (US);
Tony Troyner, Shorewood, IL (US);
Thomas St. Germain, Bridgeview, IL
(US); **David Wojtowicz**, Orland Park, IL
(US)

(73) Assignee: **Edsal Manufacturing Co., Inc.**,
Chicago, IL (US)

(**) Term: **14 Years**

(21) Appl. No.: **29/296,560**

(22) Filed: **Oct. 23, 2007**

(51) **LOC (9) Cl.** **06-04**

(52) **U.S. Cl.** **D6/509**

(58) **Field of Classification Search** D6/509,
D6/511, 561, 582, 583, 510; D8/349, 354,
D8/373, 380, 382; D25/119-125, 138, 411;
D5/53, 58, 59, 60; 403/402; 248/281.1;
211/88, 90, 126, 134, 135, 187; D12/193
See application file for complete search history.

(56) **References Cited**

U.S. PATENT DOCUMENTS

2,843,953	A	*	7/1958	McCanless	40/591
D260,039	S	*	7/1981	de Ruiter	D25/121
D312,039	S	*	11/1990	Smith	D8/373
D327,001	S	*	6/1992	Oosterhuis	D8/373
D474,563	S	*	5/2003	Bresciani	D29/109
D503,840	S	*	4/2005	Schmidt et al.	D34/27
D512,733	S	*	12/2005	Schmidt et al.	D15/91
D517,574	S	*	3/2006	Schmidt et al.	D15/91
D518,984	S	*	4/2006	Schmidt et al.	D6/510
D520,784	S	*	5/2006	Schmidt et al.	D6/510
D521,285	S	*	5/2006	Schmidt et al.	D6/510
D523,036	S	*	6/2006	Schmidt et al.	D15/91
D536,105	S	*	1/2007	Cochrane	D25/121
D536,713	S	*	2/2007	Schmidt et al.	D15/91
D544,259	S	*	6/2007	Schmidt et al.	D6/510

D547,636	S	*	7/2007	Bartrom	D8/351
D551,883	S	*	10/2007	Gaska et al.	D6/510
D556,976	S	*	12/2007	Liataud et al.	D17/21
D560,404	S	*	1/2008	Tseng et al.	D6/492
D561,506	S	*	2/2008	Gaska et al.	D6/510
D563,699	S	*	3/2008	Schmidt et al.	D6/510
D569,143	S	*	5/2008	Liss et al.	D6/511
D571,133	S	*	6/2008	Liss et al.	D6/511
D571,589	S	*	6/2008	Liss et al.	D6/511
D572,053	S	*	7/2008	Liss et al.	D6/509
D572,054	S	*	7/2008	Liss et al.	D6/509

* cited by examiner

Primary Examiner—Cathron C Brooks

Assistant Examiner—Austin Murphy

(74) *Attorney, Agent, or Firm*—Wood, Herron & Evans, LLP

(57) **CLAIM**

The ornamental design for a portion of an embossed shelf edge in shelf unit, as shown and described.

DESCRIPTION

FIG. 1 is an isometric view of a portion of an embossed shelf edge unit;

FIG. 2 is an enlarged perspective view of a portion of the shelf edge of FIG. 1;

FIG. 3 is a front view of the design of FIG. 1;

FIG. 4 is a right side view of the design of FIG. 3;

FIG. 5 is a rear view of the design of FIG. 3;

FIG. 6 is a left side view of the design of FIG. 5;

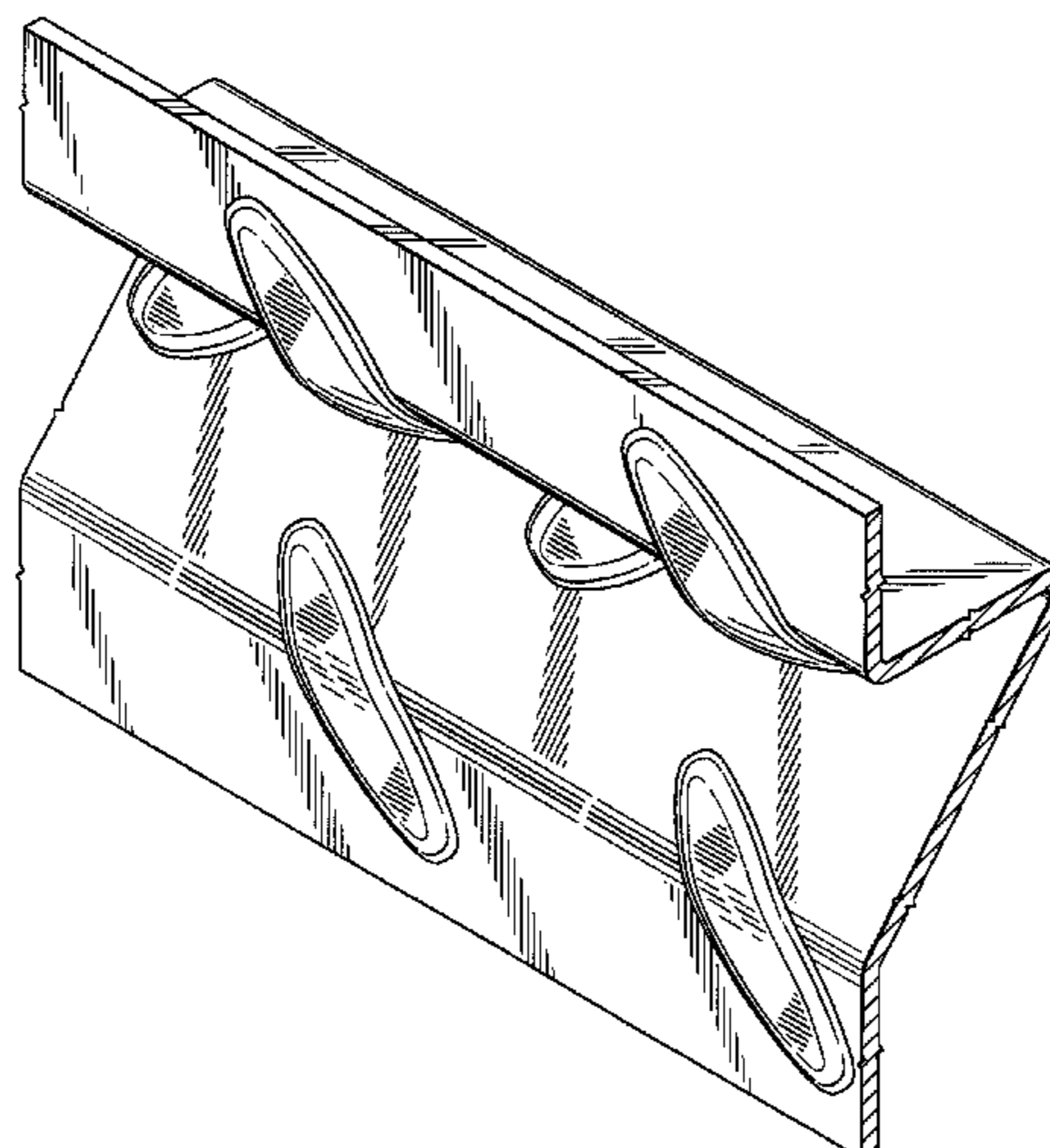
FIG. 7 is a top view of the design of FIG. 2; and,

FIG. 8 is a bottom view of the design of FIG. 7.

The broken lines shown in FIG. 1 form no part of the claimed design.

The break lines shown at the edges of the claimed design indicate a non-specified length and form no part of the claimed design. It is understood that the embossed pattern repeats uniformly across the surface to which it is applied.

1 Claim, 5 Drawing Sheets



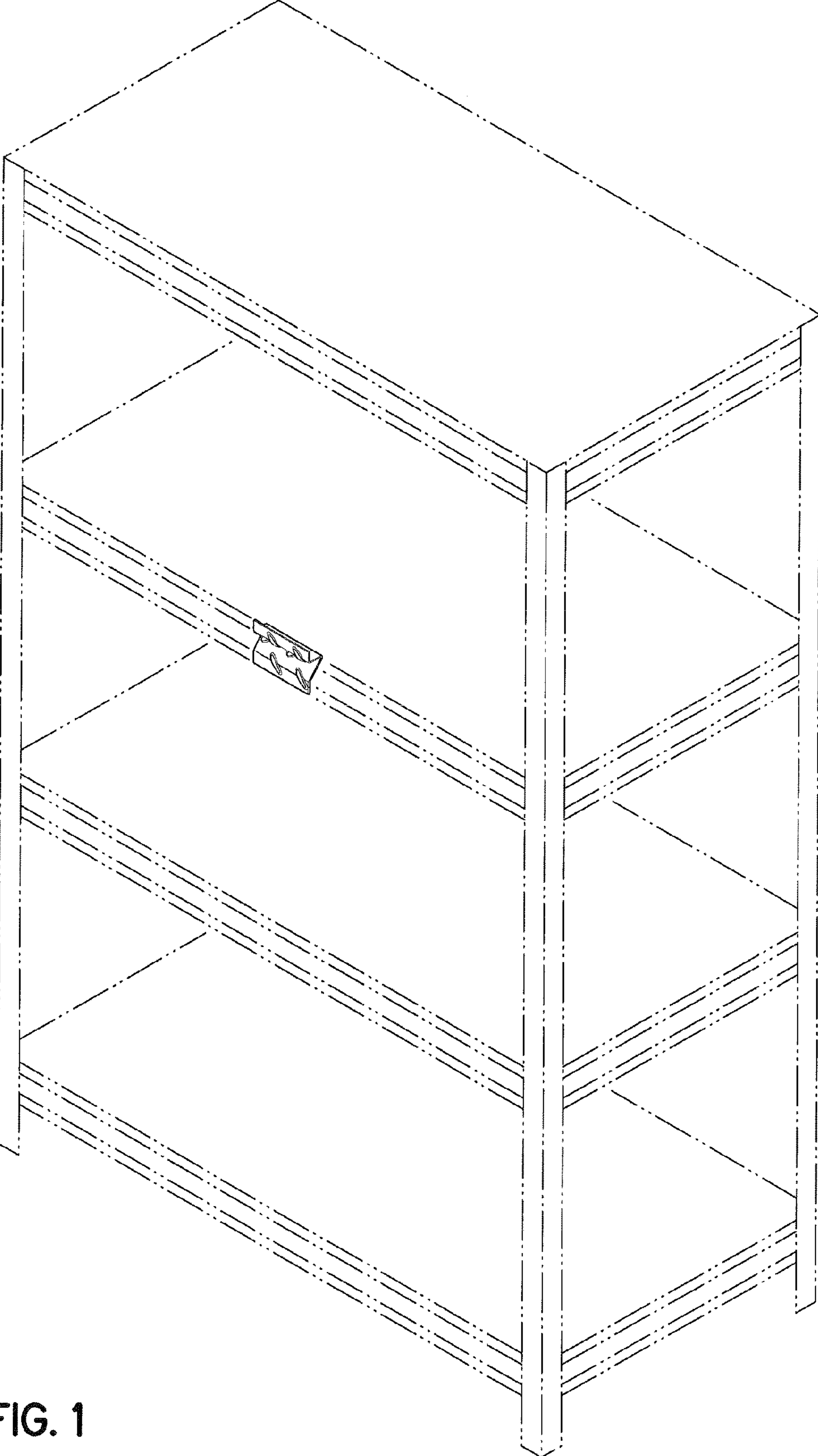


FIG. 1

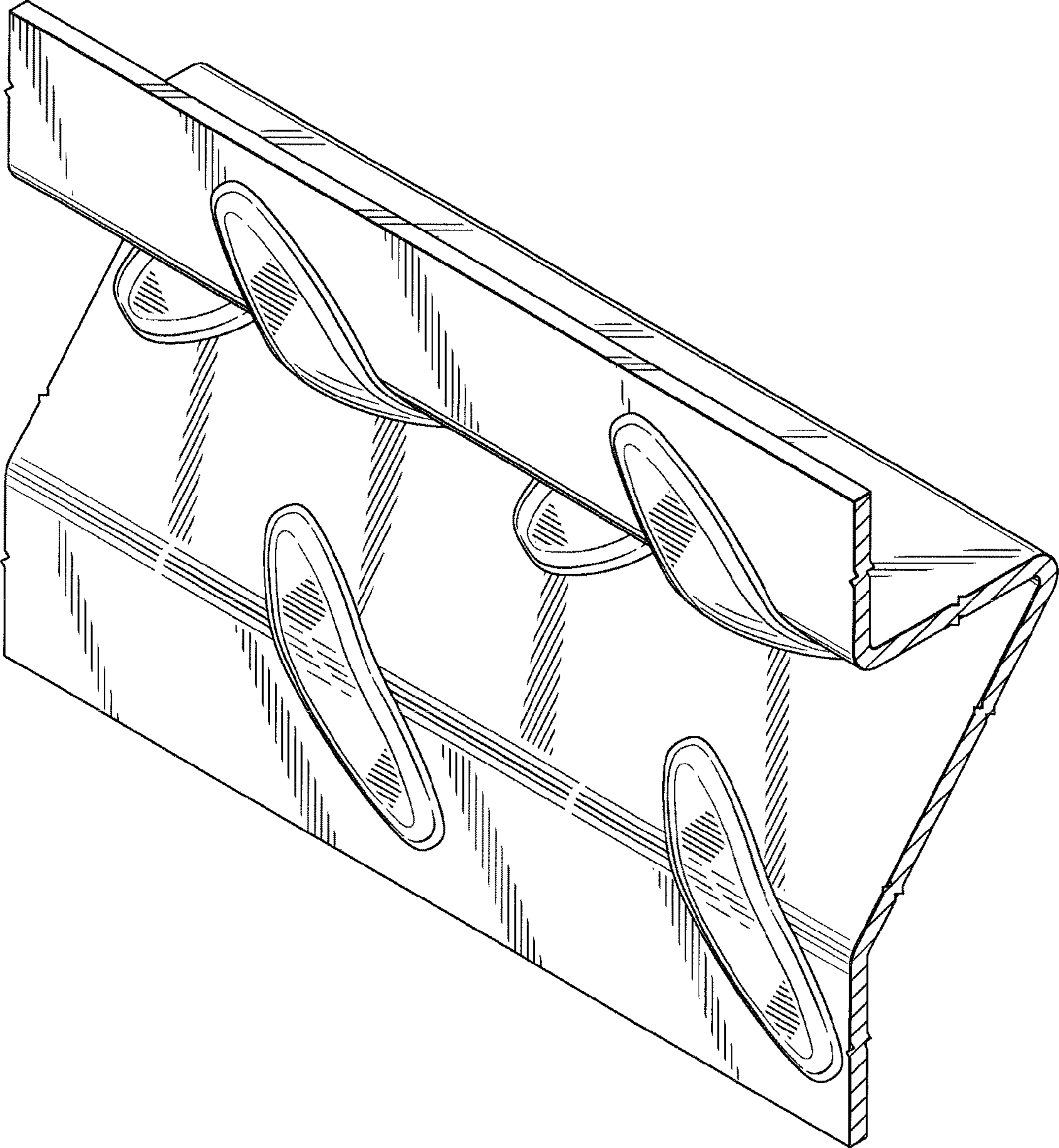


FIG. 2

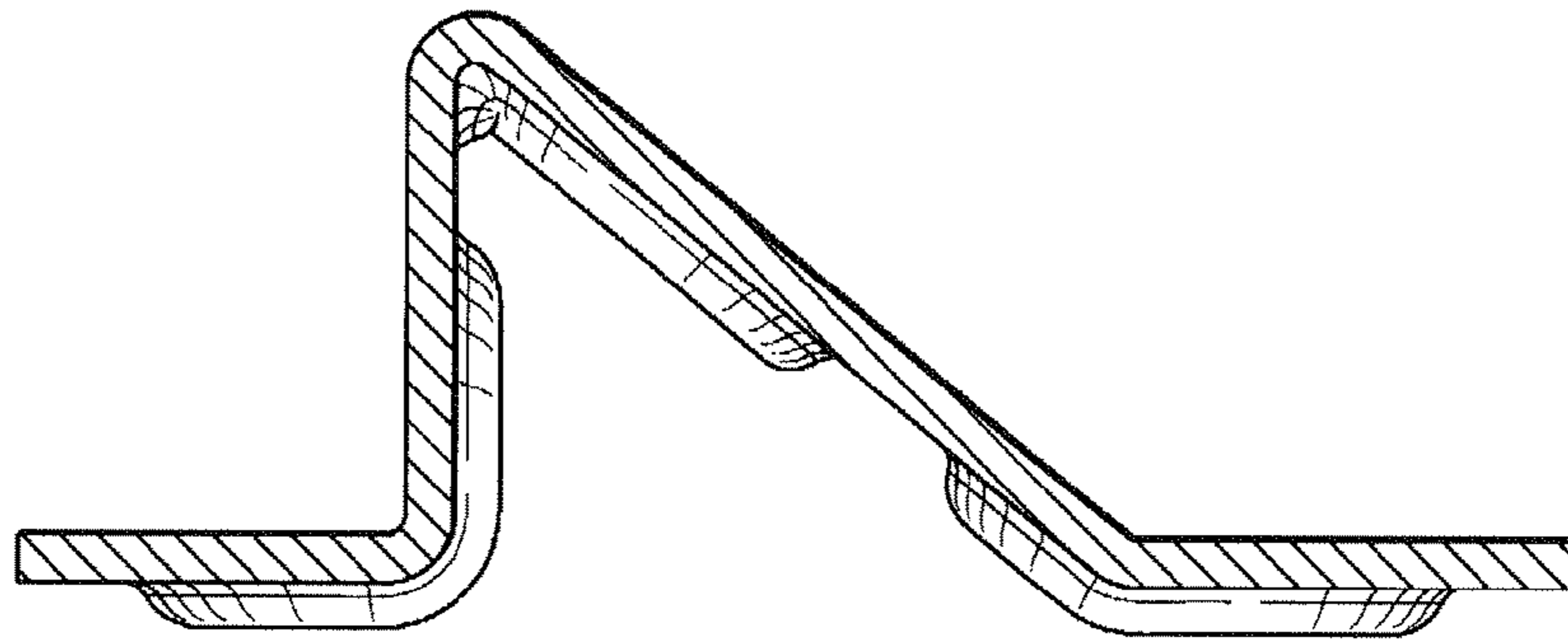


FIG. 4

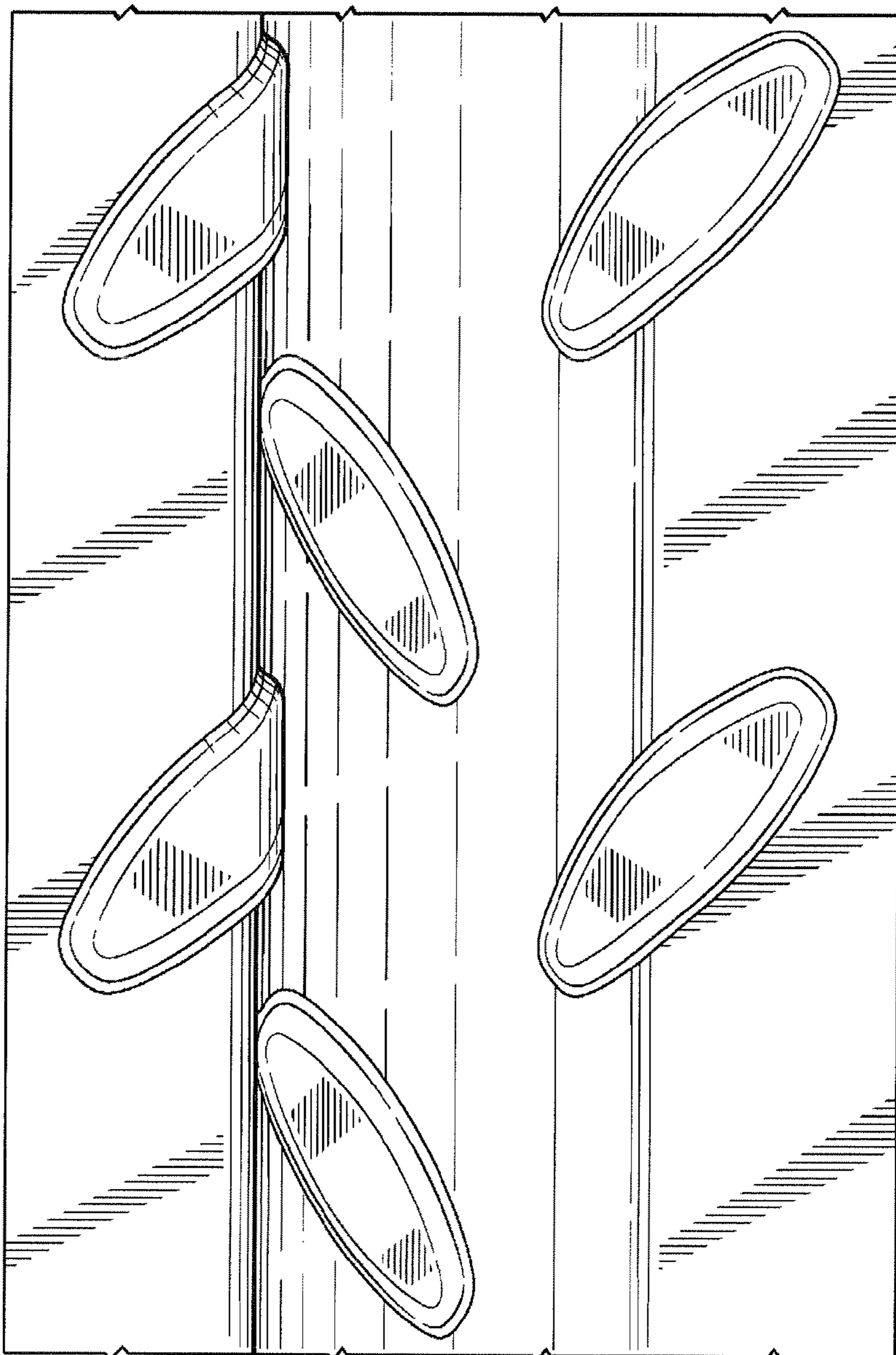


FIG. 3

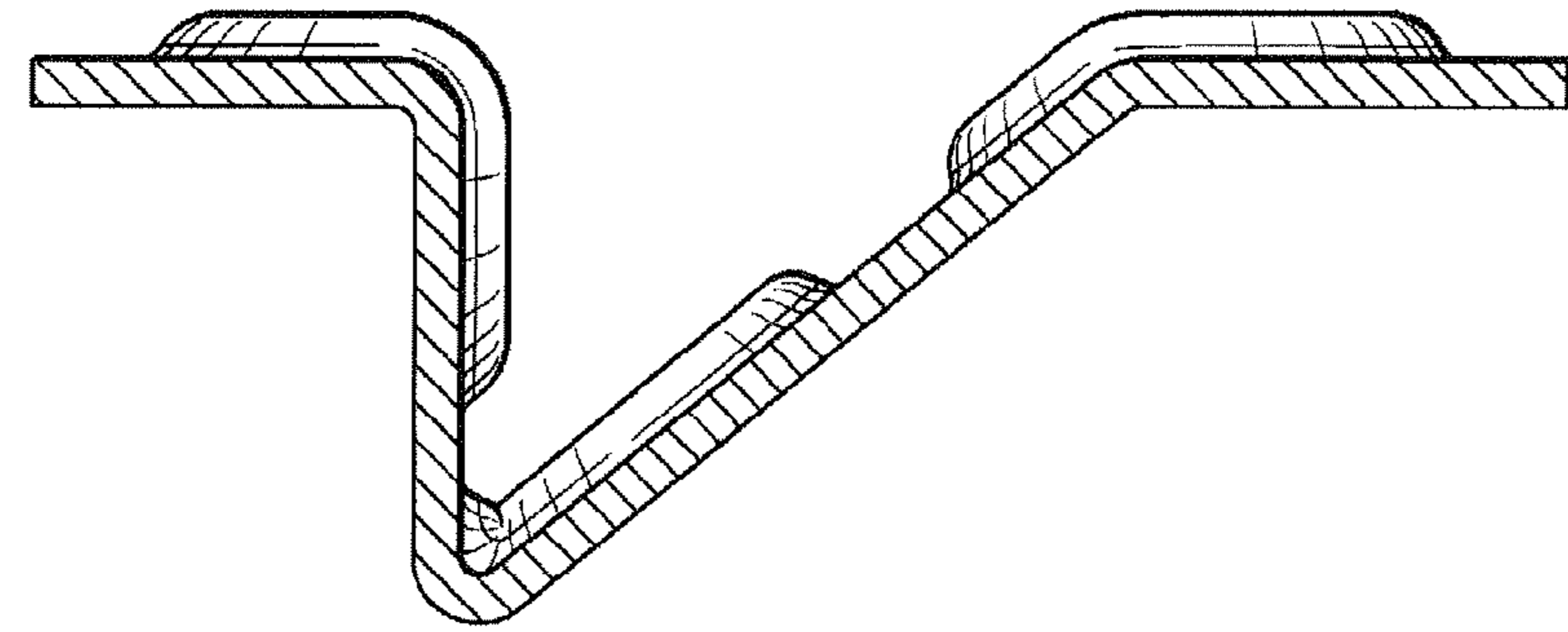


FIG. 6

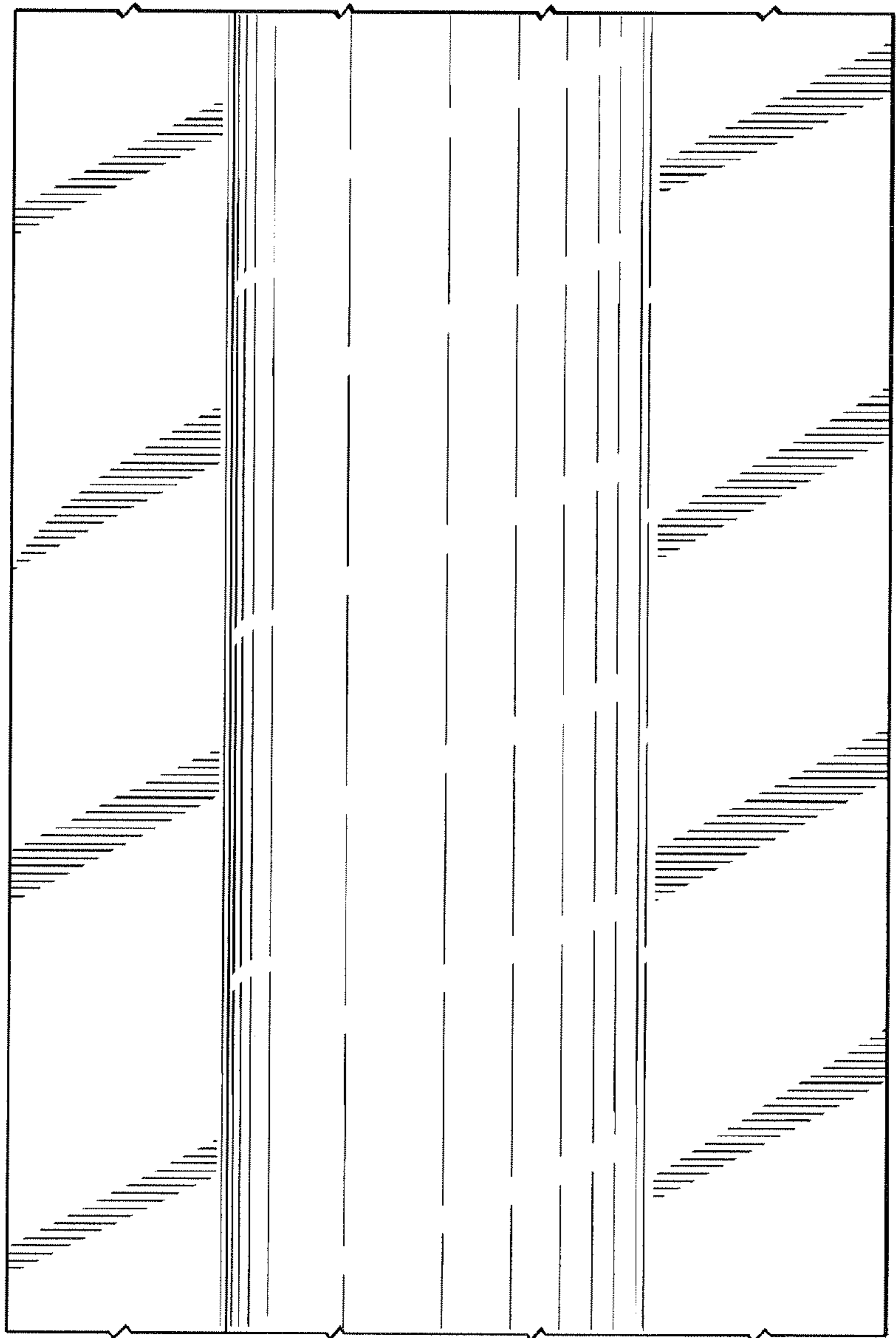


FIG. 5

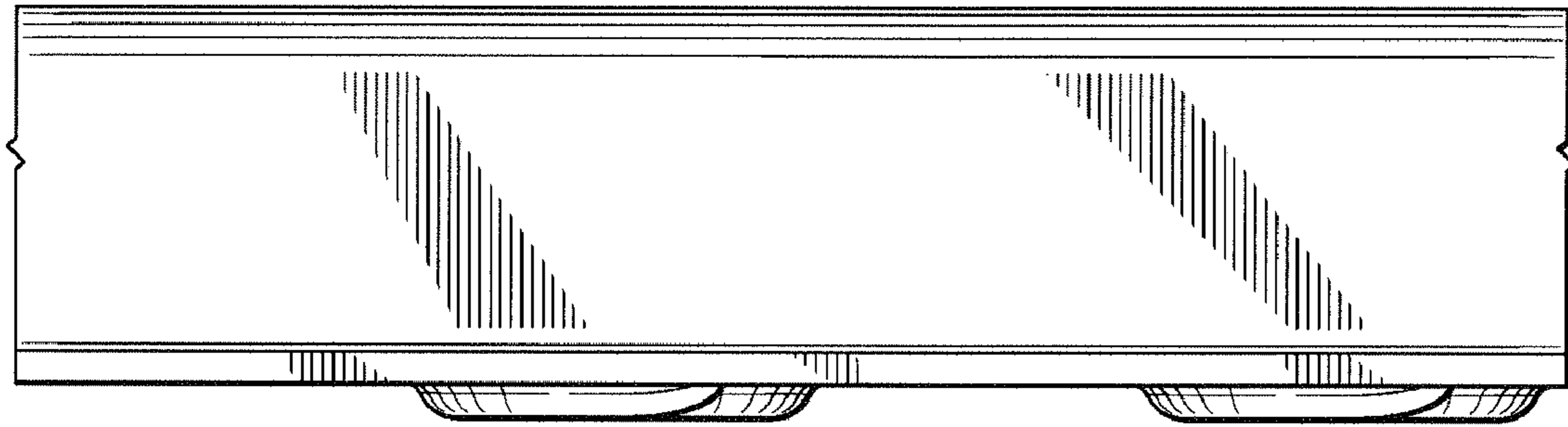


FIG. 7

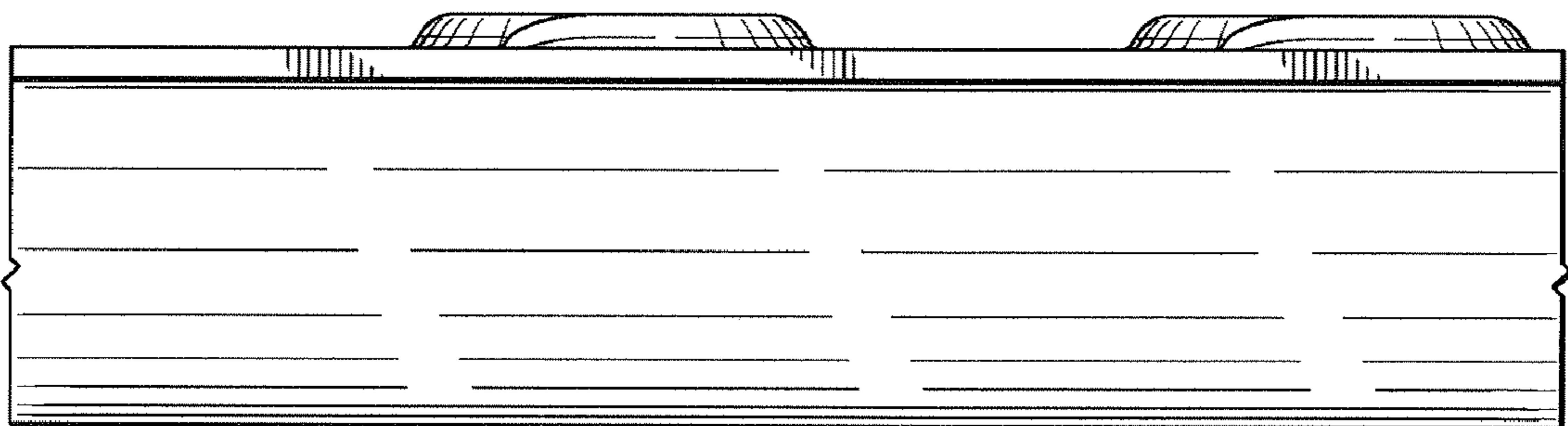


FIG. 8