



US00D585678S

(12) **United States Design Patent**
Thomas et al.

(10) **Patent No.:** **US D585,678 S**
(45) **Date of Patent:** **** Feb. 3, 2009**

(54) **TOP RAIL FOR A PLAYARD**

(75) Inventors: **Wes Thomas**, Kenosha, WI (US); **Ken Zorovich**, Hoboken, NJ (US); **Yos Kumthampinij**, Edgewater, NJ (US)

(73) Assignee: **Kolcraft Enterprises, Inc.**, Chicago, IL (US)

(**) Term: **14 Years**

(21) Appl. No.: **29/302,907**

(22) Filed: **Jan. 28, 2008**

(51) **LOC (9) Cl.** **06-06**

(52) **U.S. Cl.** **D6/503; D6/331**

(58) **Field of Classification Search** D6/390,
D6/391, 333, 385, 503, 505-508, 331; 5/93.1,
5/93.2, 98.2, 99.1, 101, 105
See application file for complete search history.

(56) **References Cited**

U.S. PATENT DOCUMENTS

2,401,605	A *	6/1946	Boren	5/97
2,475,775	A *	7/1949	Boren	5/93.1
3,135,973	A	6/1964	Spencer		
3,299,450	A	1/1967	Gottfried et al.		
3,383,718	A	5/1968	Spencer		
D292,952	S *	12/1987	Mercurio	D6/388
4,811,437	A	3/1989	Ziegler		
5,381,570	A	1/1995	Cheng		
5,560,055	A	10/1996	Ziegler		
5,615,427	A	4/1997	Huang		
D382,725	S *	8/1997	Hahn	D6/390
5,991,944	A	11/1999	Yang		

D432,339	S	10/2000	Cromer, III
D467,758	S	12/2002	Hartenstine
6,510,570	B2	1/2003	Hartenstine
6,550,082	B2	4/2003	Tharalson
6,735,796	B2	5/2004	Warner
D494,393	S	8/2004	Chen
7,043,779	B2	5/2006	Mendenhall
7,055,191	B1	6/2006	Chen
7,228,575	B2	6/2007	Chen
7,343,634	B2	3/2008	Song
2008/0022457	A1	1/2008	Wu

* cited by examiner

Primary Examiner—Janice E Seeger

(74) *Attorney, Agent, or Firm*—Hanley, Flight & Zimmerman, LLC

(57) **CLAIM**

The ornamental design for a top rail for a playard, as shown and described.

DESCRIPTION

FIG. 1 is a left, front perspective view of a top rail for a playard.

FIG. 2 is a front view of the design of FIG. 1.

FIG. 3 is a rear view of the design of FIG. 1.

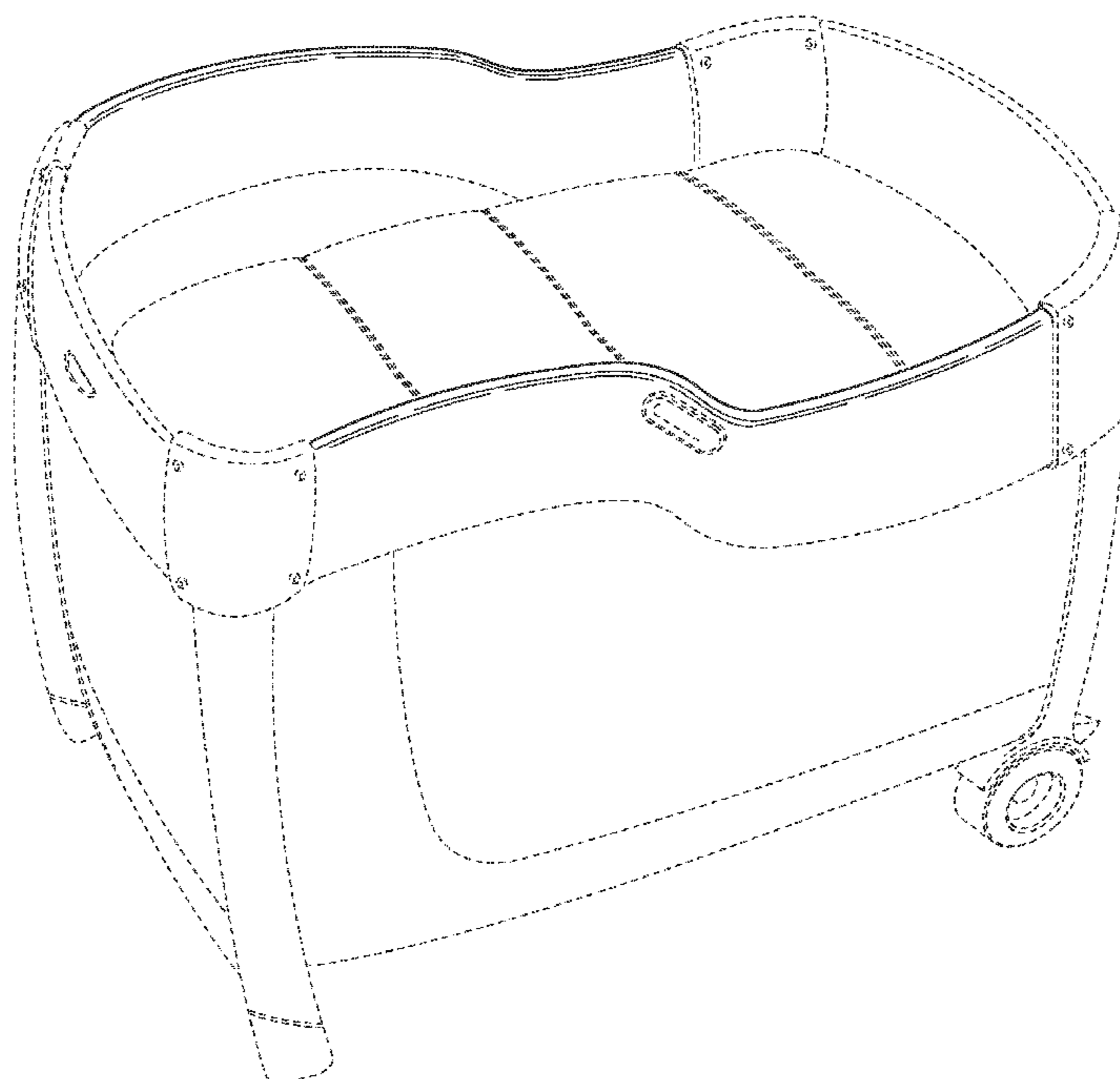
FIG. 4 is a right side view of the design of FIG. 1.

FIG. 5 is a left side view of the design of FIG. 1; and,

FIG. 6 is a top view of the design of FIG. 1.

The features shown in broken lines are for illustrative purposes only and do not form part of the claimed design.

1 Claim, 6 Drawing Sheets



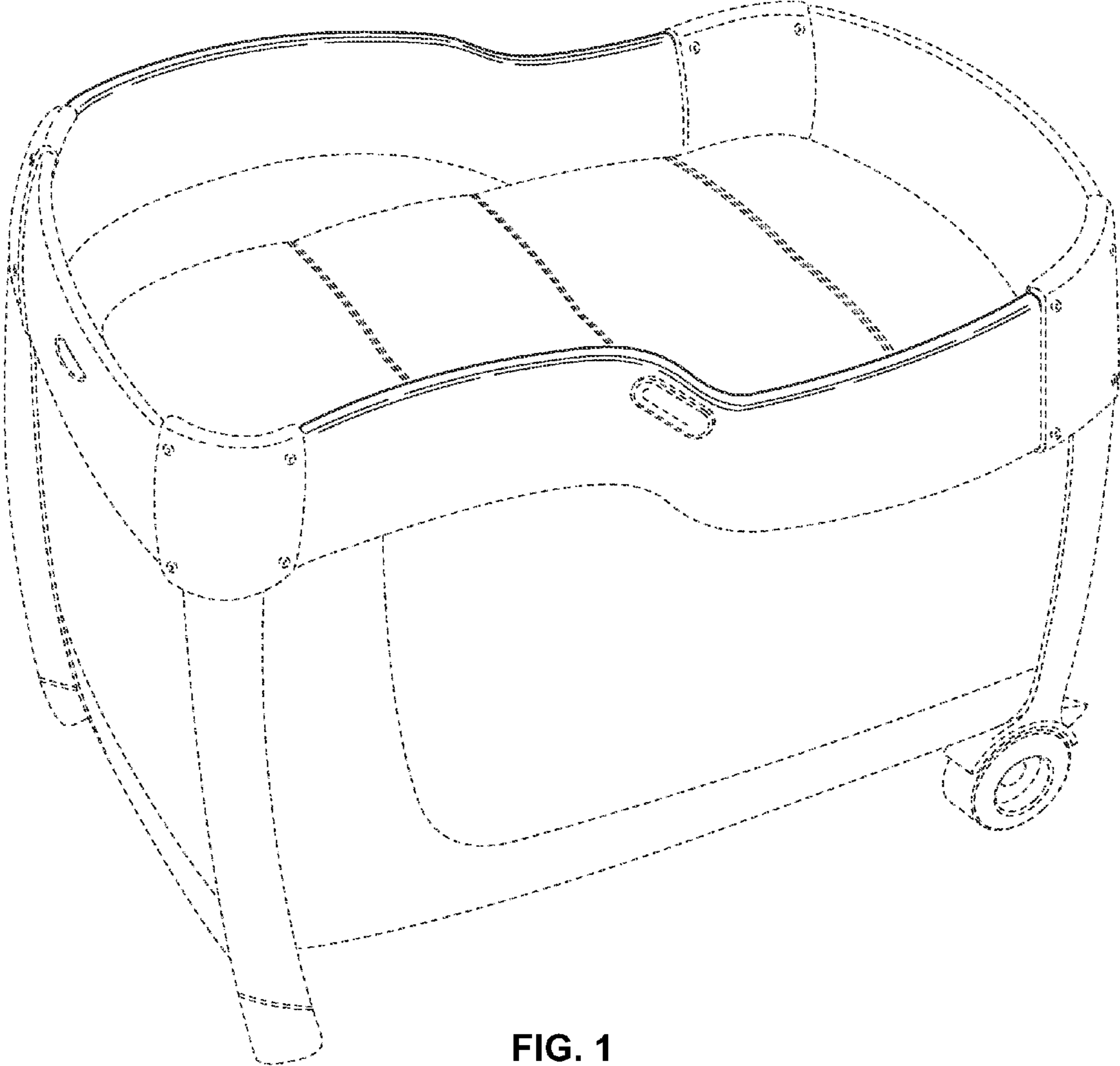


FIG. 1

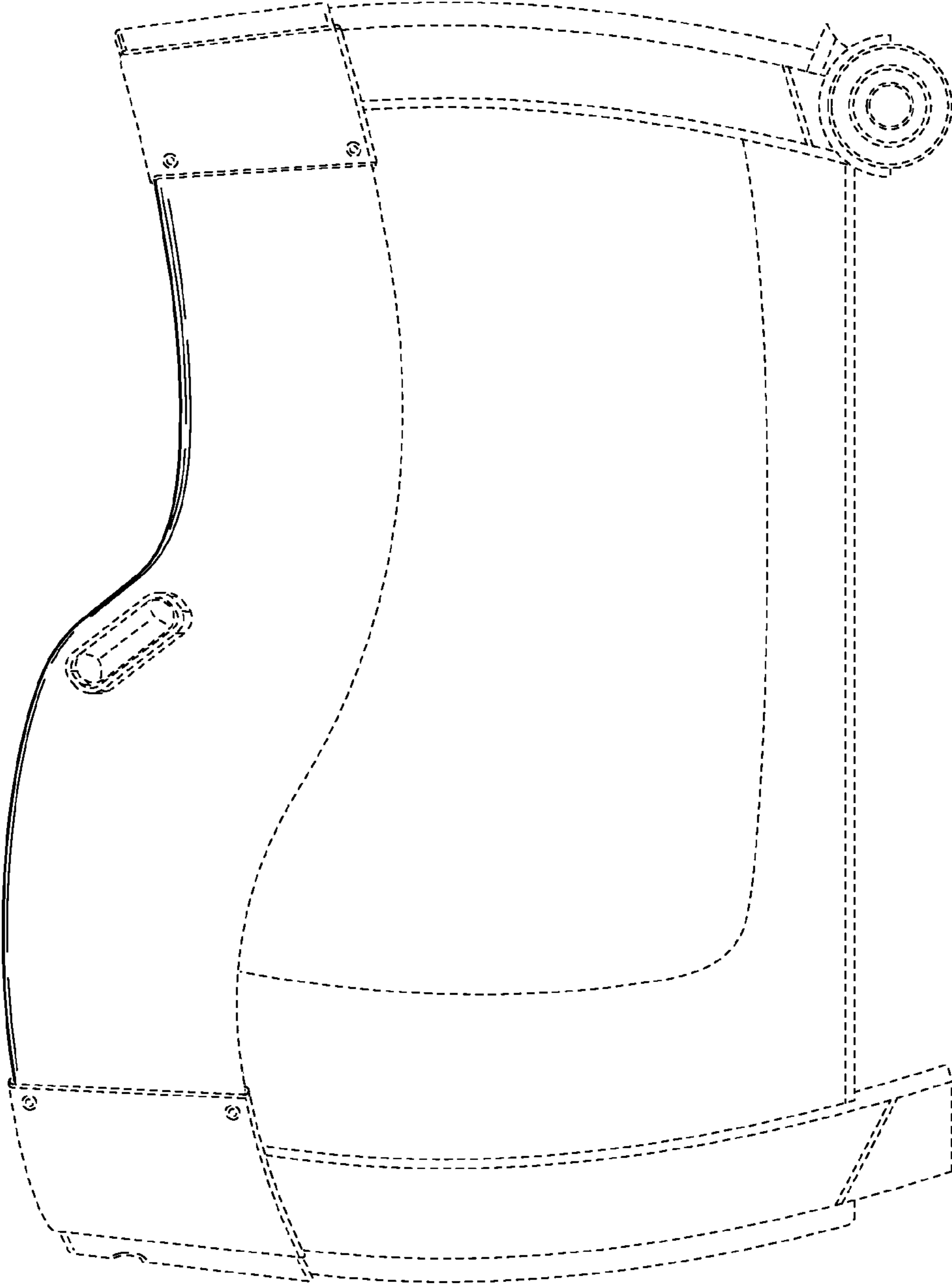


FIG. 2

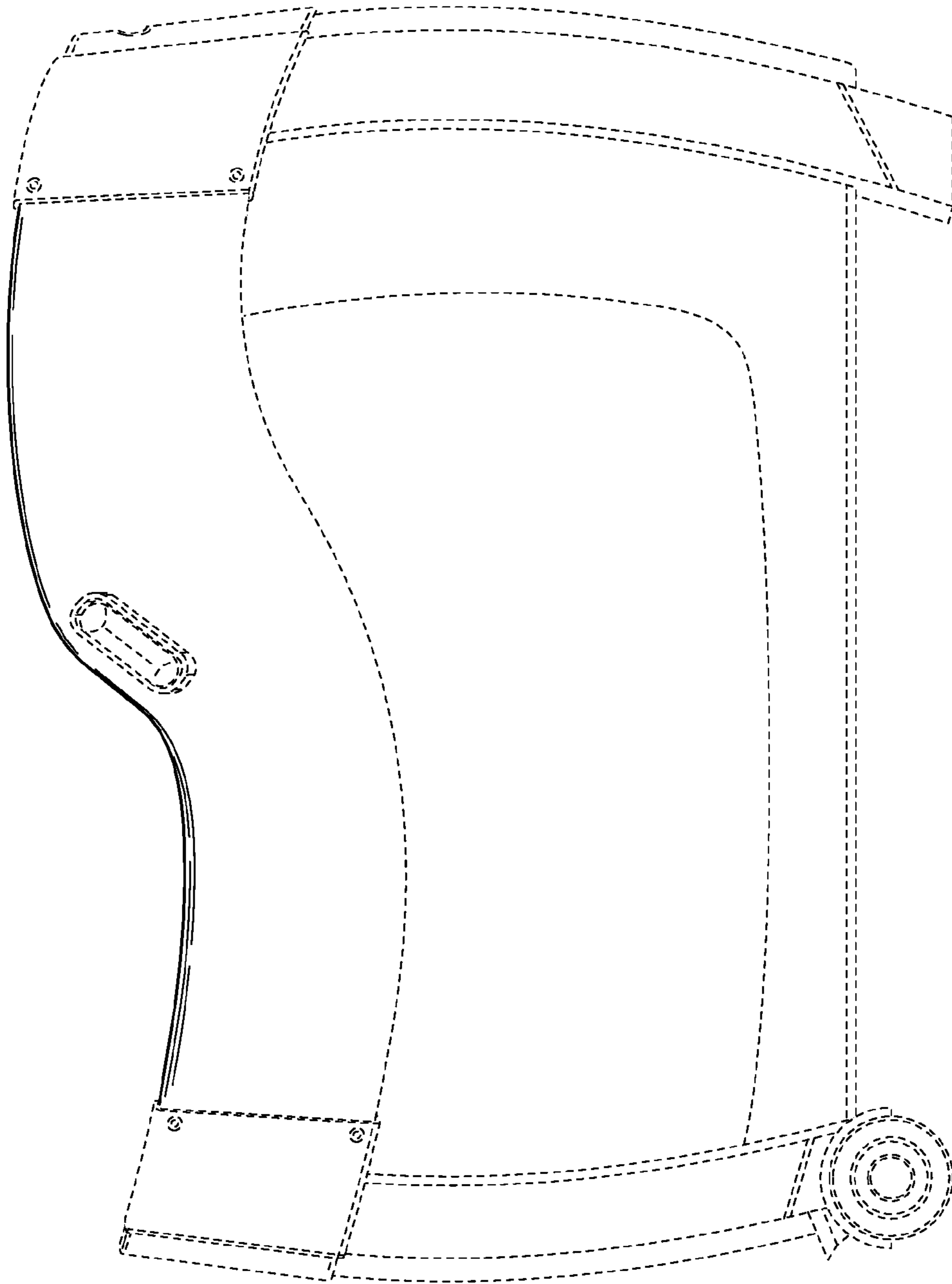


FIG. 3

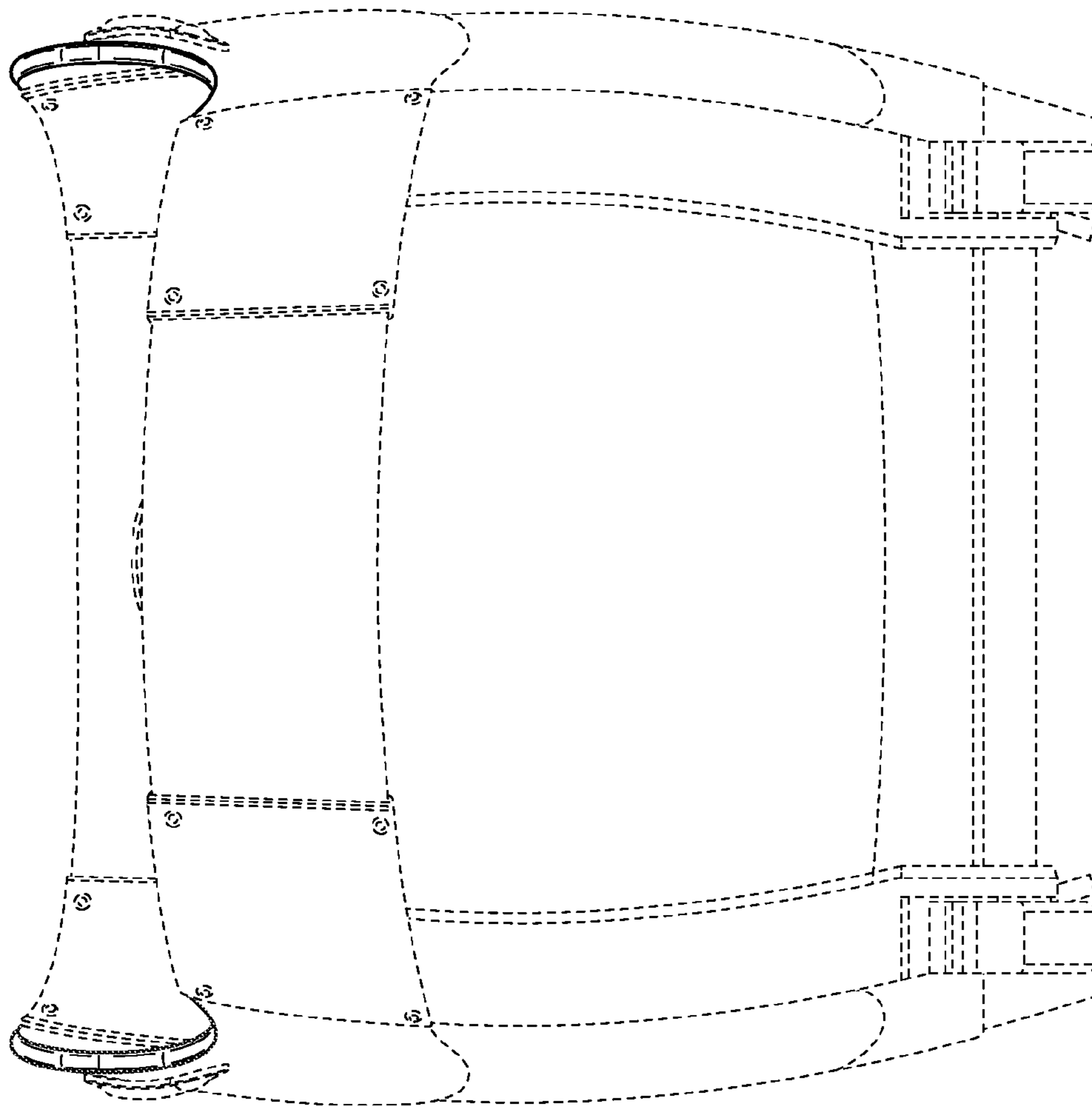


FIG. 4

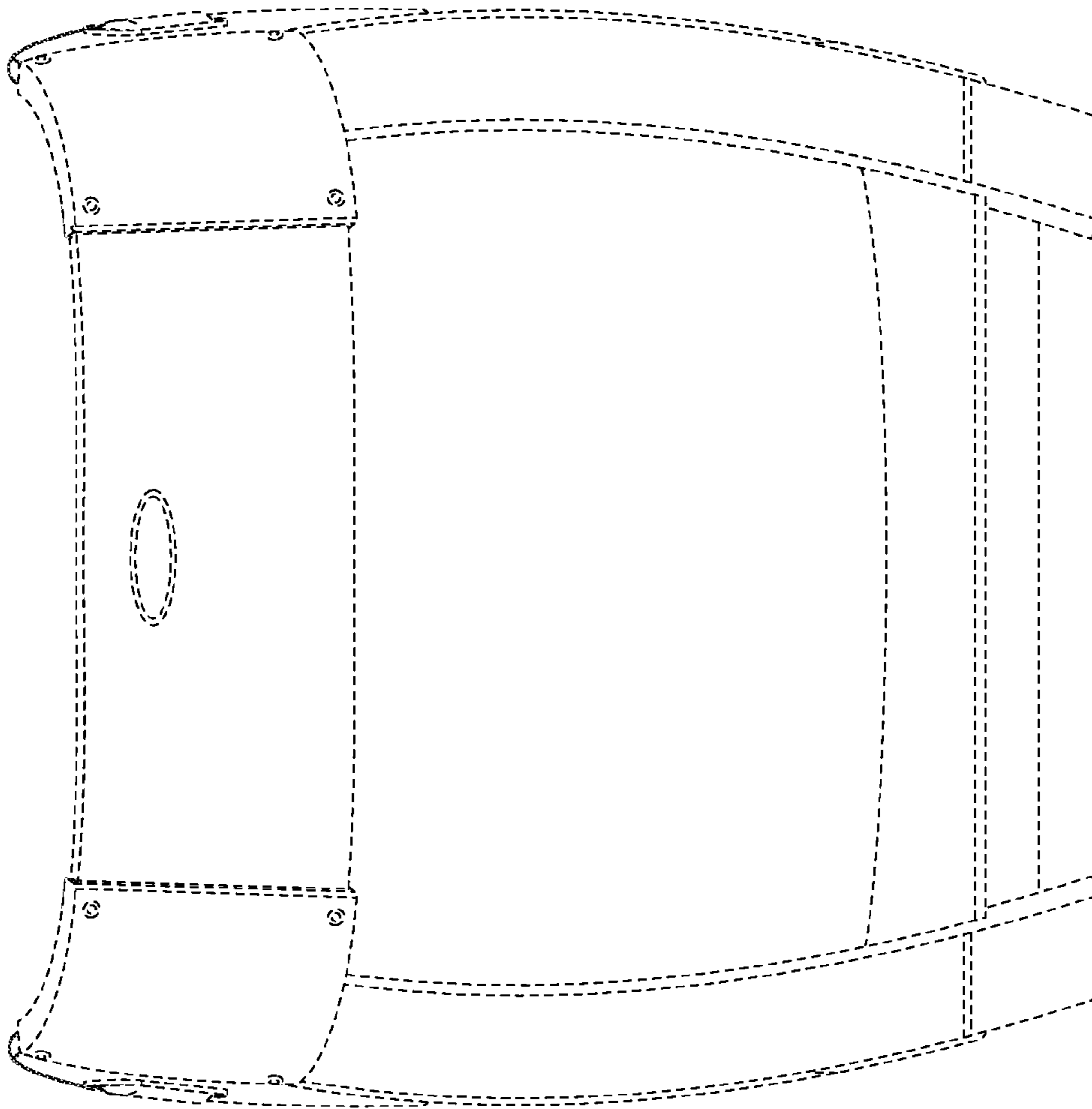


FIG. 5

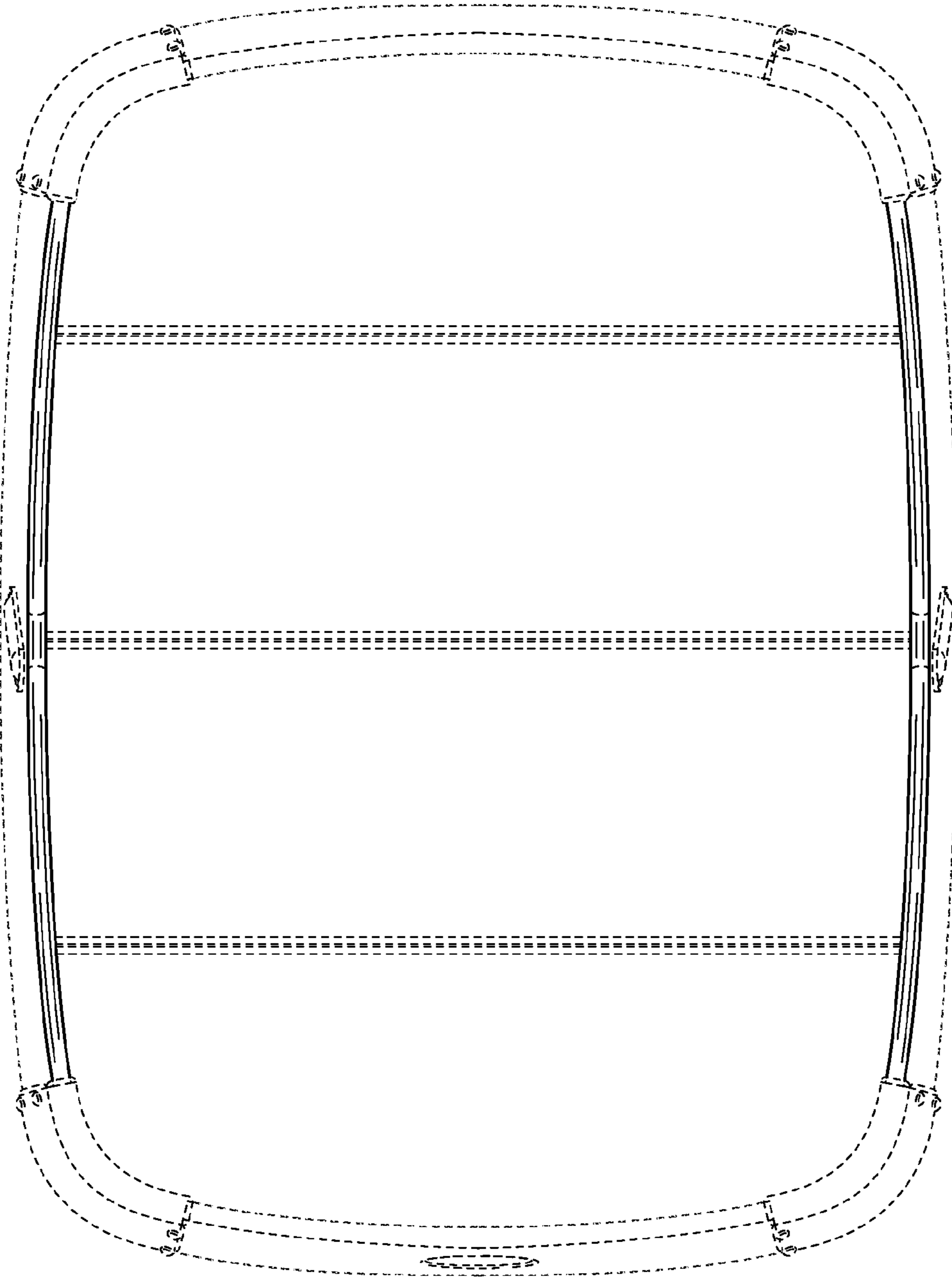


FIG. 6