



US00D585677S

(12) **United States Design Patent**
Zhang

(10) **Patent No.:** **US D585,677 S**
(45) **Date of Patent:** **** Feb. 3, 2009**

- (54) **TRIANGULAR ARMREST**
- (75) Inventor: **Wei Qiang Zhang**, FoShan (CN)
- (73) Assignee: **IGO Furniture (Foshan) Ltd.** (CN)
- (**) Term: **14 Years**
- (21) Appl. No.: **29/318,739**
- (22) Filed: **May 27, 2008**
- (30) **Foreign Application Priority Data**
Jan. 25, 2008 (CN) 2008 3 0040774
- (51) **LOC (9) Cl.** **06-01**
- (52) **U.S. Cl.** **D6/501**
- (58) **Field of Classification Search** D6/334,
D6/364-367, 379, 491, 500-502; 297/411.2,
297/411.27, 411.28, 411.29, 411.37, 463.1
See application file for complete search history.

- (56) **References Cited**
U.S. PATENT DOCUMENTS
D403,185 S * 12/1998 Tseng D6/501
D439,081 S * 3/2001 Goodworth D6/501
D451,319 S * 12/2001 Chi D6/501
D451,321 S * 12/2001 Chi D6/501
D463,176 S * 9/2002 Chi D6/501
D491,400 S * 6/2004 Fu D6/501
D500,614 S * 1/2005 Chen D6/501
D535,129 S * 1/2007 Chen D6/501
D538,079 S * 3/2007 Grove et al. D6/501

- D539,573 S * 4/2007 McDiarmid et al. D6/501
- D543,387 S * 5/2007 Smith D6/501
- D561,503 S * 2/2008 Grove D6/501
- D566,438 S * 4/2008 Tsai D6/501

* cited by examiner

Primary Examiner—Caron Veynar
Assistant Examiner—Abraham Bahta
(74) *Attorney, Agent, or Firm*—Mark G. Pannell; Hanes & Schutz, LLC

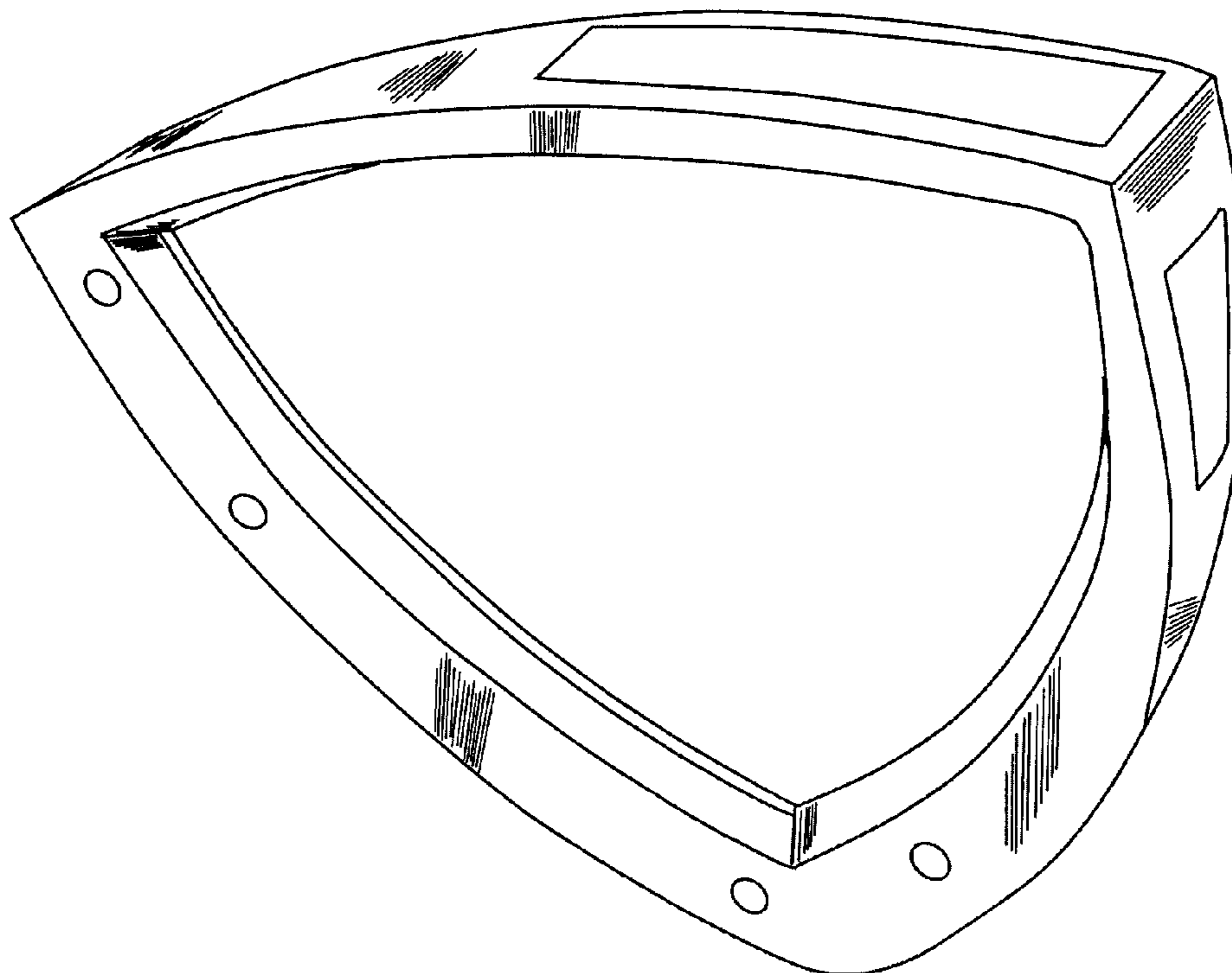
(57) **CLAIM**

The ornamental design for a triangular armrest, as shown and described.

DESCRIPTION

FIG. 1 is a perspective view of the triangular armrest showing my new design;
FIG. 2 is a front view thereof;
FIG. 3 is a top view thereof;
FIG. 4 is a bottom view thereof;
FIG. 5 is a left side view thereof;
FIG. 6 is a right side view thereof; and,
FIG. 7 is an isometric view illustrating the position of the triangular armrest on a chair.
The broken line showing of a chair is included for the purpose of illustrating the environmental structure and forms no part of the claimed design.

1 Claim, 7 Drawing Sheets



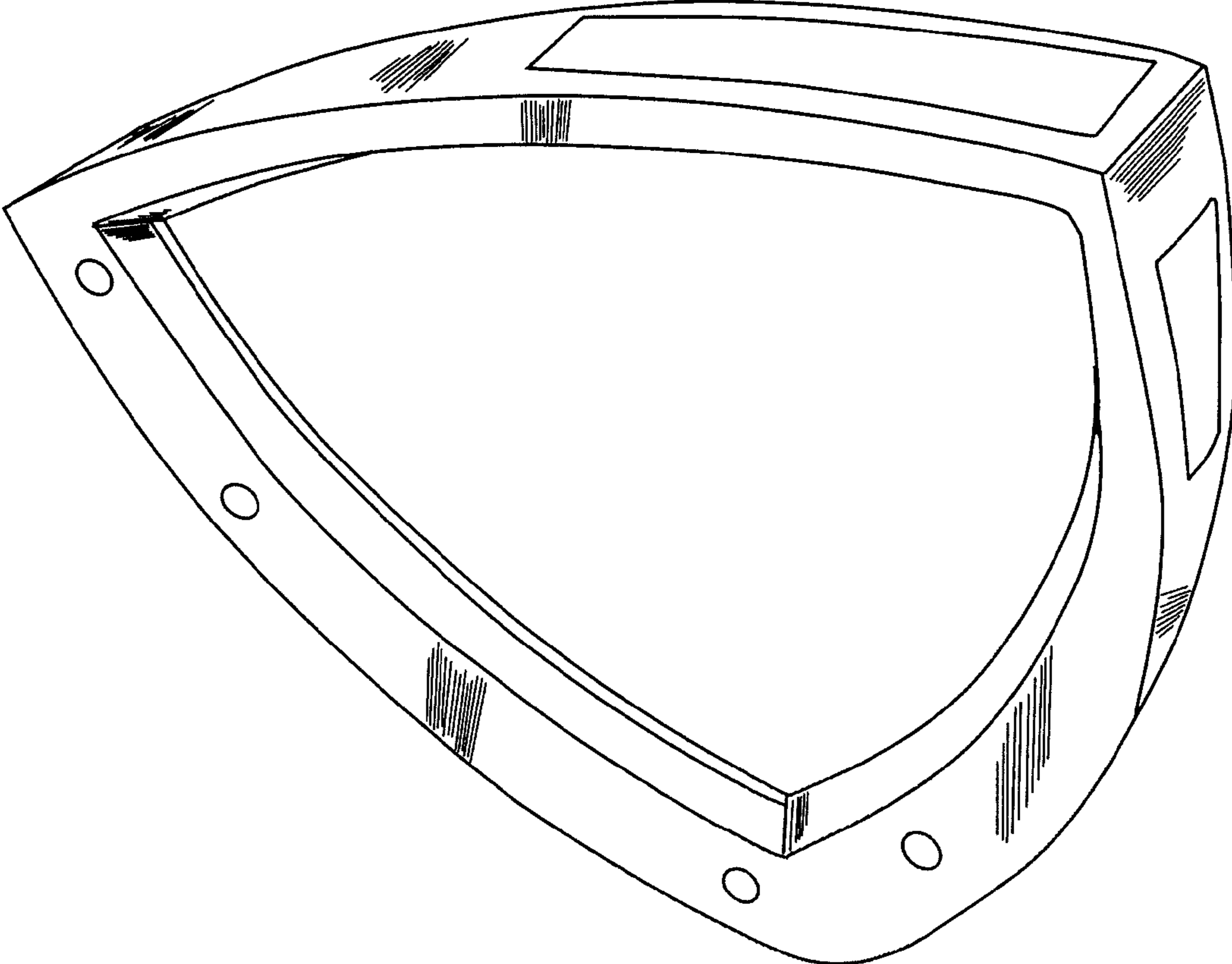


FIG. 1

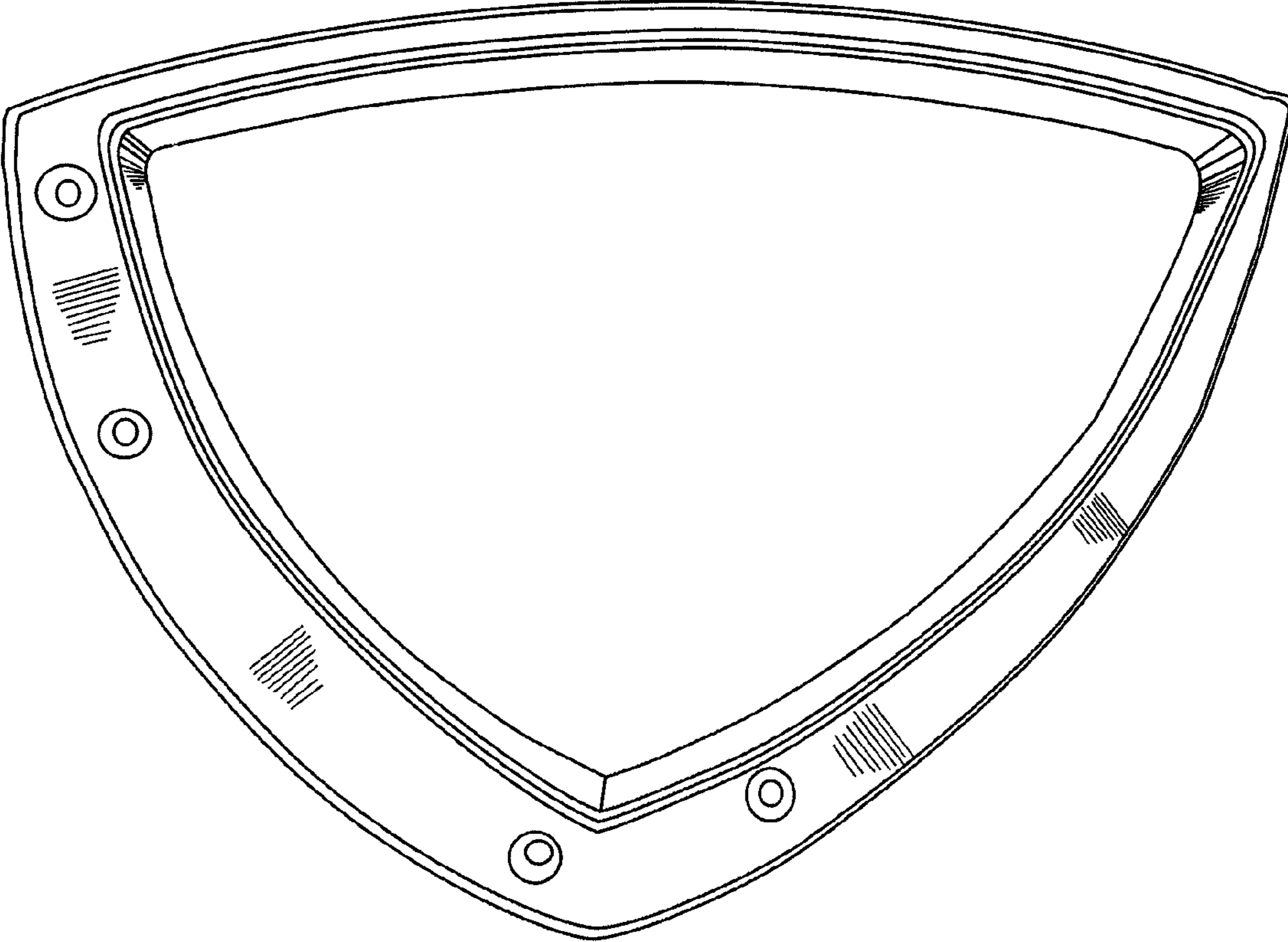


FIG. 2

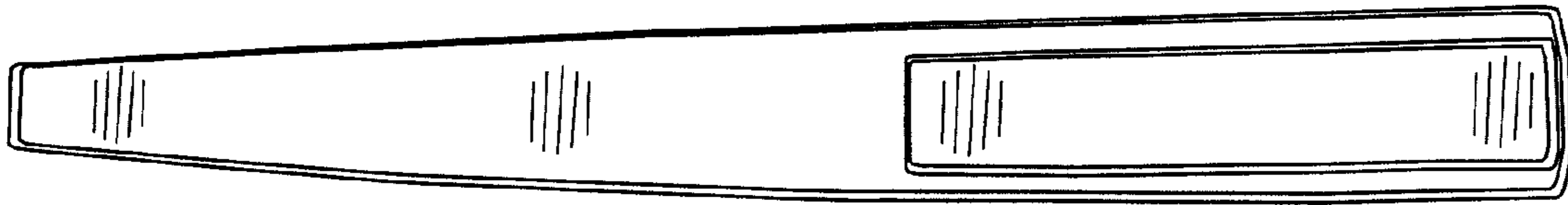


FIG. 3

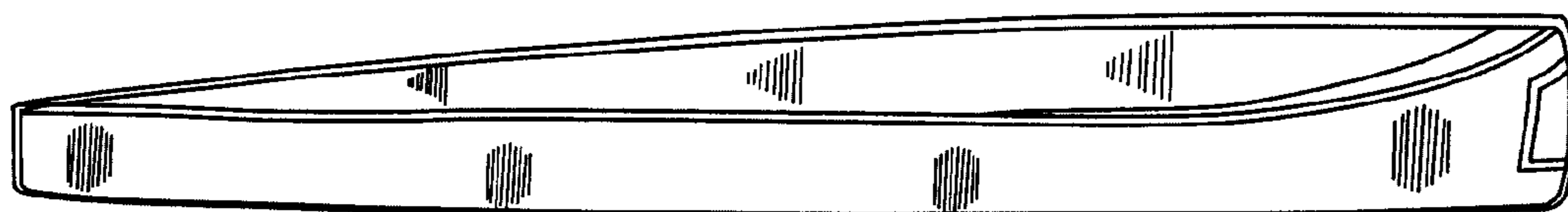


FIG. 4

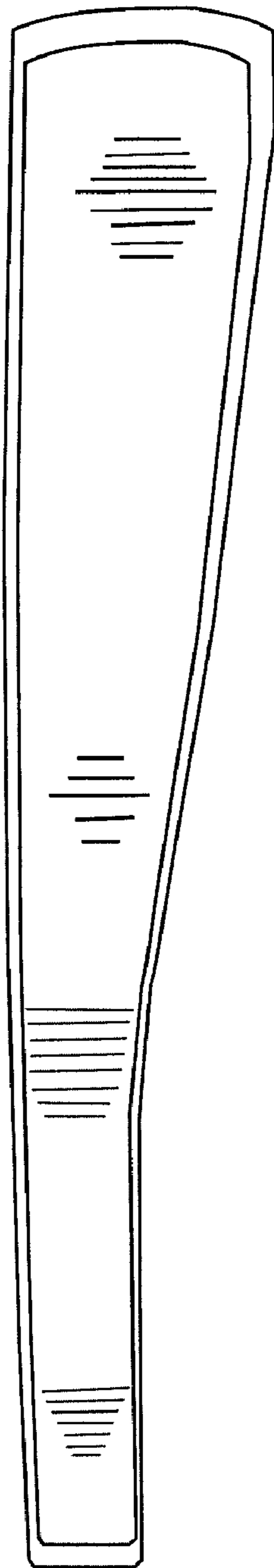


FIG. 5

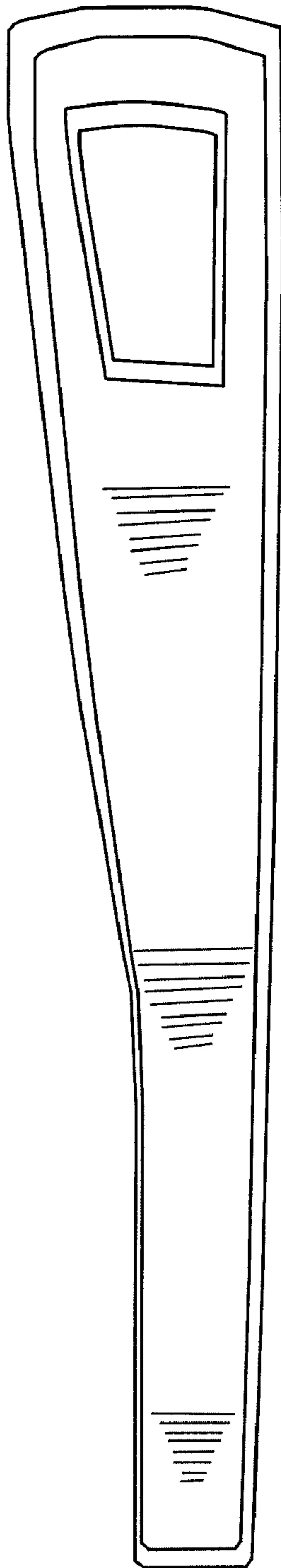


FIG. 6

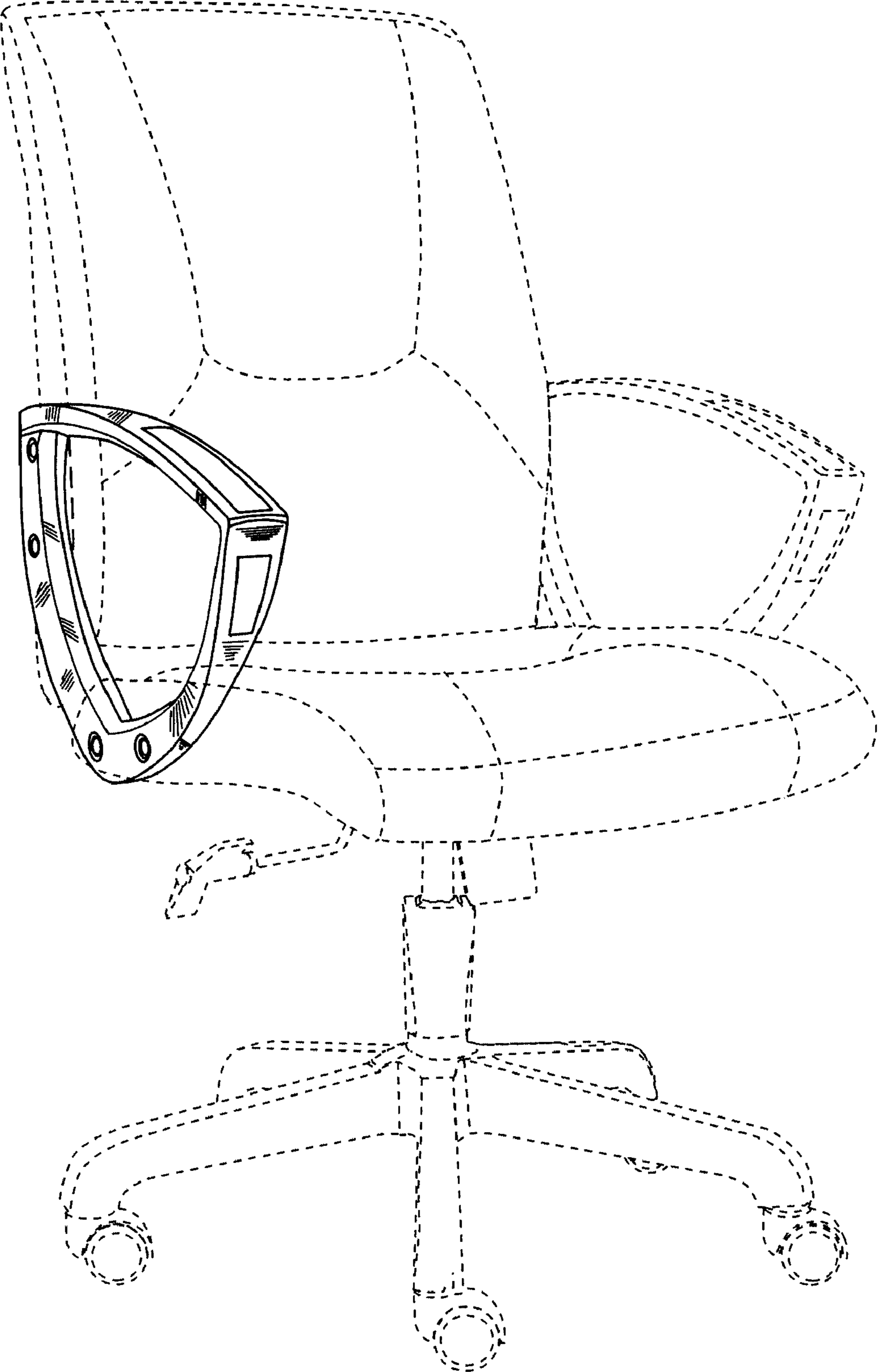


FIG. 7