



US00D585675S

(12) **United States Design Patent**
Zhang

(10) **Patent No.:** **US D585,675 S**

(45) **Date of Patent:** **** Feb. 3, 2009**

(54) **CURVED HEADREST FRAME**

(75) Inventor: **Wei Qiang Zhang**, FoShan (CN)

(73) Assignee: **IGO Furniture (Foshan) Ltd.** (CN)

(**) Term: **14 Years**

(21) Appl. No.: **29/318,652**

(22) Filed: **May 23, 2008**

(30) **Foreign Application Priority Data**

Jan. 25, 2008 (CN) 2008 3 0040777

(51) **LOC (9) Cl.** **06-06**

(52) **U.S. Cl.** **D6/501**

(58) **Field of Classification Search** D6/50-503;
248/118; 297/220, 229, 391, 394, 396, 397,
297/410, 452.29; 5/630, 653

See application file for complete search history.

(56) **References Cited**

U.S. PATENT DOCUMENTS

- 3,498,670 A * 3/1970 Finch et al. 297/396
- D259,689 S * 6/1981 Handel D6/502
- D307,526 S * 5/1990 McIntyre et al. D6/601
- D353,964 S * 1/1995 Phleps et al. D6/502
- D357,834 S * 5/1995 Nordstrom et al. D6/501
- D401,455 S * 11/1998 Pate D6/501
- 6,755,472 B2 * 6/2004 Stenzel et al. 297/410
- D507,910 S * 8/2005 Bock D6/501

- D552,857 S * 10/2007 Wang D6/366
- D570,745 S * 6/2008 Camasmie D12/114
- D574,644 S * 8/2008 Collings D6/501

* cited by examiner

Primary Examiner—Caron Veynar

Assistant Examiner—Abraham Bahta

(74) *Attorney, Agent, or Firm*—Mark G. Pannell; Hanes & Schutz, LLC

(57) **CLAIM**

The ornamental design for a curved headrest frame, as shown and described.

DESCRIPTION

FIG. 1 is a perspective view of the curved headrest frame showing my new design;

FIG. 2 is a front view thereof;

FIG. 3 is a top view thereof;

FIG. 4 is a bottom view thereof;

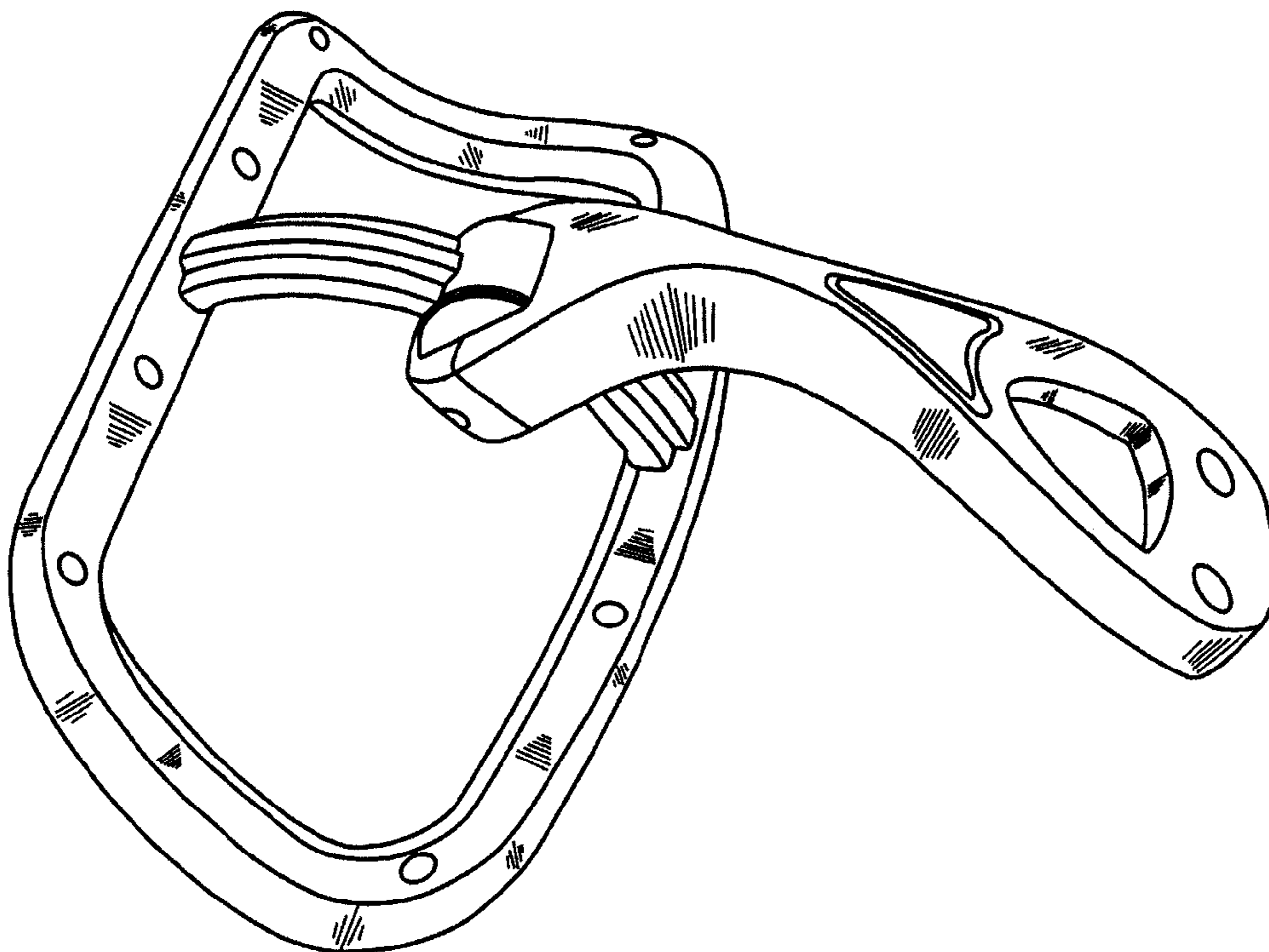
FIG. 5 is a left side view thereof;

FIG. 6 is a right side view thereof; and,

FIG. 7 is an isometric view illustrating the position of the curved headrest frame on a chair.

The broken line showing of a chair is included for the purpose of illustrating the environmental structure and forms no part of the claimed design.

1 Claim, 7 Drawing Sheets



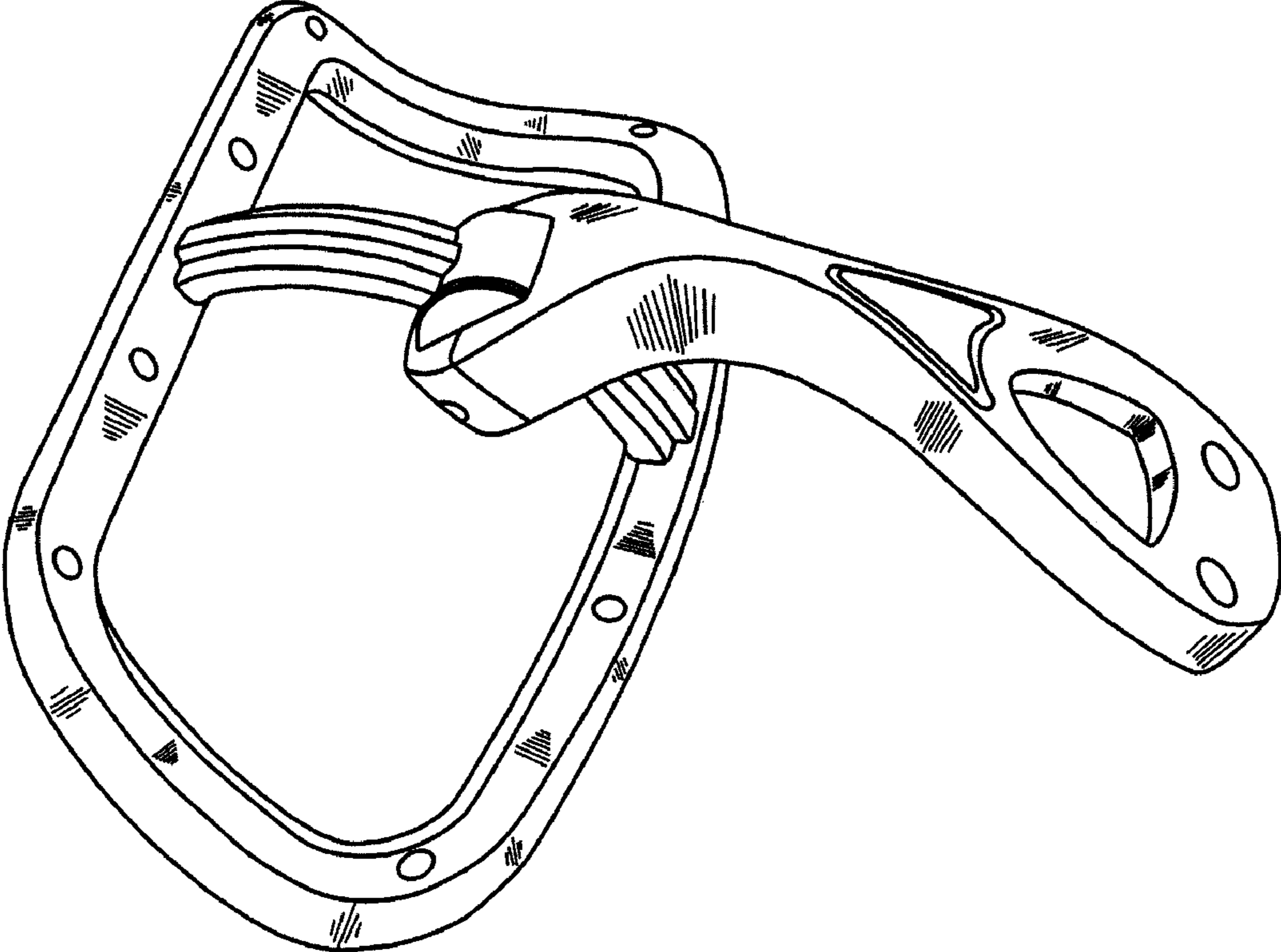


FIG. 1

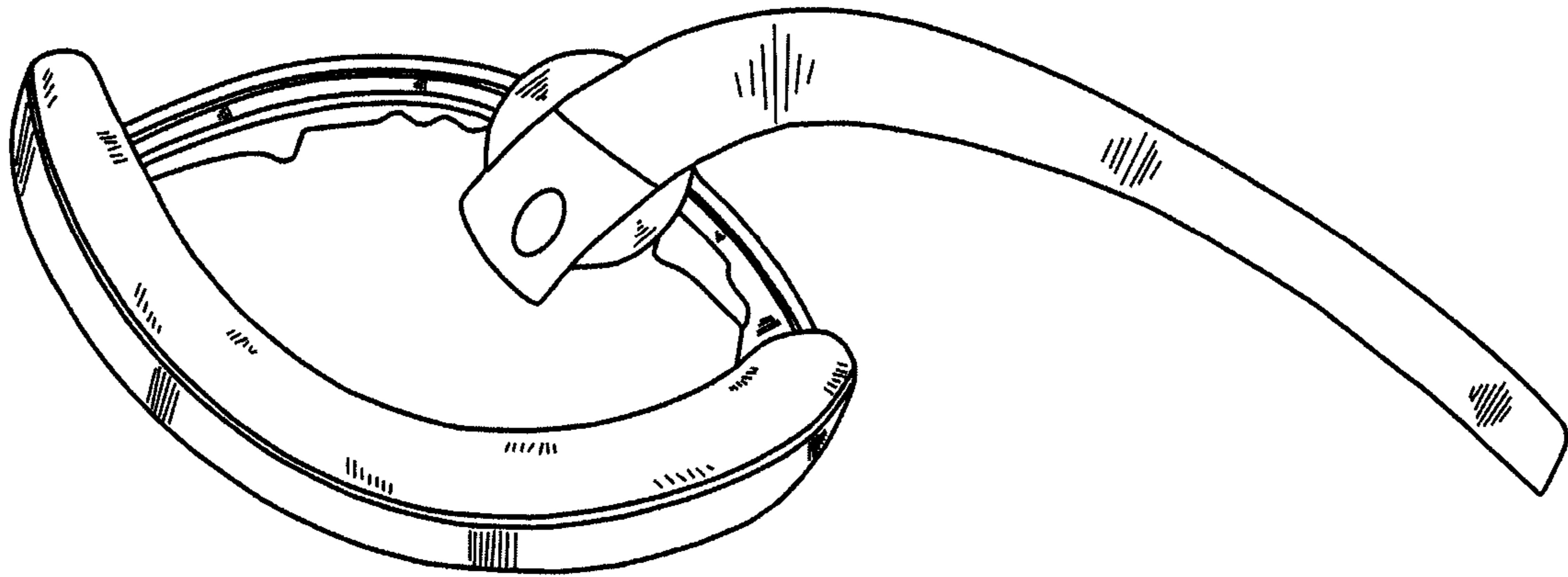


FIG. 2

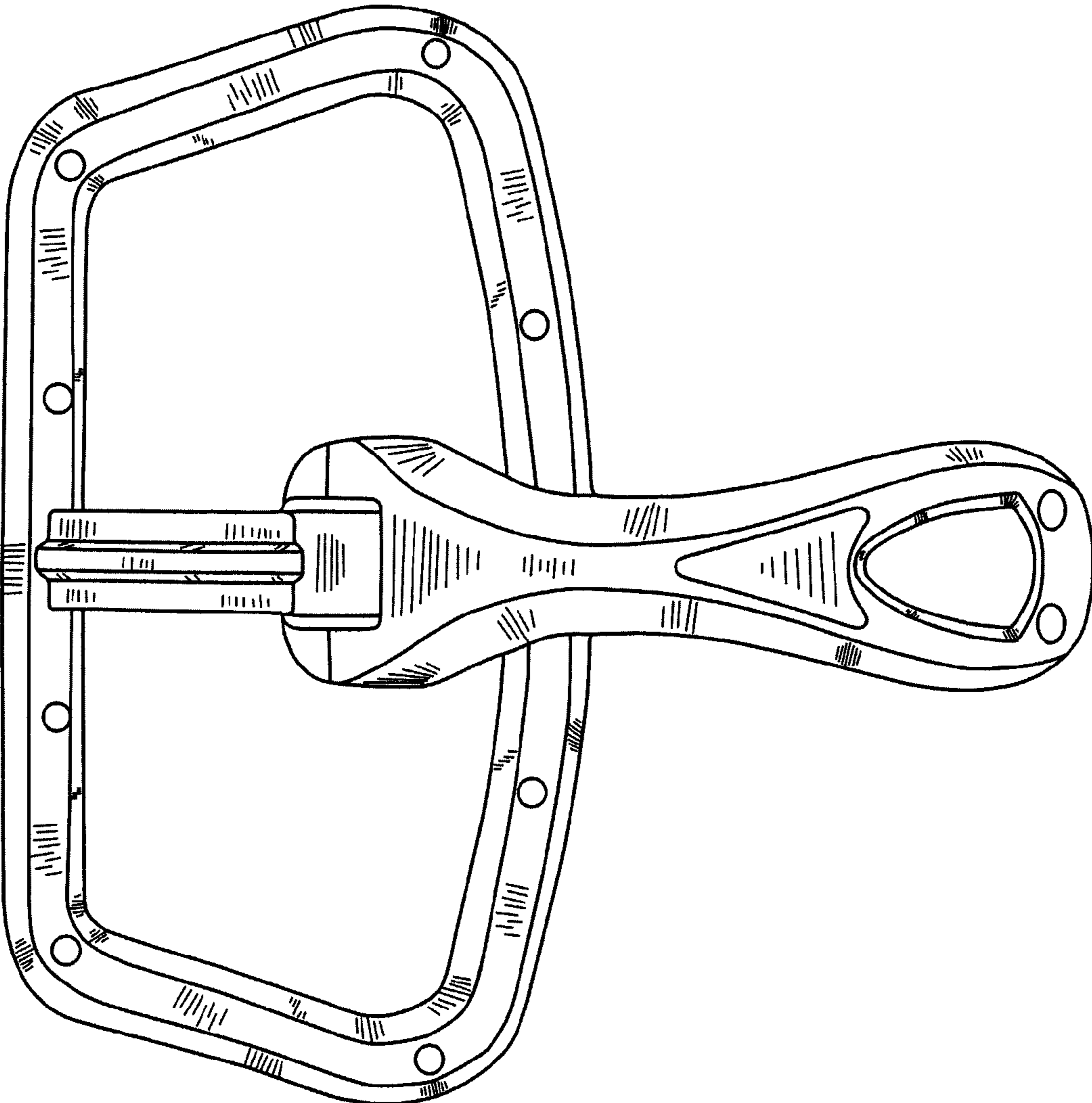


FIG. 3

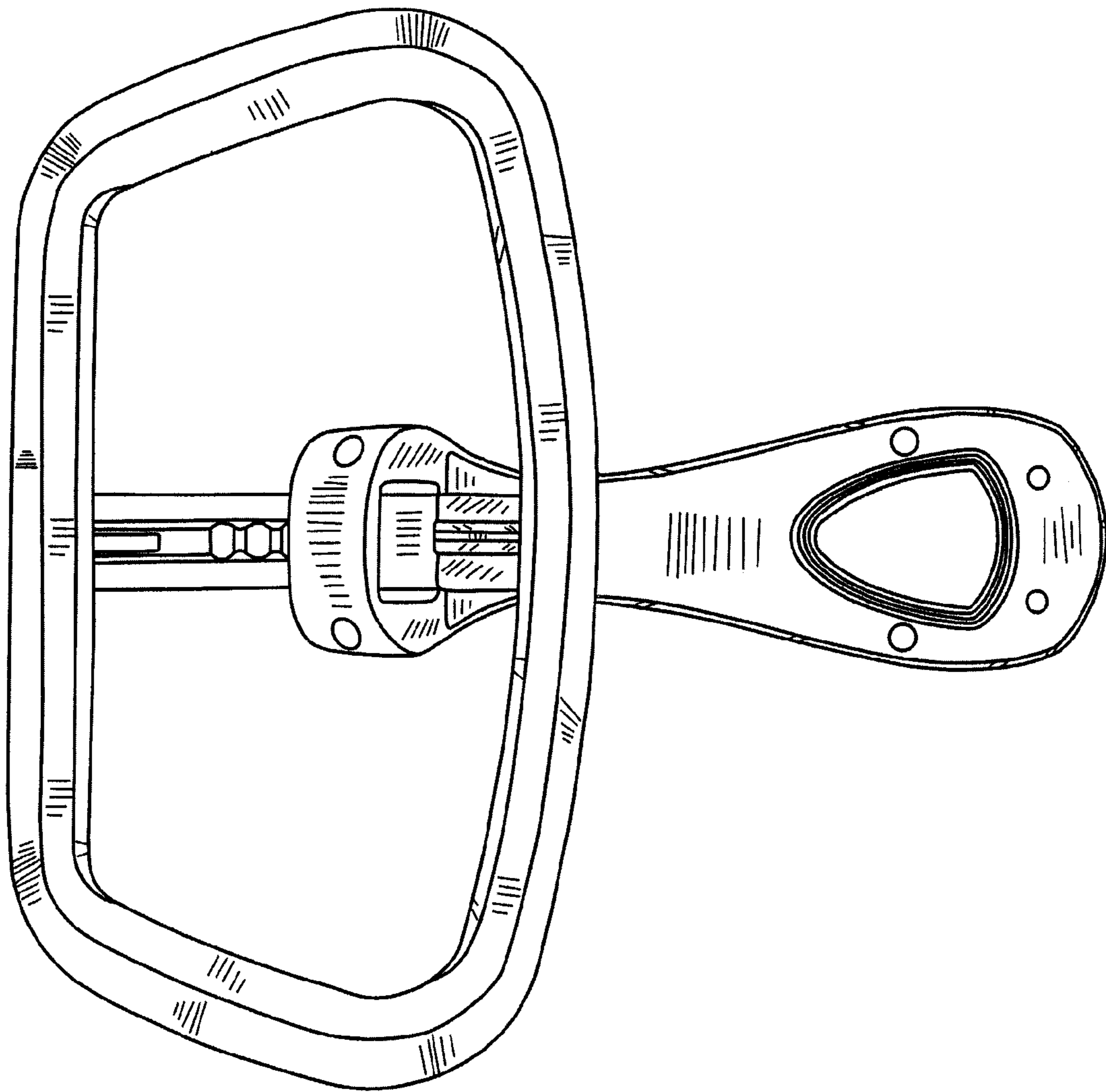


FIG.4

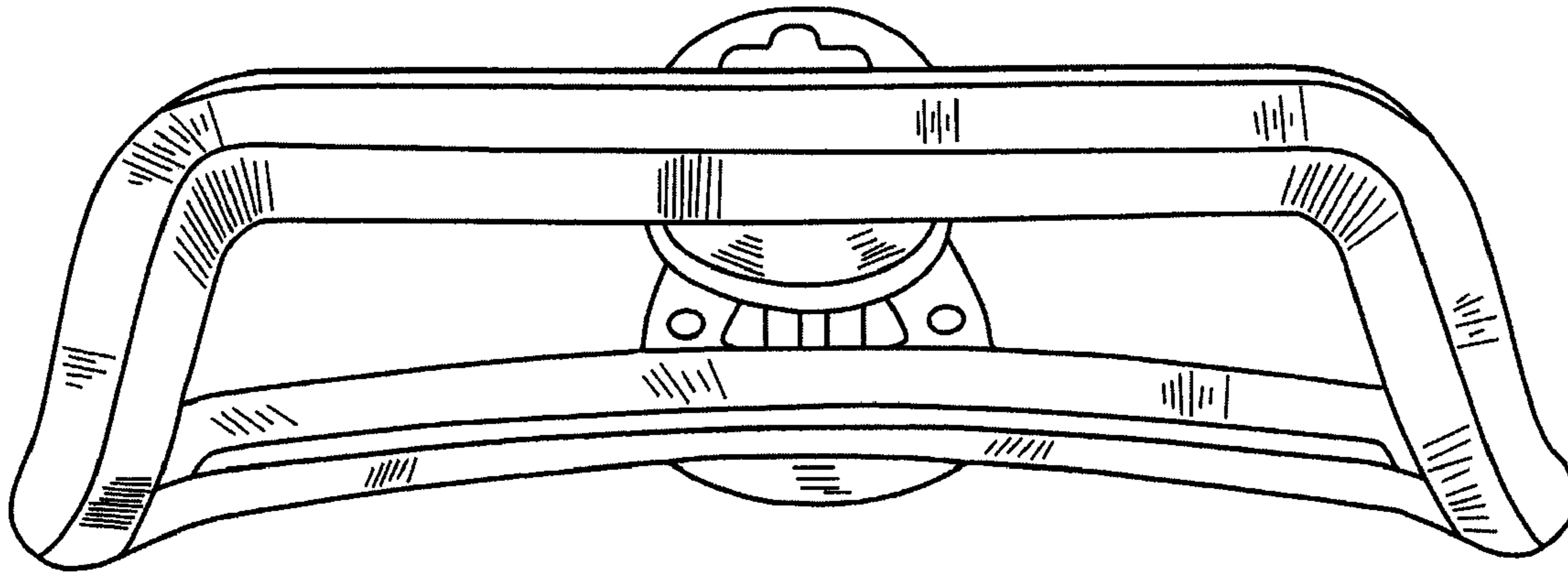


FIG. 5

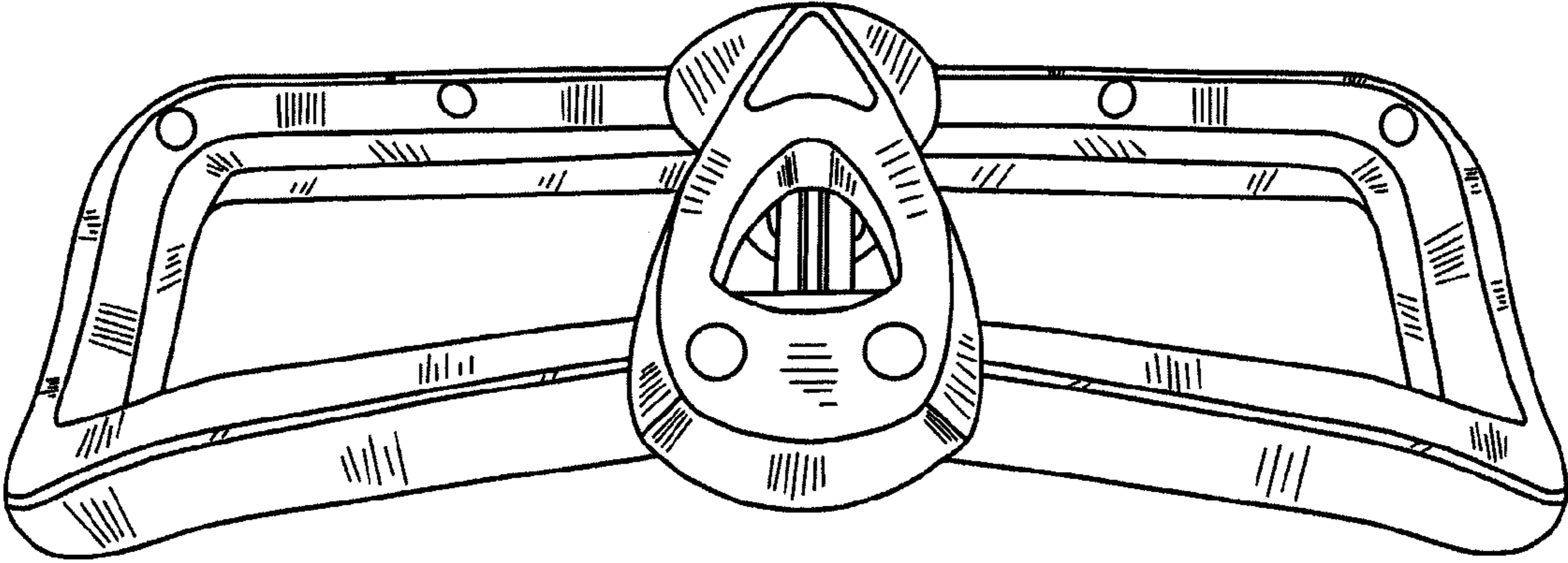


FIG. 6

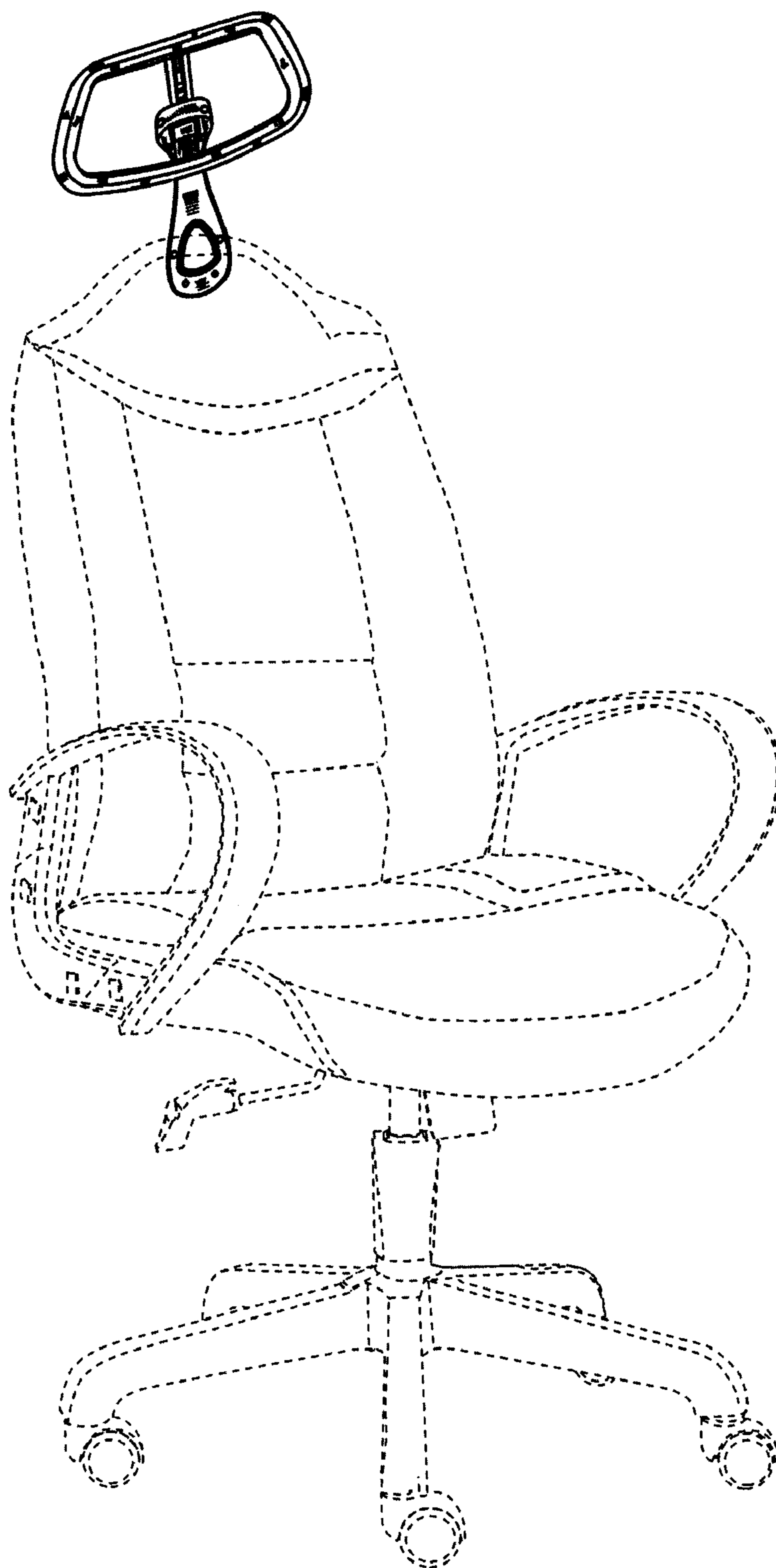


FIG. 7