



US00D585674S

(12) **United States Design Patent**  
**Bennett**

(10) **Patent No.:** **US D585,674 S**  
(45) **Date of Patent:** **\*\* Feb. 3, 2009**

(54) **CENTER CONSOLE ARM REST**  
(75) Inventor: **Patrick W. Bennett**, Gainesville, GA  
(US)  
(73) Assignee: **Omix-Ada, Inc.**, Suwanee, GA (US)  
(\*\*) Term: **14 Years**  
(21) Appl. No.: **29/317,727**  
(22) Filed: **May 6, 2008**

5,911,472 A \* 6/1999 Toth ..... 297/188.2  
D431,944 S \* 10/2000 Cazarez et al. .... D6/501  
6,652,024 B2 \* 11/2003 Prasatek ..... 297/188.2  
D502,910 S \* 3/2005 Klopp et al. .... D12/421

\* cited by examiner

*Primary Examiner*—Mimosa De  
(74) *Attorney, Agent, or Firm*—Womble Carlyle Sandridge &  
Rice

(51) **LOC (9) Cl.** ..... **06-01**  
(52) **U.S. Cl.** ..... **D6/501**  
(58) **Field of Classification Search** ..... D6/334–336,  
D6/356, 366, 367, 368, 375, 376, 379, 380,  
D6/491, 500–502; D12/421; 297/188.2,  
297/188.18, 188.19, 232, 411.23, 411.24,  
297/411.25, 411.26, 411.46  
See application file for complete search history.

(57) **CLAIM**

The ornamental design of a center console arm rest, as shown and described.

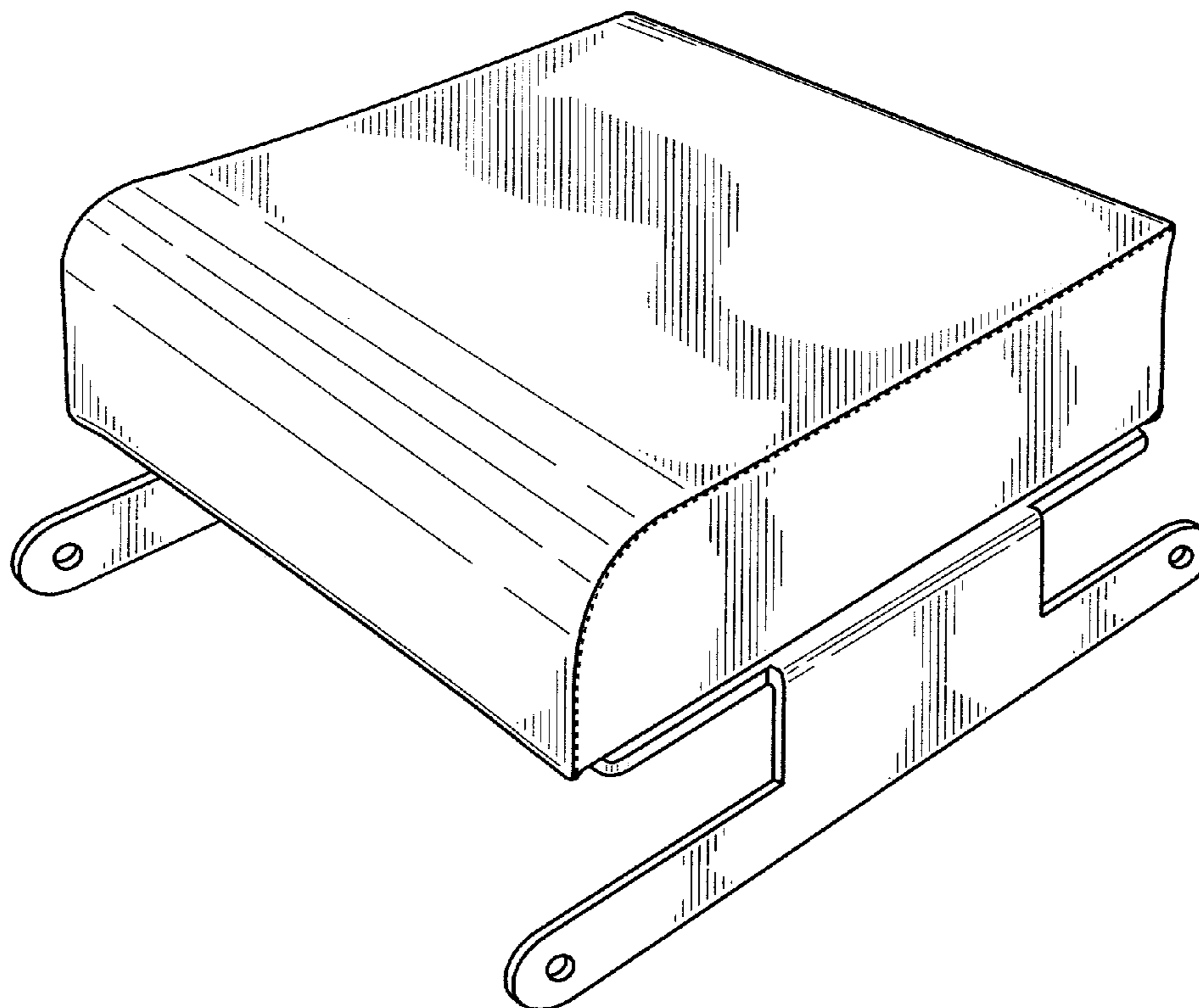
**DESCRIPTION**

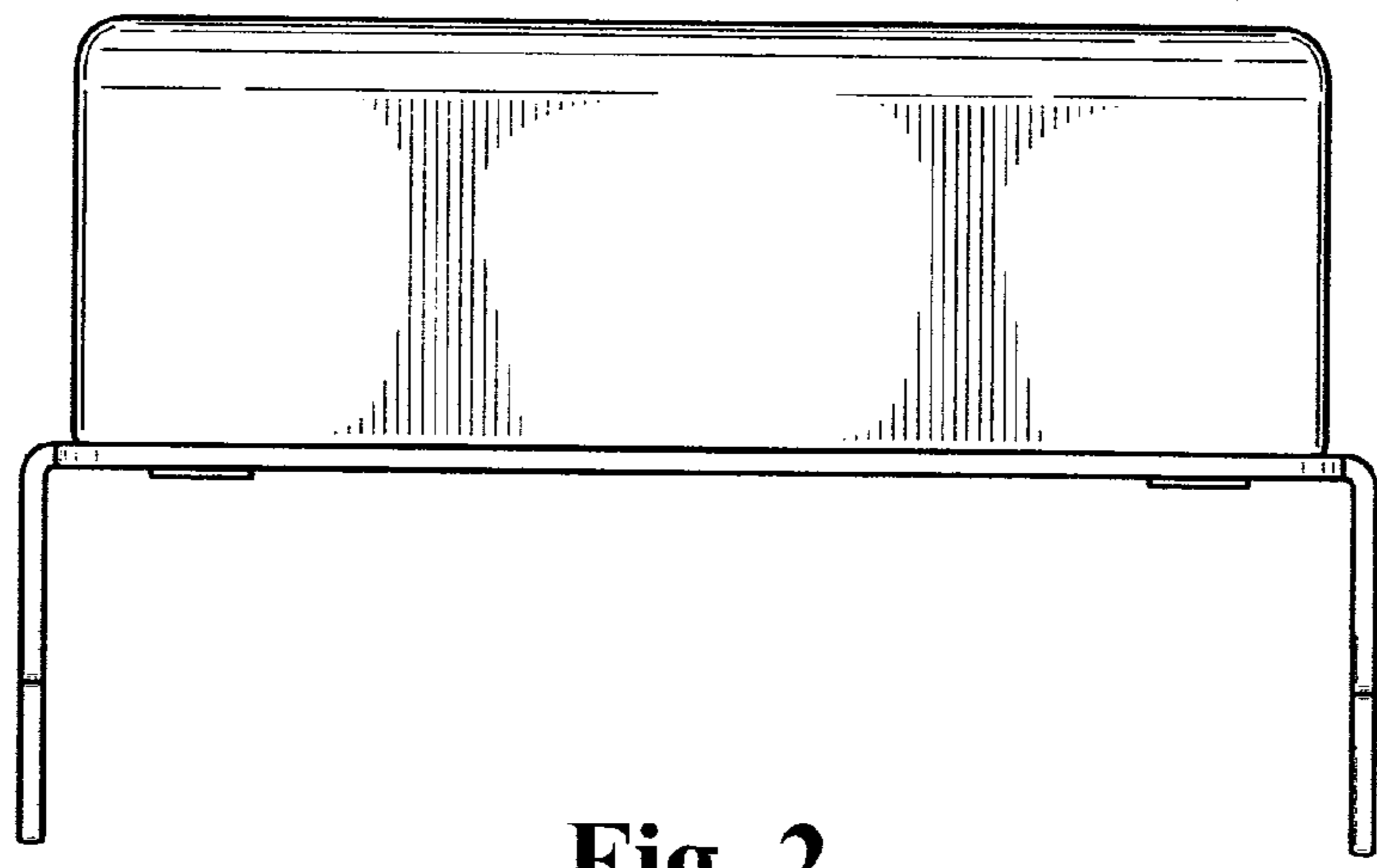
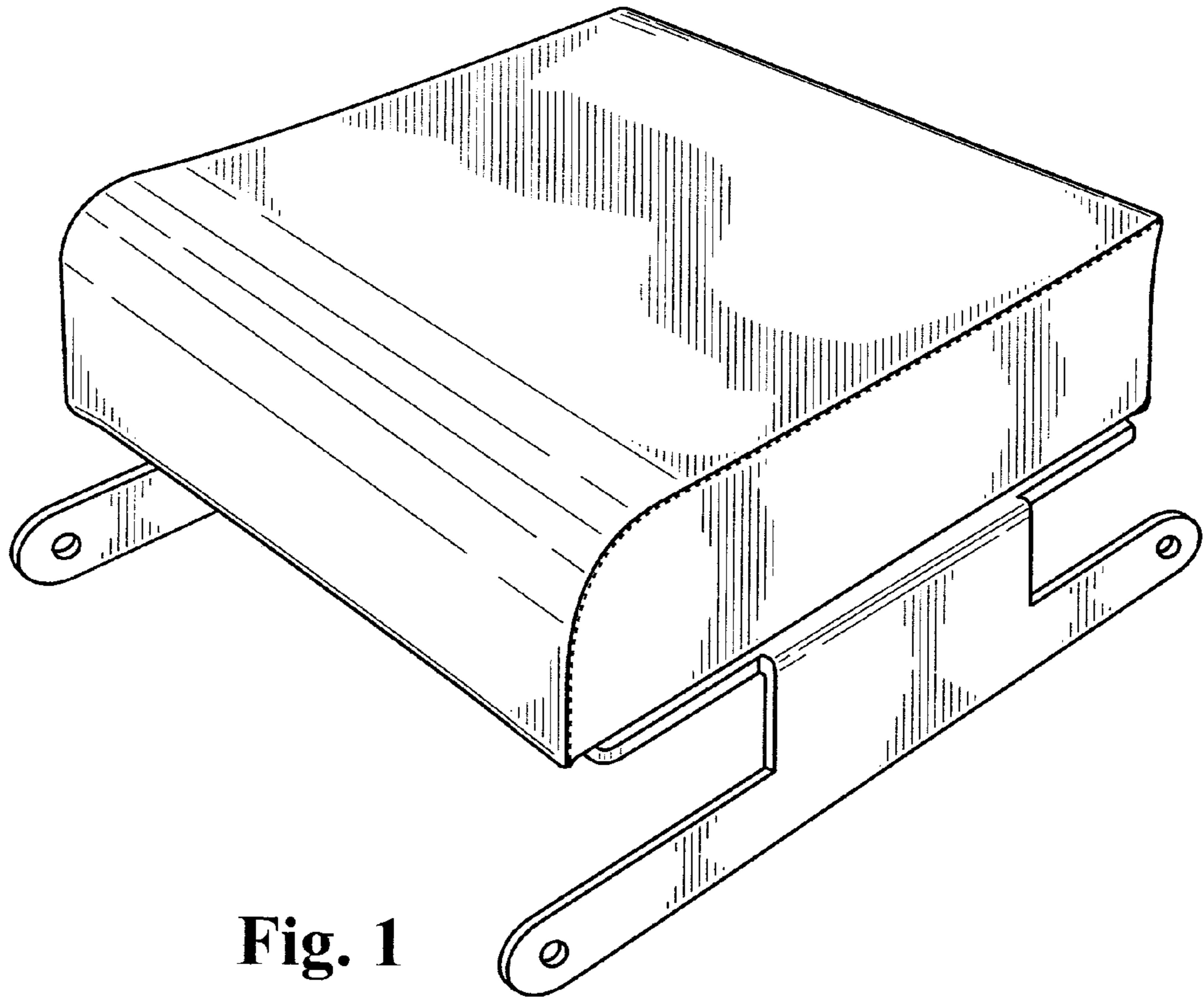
FIG. 1 is a perspective view of my new design for a center console arm rest.  
FIG. 2 is a front elevational view thereof.  
FIG. 3 is a rear elevational view thereof.  
FIG. 4 is a left side view thereof.  
FIG. 5 is a right side view thereof.  
FIG. 6 is a top view thereof; and,  
FIG. 7 is a bottom view thereof.

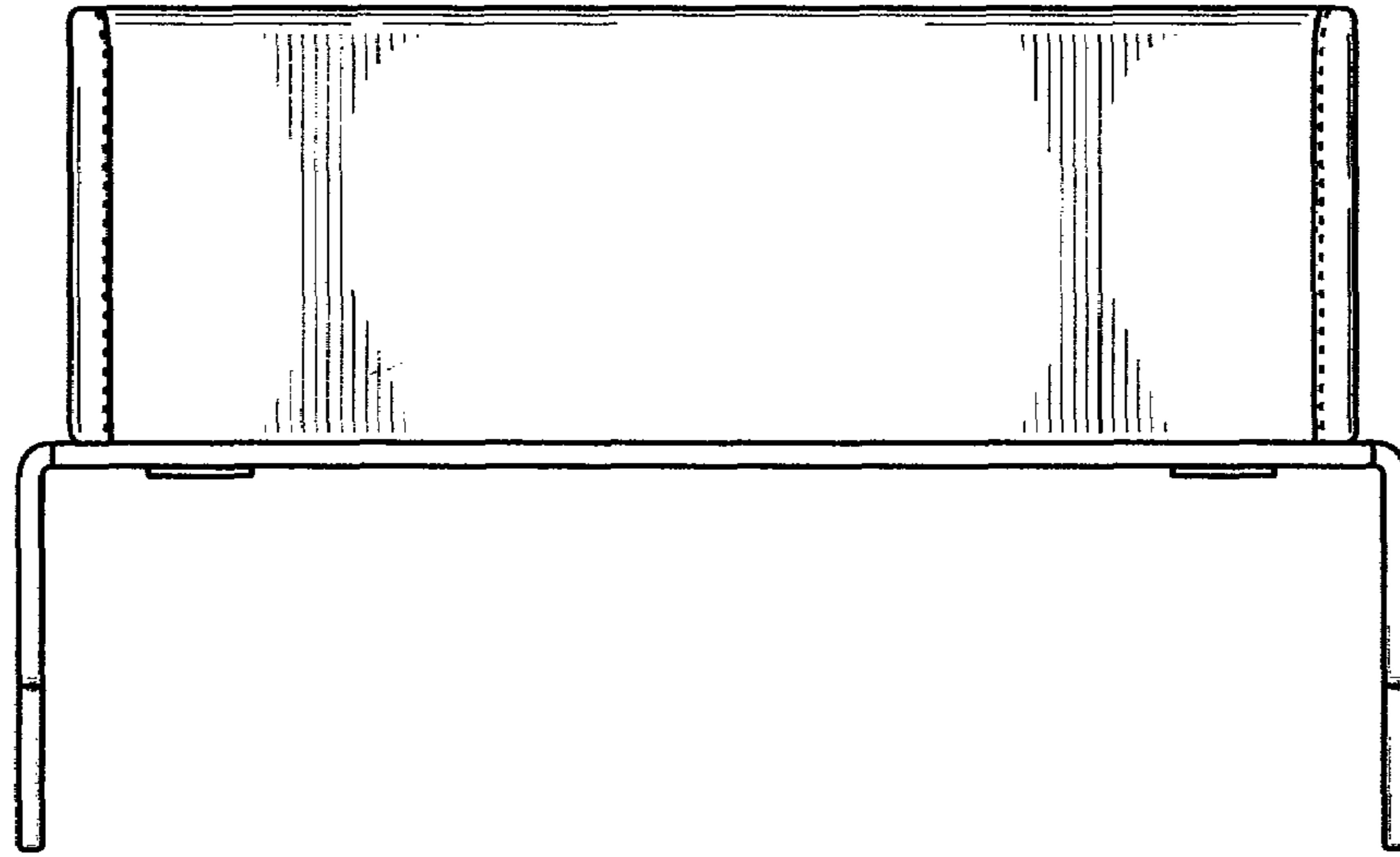
The dashed lines shown in the drawing are understood to represent stitching.

(56) **References Cited**  
U.S. PATENT DOCUMENTS  
2,524,659 A \* 10/1950 Gorman ..... 297/411.24  
2,668,582 A \* 2/1954 Goodfellow ..... 297/411.24  
2,697,479 A \* 12/1954 Fesler ..... 297/411.25  
4,019,779 A \* 4/1977 Hogan ..... 297/411.24  
4,533,175 A \* 8/1985 Brennan ..... 297/232  
5,037,157 A \* 8/1991 Wain et al. .... 297/188.18  
D336,397 S \* 6/1993 DeBoer et al. .... D6/501

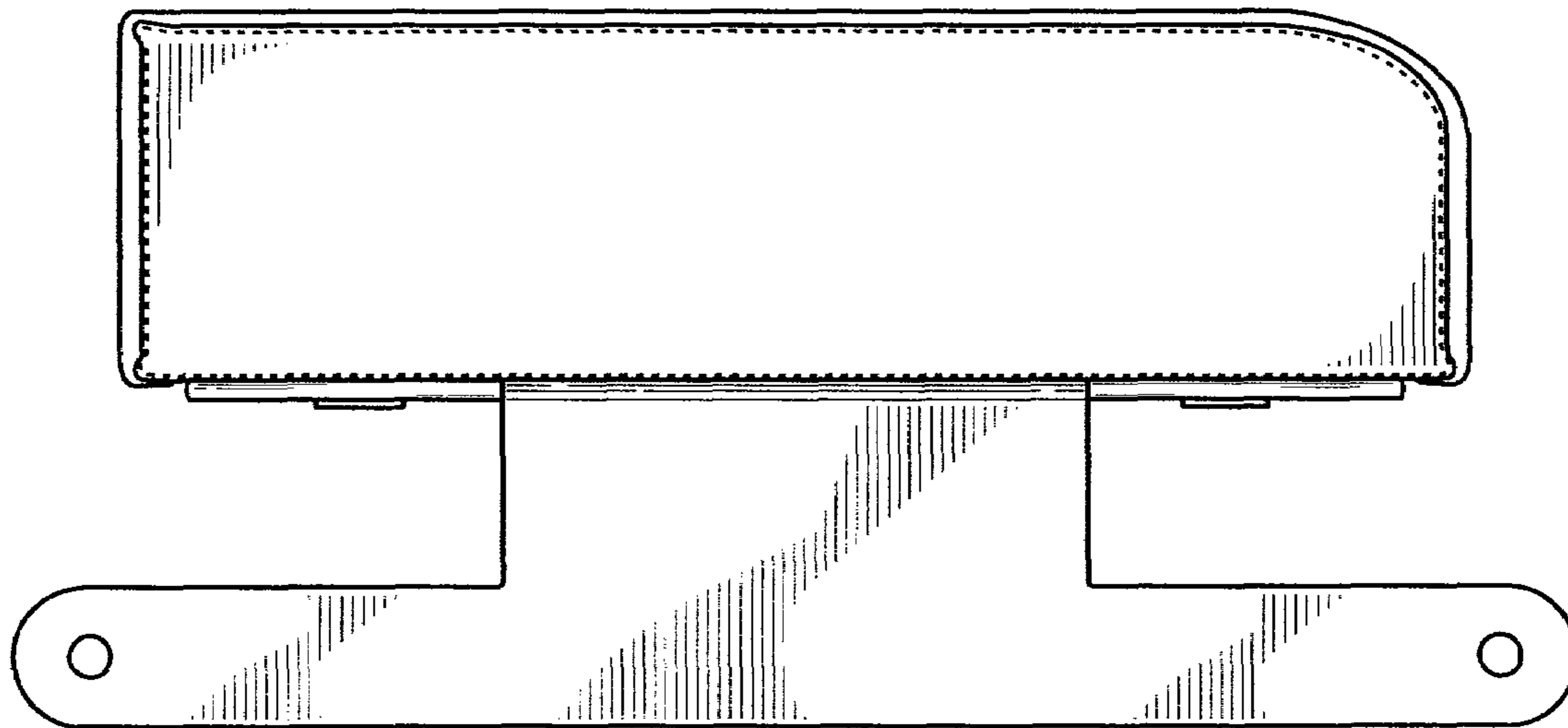
**1 Claim, 4 Drawing Sheets**



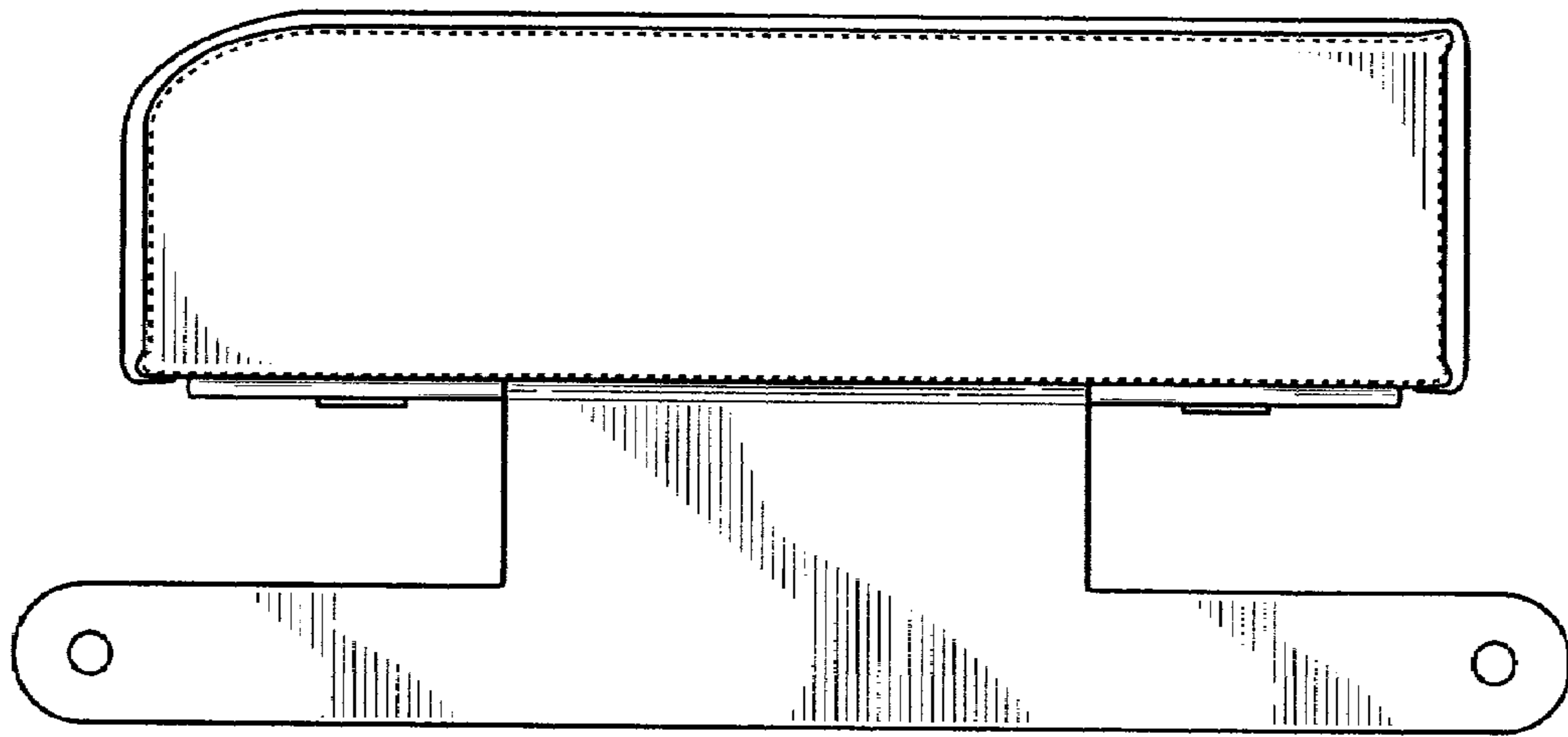




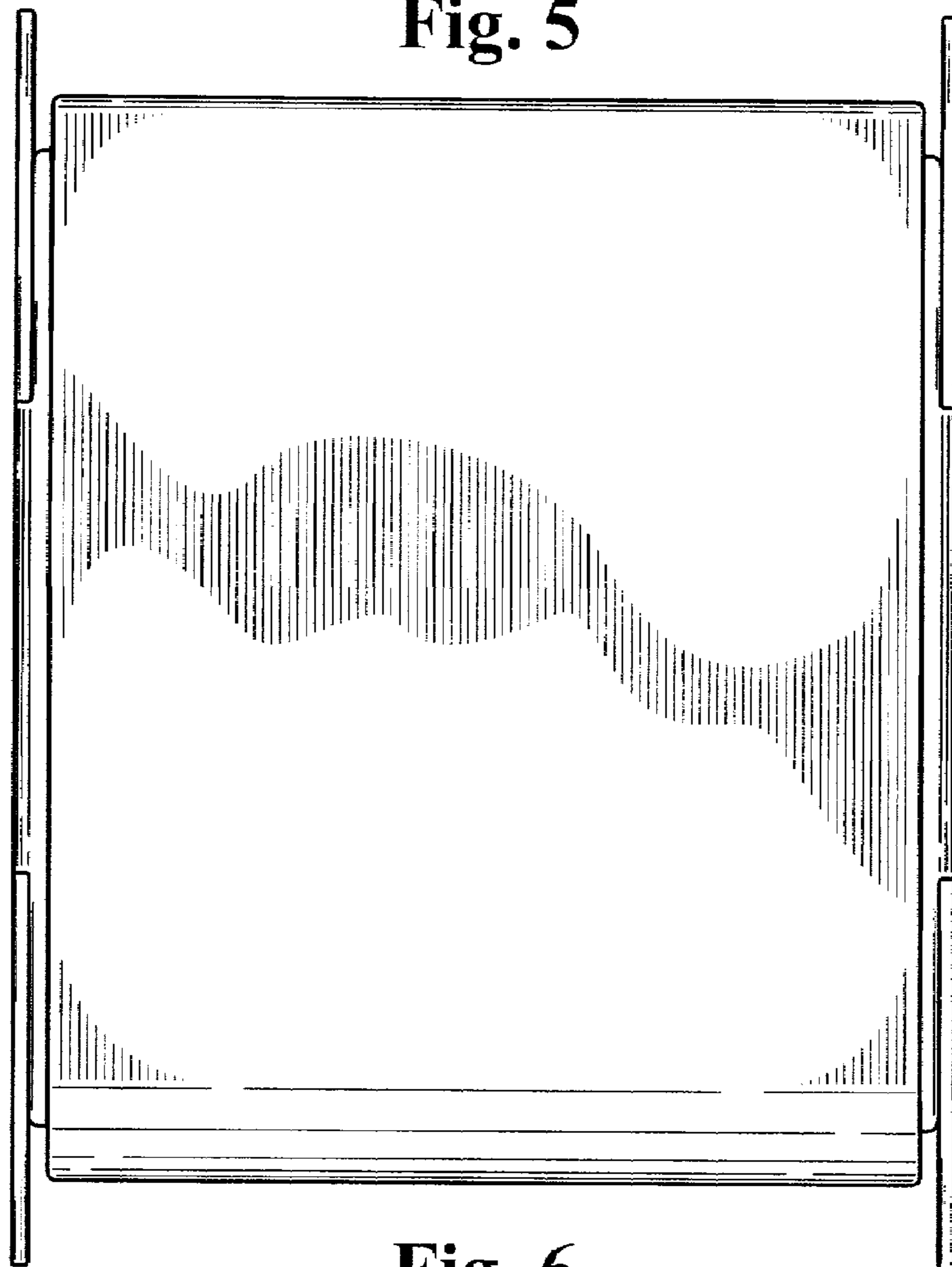
**Fig. 3**



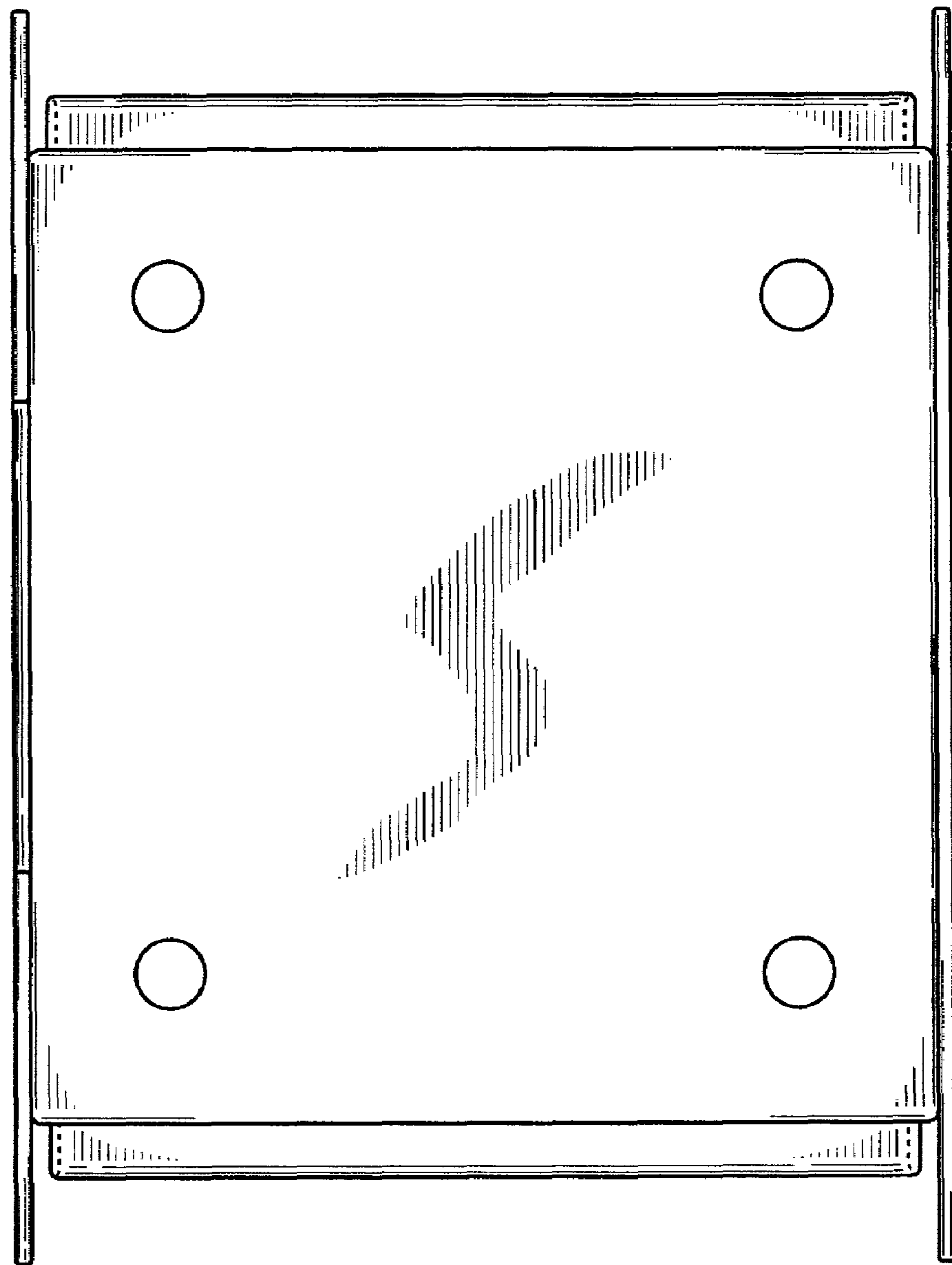
**Fig. 4**



**Fig. 5**



**Fig. 6**



**Fig. 7**