



US00D585670S

(12) **United States Design Patent**
Gharabegian

(10) **Patent No.:** **US D585,670 S**

(45) **Date of Patent:** **** Feb. 3, 2009**

(54) **TABLE**

D543,384 S * 5/2007 Resterhouse et al. D6/487
D566,409 S * 4/2008 Lindqvist et al. D6/352

(75) Inventor: **Armen Sevada Gharabegian**, Glendale,
CA (US)

* cited by examiner

(73) Assignee: **Lounge22, LLC**, Burbank, CA (US)

Primary Examiner—Janice E Seeger

(**) Term: **14 Years**

(74) *Attorney, Agent, or Firm*—Pillsbury Winthrop Shaw
Pittman LLP

(21) Appl. No.: **29/301,170**

(57) **CLAIM**

(22) Filed: **Feb. 14, 2008**

The ornamental design for a table, as shown and described.

(51) **LOC (9) Cl.** **06-03**

(52) **U.S. Cl.** **D6/489**

(58) **Field of Classification Search** D6/480–489,
D6/495–499, 429–431, 511; 108/150, 153.1,
108/156, 157.1, 161; 248/188, 188.1, 188.8
See application file for complete search history.

DESCRIPTION

FIG. 1 is an upper rear left perspective view of a table showing
a new design;

FIG. 2 is a upper front right perspective view of the table
showing the new design;

FIG. 3 is a top view of the table showing the new design;

FIG. 4 is a bottom view of the table showing the new design;

FIG. 5 is a left side view of the table showing the new design,
the right side view being the same; and,

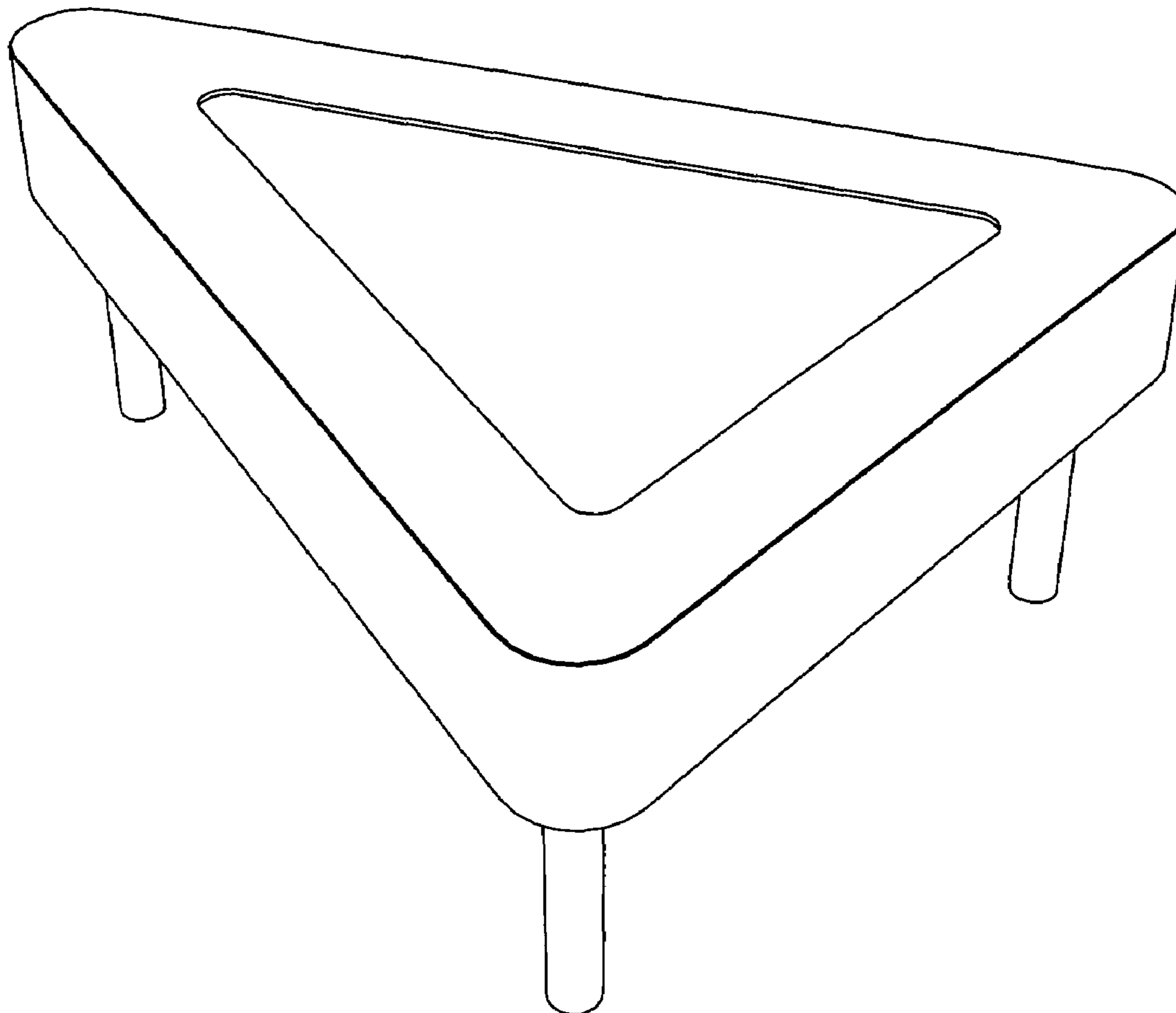
FIG. 6 is a back view of the table showing the new design.

(56) **References Cited**

U.S. PATENT DOCUMENTS

D267,211 S * 12/1982 Farrell D6/468
D280,164 S * 8/1985 Berry, Jr. D6/489
D540,072 S * 4/2007 Steinman D6/487

1 Claim, 3 Drawing Sheets



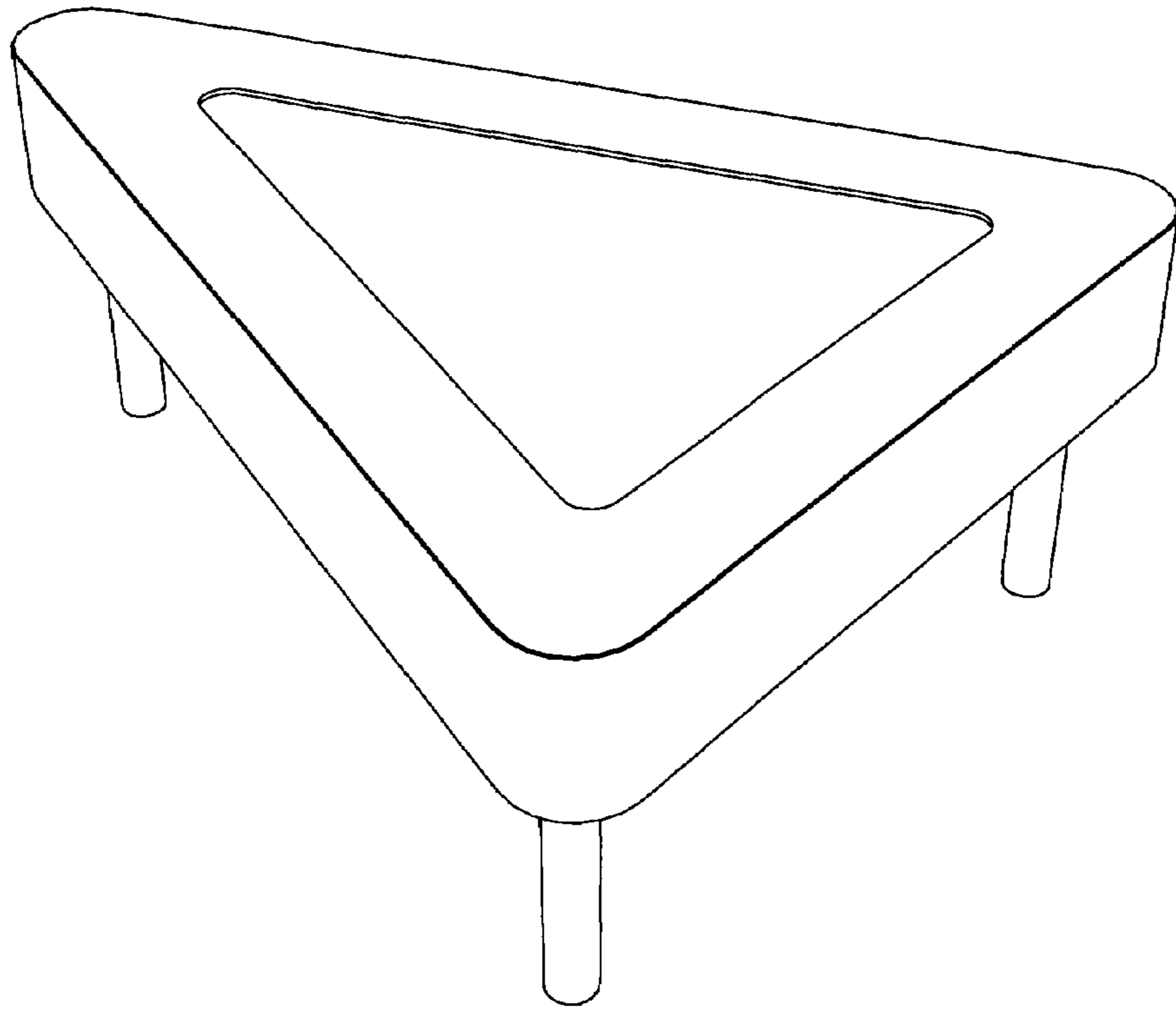


Fig. 1

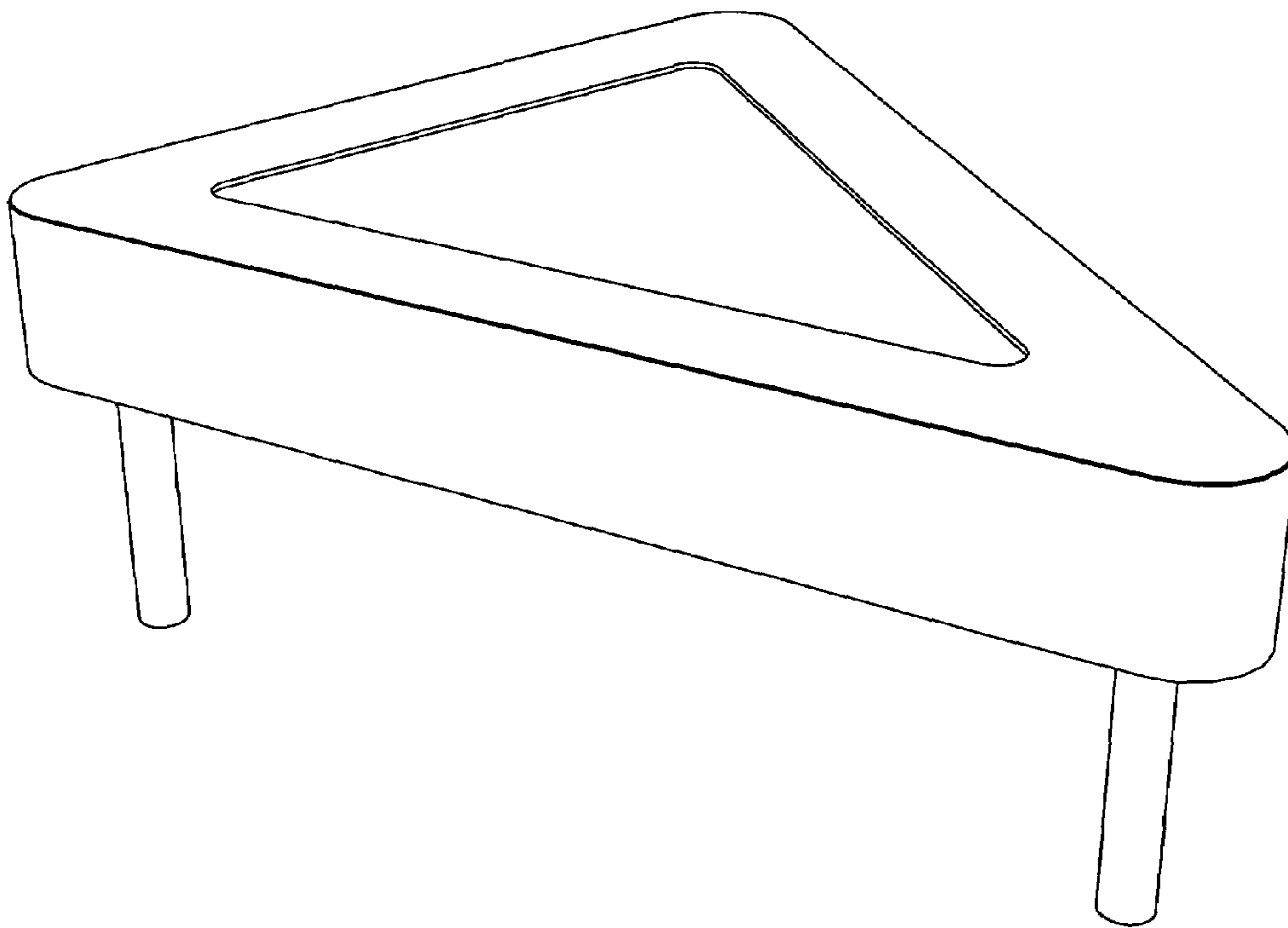


Fig. 2

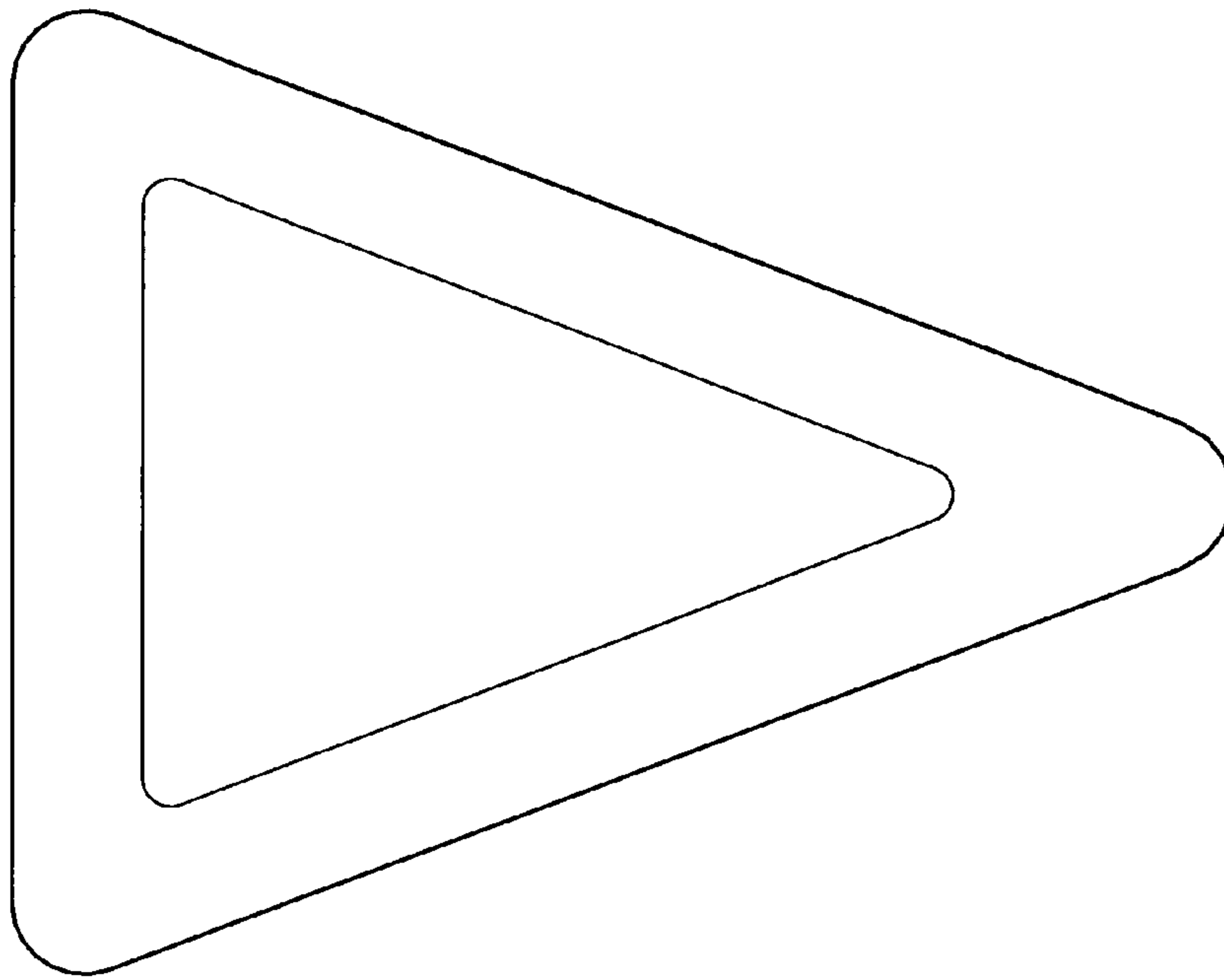


Fig. 3

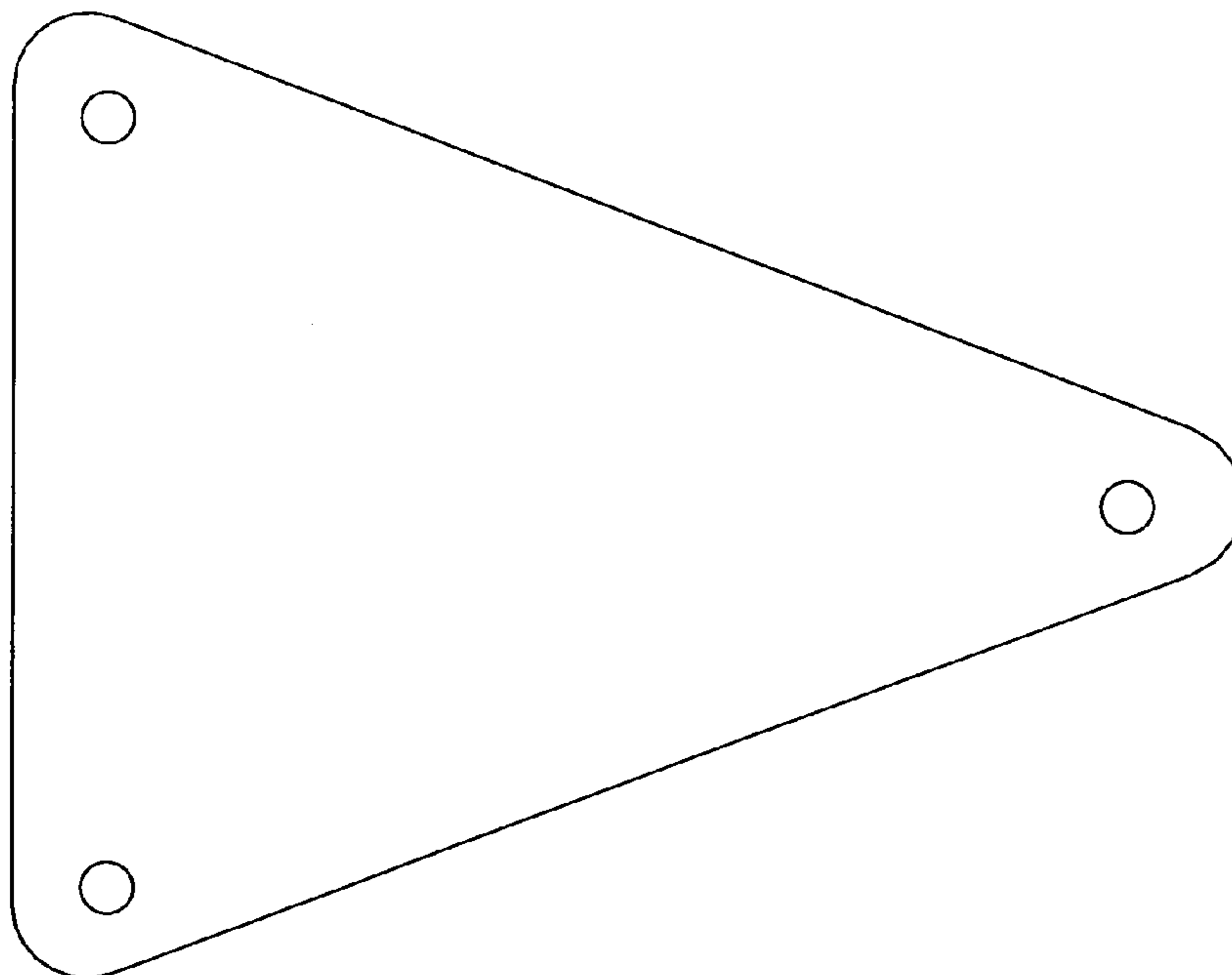


Fig. 4

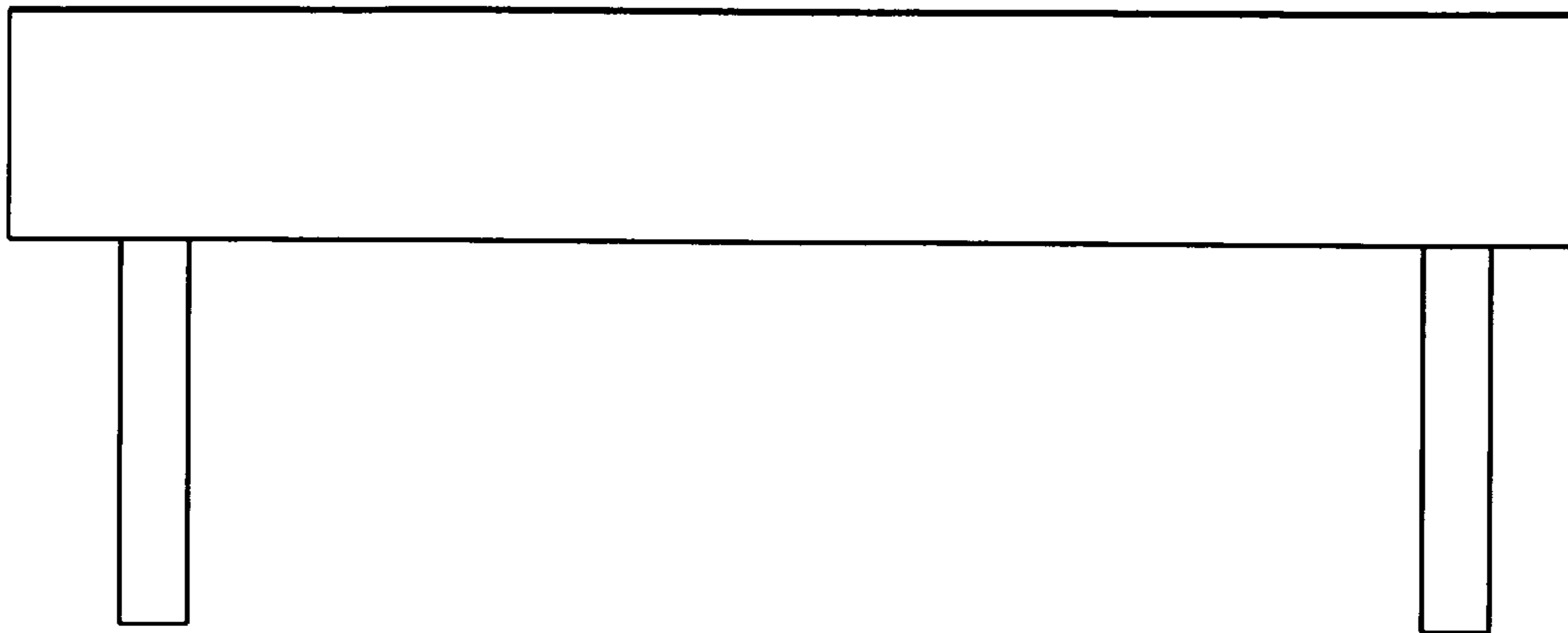


Fig. 5

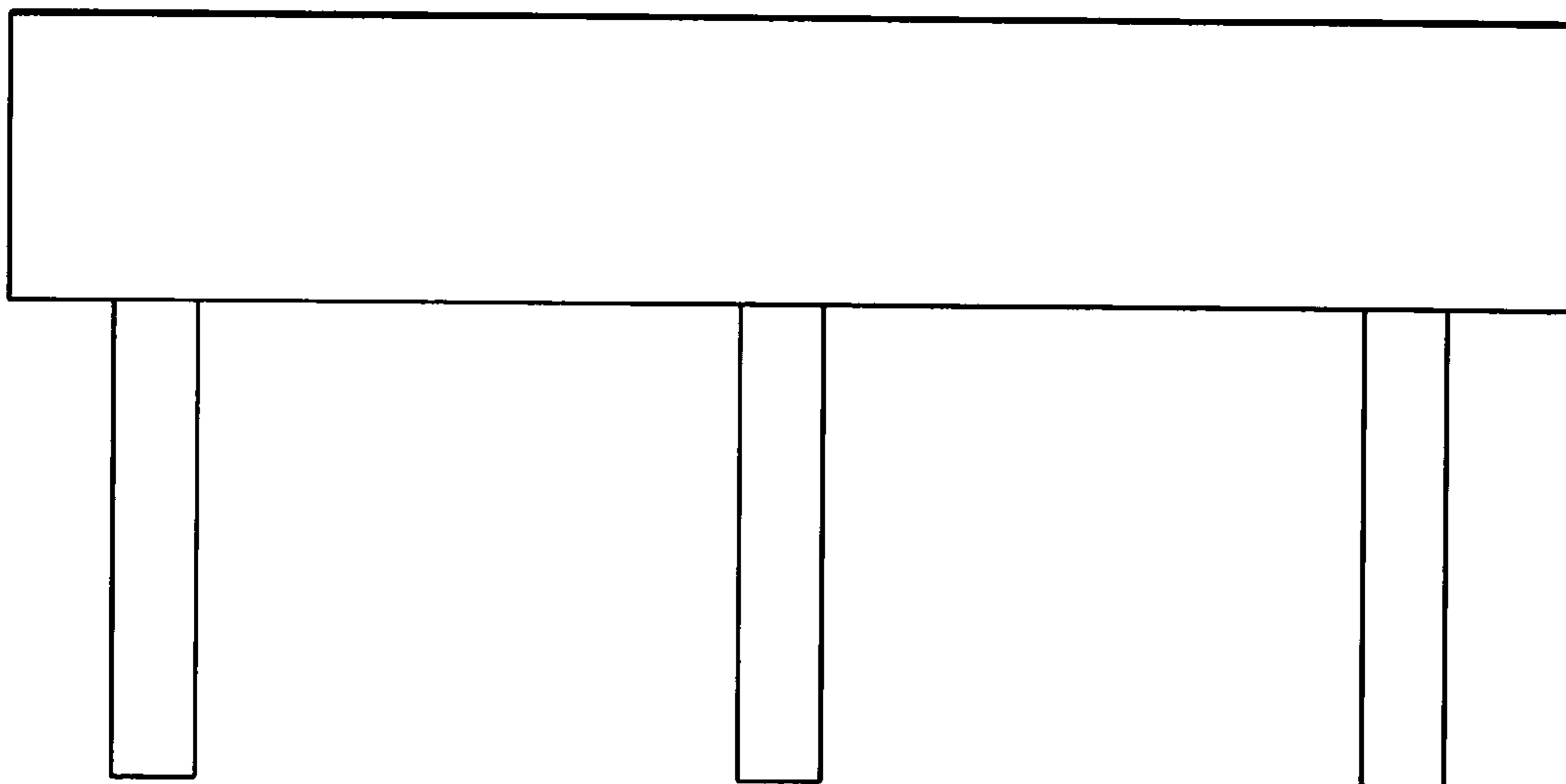


Fig. 6