



US00D585668S

(12) **United States Design Patent**
Fagen

(10) **Patent No.:** **US D585,668 S**

(45) **Date of Patent:** **** Feb. 3, 2009**

(54) **PORTABLE GYM WORKOUT CADDY**

(76) **Inventor:** **Jamie R. Fagen**, 4026 DeBerry Dr.,
Sarasota, FL (US) 34233

(**) **Term:** **14 Years**

(21) **Appl. No.:** **29/263,462**

(22) **Filed:** **Jul. 24, 2006**

(51) **LOC (9) Cl.** **06-04**

(52) **U.S. Cl.** **D6/469**

(58) **Field of Classification Search** D6/469,
D6/466, 457, 467, 449, 524, 534, 526, 417,
D6/511, 405, 416, 399; 211/74, 66, 70, 463,
211/77, 78, 71.01, 133.1, 13.1, 85.13, 60.1,
211/85.4; D19/85; 108/50.12, 94; D7/600;
D28/73

See application file for complete search history.

(56) **References Cited**

U.S. PATENT DOCUMENTS

- D22,568 S * 6/1893 Sencenbaugh et al. D6/416
- D67,378 S * 5/1925 Walker D6/469
- 1,643,735 A * 9/1927 Baker 211/85.4
- D89,960 S * 5/1933 Hakky D6/399
- D168,856 S * 2/1953 Peyser D6/416
- D211,295 S * 6/1968 Wolf D19/85
- 3,624,732 A * 11/1971 Bowden 108/50.12
- D234,381 S * 2/1975 Berger D6/469
- 3,951,079 A * 4/1976 Tolleson 108/94
- D282,336 S * 1/1986 Collins D7/600

- 5,423,509 A 6/1995 LaPorte et al.
- D366,372 S * 1/1996 Skarda, Jr. D6/417
- 6,129,220 A 10/2000 Decossas
- D435,740 S * 1/2001 Han D6/405
- D445,619 S * 7/2001 Achey D6/511
- 6,357,616 B1 3/2002 Harris et al.
- D477,734 S * 7/2003 Snell D6/534
- 6,796,441 B2 * 9/2004 Tremblay 211/74
- D499,918 S * 12/2004 Snell D6/534
- D502,786 S * 3/2005 Cheung D28/73
- D530,552 S * 10/2006 Snell D6/534
- D530,949 S * 10/2006 Snell D6/534
- D530,950 S * 10/2006 Dretzka D6/534

* cited by examiner

Primary Examiner—Caron D. Veynar
Assistant Examiner—Sydney R. Buffalow
(74) *Attorney, Agent, or Firm*—Charles J. Prescott

(57) **CLAIM**

The ornamental design for a portable gym workout caddy, as shown and described.

DESCRIPTION

FIG. 1 is a side elevation view identical in all orthogonal directions of a portable gym workout caddy showing my new design;

FIG. 2 is a top plan view thereof;

FIG. 3 is an upper perspective view thereof; and,

FIG. 4 is a lower perspective view thereof.

1 Claim, 4 Drawing Sheets

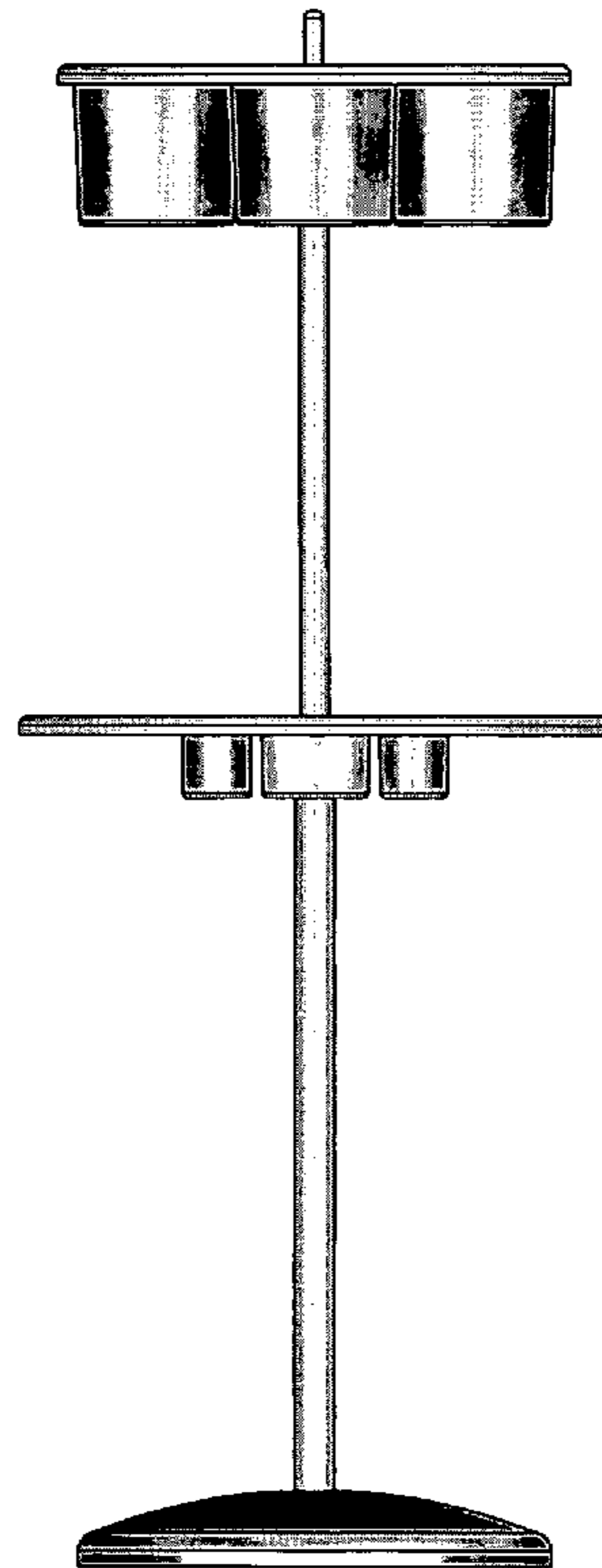


FIG. 1

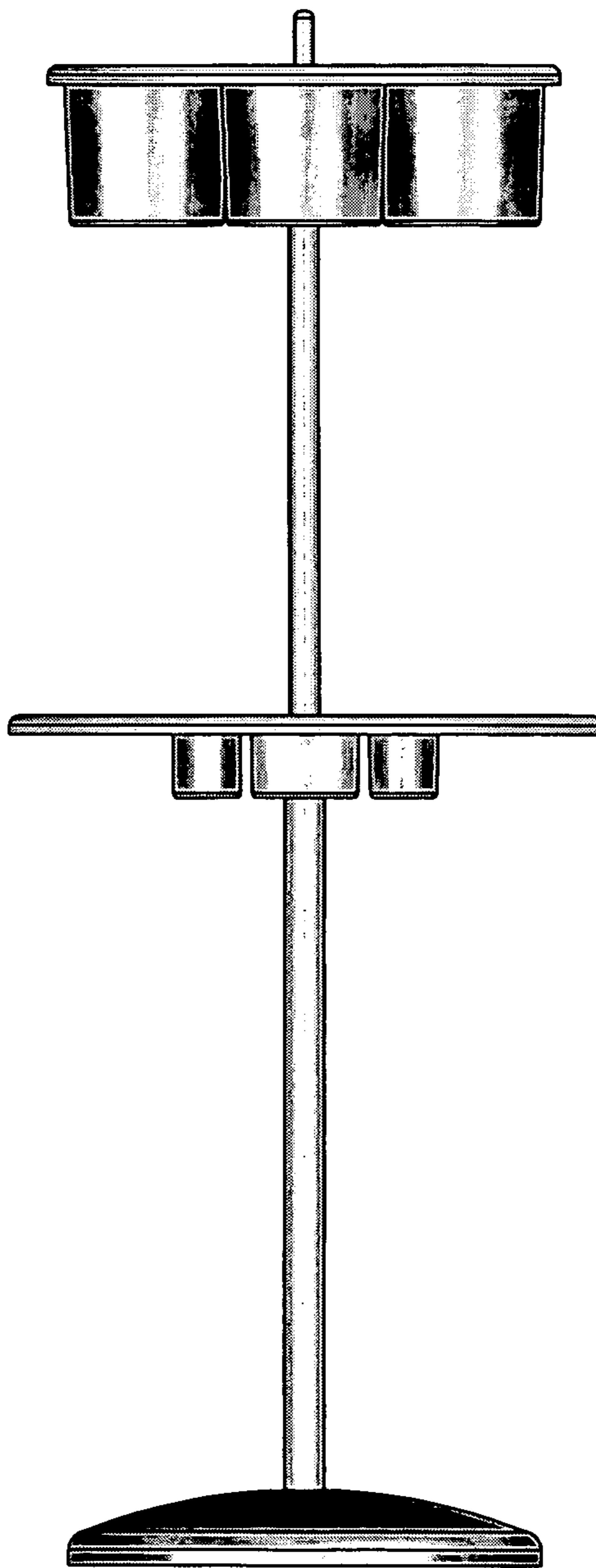


FIG. 2

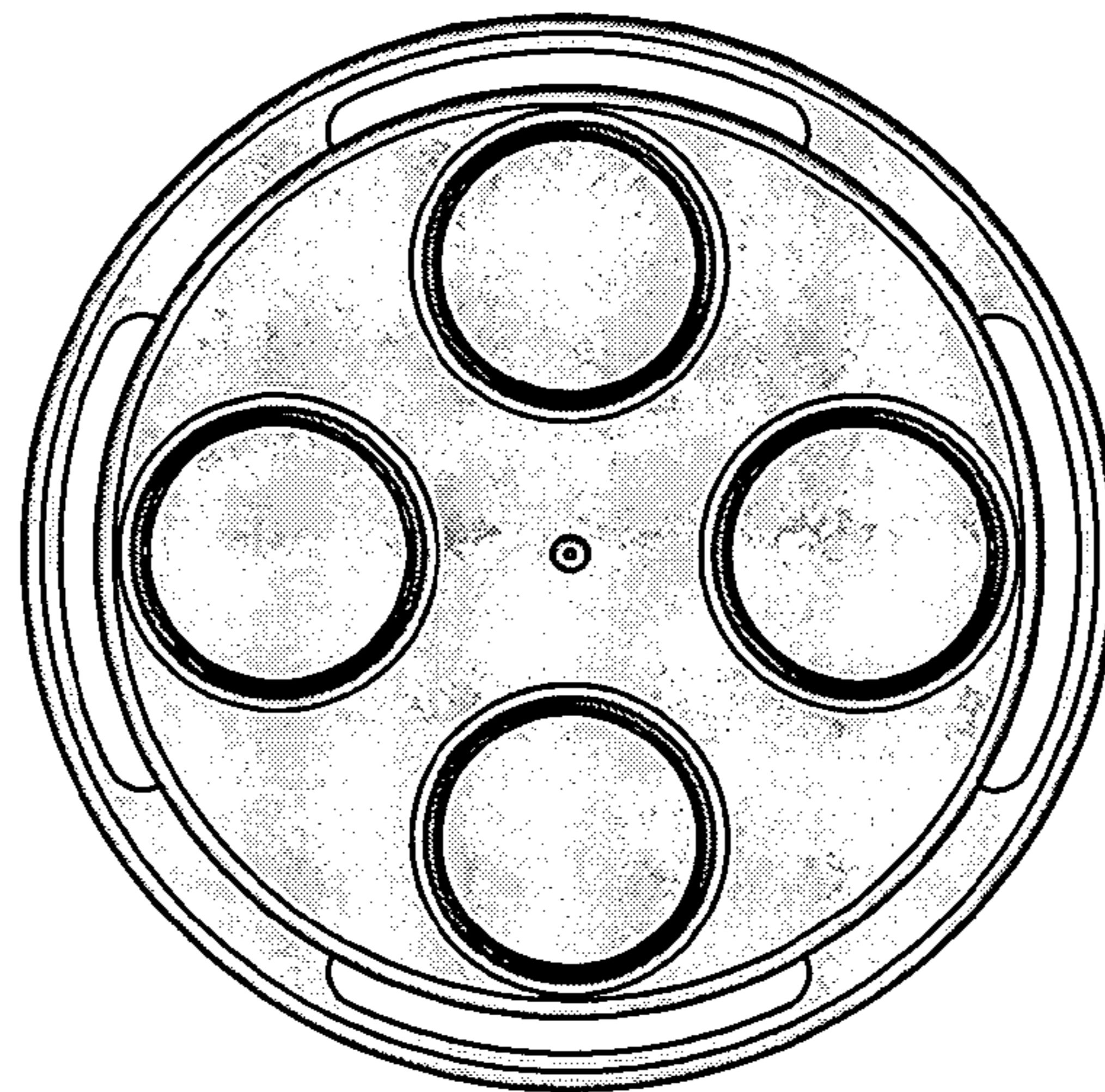


FIG. 3

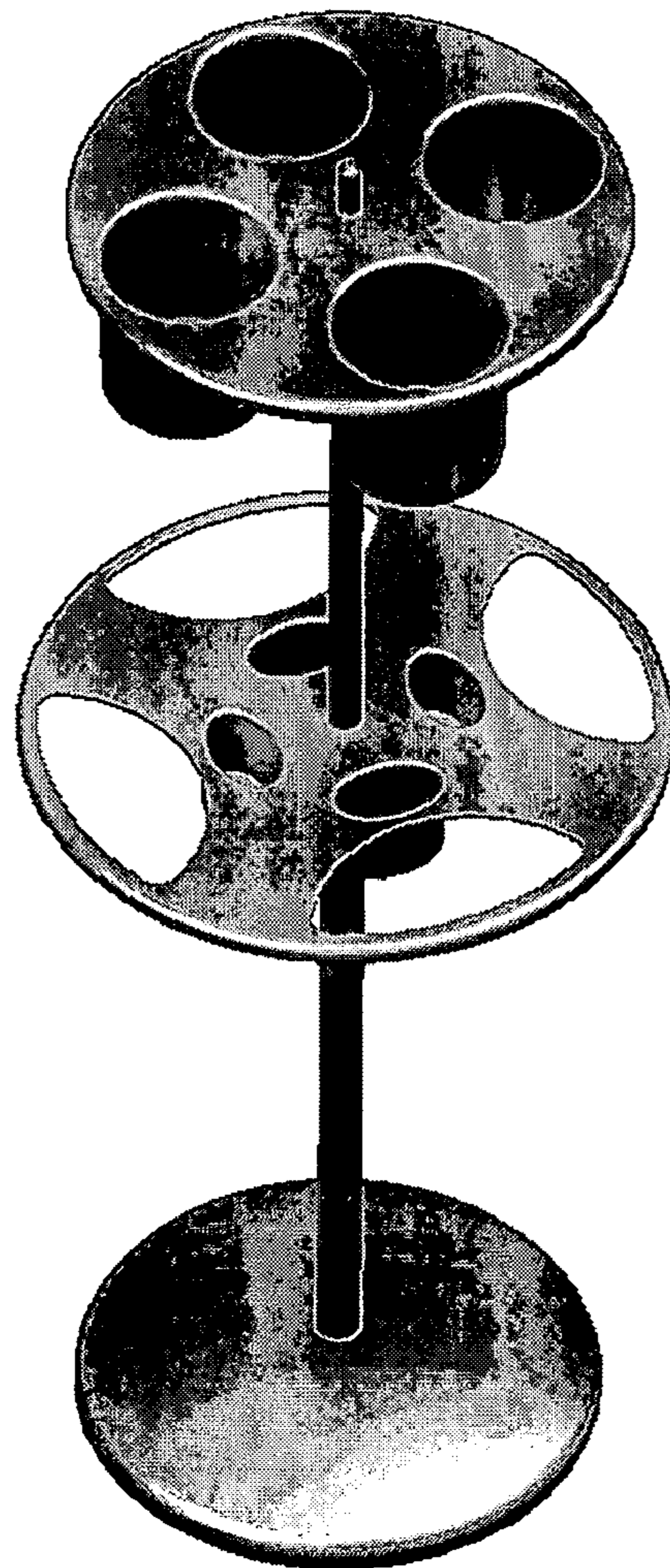


FIG. 4

