



US00D585663S

(12) **United States Design Patent**  
**Beckley**

(10) **Patent No.:** **US D585,663 S**  
(45) **Date of Patent:** **\*\* Feb. 3, 2009**

(54) **CABINET**

(75) Inventor: **Anthony P. Beckley**, Stratford (CA)

(73) Assignee: **Steelcase Development Corporation**,  
Grand Rapids, MI (US)

(\*\*) Term: **14 Years**

(21) Appl. No.: **29/280,616**

(22) Filed: **Jun. 1, 2007**

(51) **LOC (9) Cl.** ..... **06-04**

(52) **U.S. Cl.** ..... **D6/437**

(58) **Field of Classification Search** ..... D6/396-397,  
D6/425-426, 429, 432-448, 474, 477, 479-481,  
D6/484, 491, 509-510; D34/27; 108/106;  
312/107, 117, 125, 138.1, 204-205, 209,  
312/224, 241, 249.1, 249.11, 249.12, 257.1,  
312/282, 308, 332.1, 351, 902

See application file for complete search history.

(56) **References Cited**

**U.S. PATENT DOCUMENTS**

- 646,835 A 4/1900 Jackson
- D82,598 S 11/1930 Brownell
- 1,798,809 A 3/1931 Randall
- D84,756 S 7/1931 Ruppel
- D100,722 S 8/1936 Snyder et al.
- D111,013 S 8/1938 Carlson
- D115,670 S 7/1939 Hollindale
- D117,908 S 12/1939 Morgan
- D126,551 S 4/1941 Borchers
- D127,681 S 6/1941 Hodgman
- D131,217 S 1/1942 Braun
- D151,345 S 10/1948 Haviland
- D162,504 S 3/1951 Adkinson
- D163,264 S 5/1951 Drewitz
- D181,822 S 12/1957 Taubman
- D186,801 S 12/1959 Gehrie et al.
- D196,711 S 10/1963 Maffei
- D227,069 S 6/1973 Webb
- D236,779 S 9/1975 Wilbraham
- D239,350 S 3/1976 Vogt

- D243,377 S 2/1977 Moore
- D261,904 S 11/1981 Polhemus
- D275,431 S 9/1984 Usab
- D281,299 S 11/1985 Esslinger
- D305,708 S 1/1990 Newhouse
- D306,383 S 3/1990 Strater
- D311,829 S 11/1990 Vossought
- D311,833 S 11/1990 Newhouse
- D315,261 S \* 3/1991 Ng et al. .... D6/426
- 5,088,420 A \* 2/1992 Russell ..... 108/106
- D332,386 S 1/1993 Plummer
- D334,856 S \* 4/1993 Sielaff ..... D6/474
- D342,173 S 12/1993 Kirchner et al.

(Continued)

**OTHER PUBLICATIONS**

Bedside Cabinet—Vista, Hill-Rom, 2000.  
Hill-Rom Premium Bedside Cabinets, 2004.

*Primary Examiner*—Caron Veynar  
*Assistant Examiner*—Ricky Pham  
(74) *Attorney, Agent, or Firm*—Quarles & Brady, LLP

(57) **CLAIM**

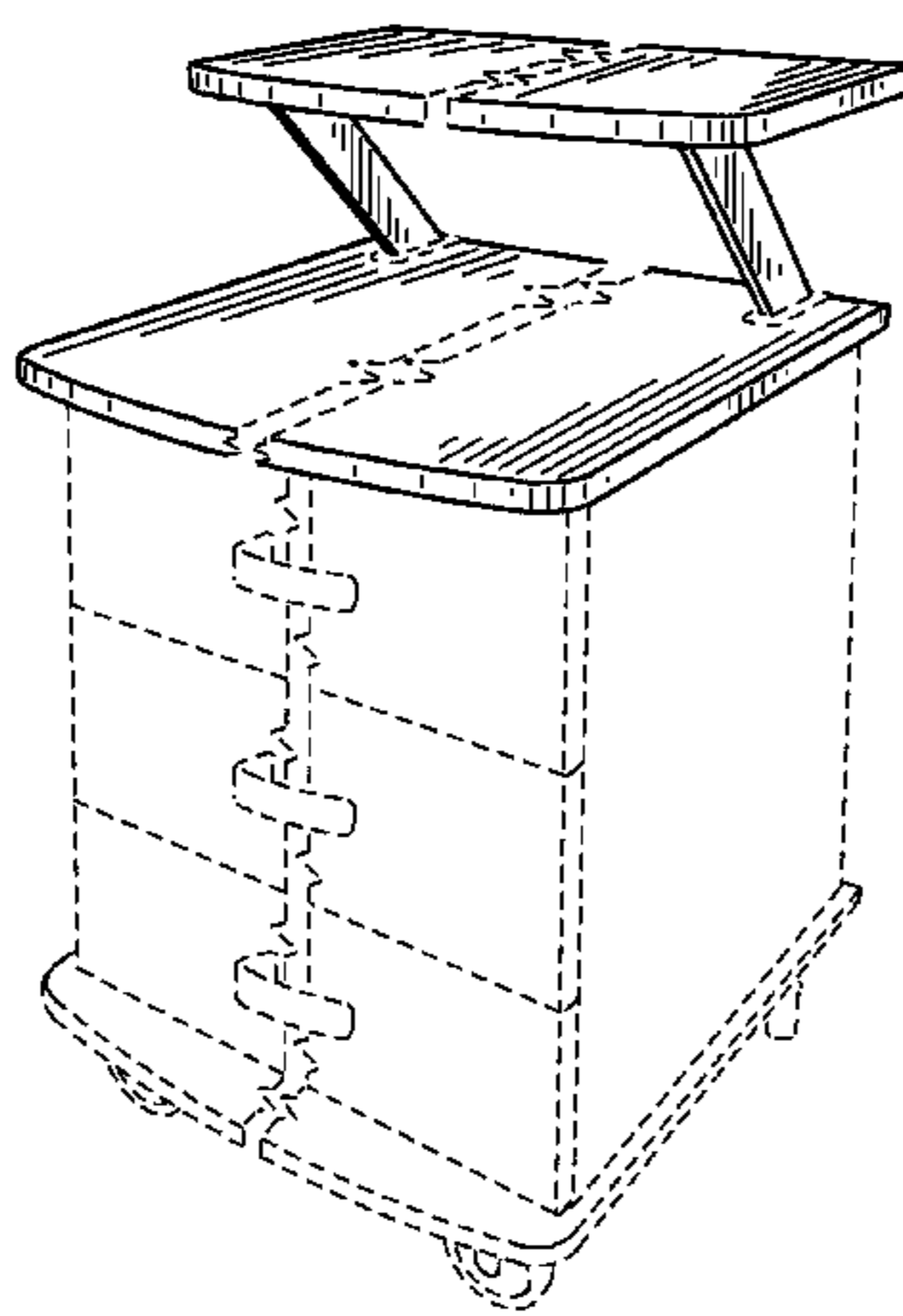
The ornamental design for a cabinet, as shown and described.

**DESCRIPTION**

FIG. 1 is a front, right, upper perspective view of a cabinet embodying my new design;  
FIG. 2 is a front elevational view thereof;  
FIG. 3 is a top plan view thereof;  
FIG. 4 is a right side elevational view thereof;  
FIG. 5 is a left side elevational view thereof; and,  
FIG. 6 is a rear elevational view thereof.

The broken lines shown in FIGS. 1-6 are for illustrative purposes only and form no part of the claimed design. The broken away portions shown in FIGS. 1-6 represent indeterminate width of the claimed design.

**1 Claim, 3 Drawing Sheets**



# US D585,663 S

Page 2

---

## U.S. PATENT DOCUMENTS

D346,712 S	5/1994	Brunner et al.	
D353,159 S	12/1994	Kirchner et al.	
D372,851 S	8/1996	Chen	
D376,590 S	12/1996	Kao et al.	
5,620,160 A	4/1997	Grabe	
5,833,190 A	11/1998	Bishop	
D414,350 S *	9/1999	Fear et al. ....	D6/426
D424,833 S	5/2000	Zaidman	
D431,733 S	10/2000	Zimmerman	
6,146,046 A	11/2000	Oberle	
D435,368 S *	12/2000	Tzeng .....	D6/480
D436,268 S *	1/2001	Ko .....	D6/484
D437,708 S	2/2001	Bargmann et al.	
D449,181 S	10/2001	Story et al.	
D466,723 S	12/2002	Heidmann et al.	
D473,078 S *	4/2003	Haberman .....	D6/480
6,550,875 B1	4/2003	Compton et al.	
D488,935 S	4/2004	Quintal	
D492,507 S	7/2004	Moon et al.	
D495,230 S	8/2004	Madlem et al.	
D498,499 S	11/2004	Fynn	
D521,277 S *	5/2006	Quintal .....	D6/481
D529,678 S *	10/2006	Hall .....	D34/27
D532,220 S *	11/2006	Domack et al. ....	D6/480
D559,586 S *	1/2008	Domack et al. ....	D6/436

\* cited by examiner

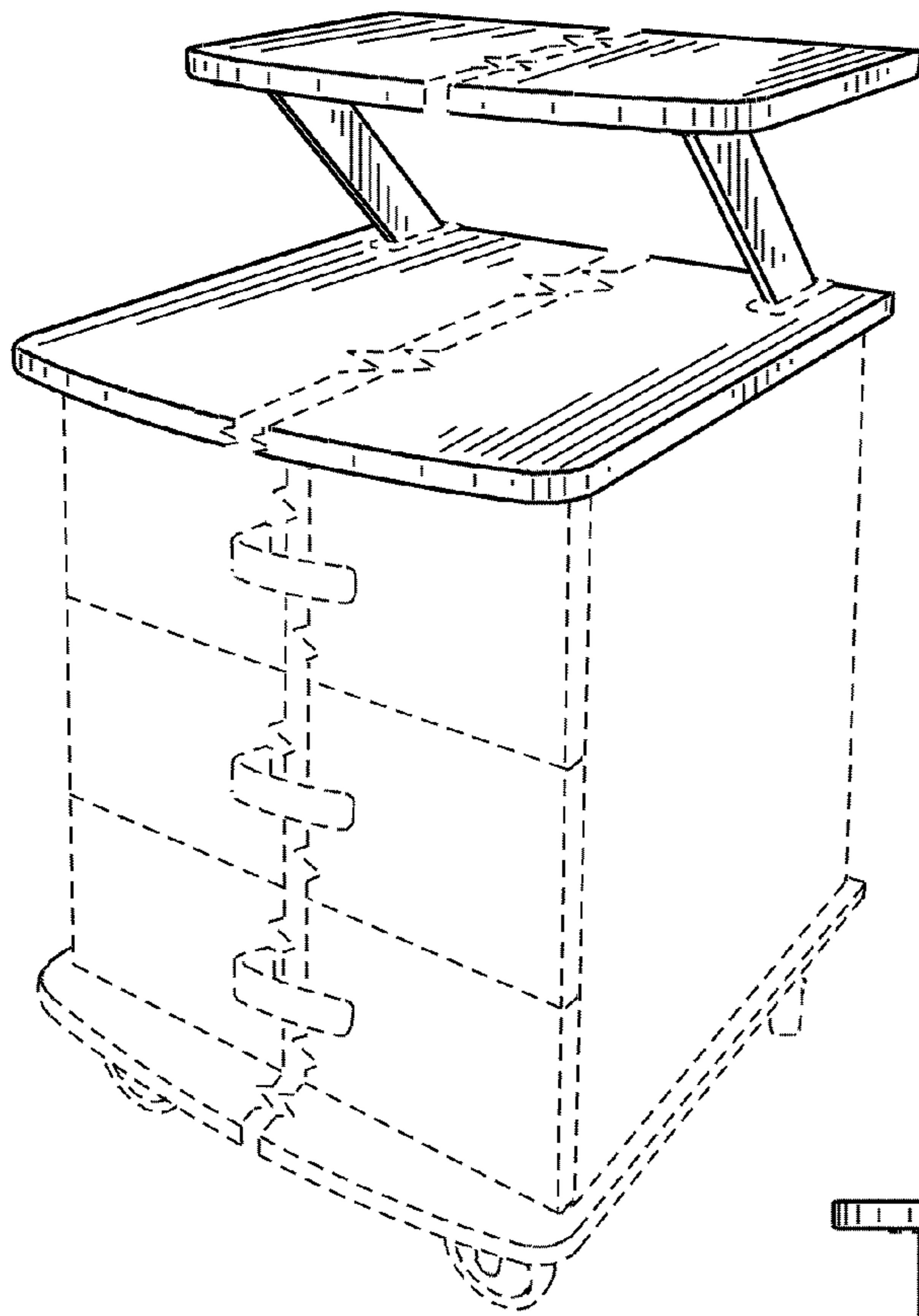
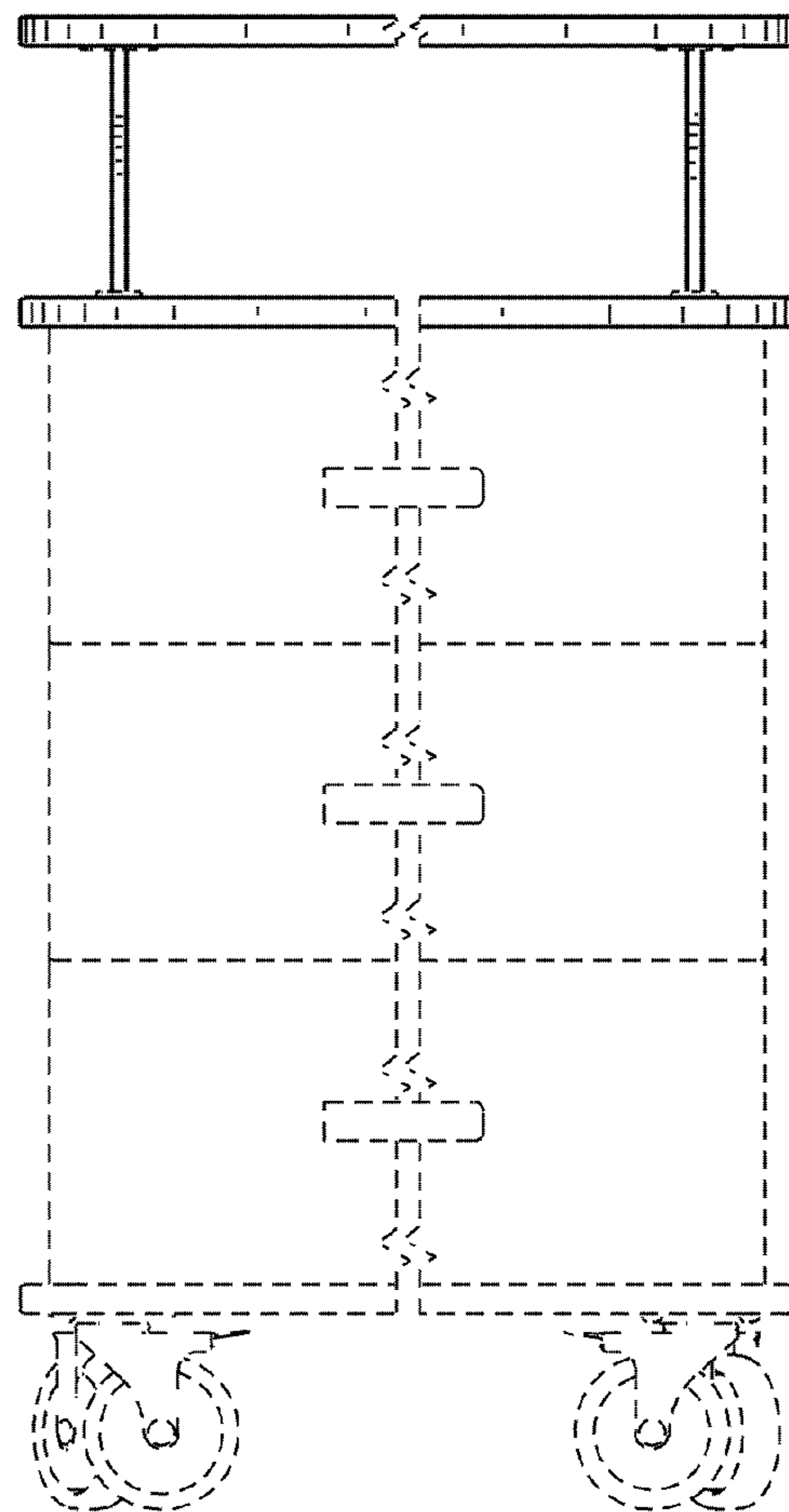


FIG. 1

FIG. 2



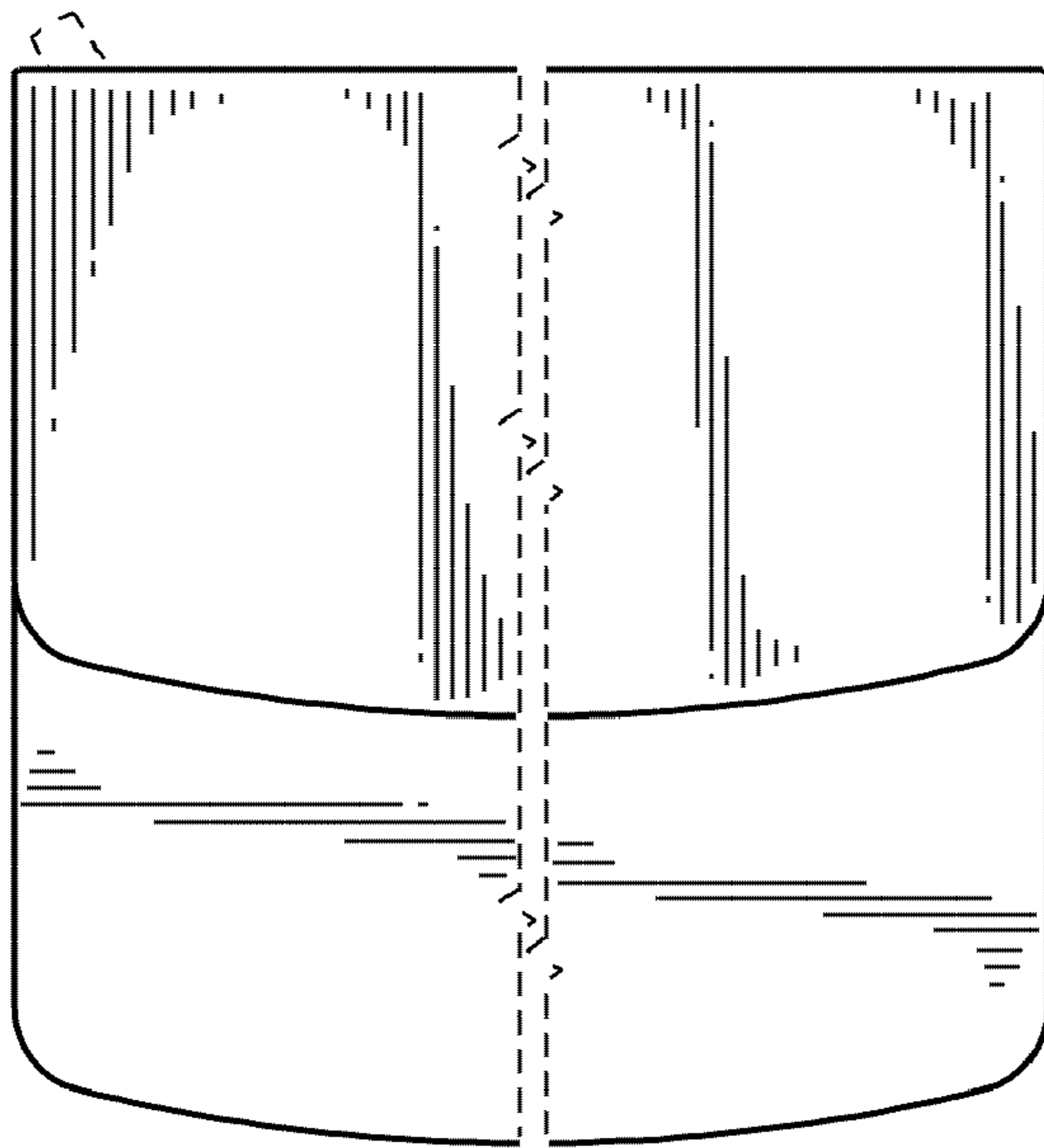


FIG. 3

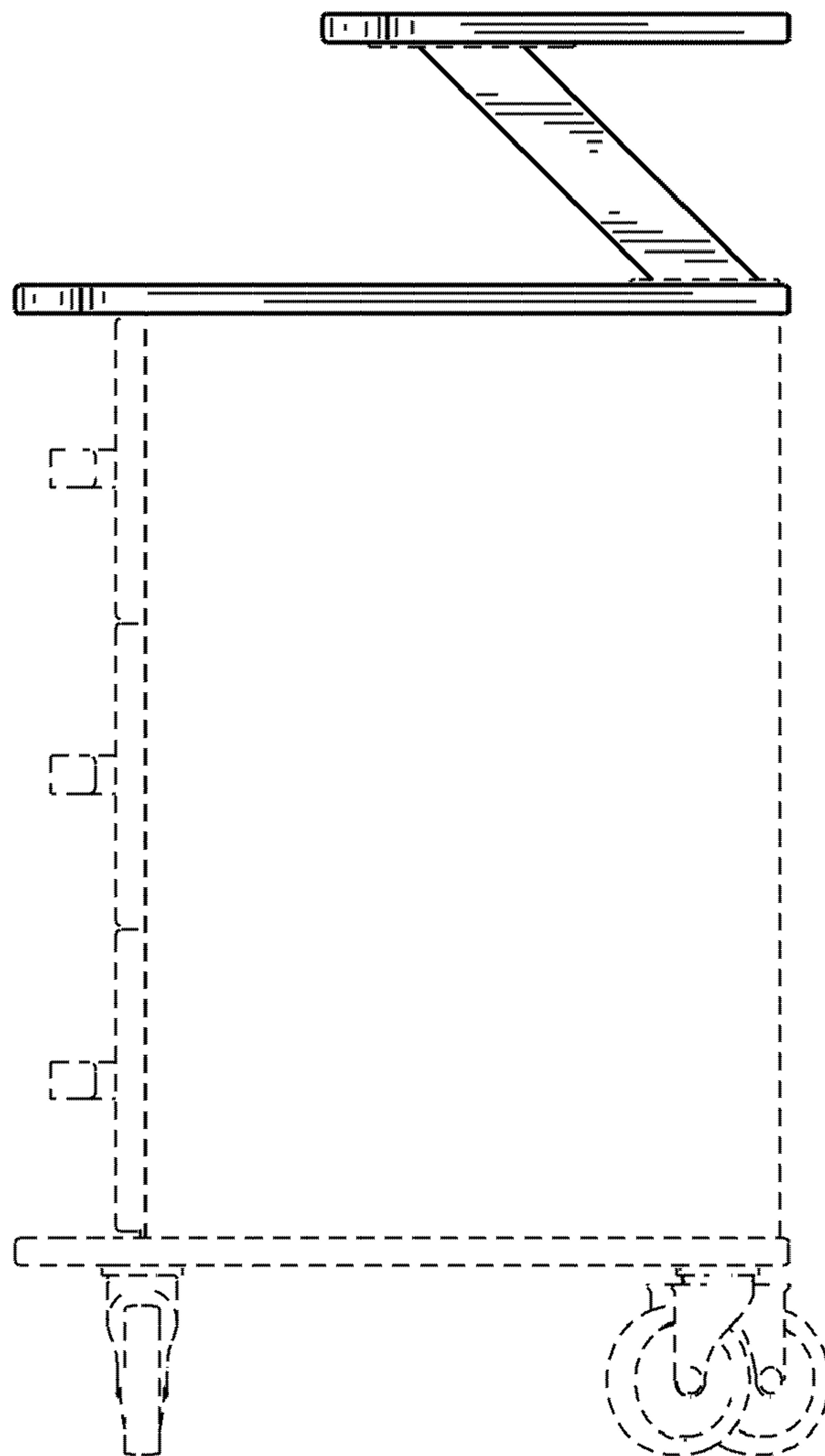


FIG. 4

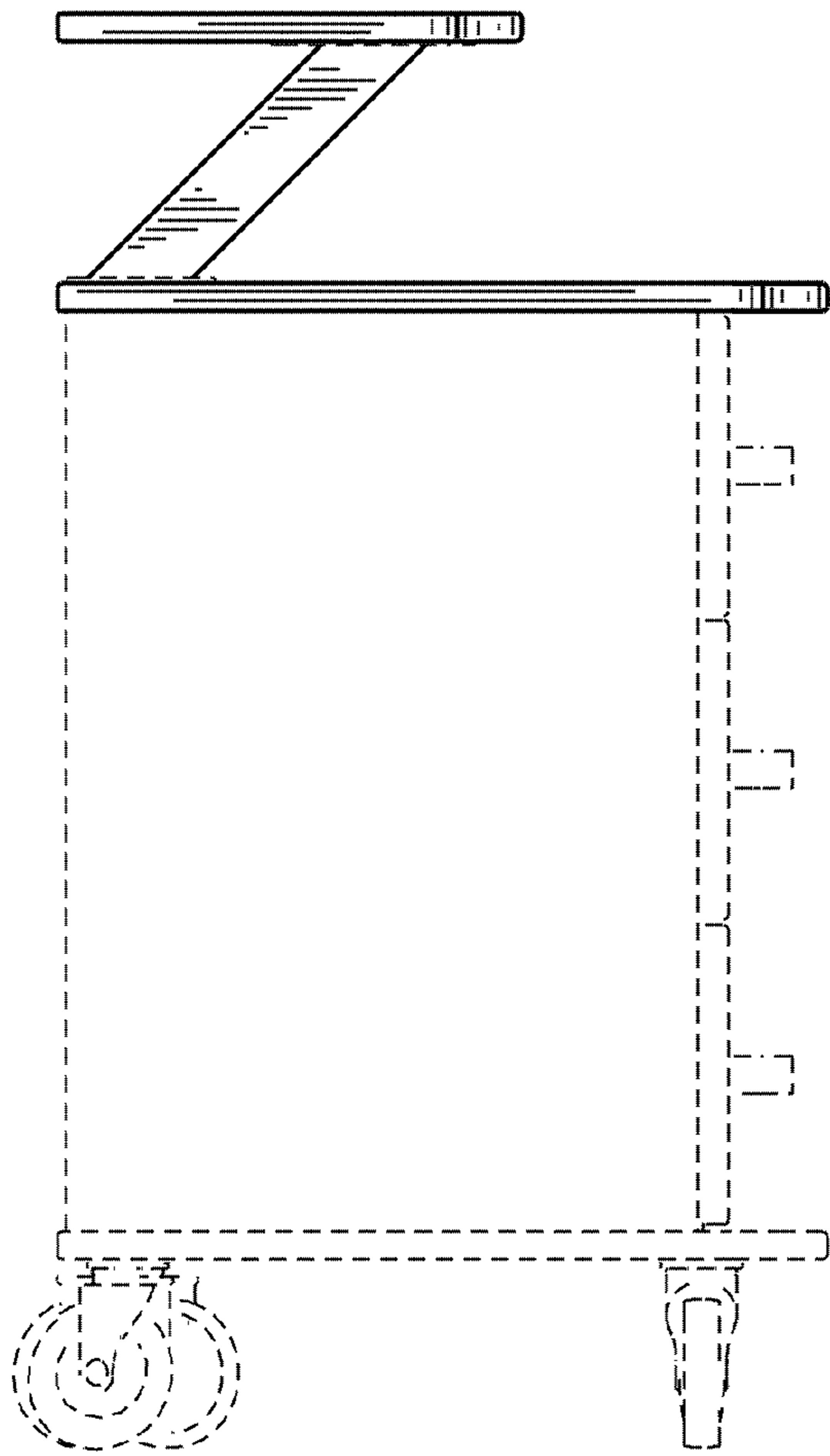


FIG. 5

FIG. 6

