



US00D585662S

(12) **United States Design Patent**  
**Swanson**

(10) **Patent No.:** **US D585,662 S**

(45) **Date of Patent:** **\*\* Feb. 3, 2009**

(54) **COMPUTER CABINET**

D472,402 S \* 4/2003 Wang ..... D6/436

(75) Inventor: **Todd Swanson**, Fort Worth, TX (US)

\* cited by examiner

(73) Assignee: **inTEST Corporation**, Cherry Hill, NJ (US)

*Primary Examiner*—Mimosa De

(74) *Attorney, Agent, or Firm*—RatnerPrestia

(\*\*) Term: **14 Years**

(57) **CLAIM**

(21) Appl. No.: **29/295,048**

The ornamental design for a computer cabinet, as shown and described.

(22) Filed: **Sep. 20, 2007**

**DESCRIPTION**

(51) **LOC (9) Cl.** ..... **06-04**

FIG. 1 is a front perspective view of the computer cabinet of the invention showing the overall profile as well as the movable tray thereof;

(52) **U.S. Cl.** ..... **D6/436**

FIG. 2 is a front view of the computer cabinet of FIG. 1;

(58) **Field of Classification Search** ..... D6/396,  
D6/397, 425, 430, 432, 434, 436-448, 479,  
D6/509, 510, 511; 312/138.1, 198, 204,  
312/224, 213, 237, 257.1, 348.4; D34/19,  
D34/20, 21

FIG. 3 is a right side view of the computer cabinet of the invention;

See application file for complete search history.

FIG. 4 is a left side view of the computer cabinet of FIG. 1;

FIG. 5 is a back view of the computer cabinet of FIG. 1; and,

FIG. 6 is a bottom view of the computer cabinet of the invention.

The broken lines shown in the drawing are for illustrative purposes only and form no part of the claimed design.

(56) **References Cited**

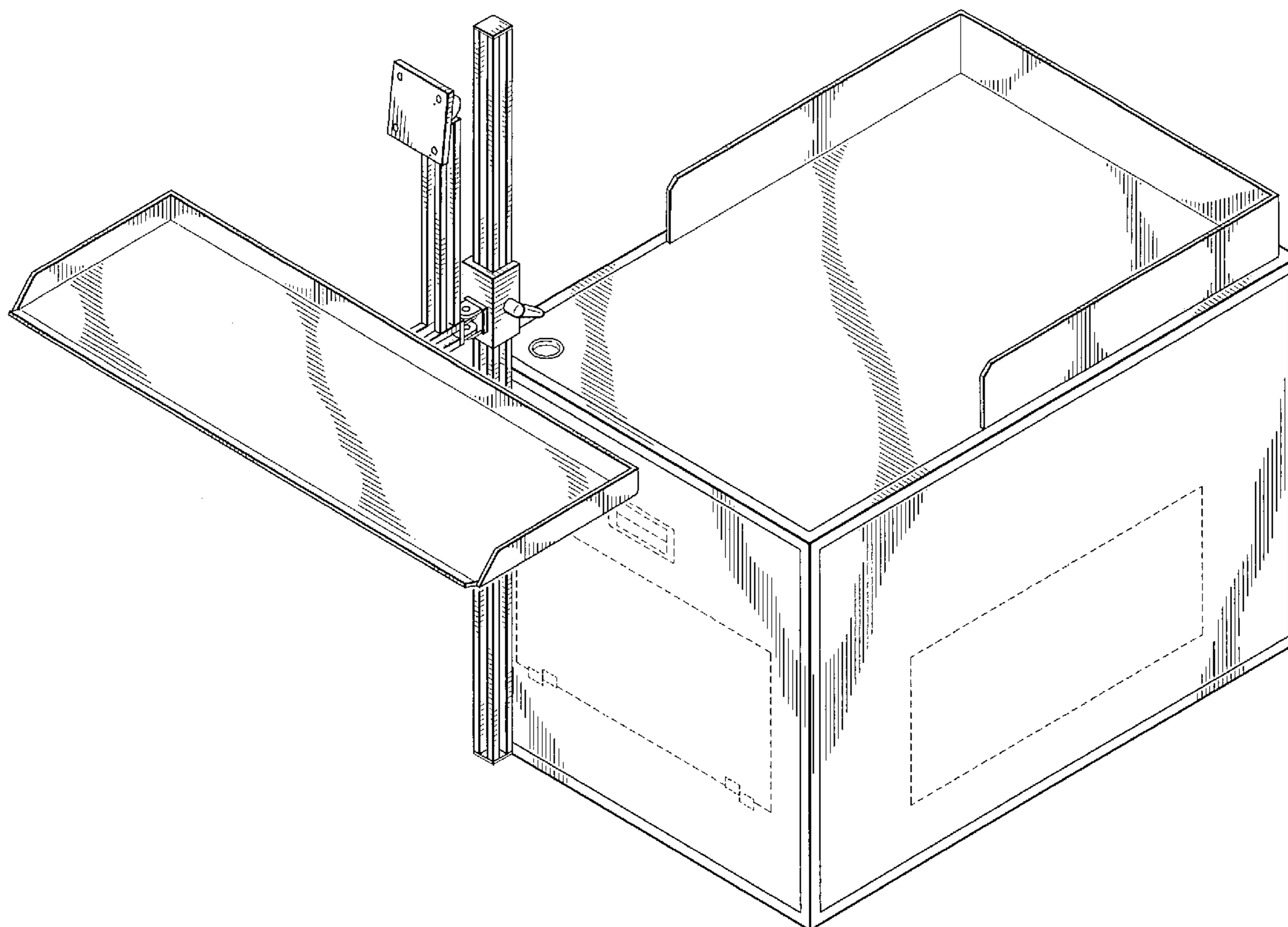
**U.S. PATENT DOCUMENTS**

D388,975 S \* 1/1998 Naas et al. .... D6/425

D407,233 S \* 3/1999 Naas et al. .... D6/425

D471,734 S \* 3/2003 Goss ..... D6/438

**1 Claim, 6 Drawing Sheets**



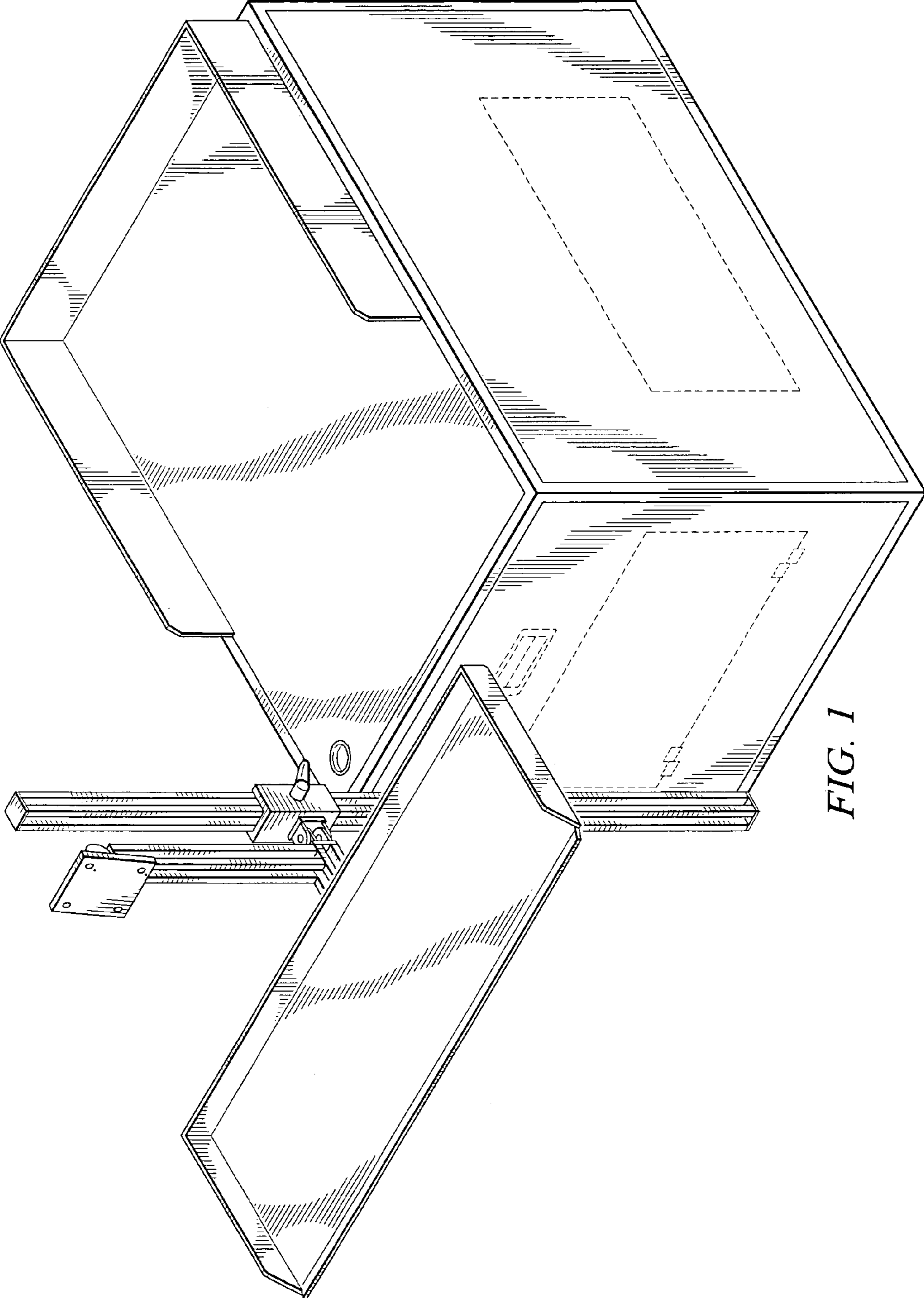


FIG. 1

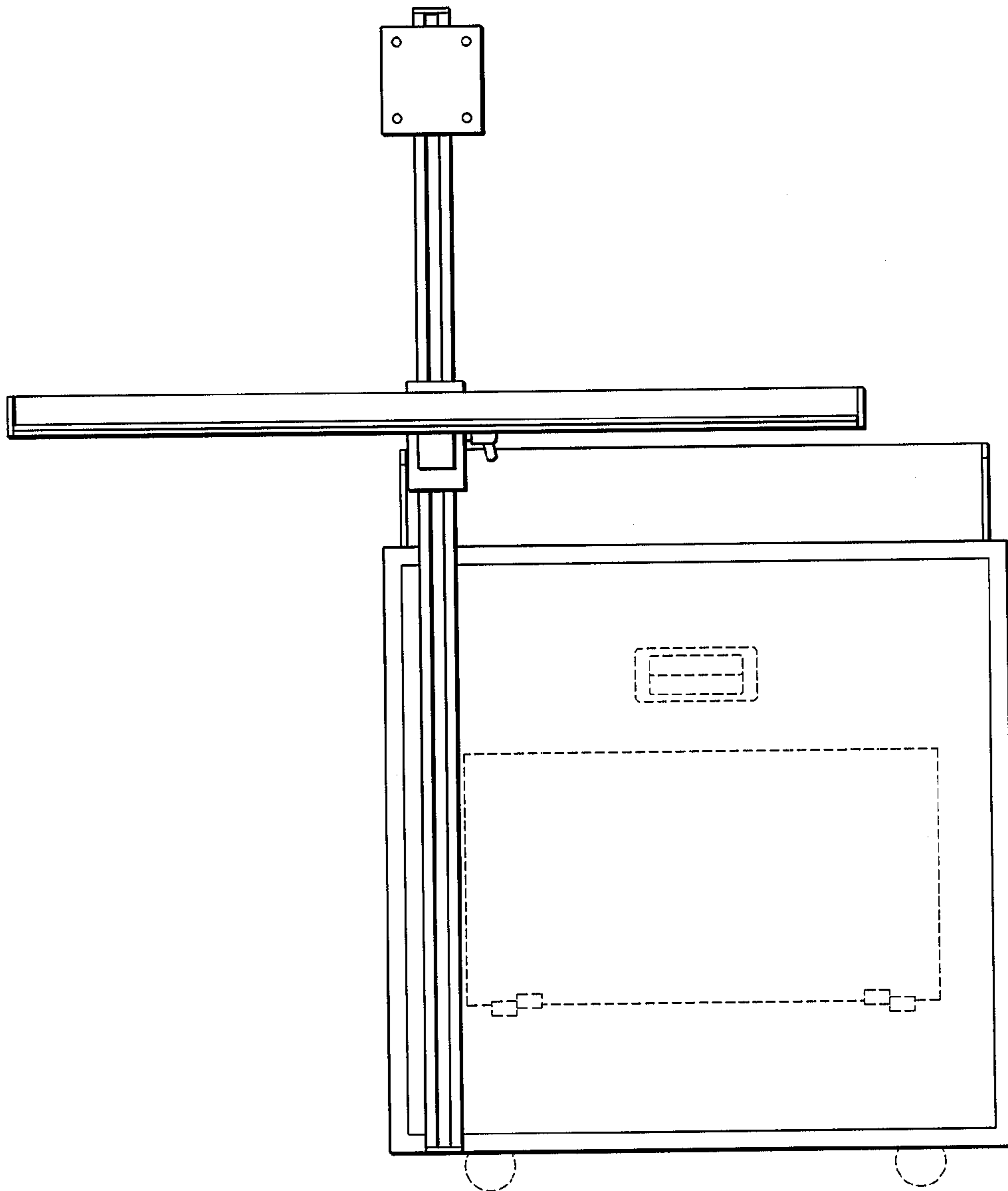


FIG. 2

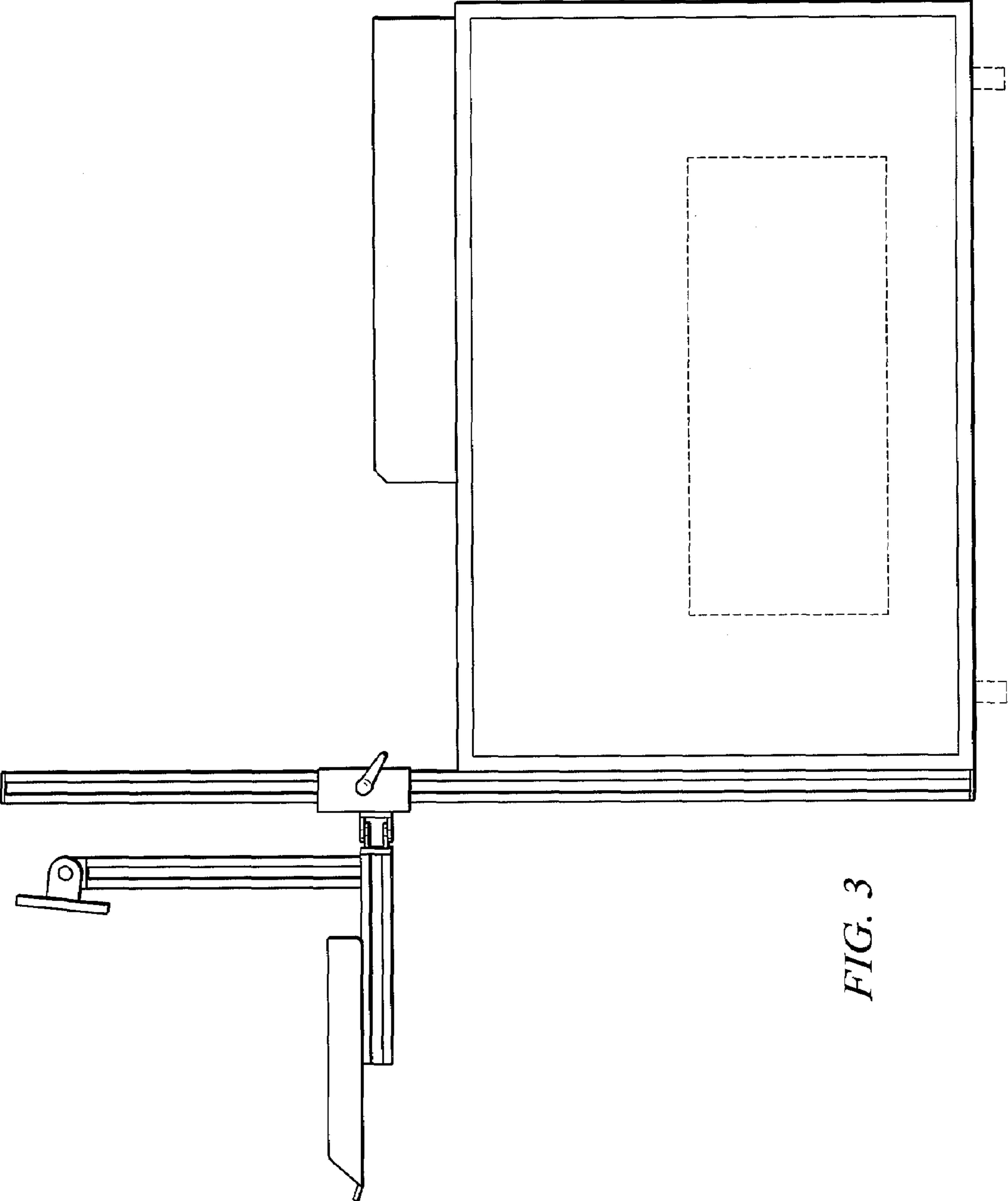


FIG. 3

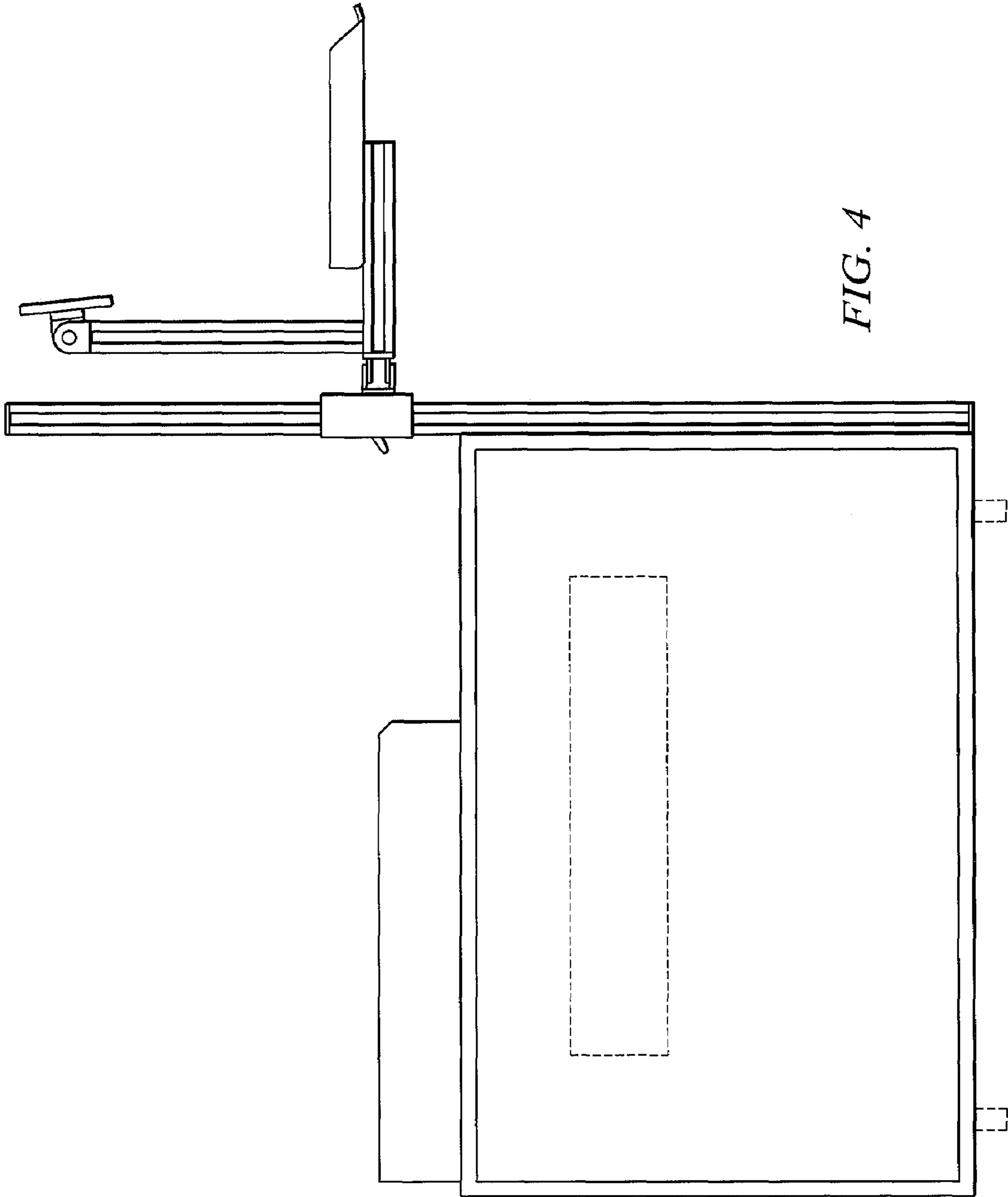


FIG. 4

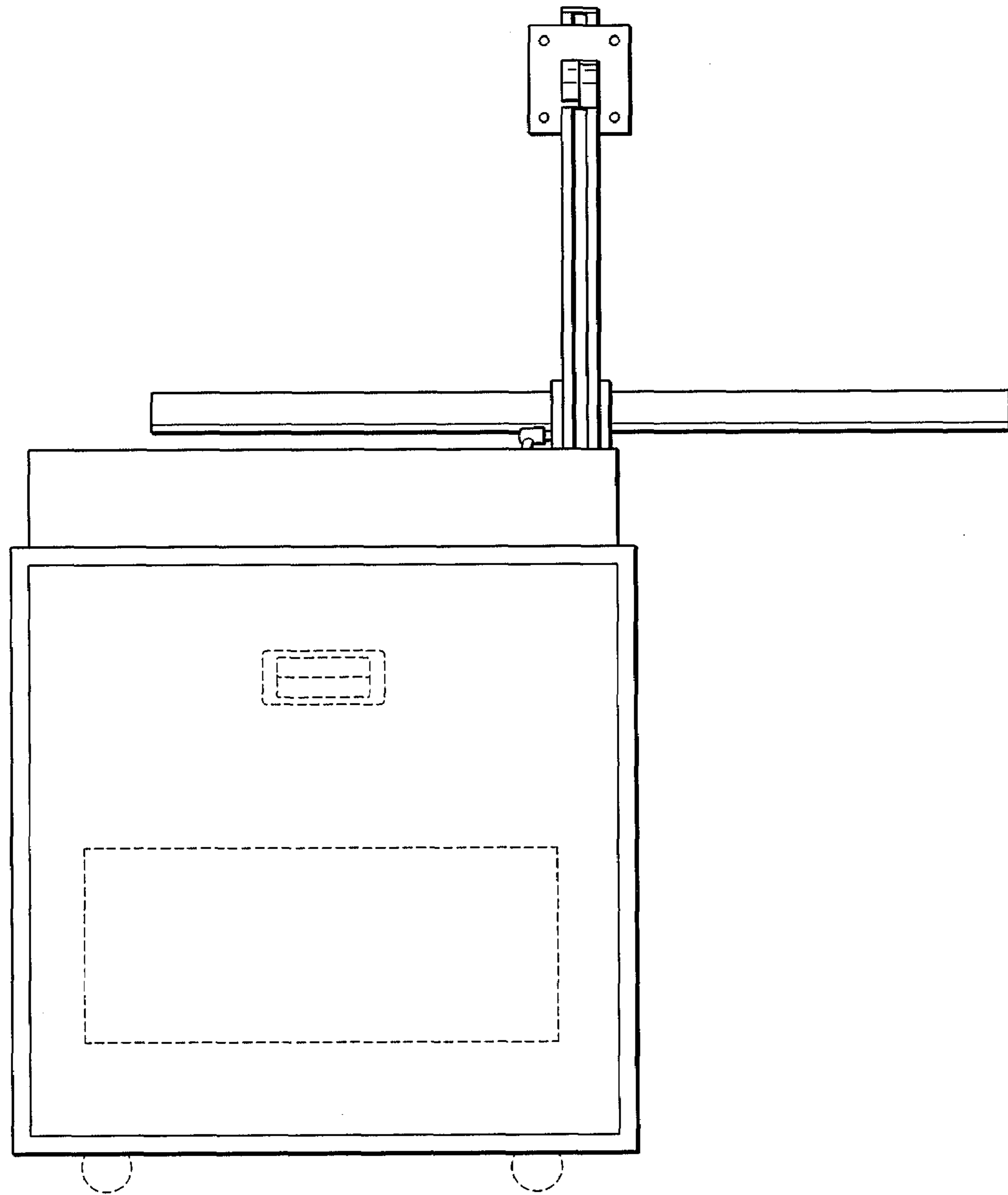


FIG. 5

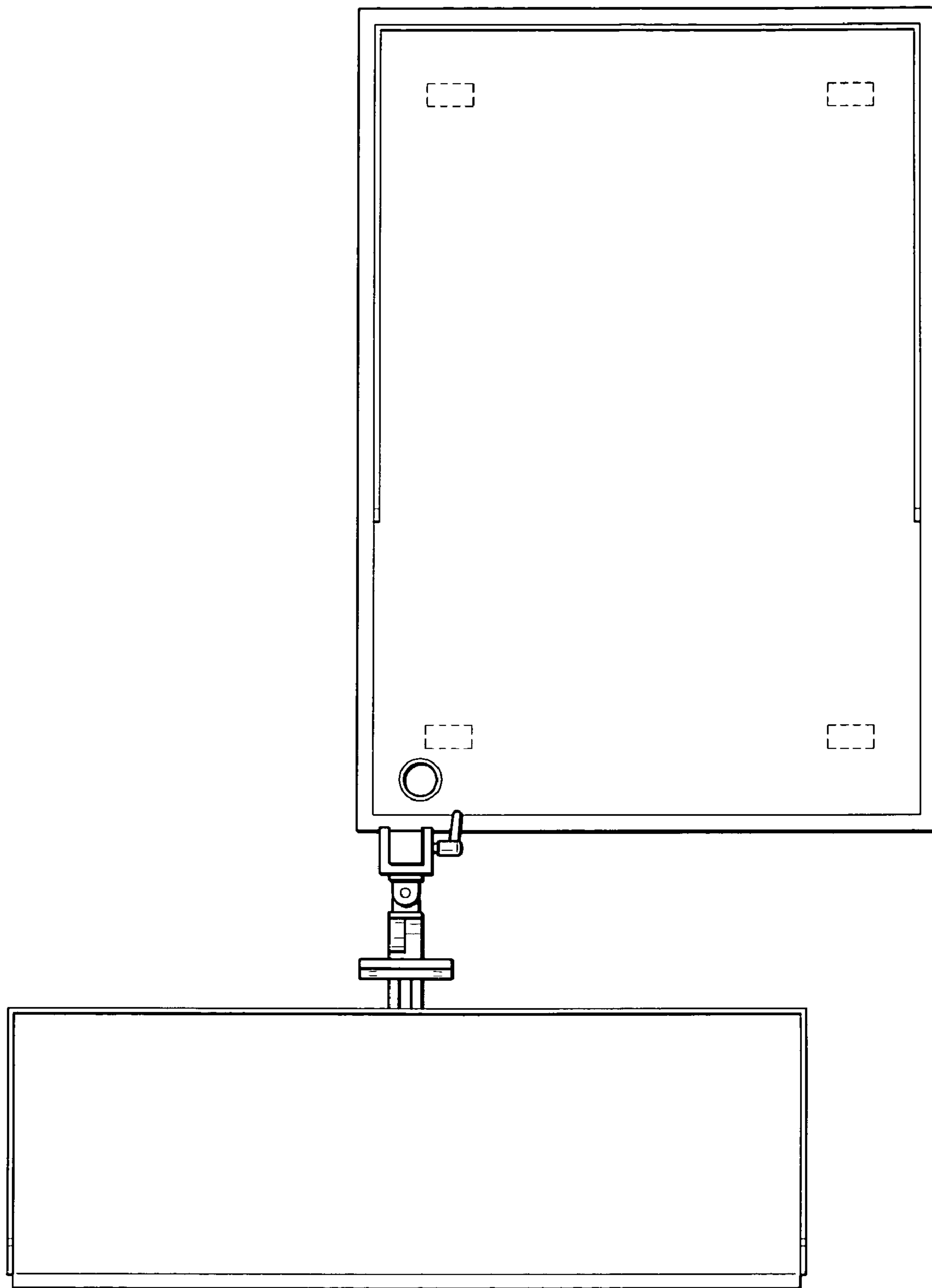


FIG. 6