



US00D585661S

(12) **United States Design Patent**  
**Betts**

(10) **Patent No.:** **US D585,661 S**

(45) **Date of Patent:** **\*\* Feb. 3, 2009**

(54) **SHOETREE**

(76) **Inventor:** **Joyce T. Betts**, P.O. Box 22042,  
Huntsville, AL (US) 35814

(\*\*) **Term:** **14 Years**

(21) **Appl. No.:** **29/294,701**

(22) **Filed:** **Jan. 25, 2008**

(51) **LOC (9) Cl.** ..... **06-04**

(52) **U.S. Cl.** ..... **D6/411**

(58) **Field of Classification Search** ..... D6/411.397,  
D6/509, 487, 462, 467, 457, 449, 322, 415,  
D6/498, 431; 211/166, 115, 205, 70, 13.1,  
211/85.2, 85.8, 34; D12/426.1

See application file for complete search history.

(56) **References Cited**

**U.S. PATENT DOCUMENTS**

D95,797 S *	6/1935	Berger	.....	D6/415
D216,450 S *	1/1970	Chiarello	.....	D6/458
D275,154 S *	8/1984	Stoiber	.....	D6/431
D295,594 S *	5/1988	du Rees	.....	D6/498

D322,524 S *	12/1991	Allen	.....	D6/411
D329,341 S *	9/1992	Rhodes	.....	D6/457
D356,902 S *	4/1995	Crowell	.....	D12/426.1
D463,160 S *	9/2002	Chang	.....	D6/411
7,159,728 B2 *	1/2007	Smith	.....	211/166
D574,165 S *	8/2008	Kornowski	.....	D6/457

\* cited by examiner

*Primary Examiner*—Caron Veynar

*Assistant Examiner*—Sydney R Buffalow

(74) *Attorney, Agent, or Firm*—Rodgers & Rodgers

(57) **CLAIM**

The ornamental design for a shoetree, as shown.

**DESCRIPTION**

FIG. 1 is a perspective view of a shoetree showing my new design;

FIG. 2 is a side elevational view thereof;

FIG. 3 is a top plan view thereof; and,

FIG. 4 is a bottom plan view thereof.

**1 Claim, 2 Drawing Sheets**

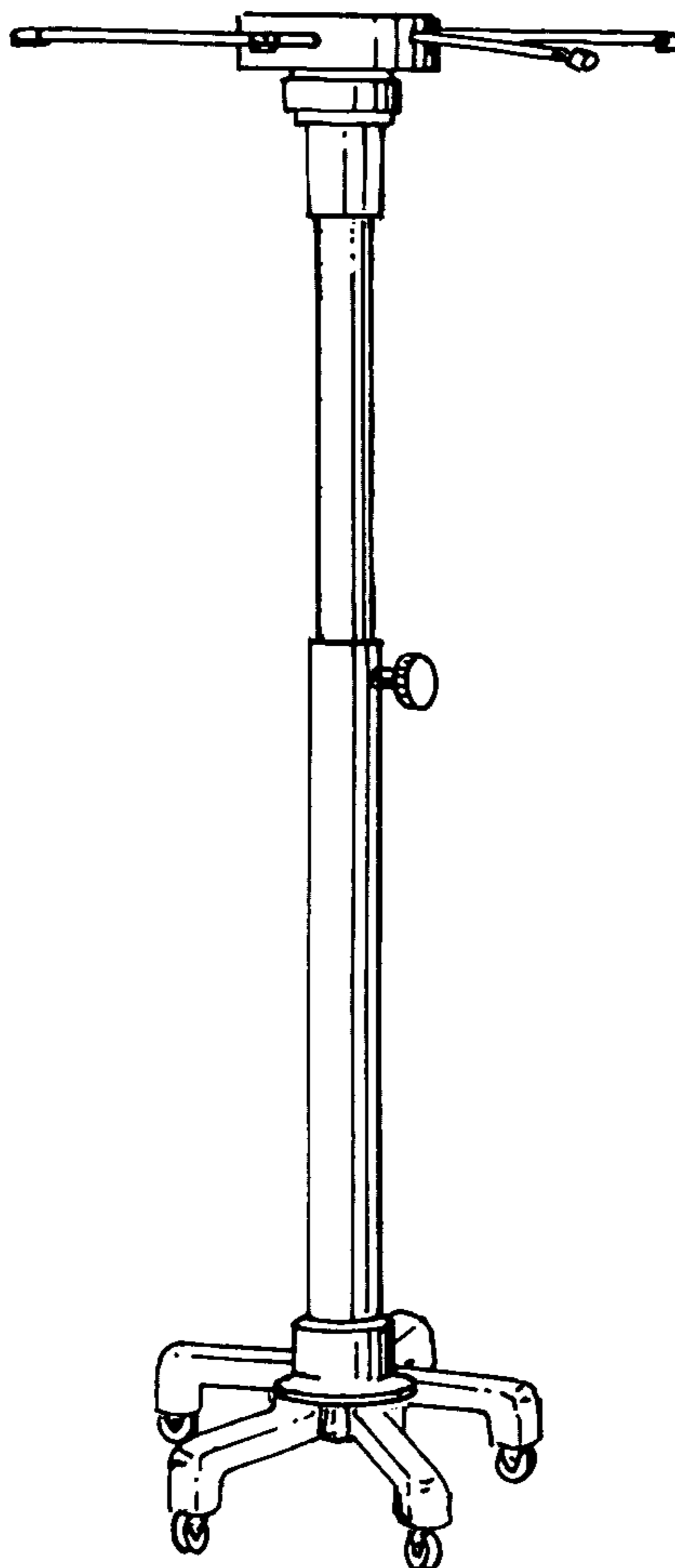


FIG. 1

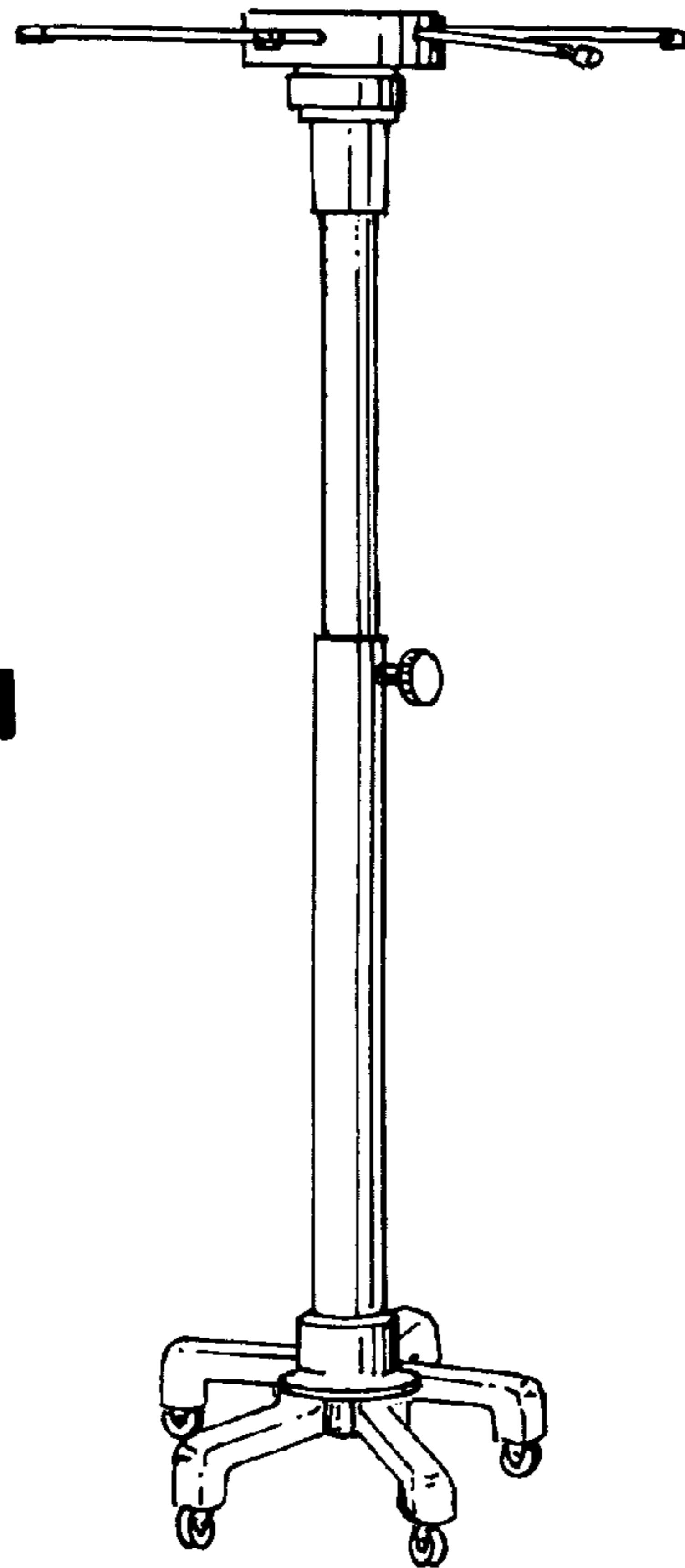
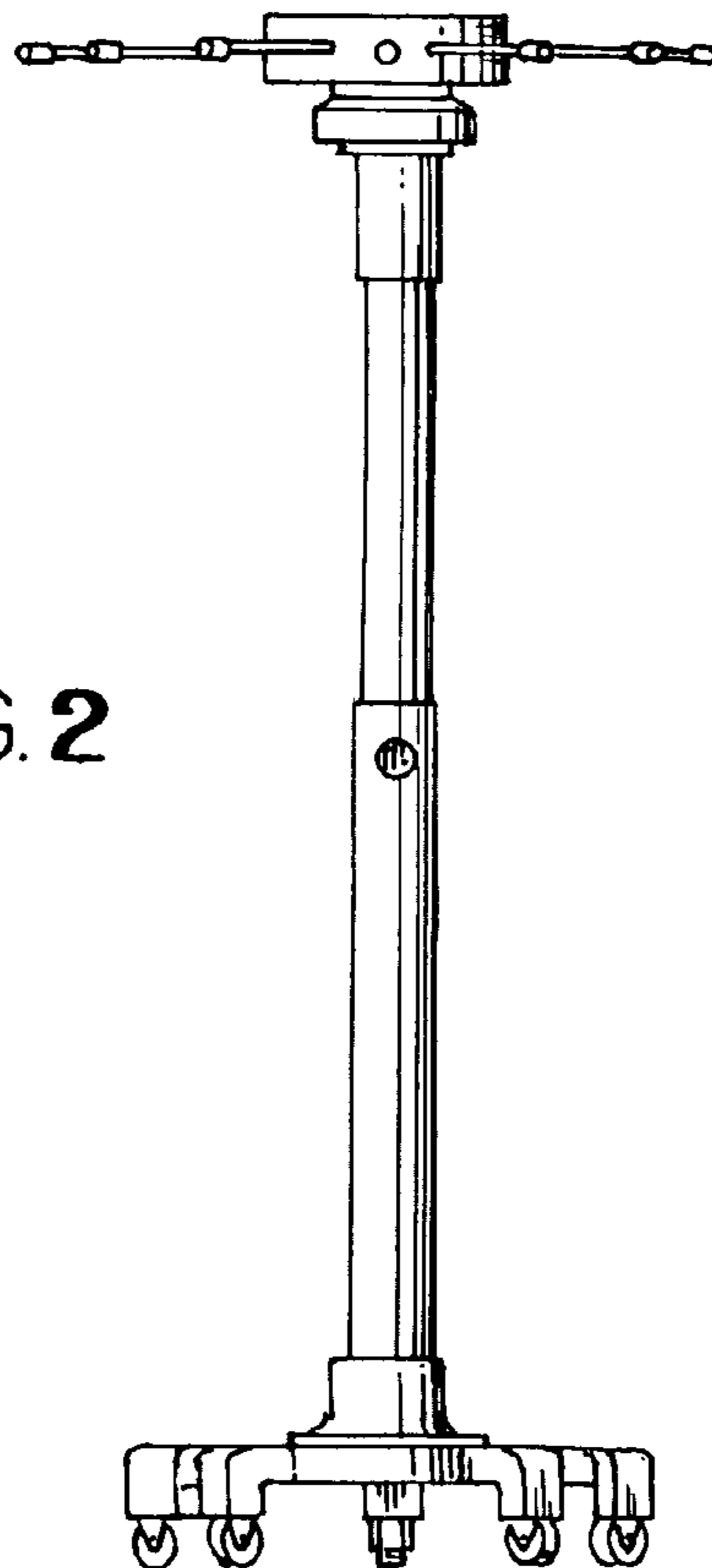
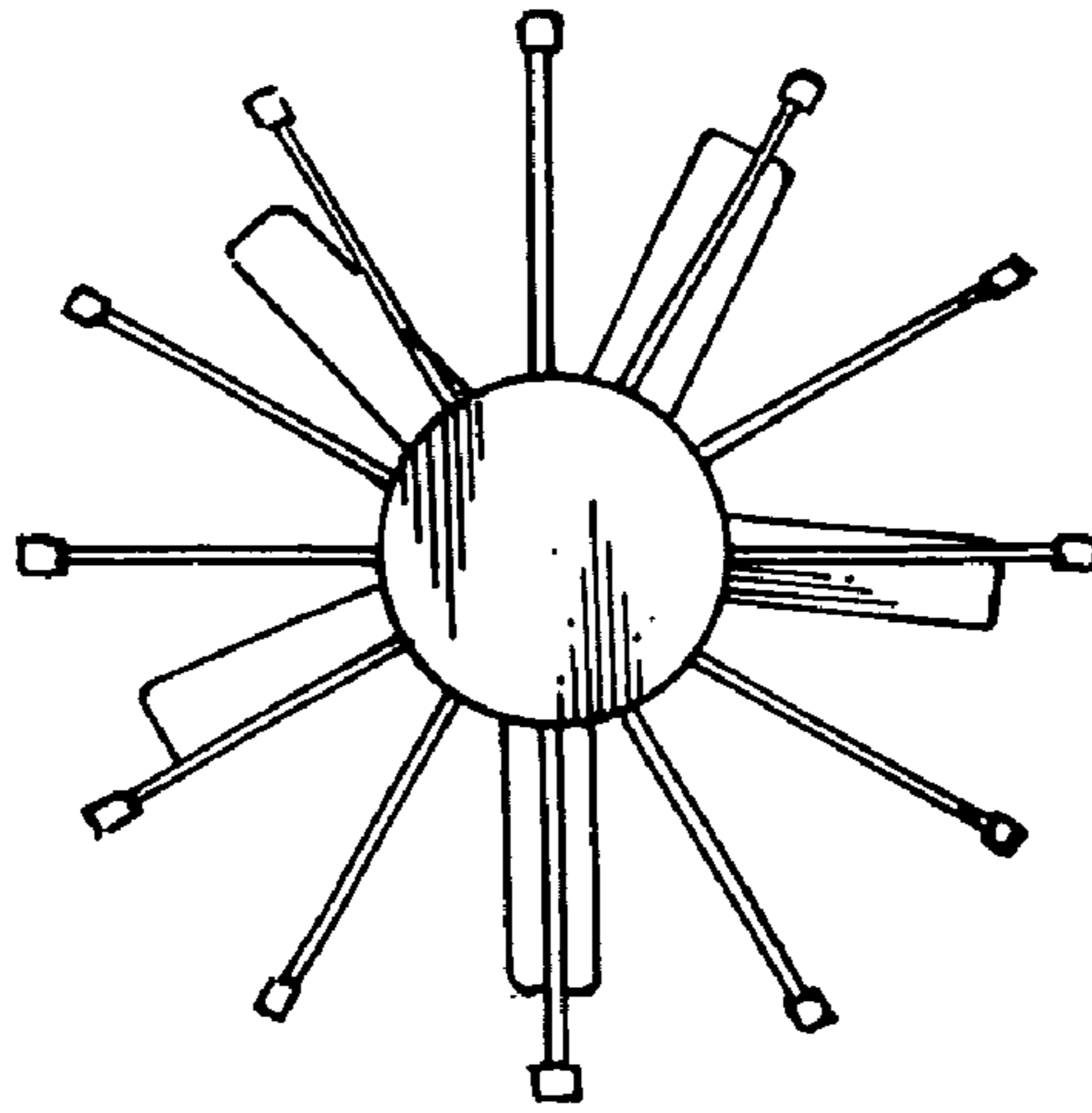
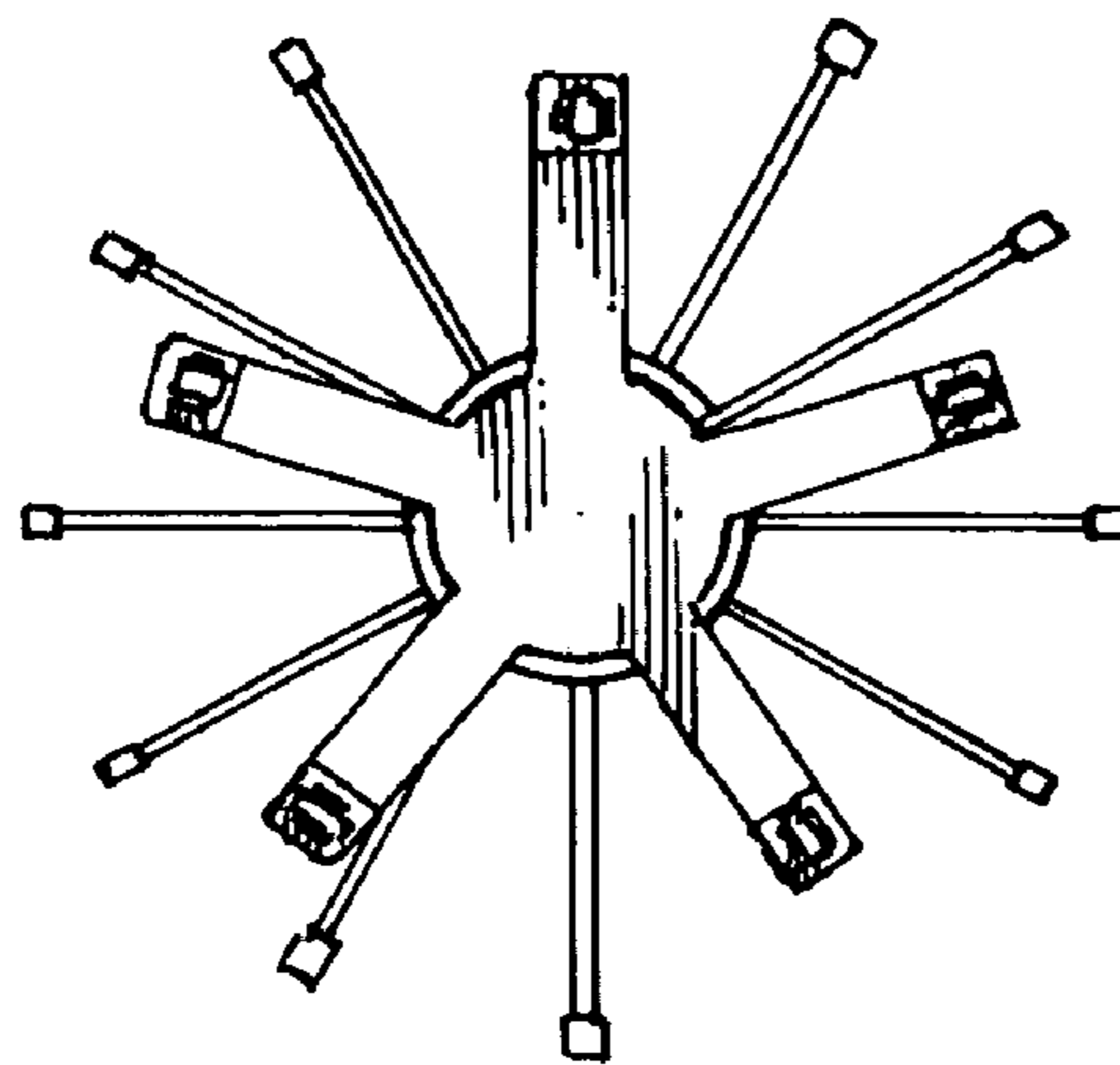


FIG. 2





**FIG. 3**



**FIG. 4**