



US00D585655S

(12) **United States Design Patent**
Pearson et al.

(10) **Patent No.:** **US D585,655 S**

(45) **Date of Patent:** **** Feb. 3, 2009**

(54) **CHAIR**

(76) Inventors: **Luke Neil Pearson**, 11 Bushley Hill Road, London (GB) SES 8OF; **Tom Zachary Lloyd**, 45 Ellingfort Road, London (GB) E8 3PA

(**) Term: **14 Years**

(21) Appl. No.: **29/286,686**

(22) Filed: **May 16, 2007**

(51) **LOC (9) Cl.** **06-01**

(52) **U.S. Cl.** **D6/366**

(58) **Field of Classification Search** D6/366,
D6/375, 370, 334-336, 358, 364-367, 372-374,
D6/379, 356, 498, 500-502; 297/411.2,
297/411.27, 411.28, 411.36, 452.29, 284.4,
297/452.3

See application file for complete search history.

(56) **References Cited**

U.S. PATENT DOCUMENTS

D253,205 S * 10/1979 Buhk D6/366
D515,831 S * 2/2006 Hosoe D6/360
D528,830 S * 9/2006 Kita D6/500

D554,382 S * 11/2007 Nobles et al. D6/366
D557,916 S * 12/2007 Dietrich D6/366
D560,380 S * 1/2008 Mourgue D6/366
D562,019 S * 2/2008 Lievore D6/366
D568,617 S * 5/2008 Jehs et al. D6/366

* cited by examiner

Primary Examiner—Robert M. Spear
Assistant Examiner—Katrina A Kile
(74) *Attorney, Agent, or Firm*—Salter & Michaelson

(57) **CLAIM**

The ornamental design for a chair, as shown.

DESCRIPTION

FIG. 1 is a front elevational view showing a chair having our new design;

FIG. 2 is a rear elevational view showing the chair;

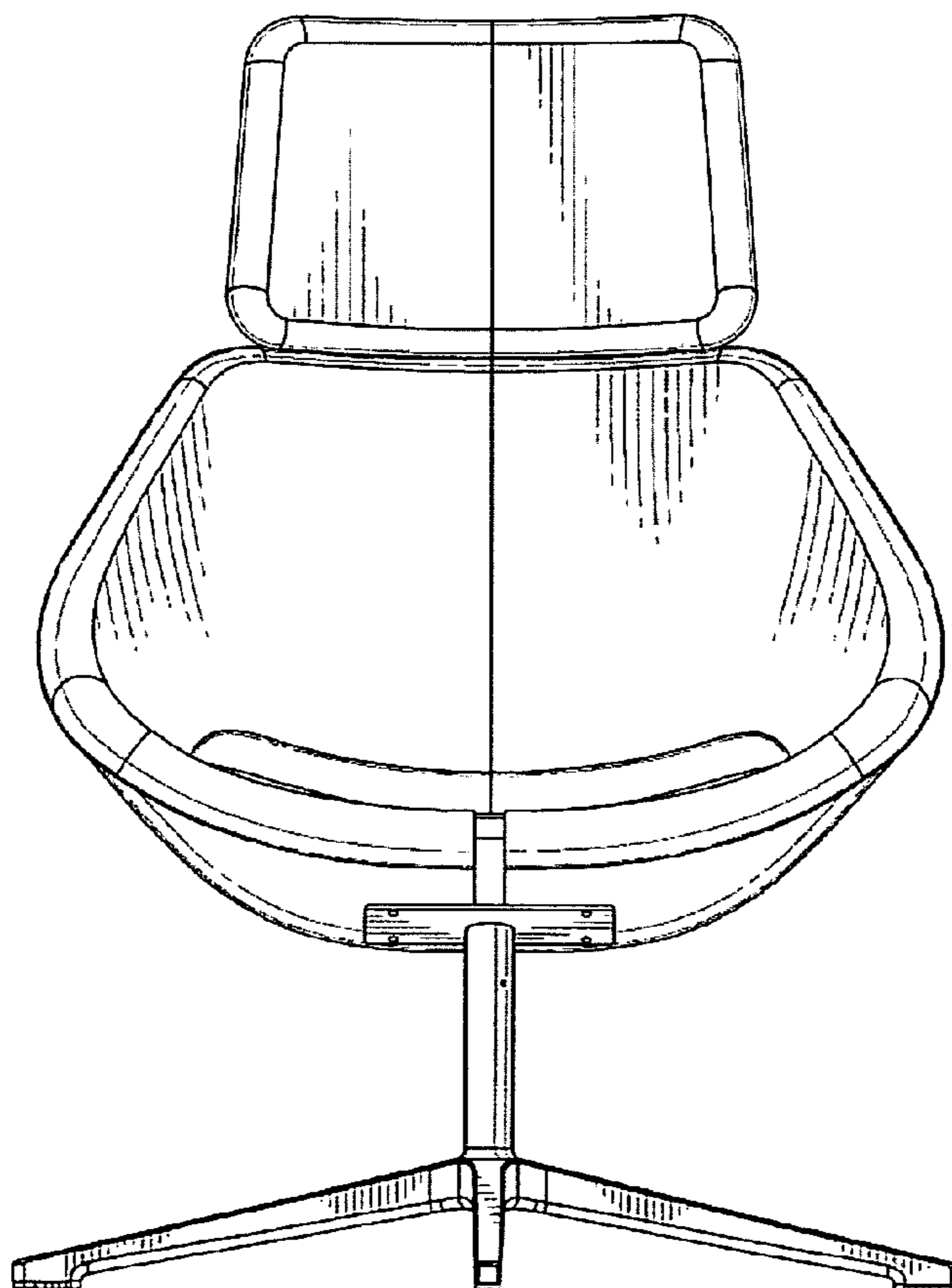
FIG. 3 is a top plan view of the chair;

FIG. 4 is a bottom plan view of the chair;

FIG. 5 as a right side elevational view of the chair; and,

FIG. 6 is a left side elevational view of the chair.

1 Claim, 6 Drawing Sheets



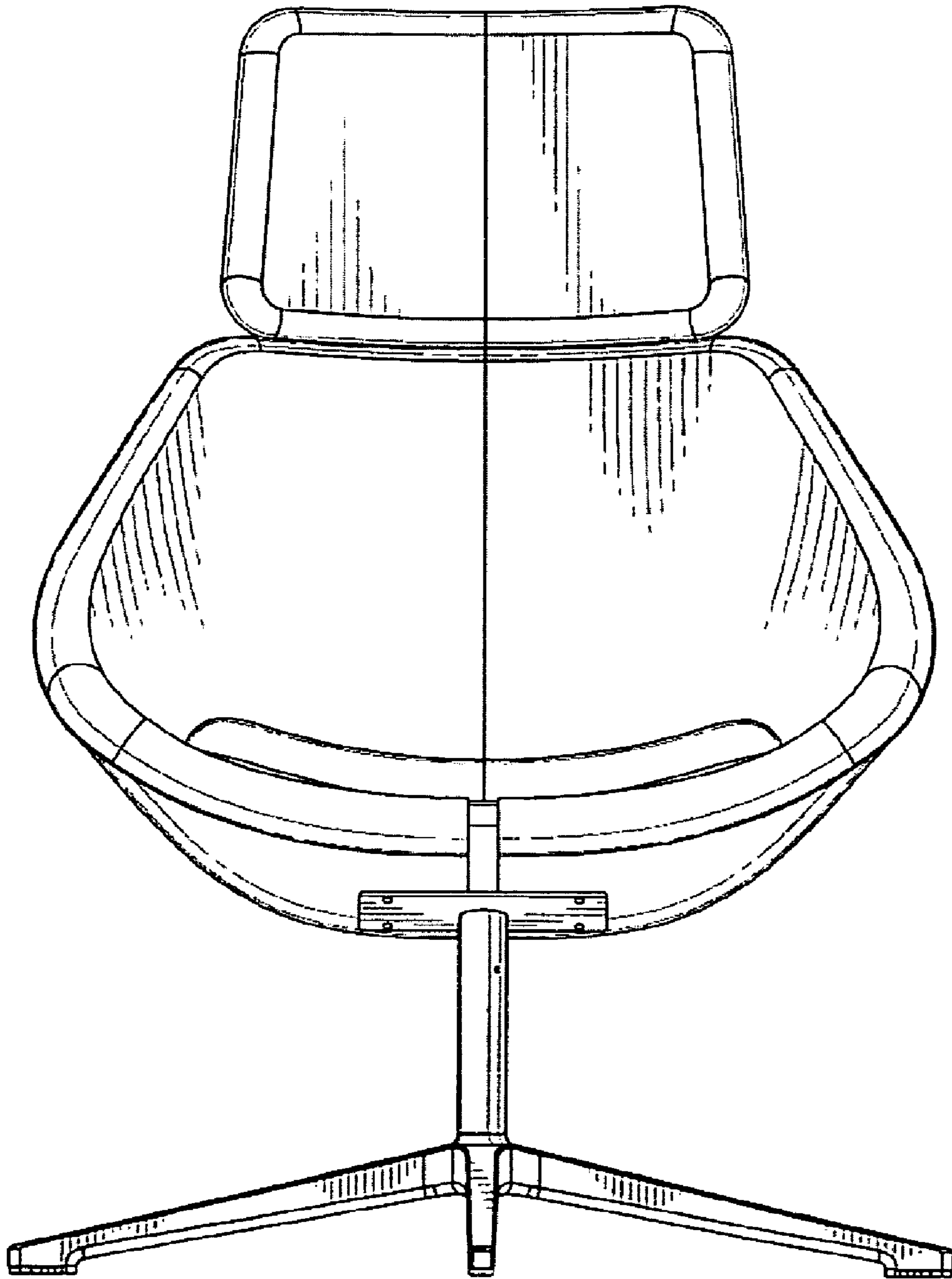


FIG. 1

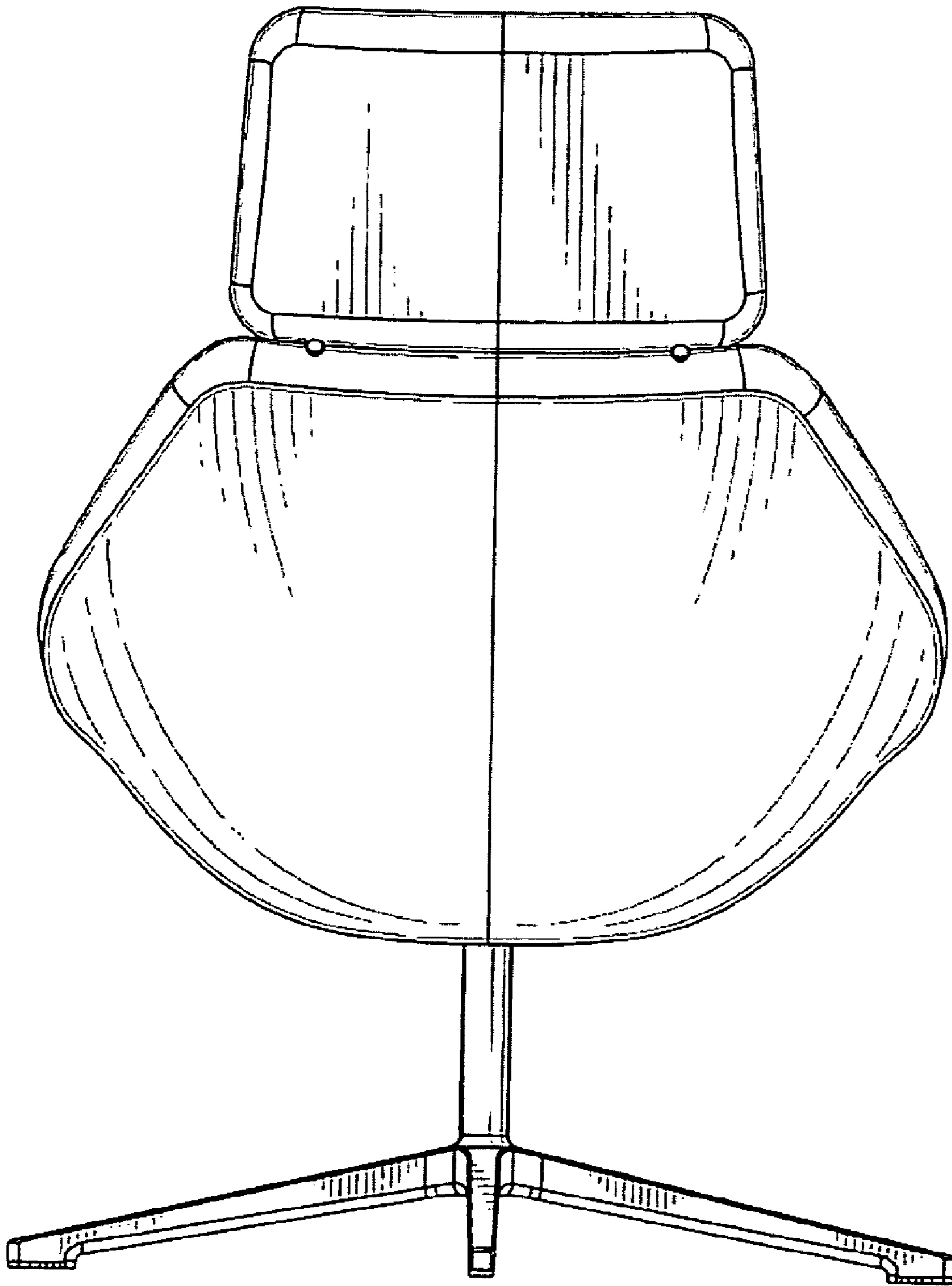


FIG. 2

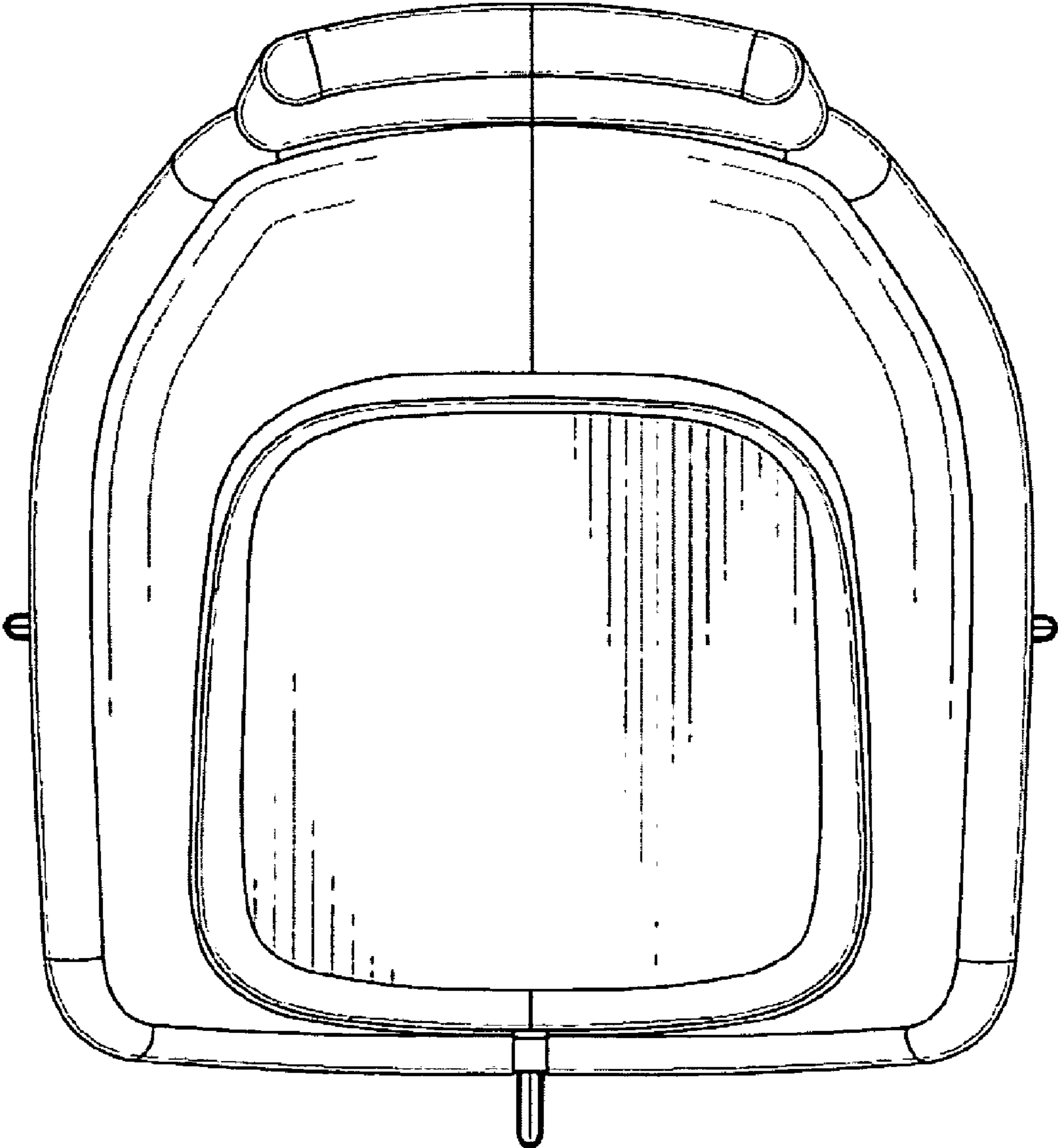


FIG. 3

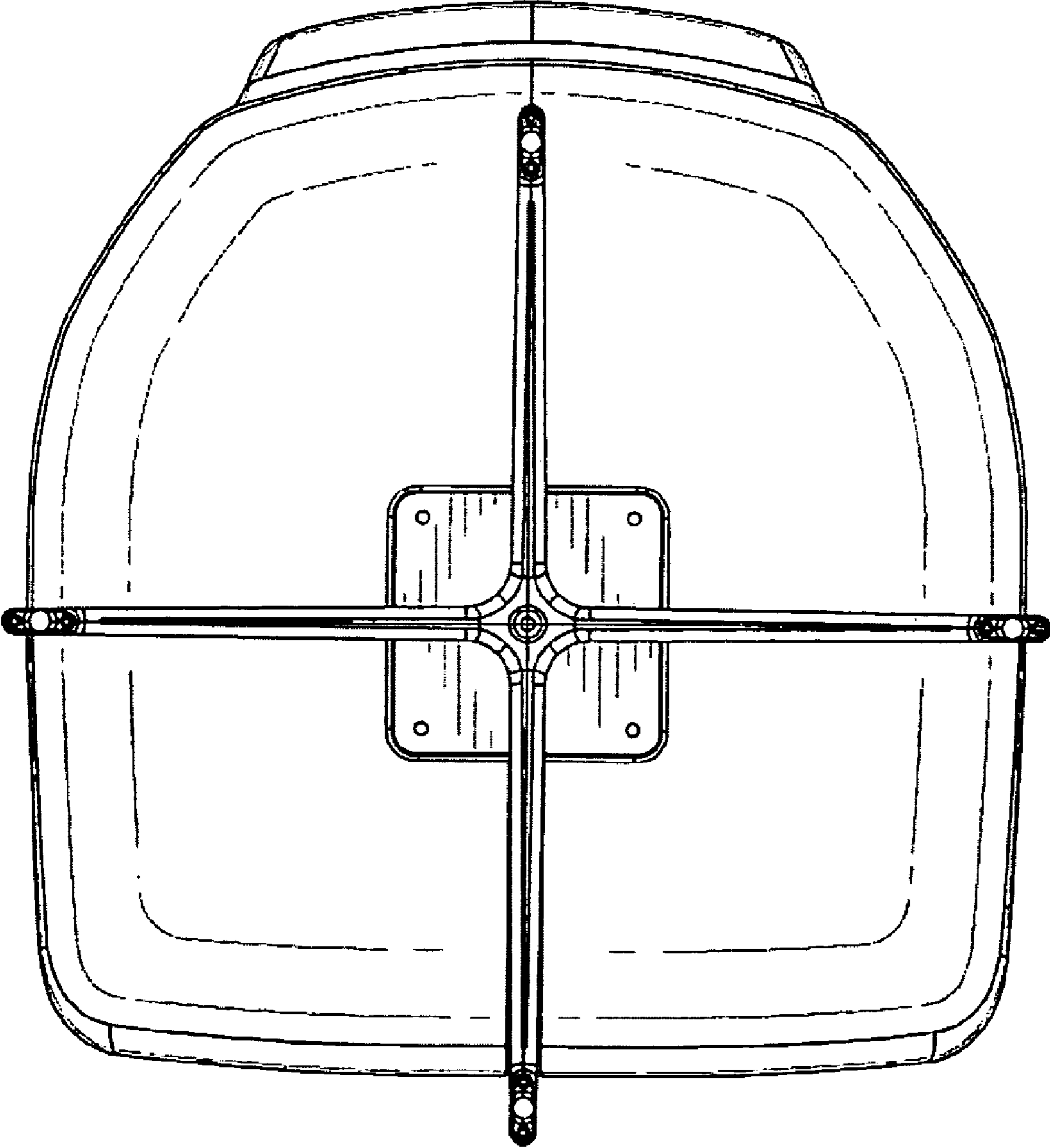


FIG. 4

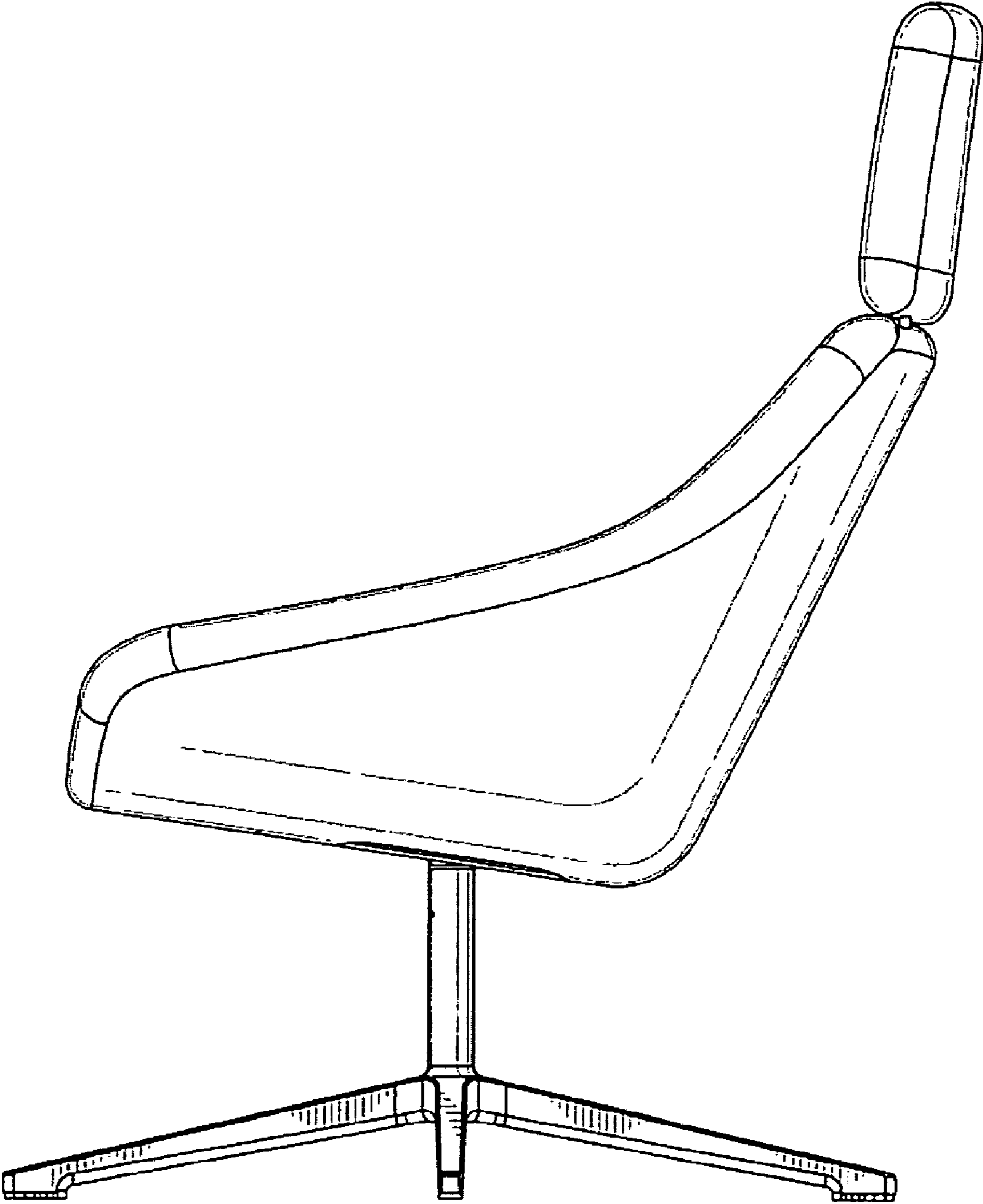


FIG. 5

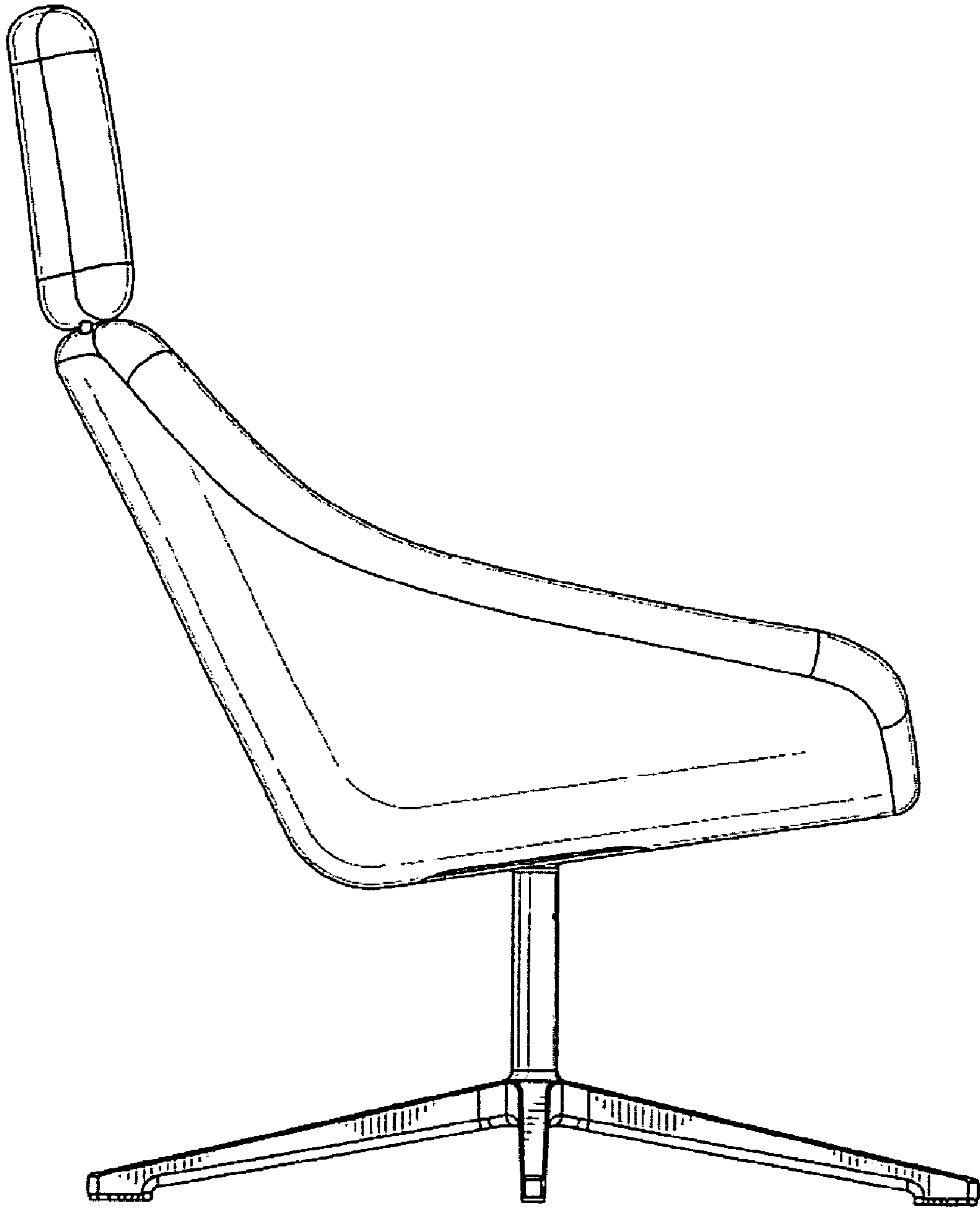


FIG. 6