



US00D585652S

(12) **United States Design Patent**
Kuo

(10) **Patent No.:** **US D585,652 S**
(45) **Date of Patent:** **** Feb. 3, 2009**

(54) **MULTI-FUNCTION DIGITAL FRAME**

(75) Inventor: **Claire Lee Jung Kuo**, Taipei (TW)

(73) Assignee: **Top Eight Industrial Corp.**, Taipei (TW)

(**) Term: **14 Years**

(21) Appl. No.: **29/318,063**

(22) Filed: **May 13, 2008**

(51) **LOC (9) Cl.** **06-07**

(52) **U.S. Cl.** **D6/308**

(58) **Field of Classification Search** D6/310,
D6/300, 308; D10/1, 15, 26, 3, 4, 2; D14/141.2,
D14/144; 40/700

See application file for complete search history.

(56) **References Cited**

U.S. PATENT DOCUMENTS

- D41,125 S * 1/1911 Klee D6/310
- D212,886 S * 12/1968 Gordon D6/310
- D262,664 S * 1/1982 Willits, Jr. D6/308
- D335,963 S * 6/1993 Tracey D6/310
- D359,488 S * 6/1995 Hui D14/141.2

D545,694 S * 7/2007 Bhavnani D10/15

* cited by examiner

Primary Examiner—Janice E Seeger

Assistant Examiner—Sydney R Buffalow

(74) *Attorney, Agent, or Firm*—Guice Patents PLLC

(57) **CLAIM**

The ornamental design for a multi-function digital frame, as shown and described.

DESCRIPTION

FIG. 1 is a perspective view of multi-function digital frame showing my design;

FIG. 2 is a rear perspective view thereof;

FIG. 3 is a front side view thereof;

FIG. 4 is a left side view thereof.

FIG. 5 is a top elevation view thereof,

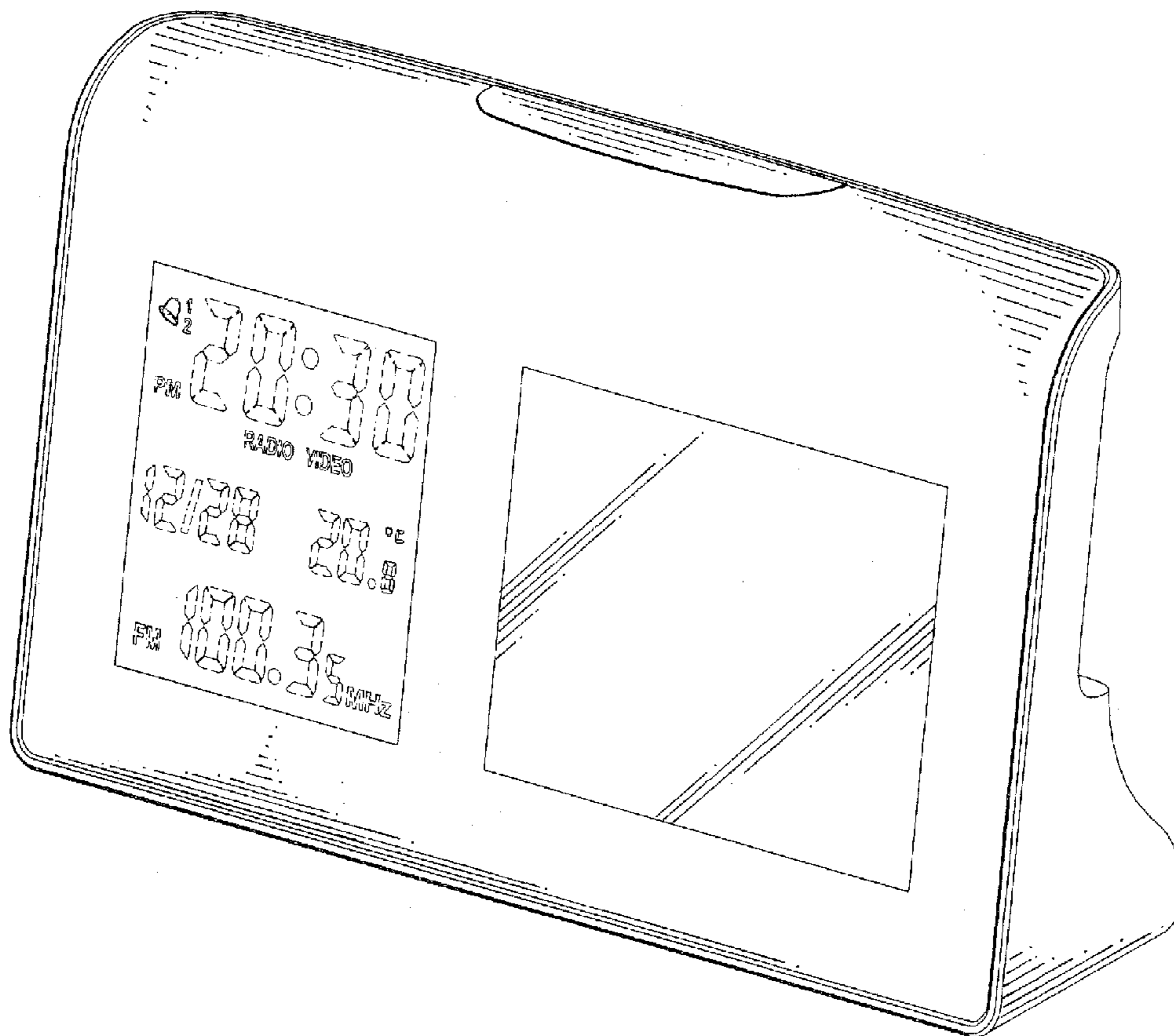
FIG. 6 is a bottom elevation view thereof,

FIG. 7 is a rear side view thereof; and,

FIG. 8 is a right side view thereof.

The broken lines are for the illustrative purposes only and form no part of the claimed design.

1 Claim, 8 Drawing Sheets



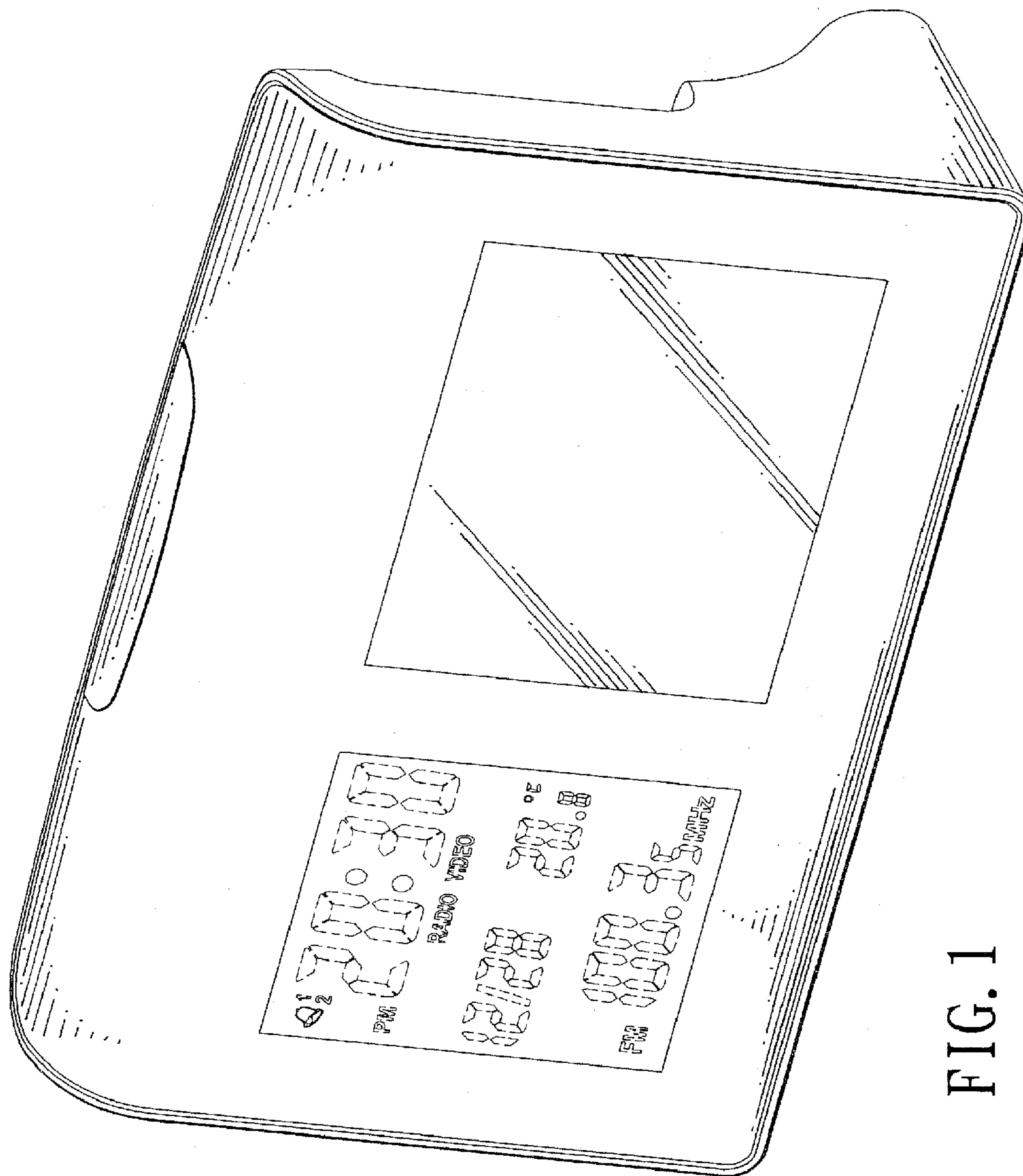


FIG. 1

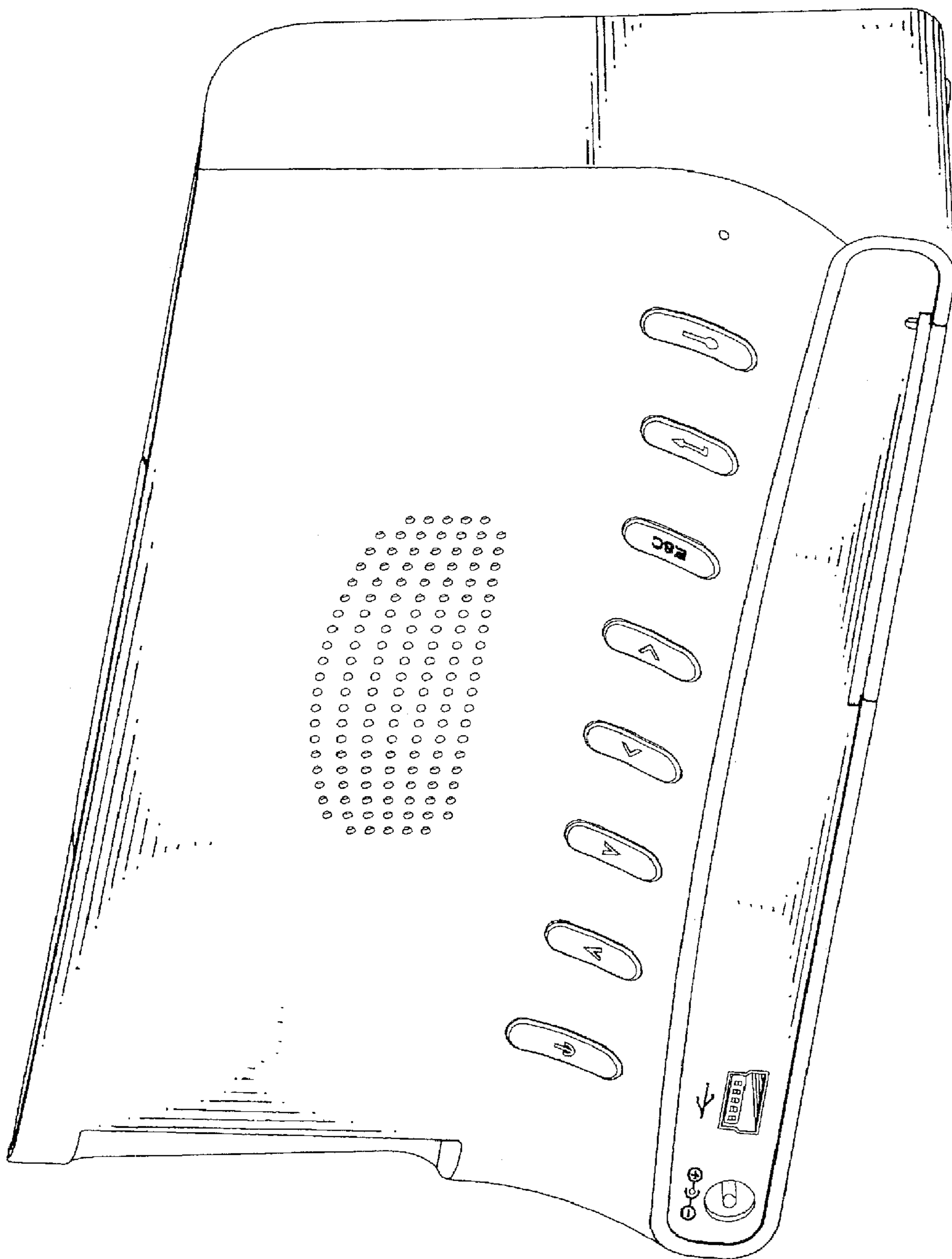


FIG. 2

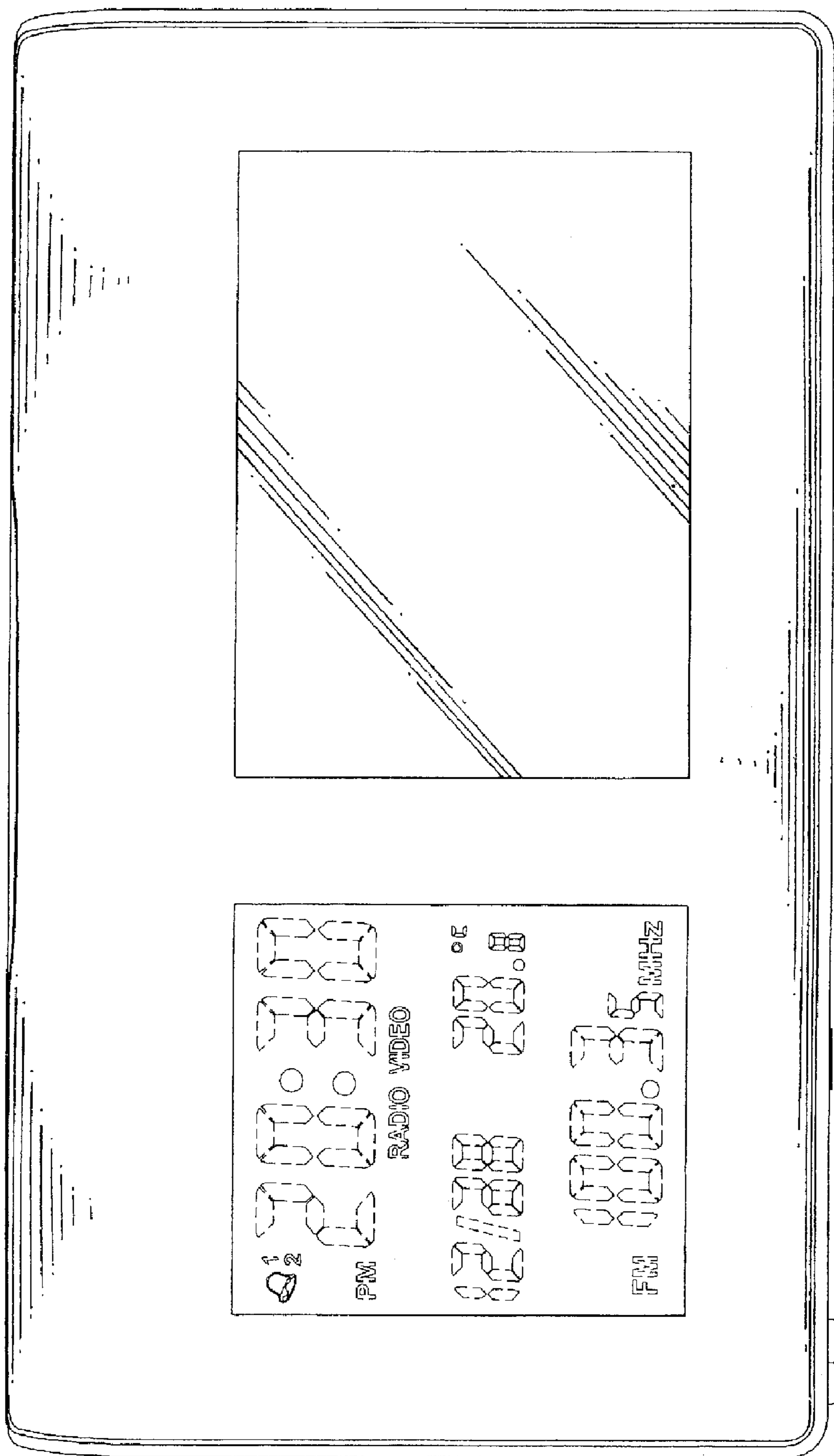


FIG. 3

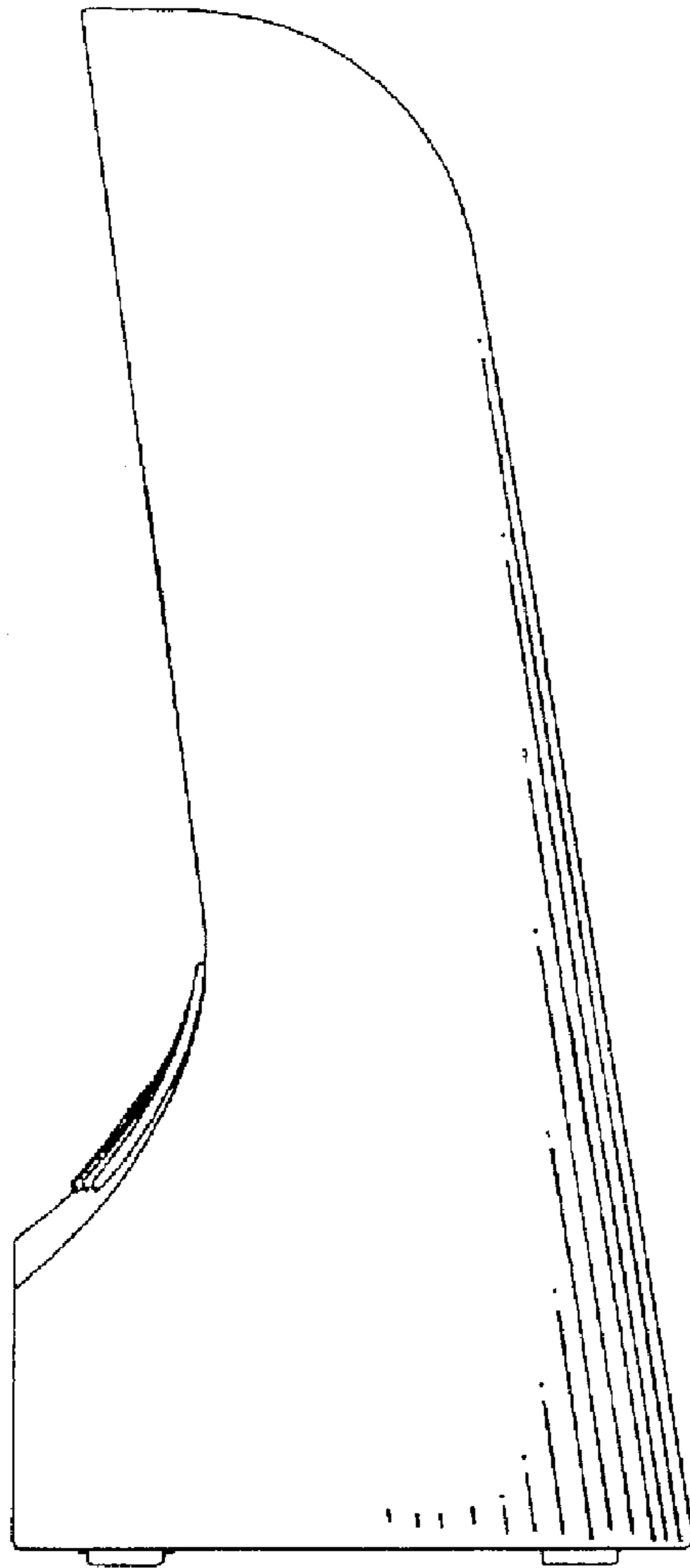


FIG. 4

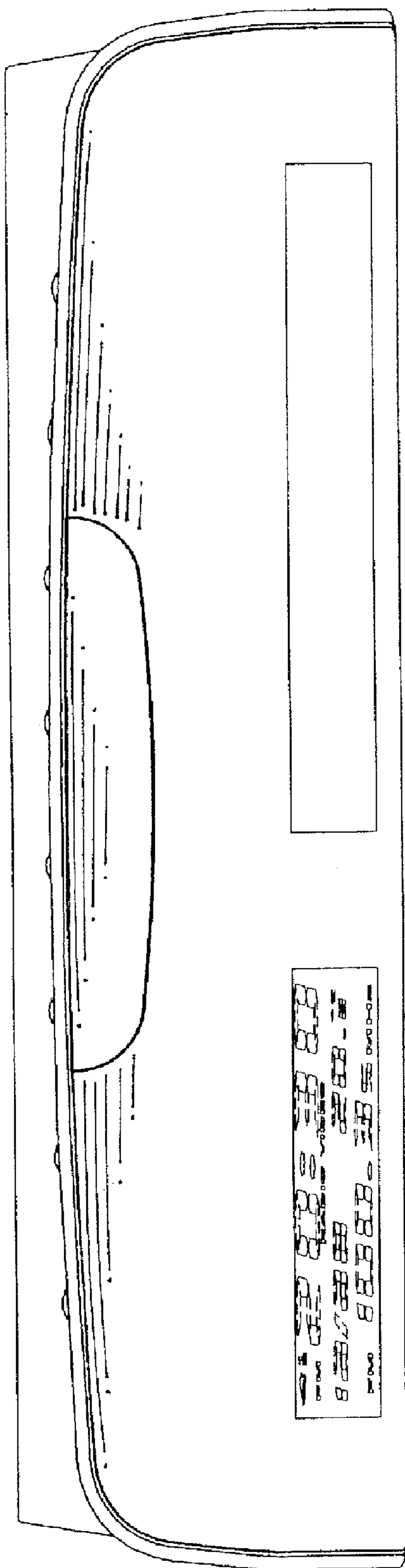


FIG. 5

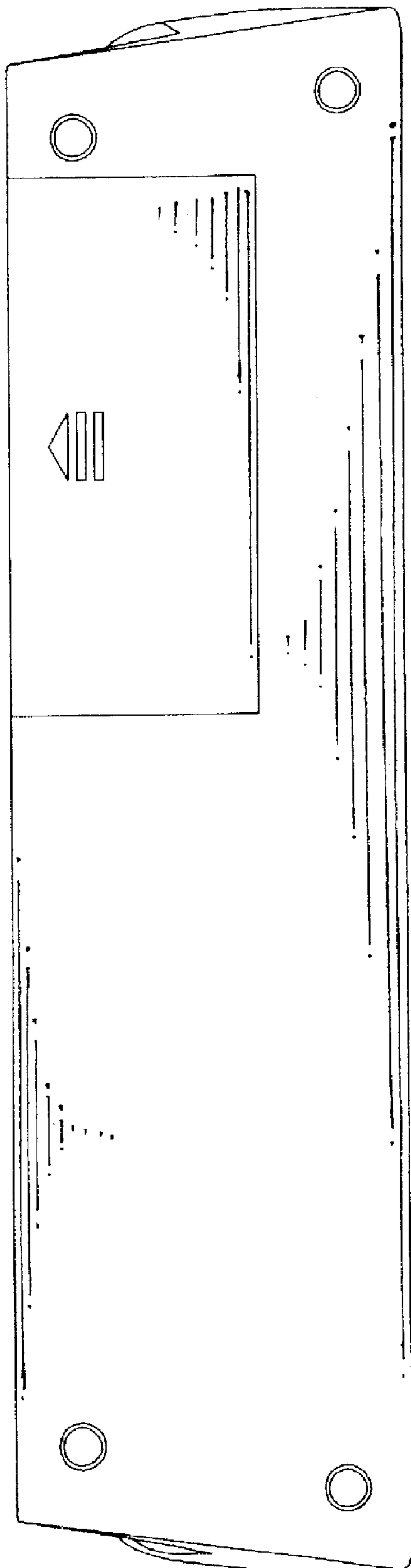


FIG. 6

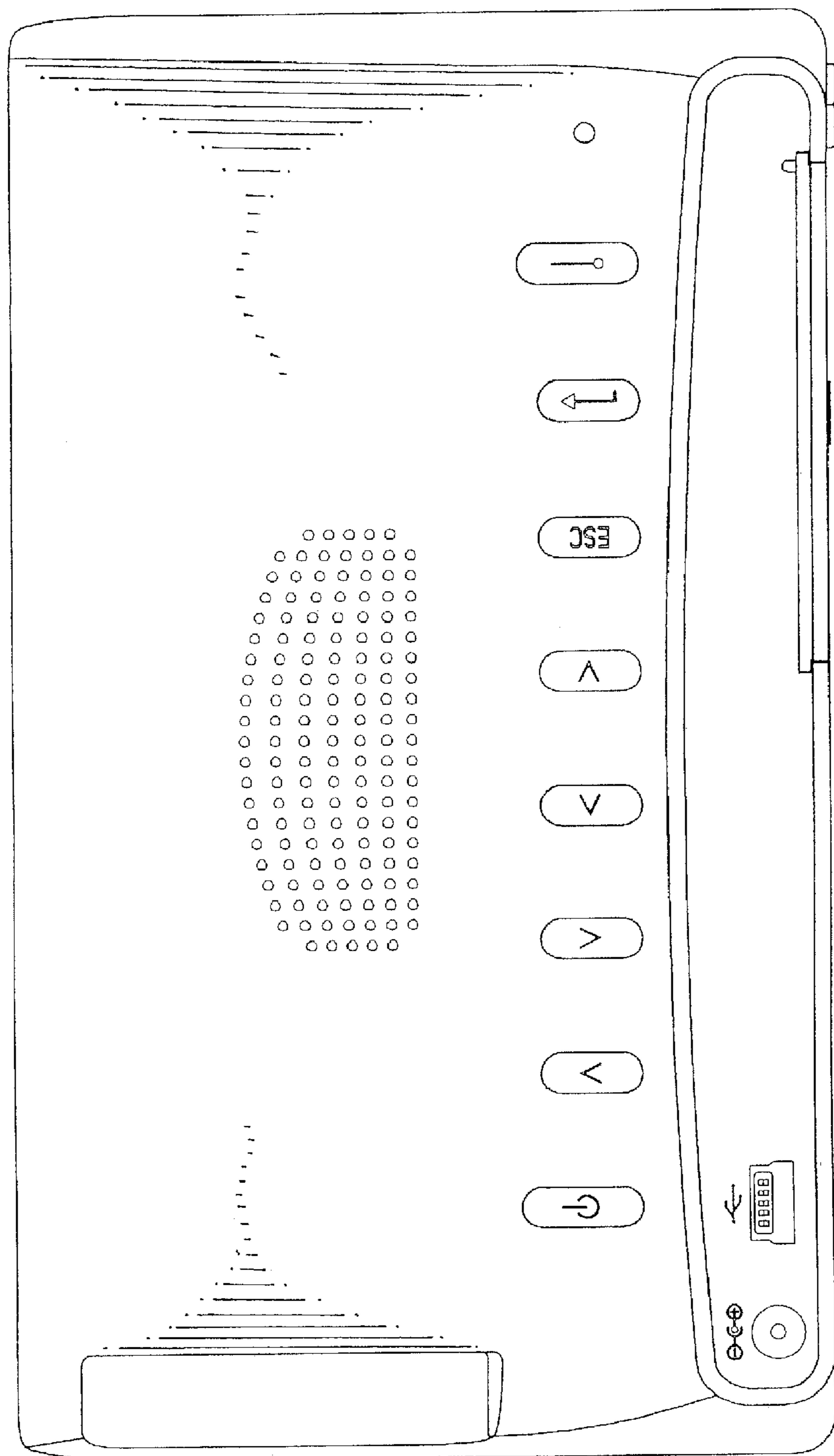


FIG. 7

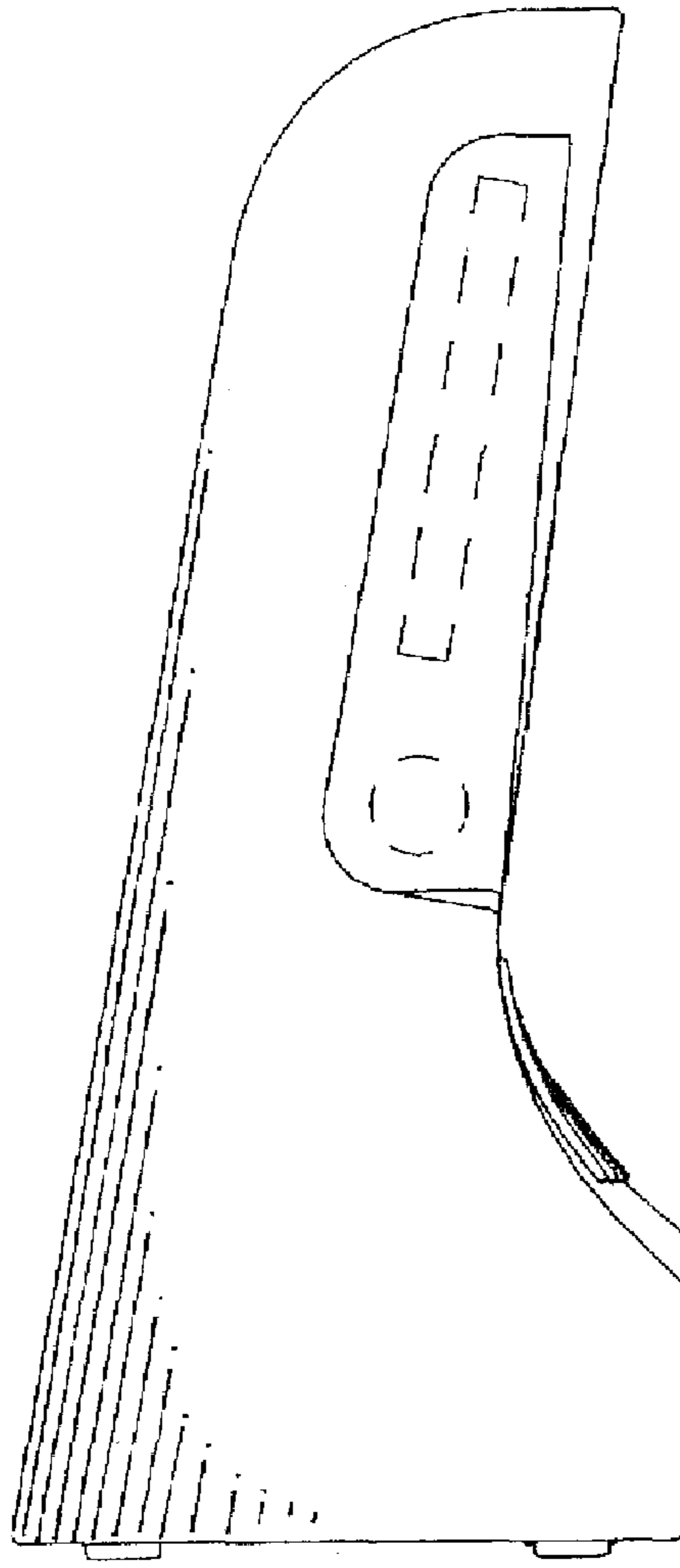


FIG. 8