



US00D585647S

(12) **United States Design Patent**
Whiteside et al.

(10) **Patent No.:** **US D585,647 S**

(45) **Date of Patent:** **** Feb. 3, 2009**

(54) **TOOL TRAY**

(75) Inventors: **Kirt E. Whiteside**, Marion, OH (US);
Shane Obitts, Elyria, OH (US); **Kristin C. Mays**, Delaware, OH (US)

(73) Assignee: **Whiteside Mfg. Co.**, Delaware, OH (US)

(**) Term: **14 Years**

(21) Appl. No.: **29/310,118**

(22) Filed: **Jul. 28, 2008**

(51) **LOC (9) Cl.** **03-01**

(52) **U.S. Cl.** **D3/310**

(58) **Field of Classification Search** D3/200,
D3/201, 203.1, 203.3, 205–206, 304–315,
D3/901, 905; D6/525, 475–476; D32/53.1;
206/203, 214–215, 822, 307.1, 372, 375;
220/752, DIG. 12–DIG. 14

See application file for complete search history.

(56) **References Cited**

U.S. PATENT DOCUMENTS

D83,296 S *	2/1931	Wilt	D3/304
D169,577 S *	5/1953	Burtchaell	D3/313
D230,971 S	3/1974	Shanklin	D12/14
D290,189 S *	6/1987	Sakai	D12/425
D292,138 S *	9/1987	Gatlin, Jr.	D3/310
D310,896 S *	9/1990	Winjum	D3/313
D325,799 S	4/1992	Chen	D34/23
D401,715 S	11/1998	Whiteside et al.	D34/23
D487,193 S *	3/2004	Liu	D3/313

D492,113 S *	6/2004	Bayer et al.	D3/310
D521,206 S	5/2006	Obbitts et al.	D34/23
D521,708 S	5/2006	Obbitts et al.	D34/23
7,293,783 B2	11/2007	Whiteside et al.	280/32.6

* cited by examiner

Primary Examiner—T. Chase Nelson

Assistant Examiner—Eric L Goodman

(74) *Attorney, Agent, or Firm*—Renner, Kenner, Greive, Bobak, Taylor & Weber

(57) **CLAIM**

The ornamental design for a tool tray, as shown and described.

DESCRIPTION

FIG. 1 is a top, rear, and left side perspective view of a tool tray showing our new design;

FIG. 2 is a top, front, right side perspective view thereof;

FIG. 3 is a top plan view thereof;

FIG. 4 is a front elevational view thereof;

FIG. 5 is a right side elevational view thereof, the left side being a mirror image of FIG. 5;

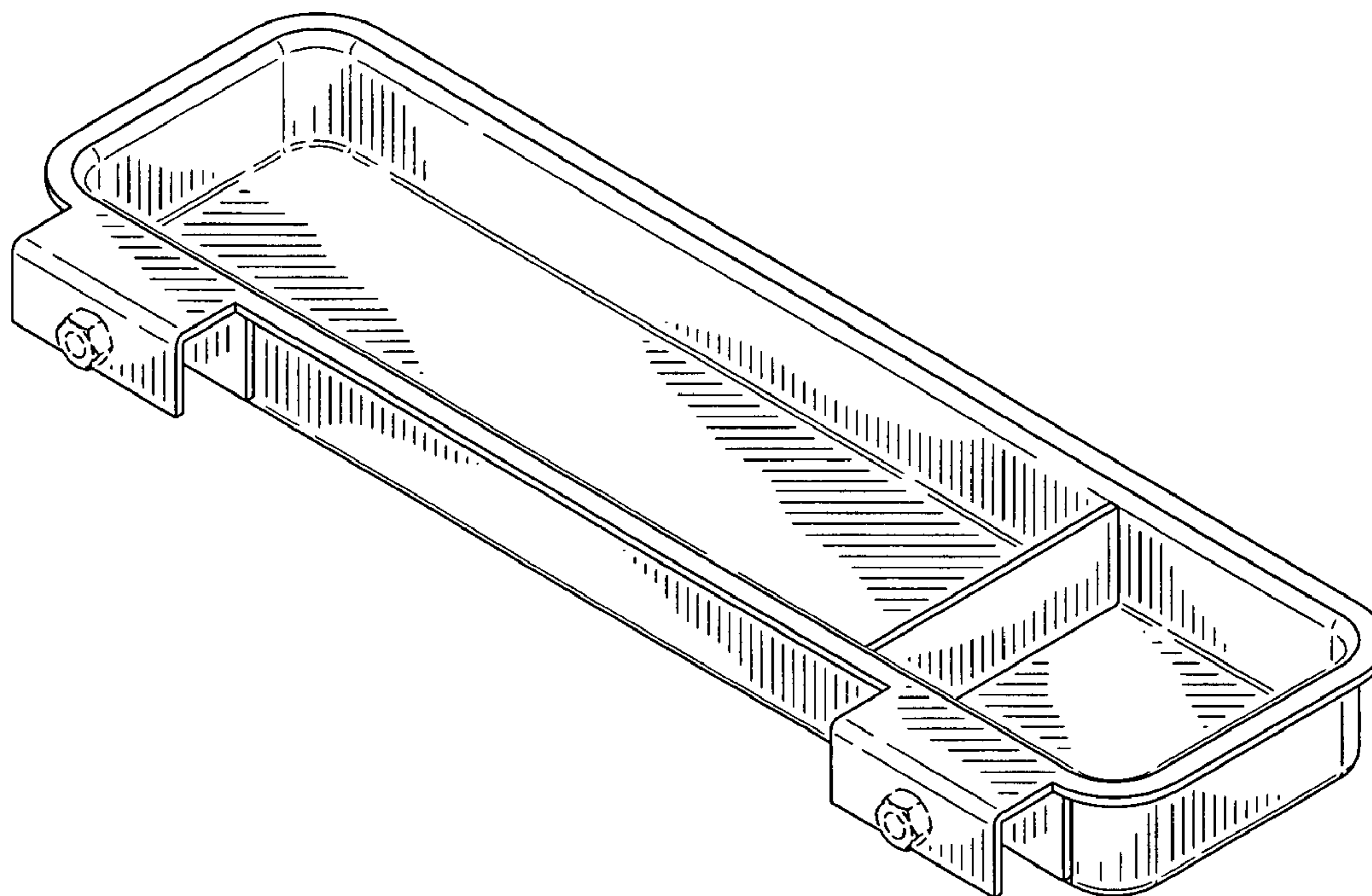
FIG. 6 is a rear elevational view thereof; and,

FIG. 7 is a bottom plan view thereof.

The nuts shown in dotted lines play no part of the claimed design.

The broken line showing of the nuts is included for the purpose of illustrating portions of the article that form no part of the claimed design.

1 Claim, 3 Drawing Sheets



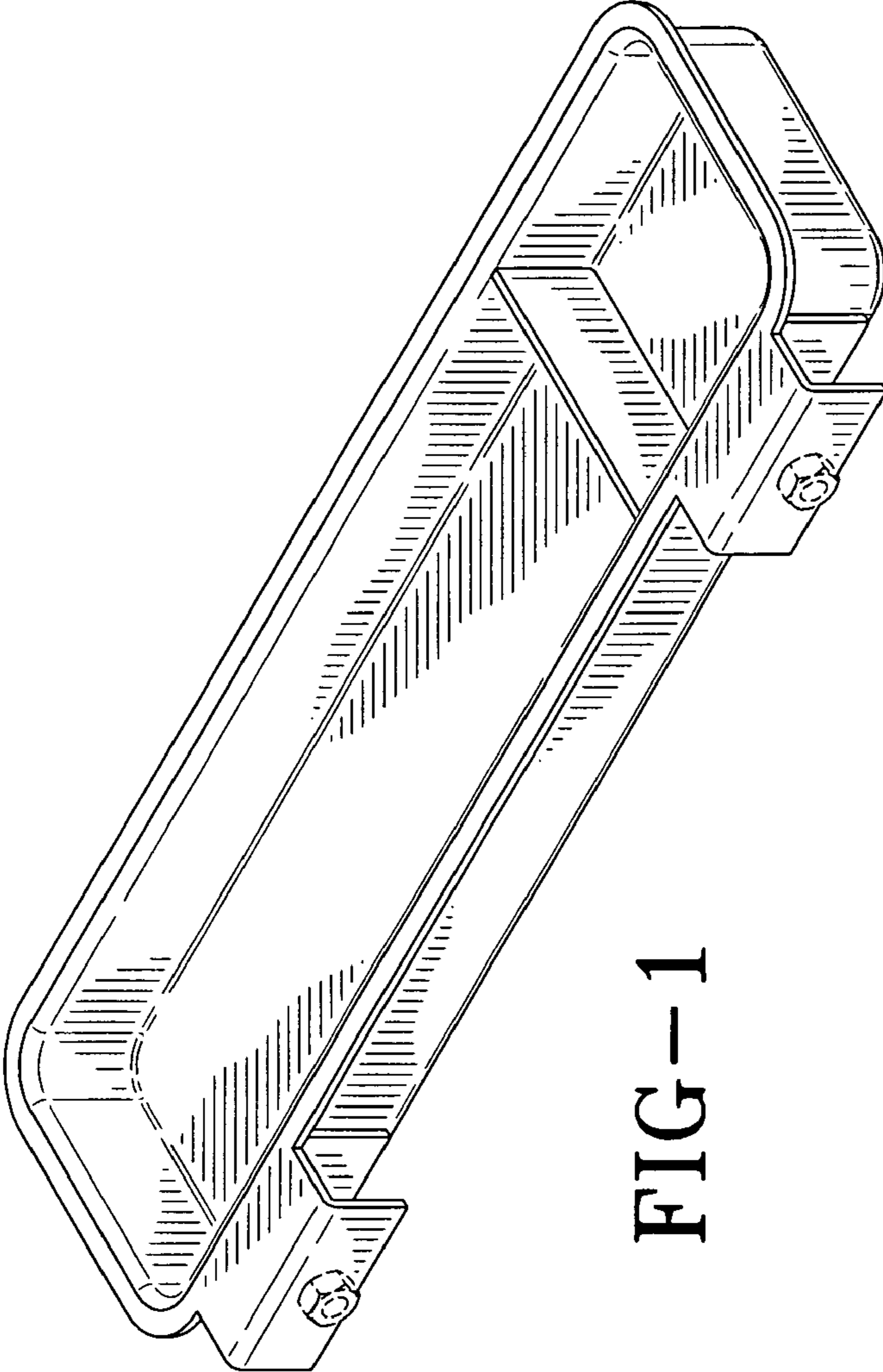


FIG-1

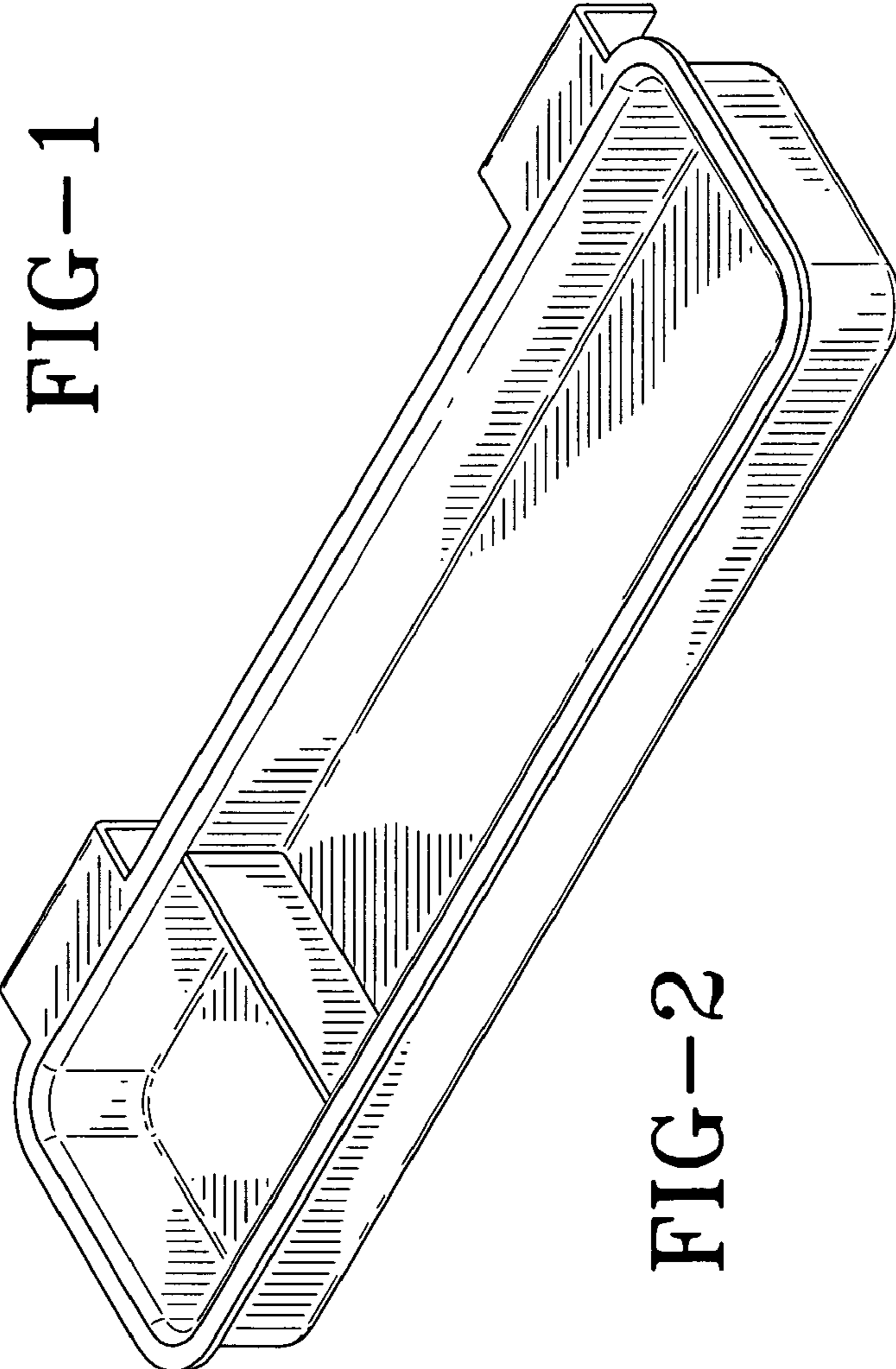


FIG-2

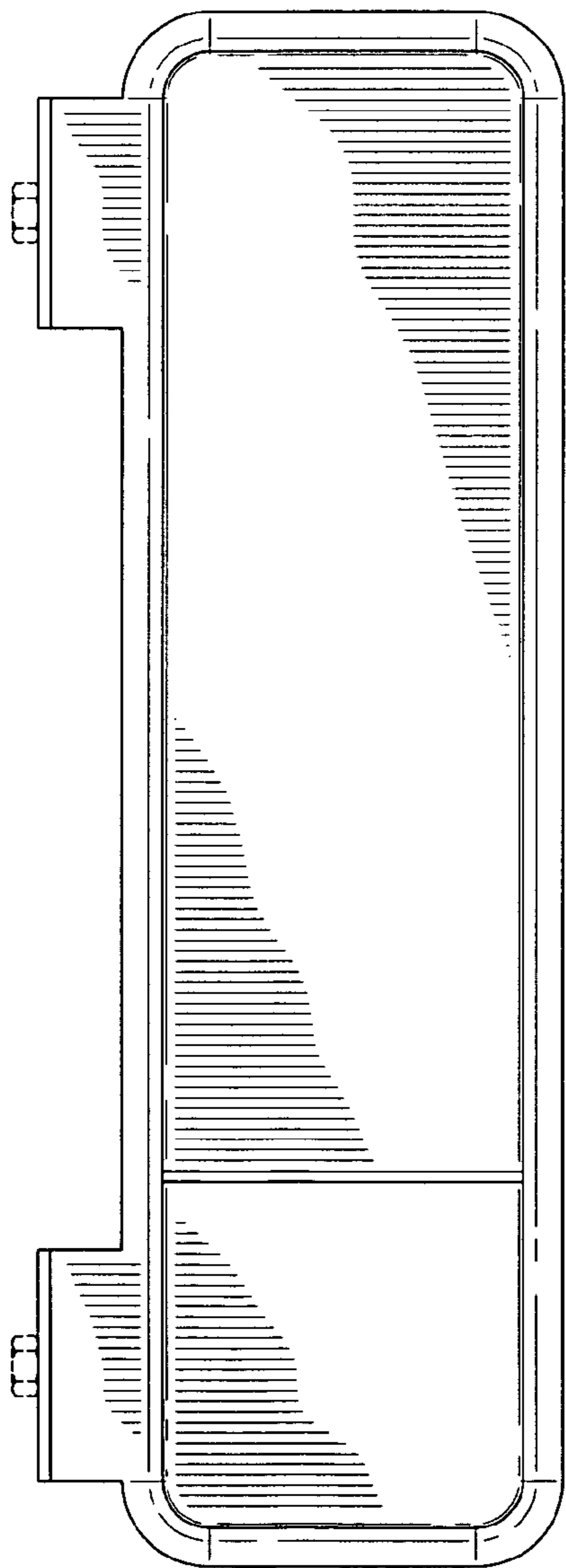


FIG-3

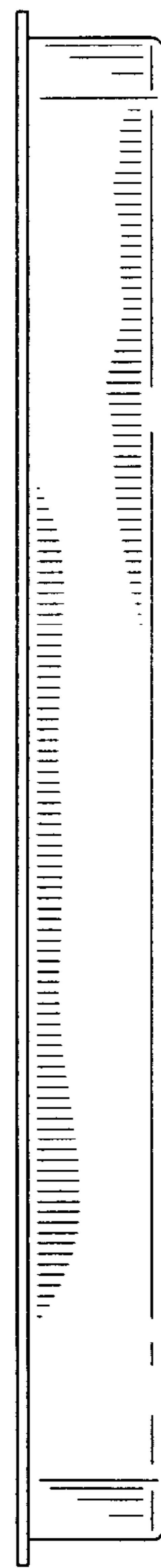


FIG-4

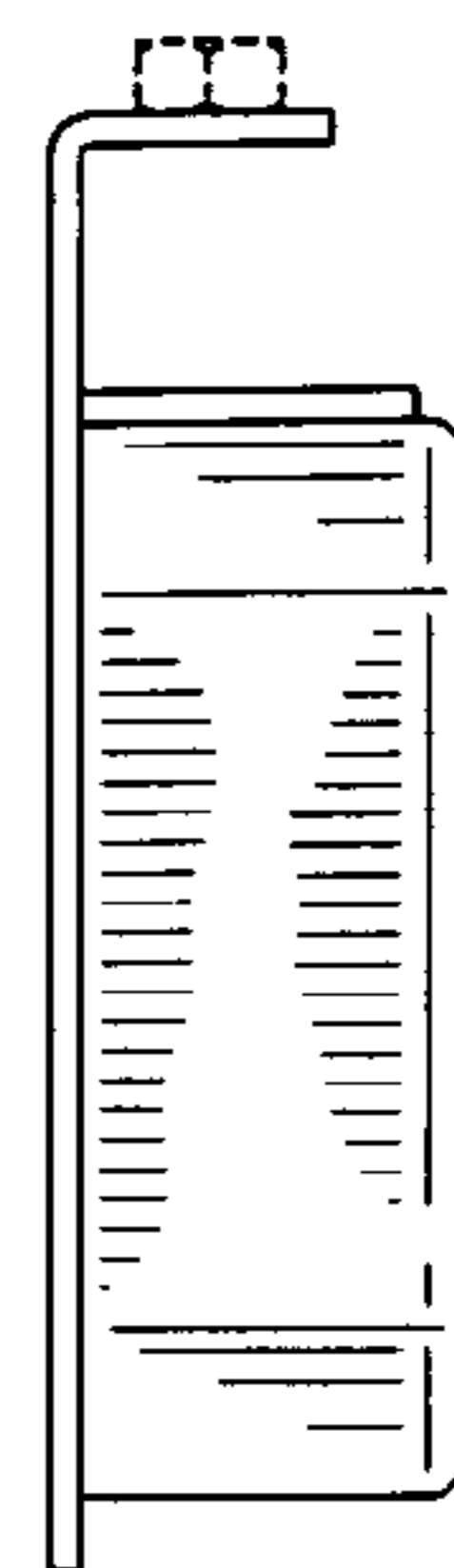


FIG-5

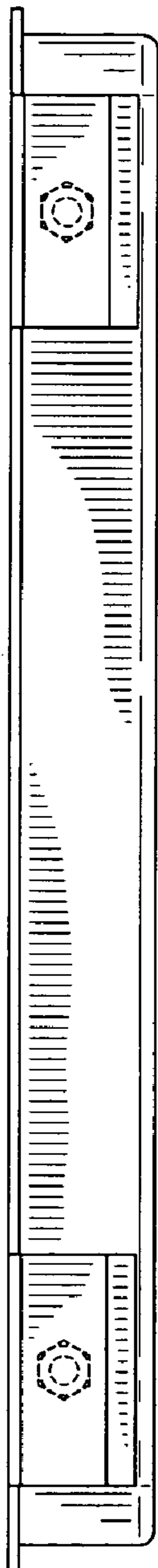


FIG-6

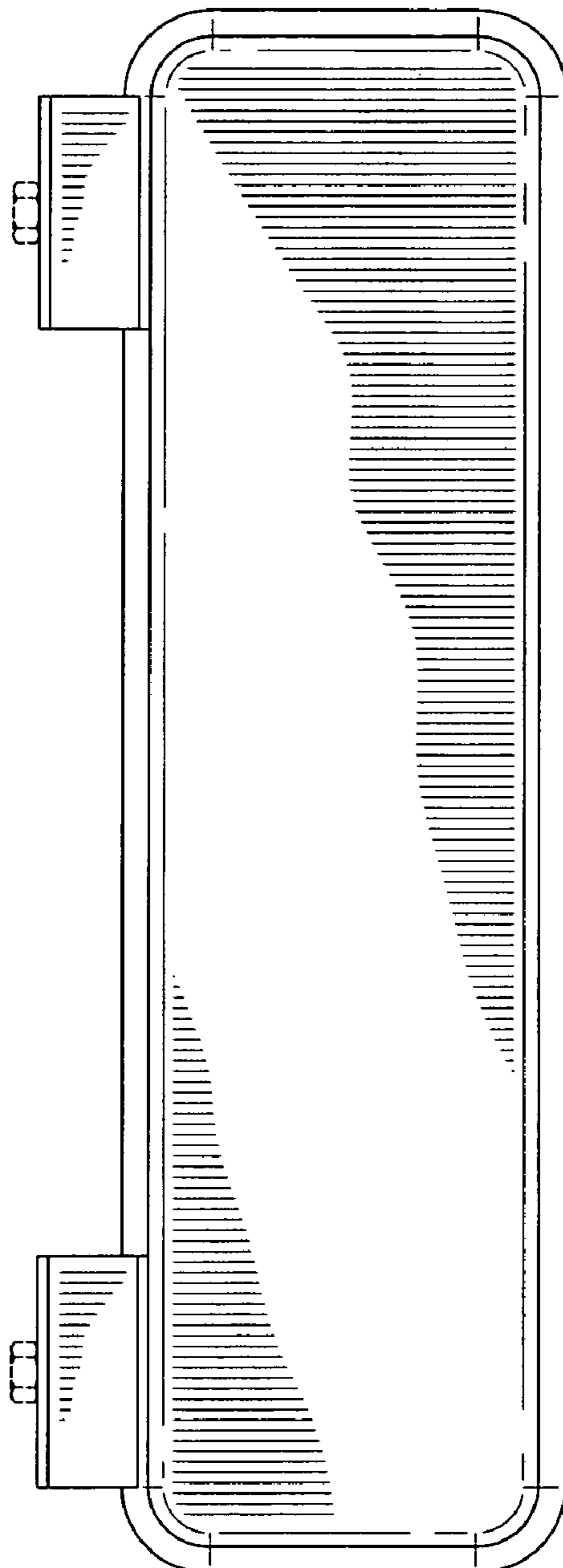


FIG-7