



US00D585645S

(12) **United States Design Patent**  
**Mchatet**

(10) **Patent No.:** **US D585,645 S**

(45) **Date of Patent:** **\*\* Feb. 3, 2009**

(54) **EYEGLOSS CLIP HOLDER**

(75) Inventor: **Hamid Mchatet**, Miramar, FL (US)

(73) Assignee: **FIFO Wireless, Inc.**, Miami, FL (US)

(\*\*) Term: **14 Years**

(21) Appl. No.: **29/303,840**

(22) Filed: **Feb. 19, 2008**

(51) **LOC (9) Cl.** ..... **03-01**

(52) **U.S. Cl.** ..... **D3/266**

(58) **Field of Classification Search** ..... D3/263,  
D3/265, 266, 219; 206/5, 6; 24/3.3, 3.8;  
248/229.16, 316.7, 902

See application file for complete search history.

(56) **References Cited**

**U.S. PATENT DOCUMENTS**

6,330,962	B1 *	12/2001	Rodriguez	.....	224/246
D471,709	S *	3/2003	Coyne	.....	D3/266
D474,016	S *	5/2003	Childers	.....	D3/221
D487,344	S *	3/2004	Sieger	.....	D3/266
D509,356	S *	9/2005	Kushner	.....	D3/266
D541,324	S *	4/2007	Yip et al.	.....	D16/135
7,229,171	B2 *	6/2007	Dietz	.....	351/112
7,331,554	B2 *	2/2008	Cheng	.....	248/316.7
D569,101	S *	5/2008	Wang et al.	.....	D3/266

\* cited by examiner

*Primary Examiner*—Ian Simmons

*Assistant Examiner*—Anna J Burmeister

(74) *Attorney, Agent, or Firm*—Quick Patents, Inc.; Kevin Prince

(57) **CLAIM**

The ornamental design for an eyeglass clip holder, as shown and described.

**DESCRIPTION**

FIG. 1 is a perspective view of a eye glass clip holder, showing my new design;

FIG. 2 is a front elevational view of the invention;

FIG. 3 is a rear elevational view of the invention;

FIG. 4 is a left-side elevational view of the invention, the right-side elevational view being a mirror image thereof;

FIG. 5 is a top plan view of the invention; and

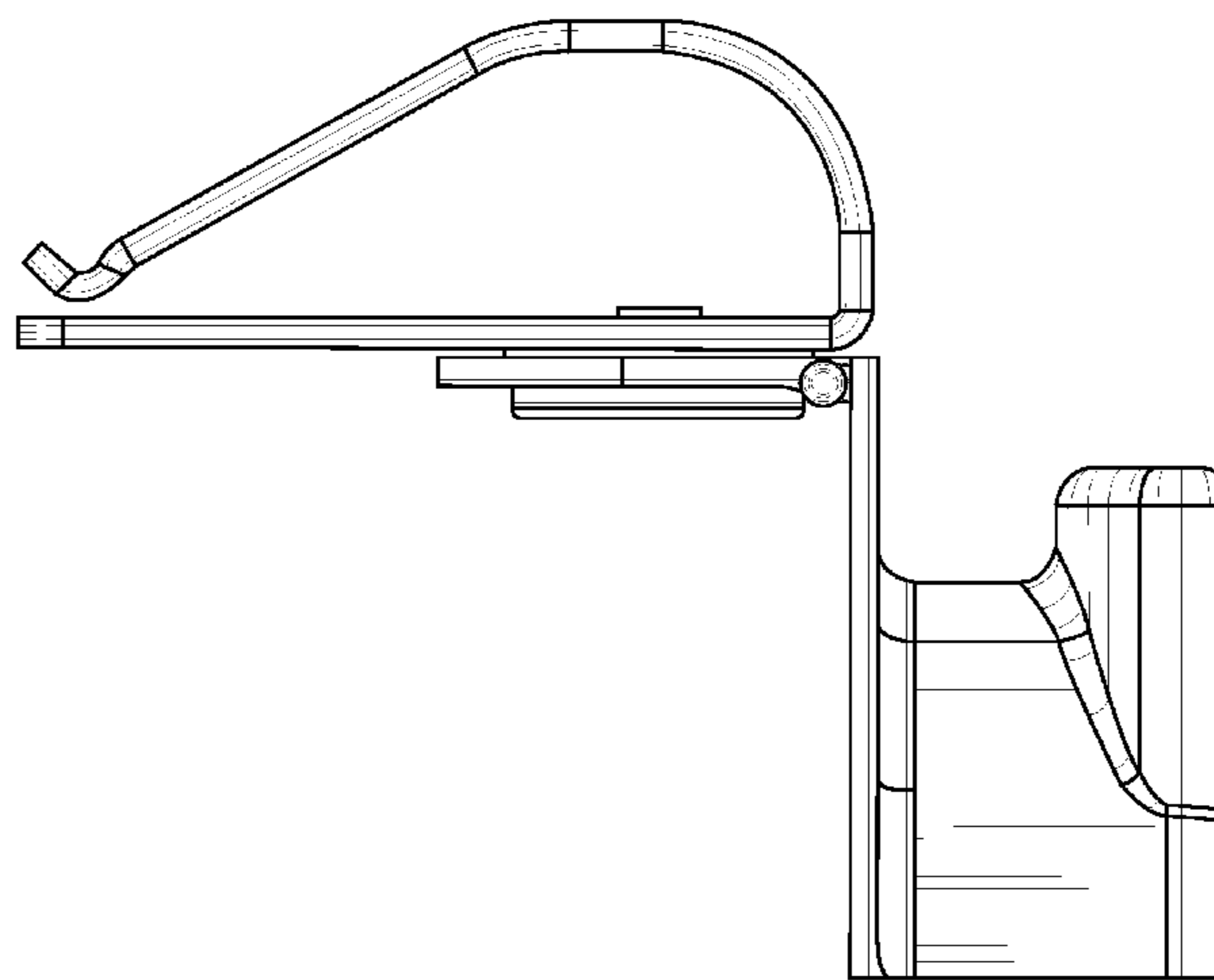
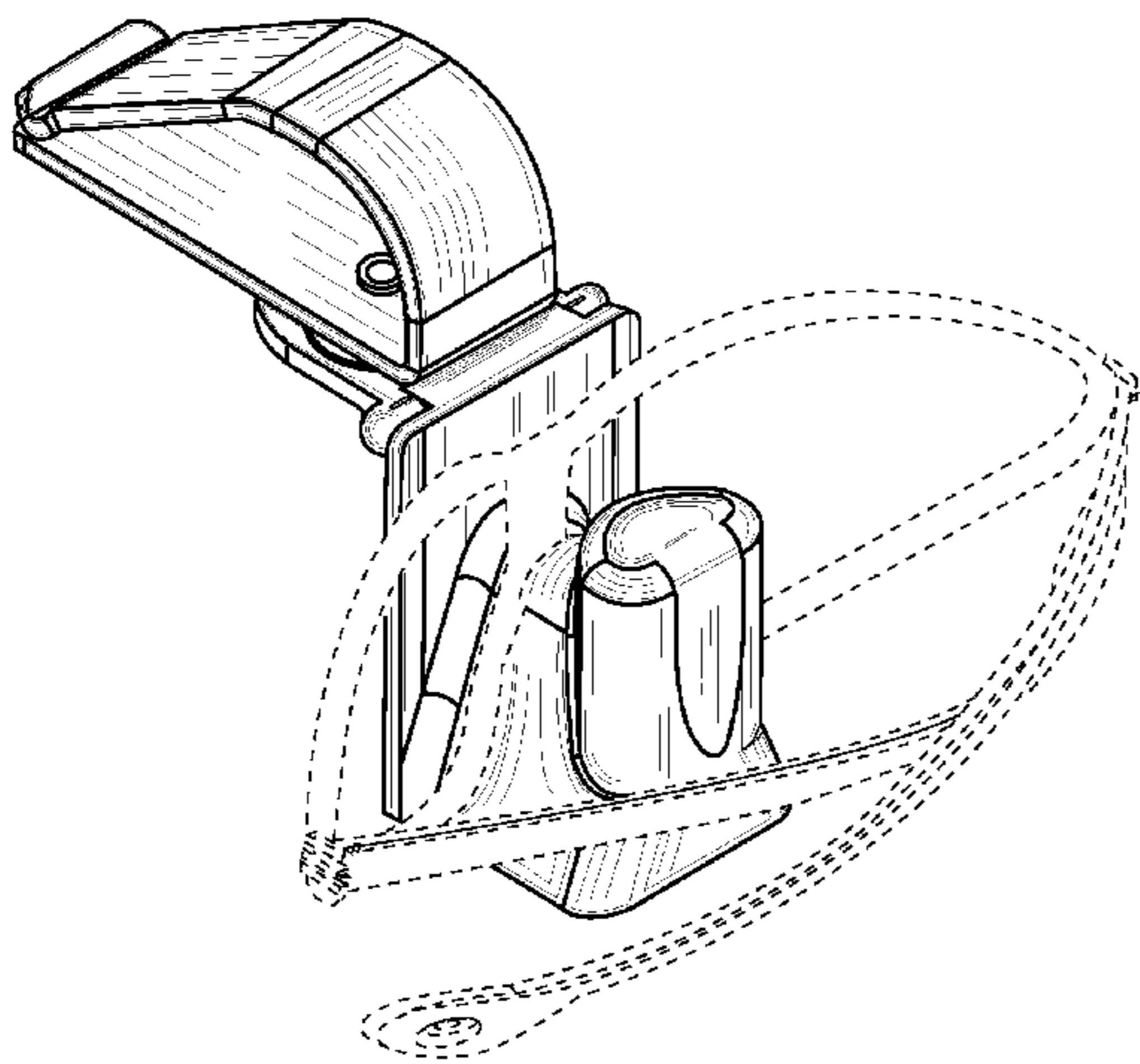
FIG. 6 is a bottom plan view of the invention.

FIG. 7 shows a holder portion in a tilted position; and,

FIG. 8 shows the holder portion in a rotated position.

The broken lines shown in FIGS. 1, 6, and 8 of the drawing views are for illustrative purposes only and form no part of the claimed design.

**1 Claim, 3 Drawing Sheets**



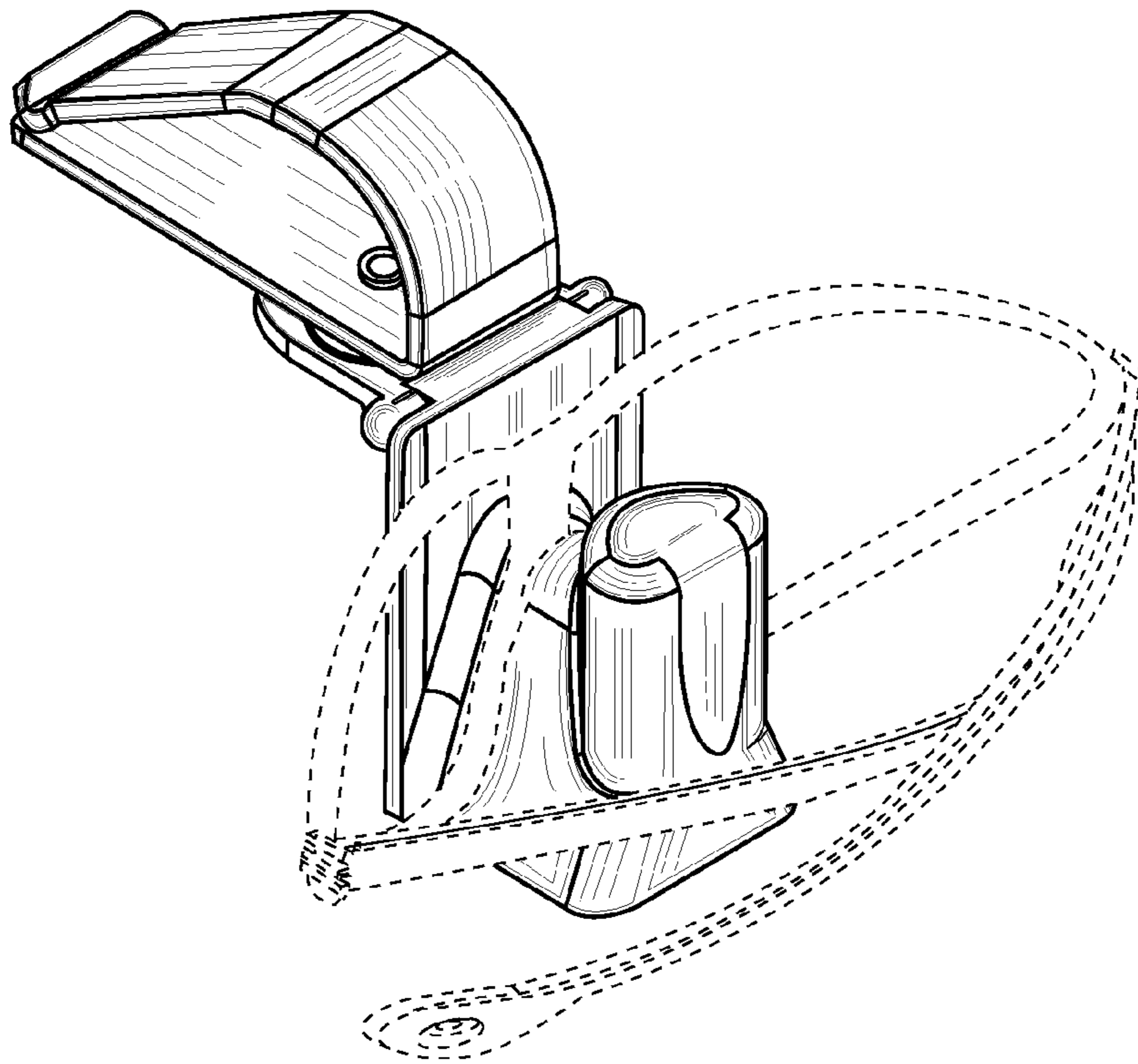


FIG. 1

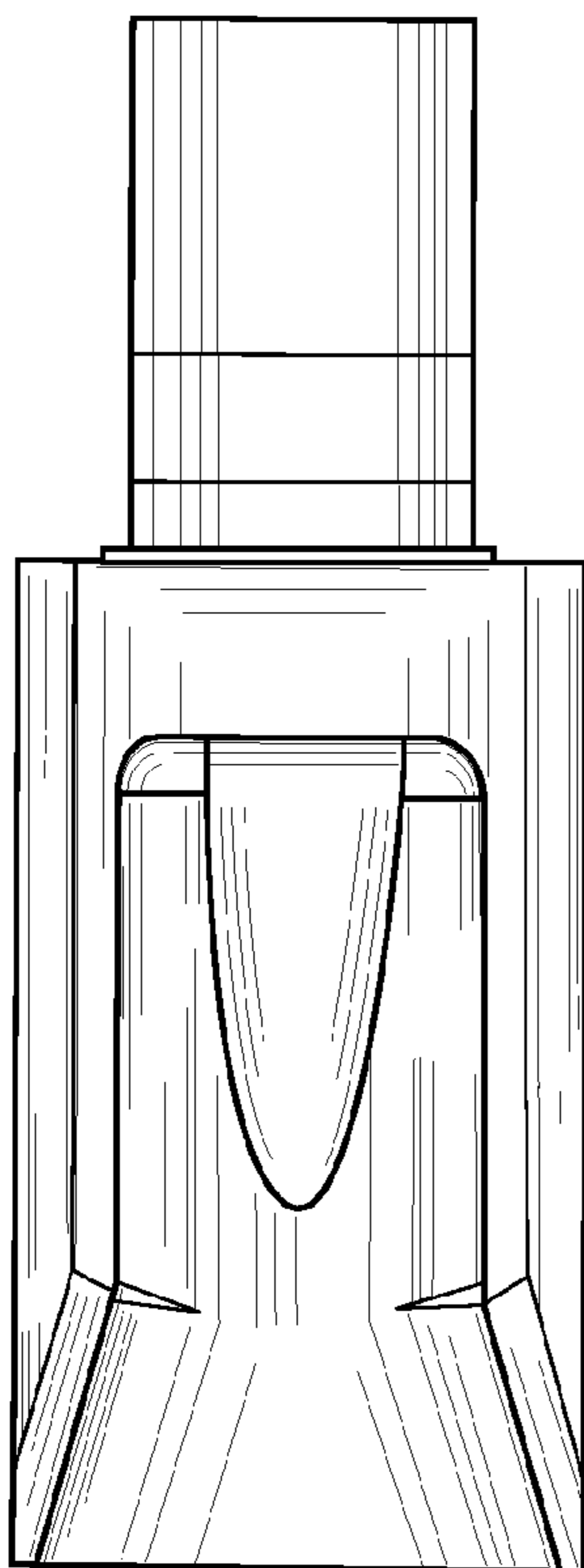


FIG. 2

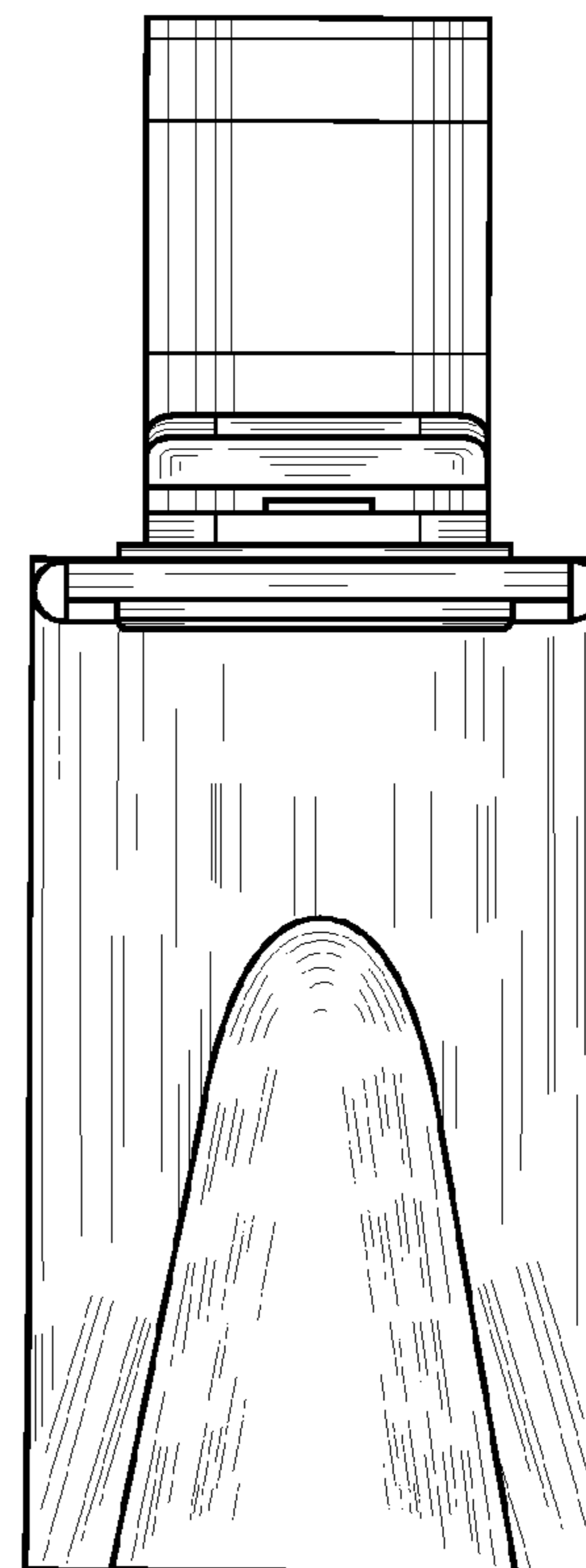


FIG. 3

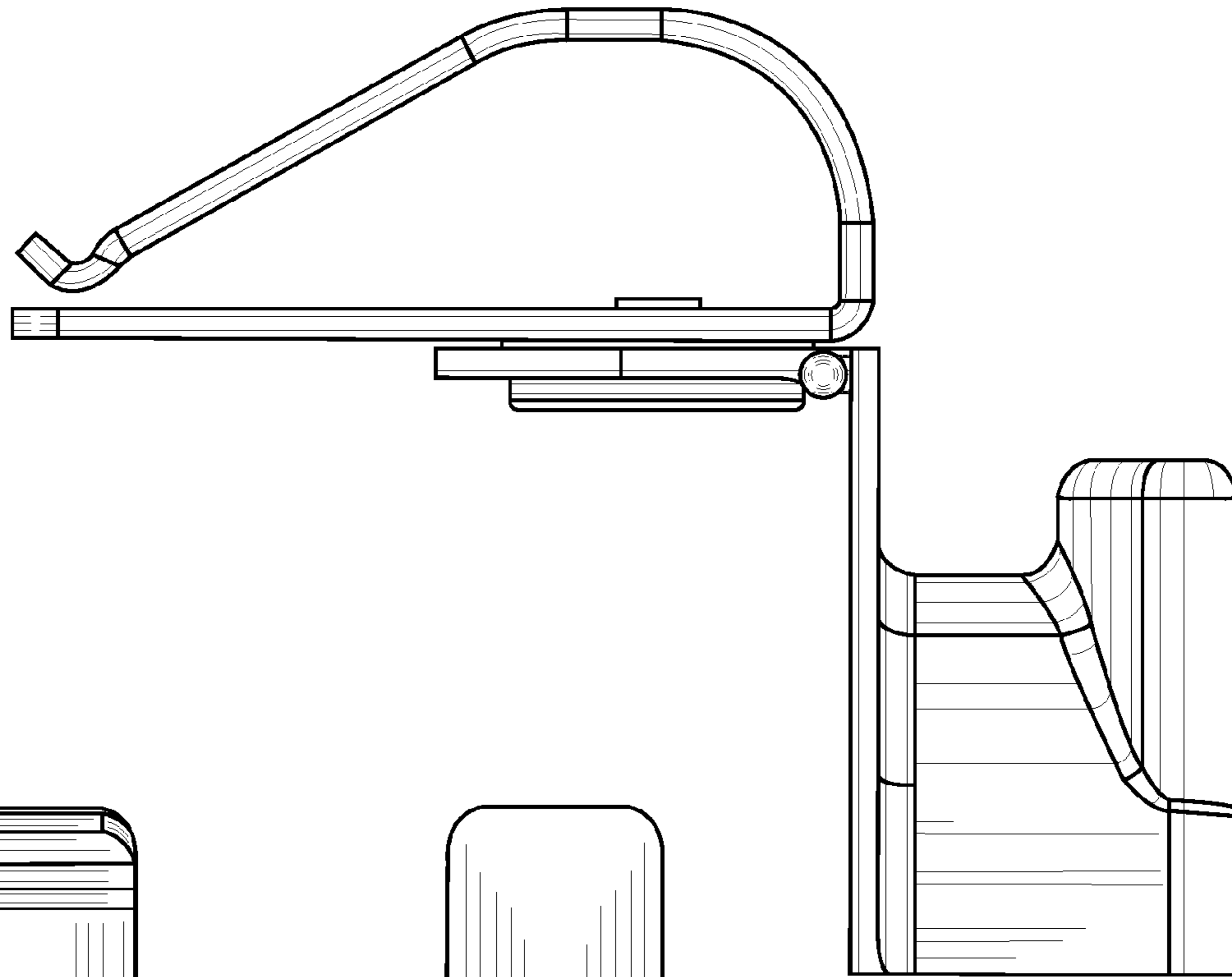


FIG. 4

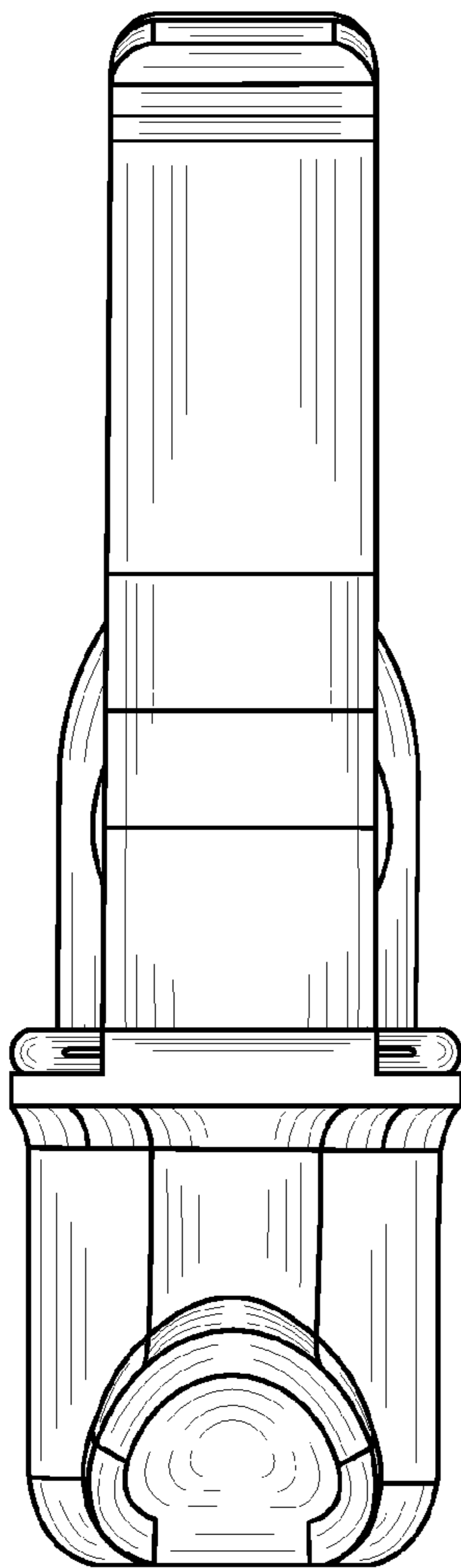


FIG. 5

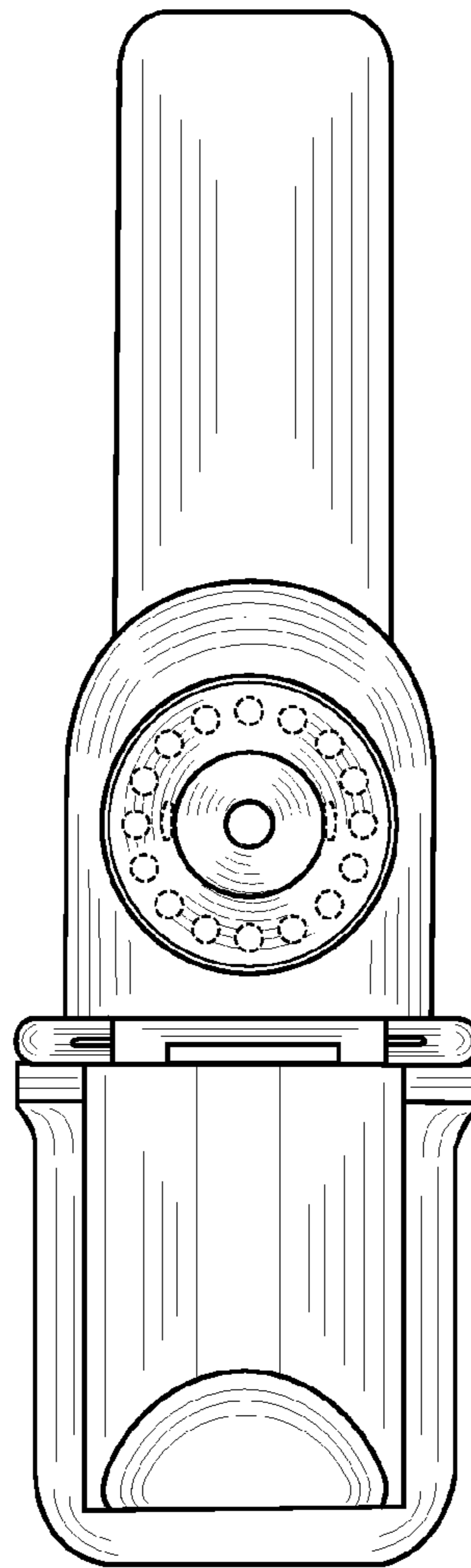


FIG. 6

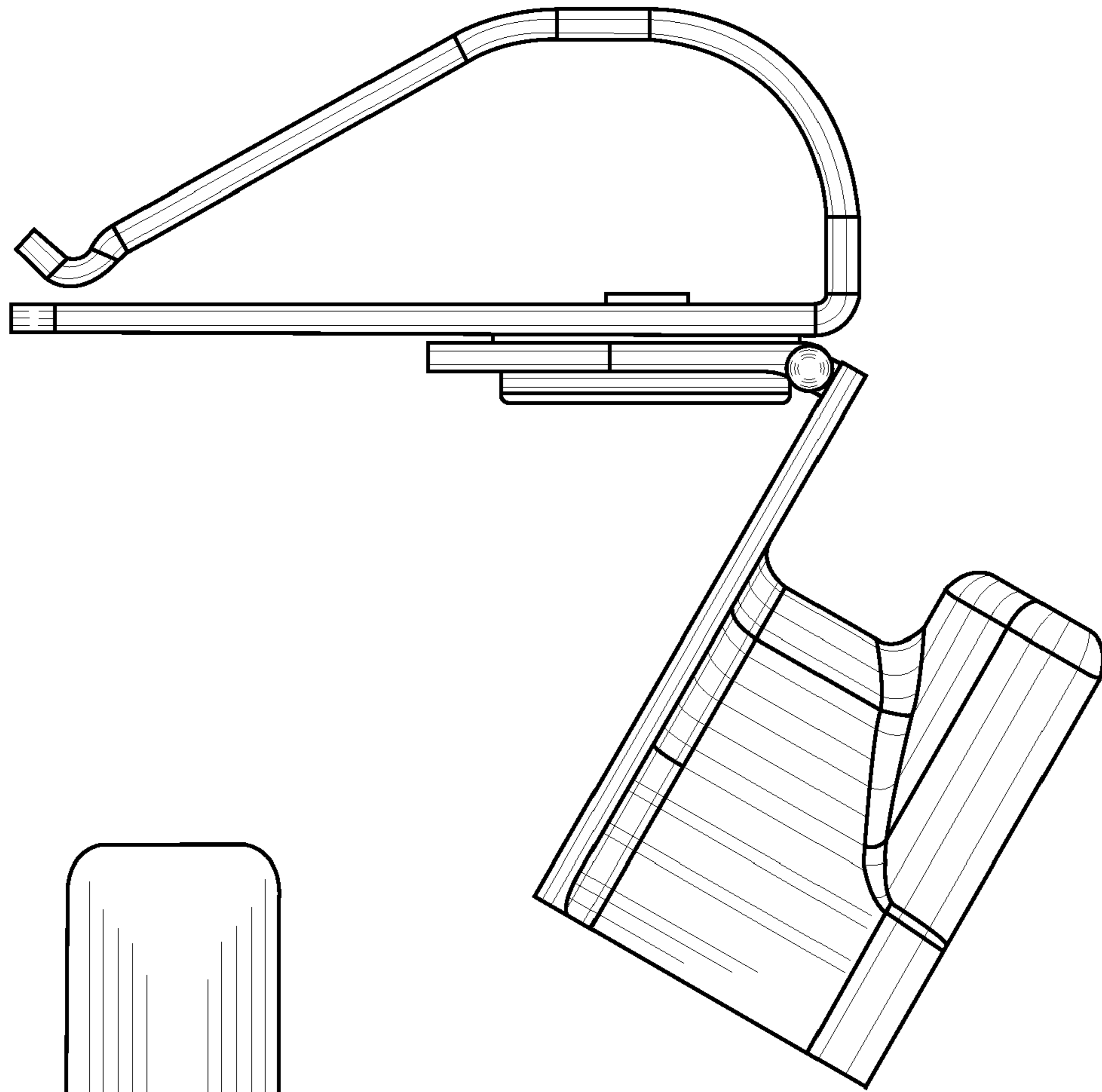


FIG. 7

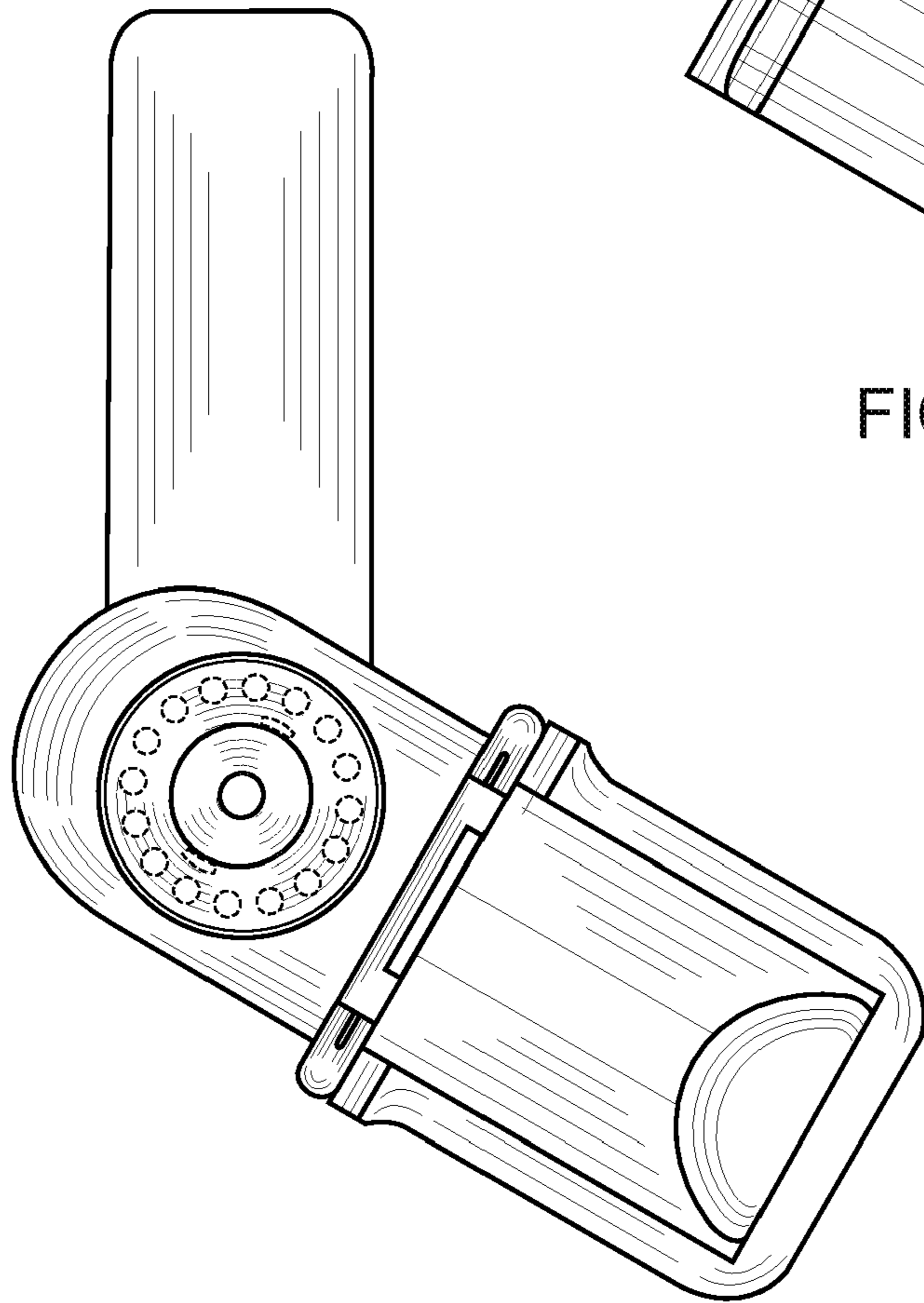


FIG. 8