



US00D585643S

(12) **United States Design Patent**
Preston-Hall

(10) **Patent No.:** **US D585,643 S**
(45) **Date of Patent:** **** Feb. 3, 2009**

(54) **CARD AND CURRENCY CARRYING DEVICE**

(57) **CLAIM**

(75) Inventor: **Rita Preston-Hall**, San Clemente, CA (US)

The ornamental design for a card and currency carrying device, as shown and described.

(73) Assignee: **The Naked Wallet, Inc.**, San Clemente, CA (US)

DESCRIPTION

(**) Term: **14 Years**

FIG. 1 is a front, bottom and right side perspective view of a card and currency carrying device showing my new design;

(21) Appl. No.: **29/301,326**

FIG. 2 is a back, top and left side perspective view of a card and currency carrying device showing my new design;

(22) Filed: **Feb. 22, 2008**

FIG. 3 is a front plan view thereof;

(51) **LOC (9) Cl.** **03-01**

FIG. 4 is a right side elevational view thereof;

(52) **U.S. Cl.** **D3/247**

FIG. 5 is a left side elevational view thereof;

(58) **Field of Classification Search** D3/207,
D3/215, 217, 247-252; 150/100, 103-104,
150/107-110, 118-119, 145, 131-132, 147;
24/3.12, 16 R, 17 B, 306, 442

FIG. 6 is a top plan view thereof;

FIG. 7 is a bottom plan view thereof;

See application file for complete search history.

FIG. 8 is a left side elevational view thereof;

FIG. 9 is a front elevational view of the card and currency carrying device of FIG. 3 rotated 90 degrees counterclockwise thereof; and,

(56) **References Cited**

FIG. 10 is another environmental left side elevational view thereof.

U.S. PATENT DOCUMENTS

5,279,019	A *	1/1994	Knickle	24/17 B
5,367,752	A	11/1994	Petty	24/301
6,205,622	B1 *	3/2001	Odishoo	24/17 B
6,357,084	B1	3/2002	Haidon	24/3
D527,898	S *	9/2006	Tavone	D3/247

The characteristic features of this design reside in the distinctive appearance of a pair of spaced, decorative support panels having the appearance of a wallet type structure with woven, elastic fabric material ends and having side wall assemblies which are deflectable by a user applying a compression force to the card and currency carrying device to form an opening into which a user can insert cards and folded currency and upon release of the compression force the card and currency carrying device securing the cards and currency therein.

OTHER PUBLICATIONS

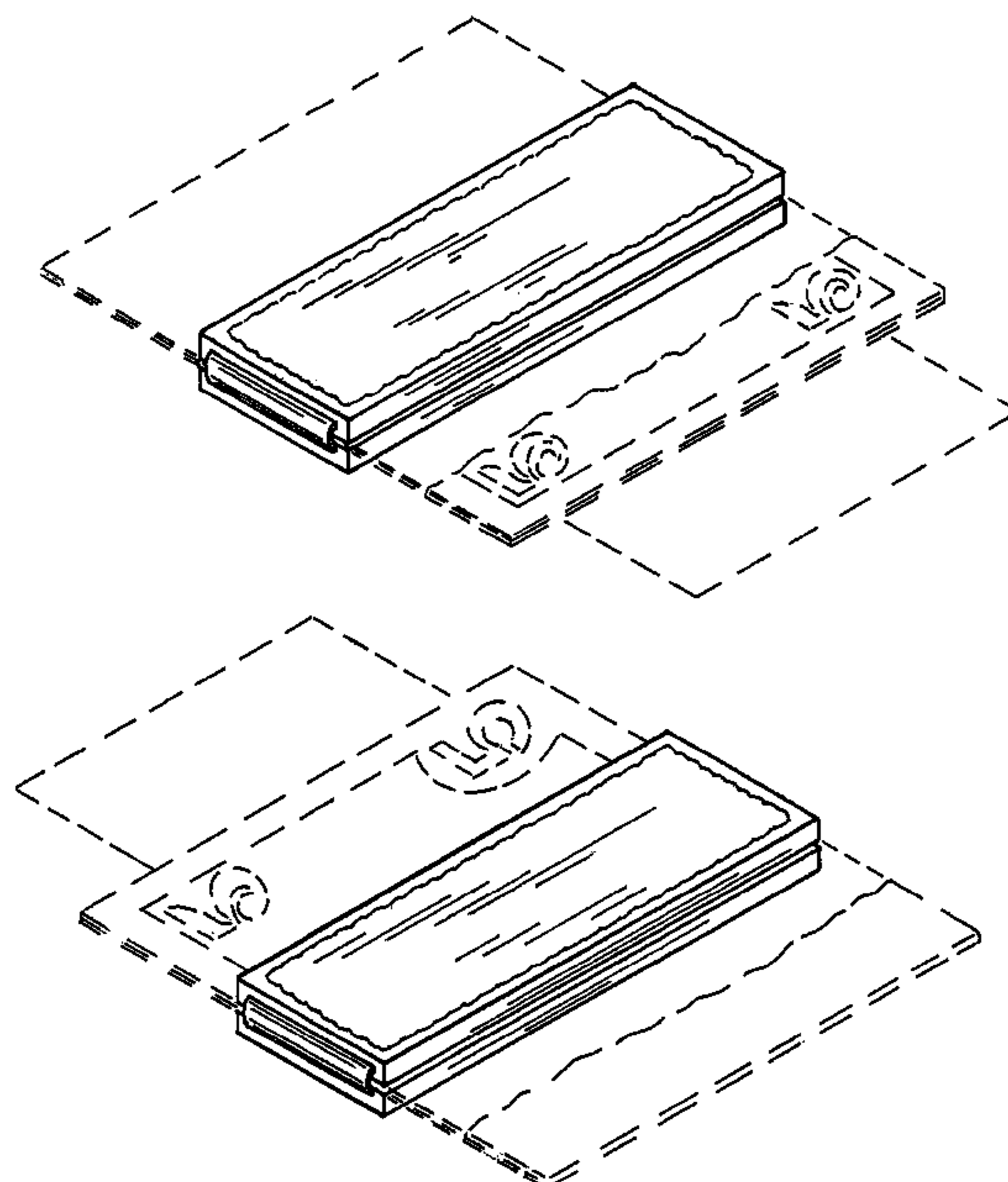
The Money Band, www.moneyband.com, three (3) pages, Aug. 7, 2006 (the Moneyband Reference).

The broken line showing of cards and currency are for illustrative purposes only and forms no part of the claimed design.

* cited by examiner

Primary Examiner—Holly H Baynham
(74) *Attorney, Agent, or Firm*—SoCal IP Law Group LLP;
Steven C. Sereboff

1 Claim, 3 Drawing Sheets



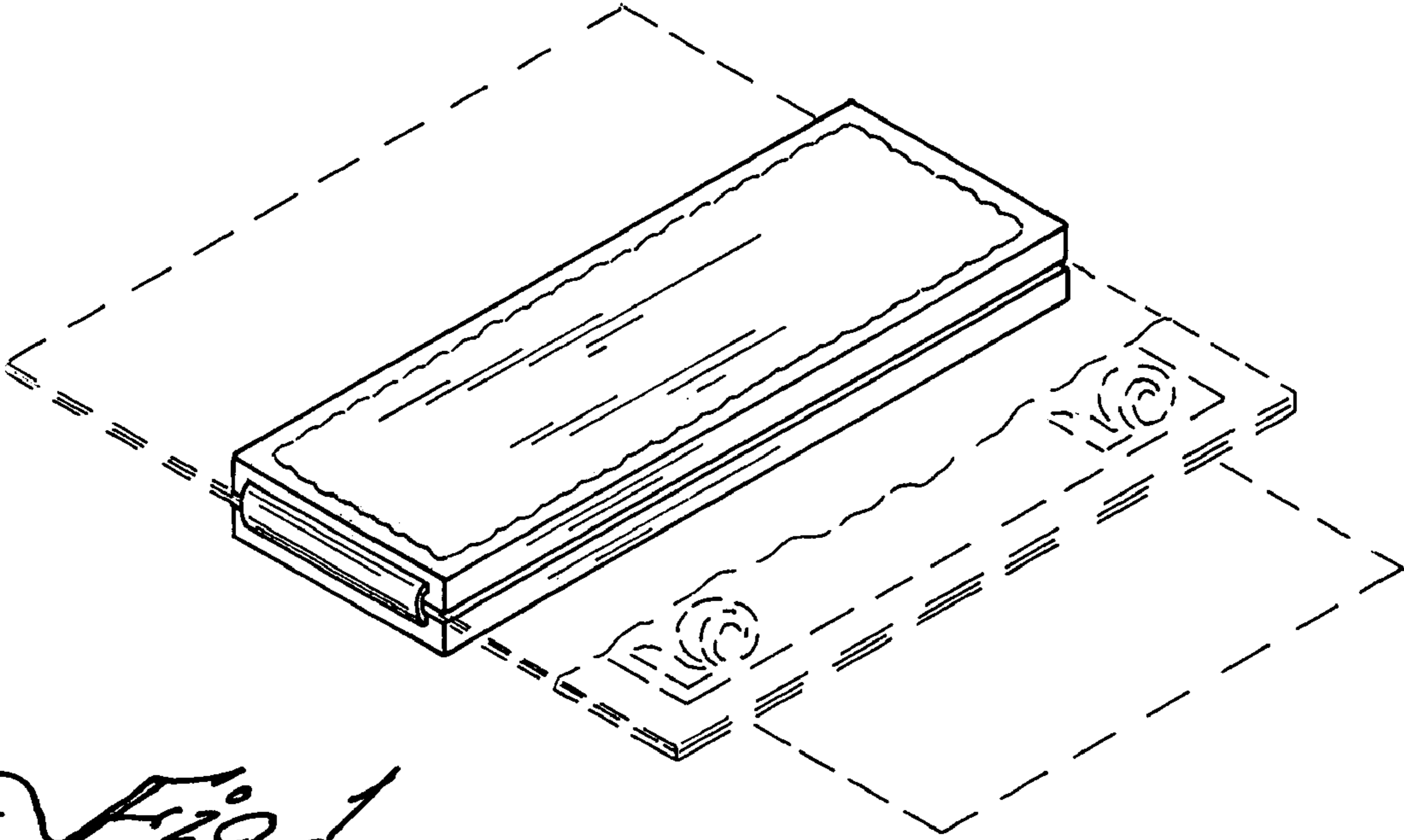


Fig 1

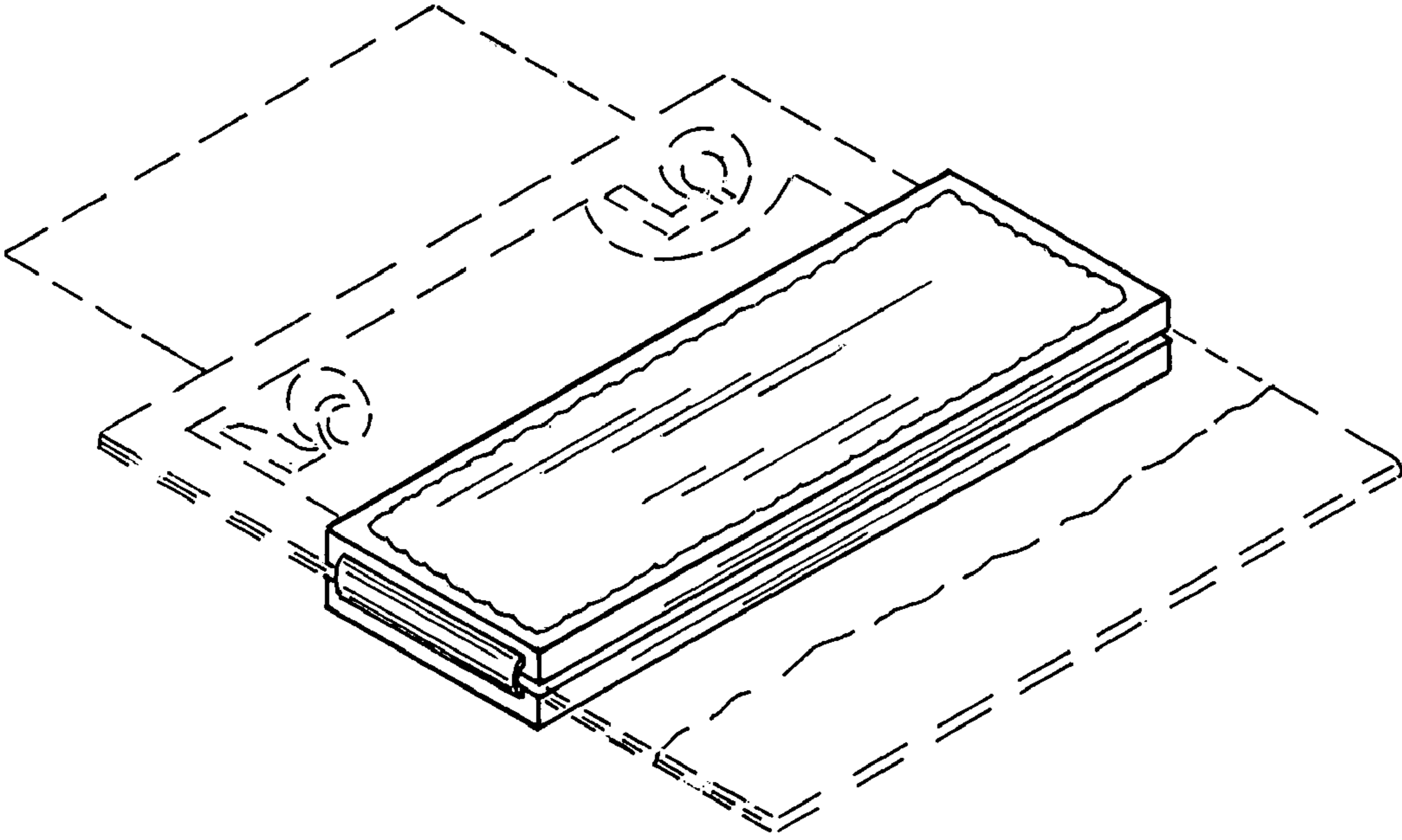


Fig 2

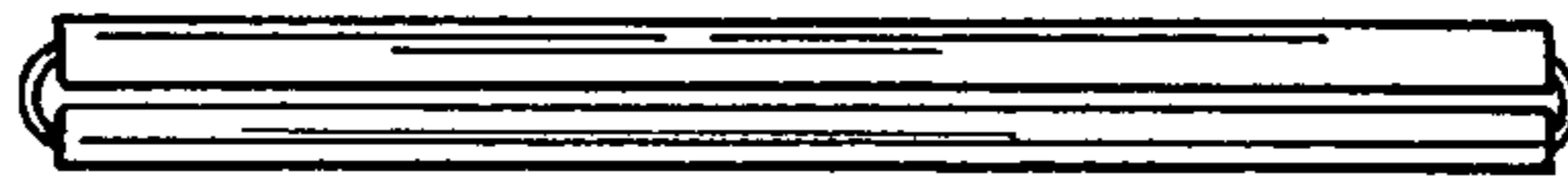


Fig 7



Fig 5

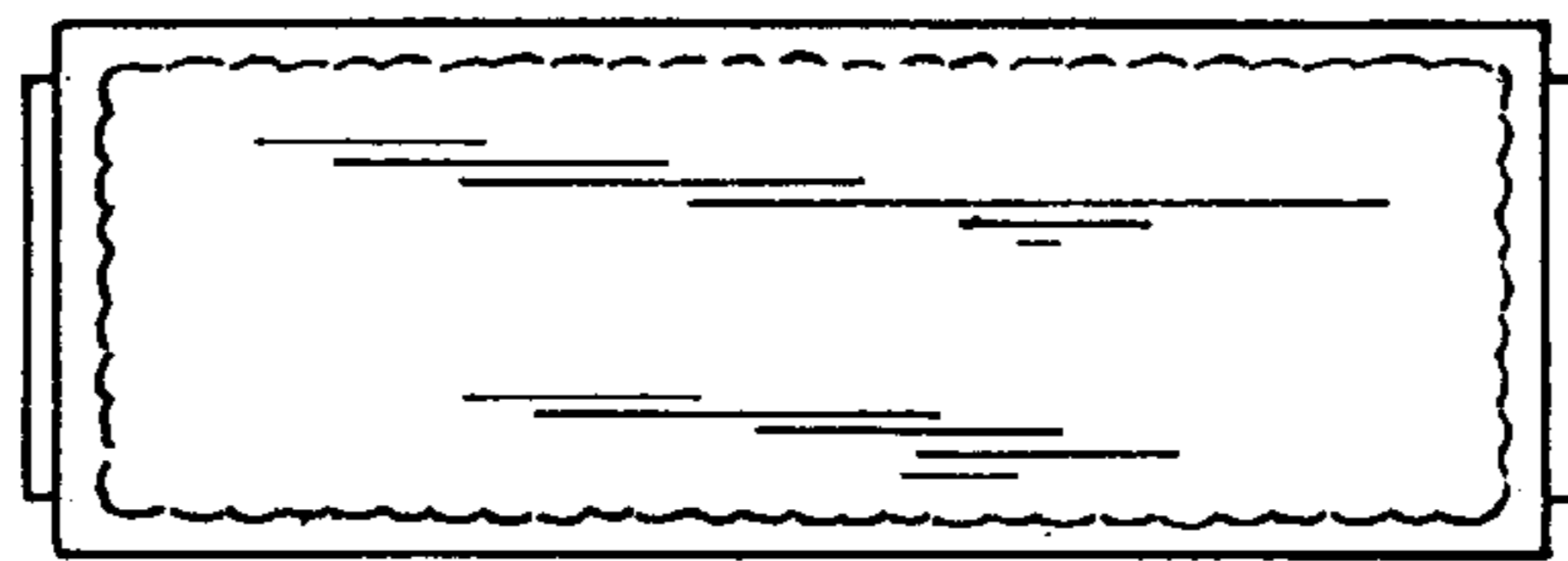


Fig 3



Fig 4

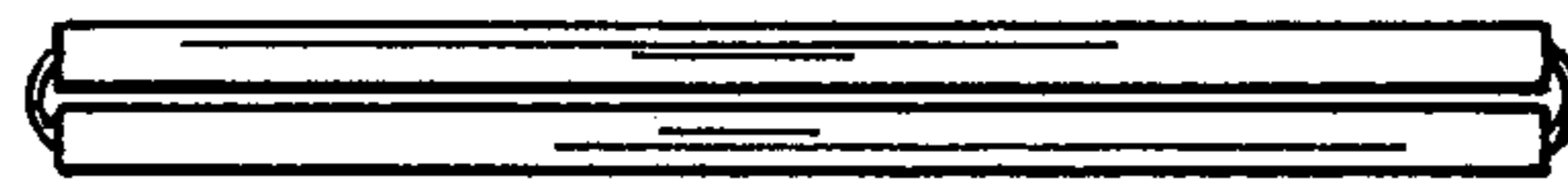


Fig 6

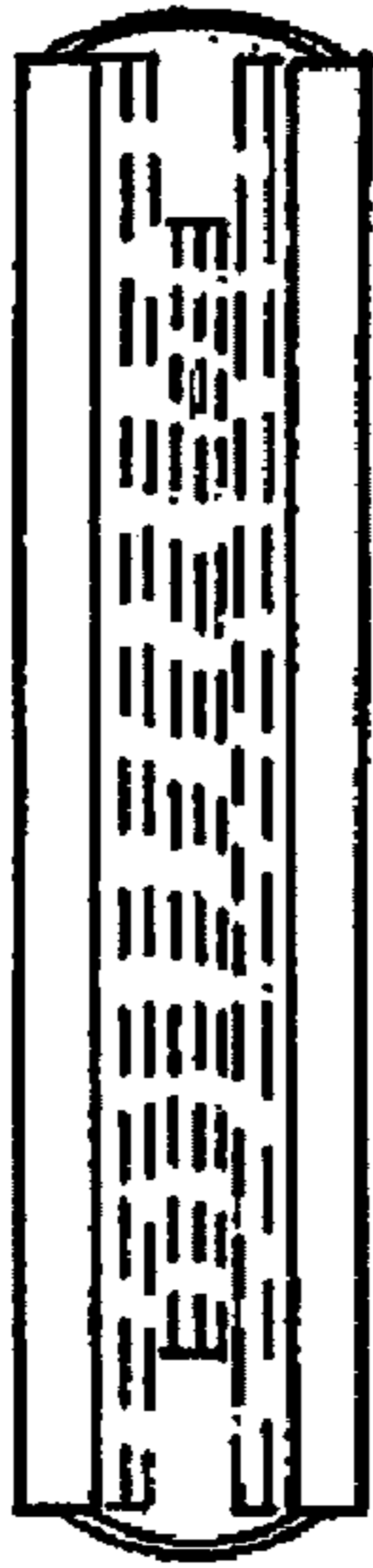


Fig 8

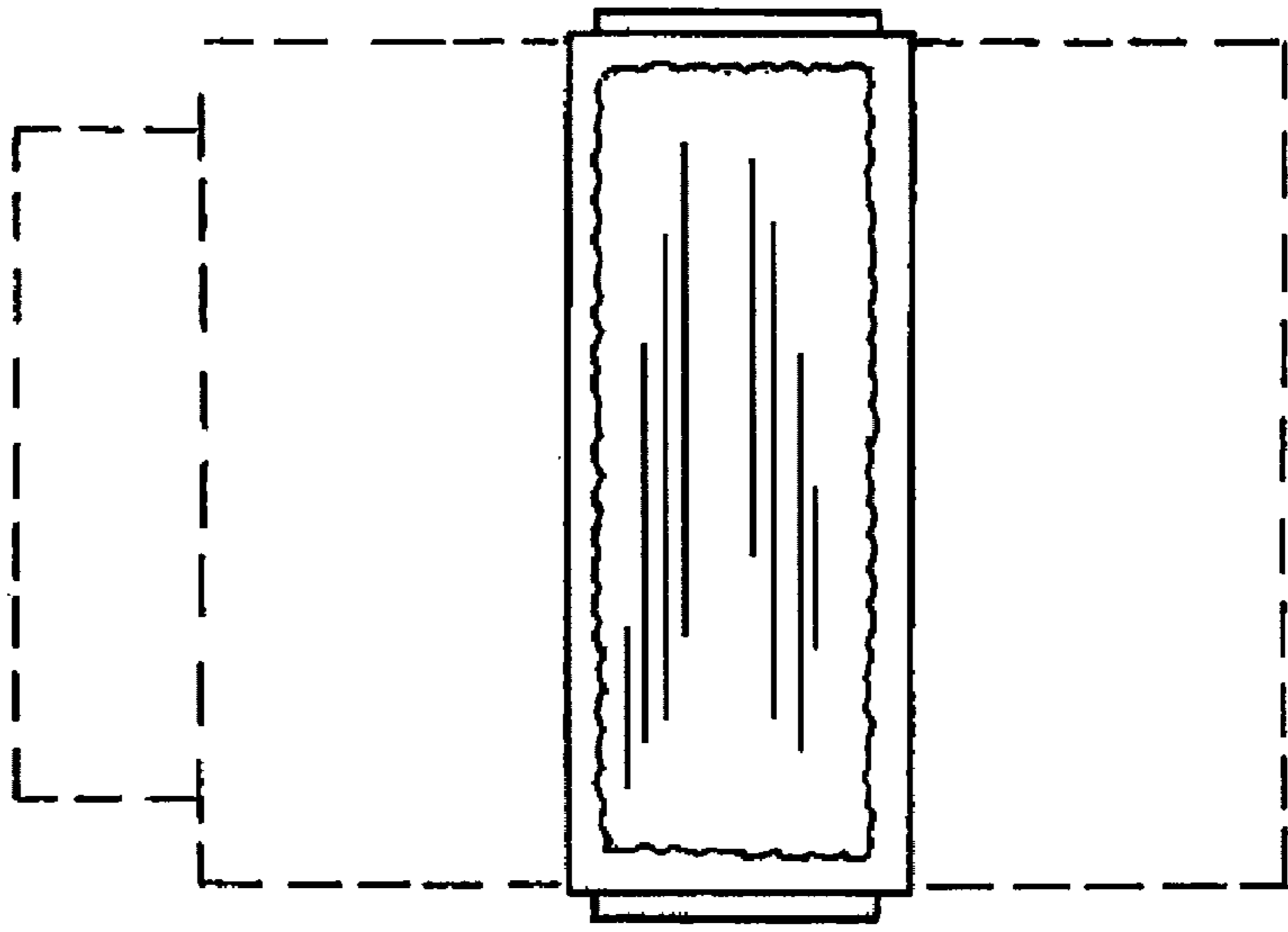


Fig 9

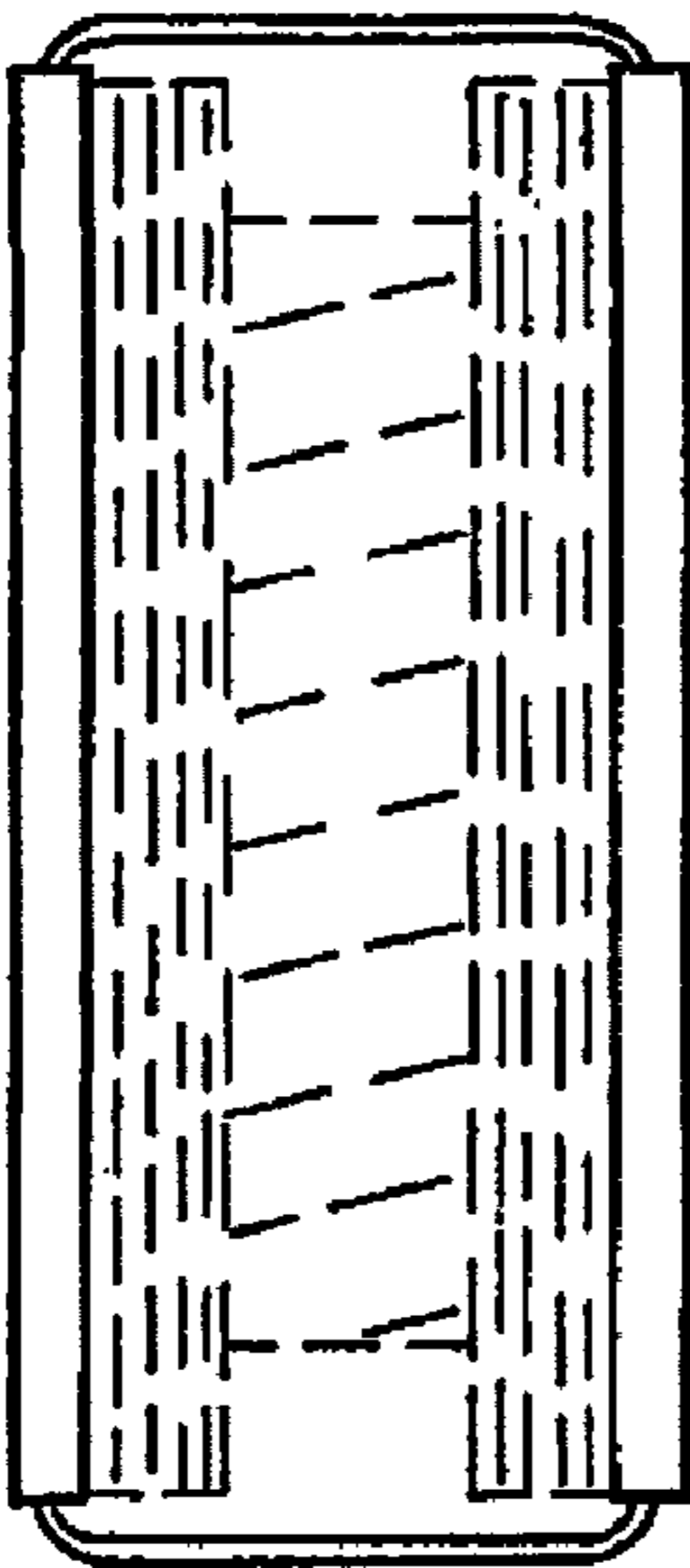


Fig 10