



US00D585642S

(12) **United States Design Patent**
Rosenberg

(10) **Patent No.:** **US D585,642 S**

(45) **Date of Patent:** **** Feb. 3, 2009**

(54) **REMOVABLE BILL HOLDER**

D550,454 S * 9/2007 Costello D3/247

(76) Inventor: **Joan Rosenberg**, 150 E. 58th St., 32nd Floor, New York, NY (US) 10155

* cited by examiner

(**) Term: **14 Years**

Primary Examiner—Holly H Baynham
(74) *Attorney, Agent, or Firm*—Pillsbury Winthrop Shaw Pittman LLP

(21) Appl. No.: **29/288,084**

(22) Filed: **May 30, 2007**

(57) **CLAIM**

(51) **LOC (9) Cl.** **03-01**

The ornamental design for a removable bill holder, as shown and described.

(52) **U.S. Cl.** **D3/247**

(58) **Field of Classification Search** D3/247–252,
D3/273, 299; D19/78; 150/114, 131–132,
150/145, 147, 149

DESCRIPTION

See application file for complete search history.

FIG. 1 is a perspective view of the removable bill holder, a portion of which having been fitted into a wallet;

FIG. 2 is a perspective view of the removable bill holder;

FIG. 3 is a front view of the removable bill holder;

FIG. 4 is a front view of the removable bill holder with the interior flap folded back; and,

FIG. 5 is a back view of the removable bill holder.

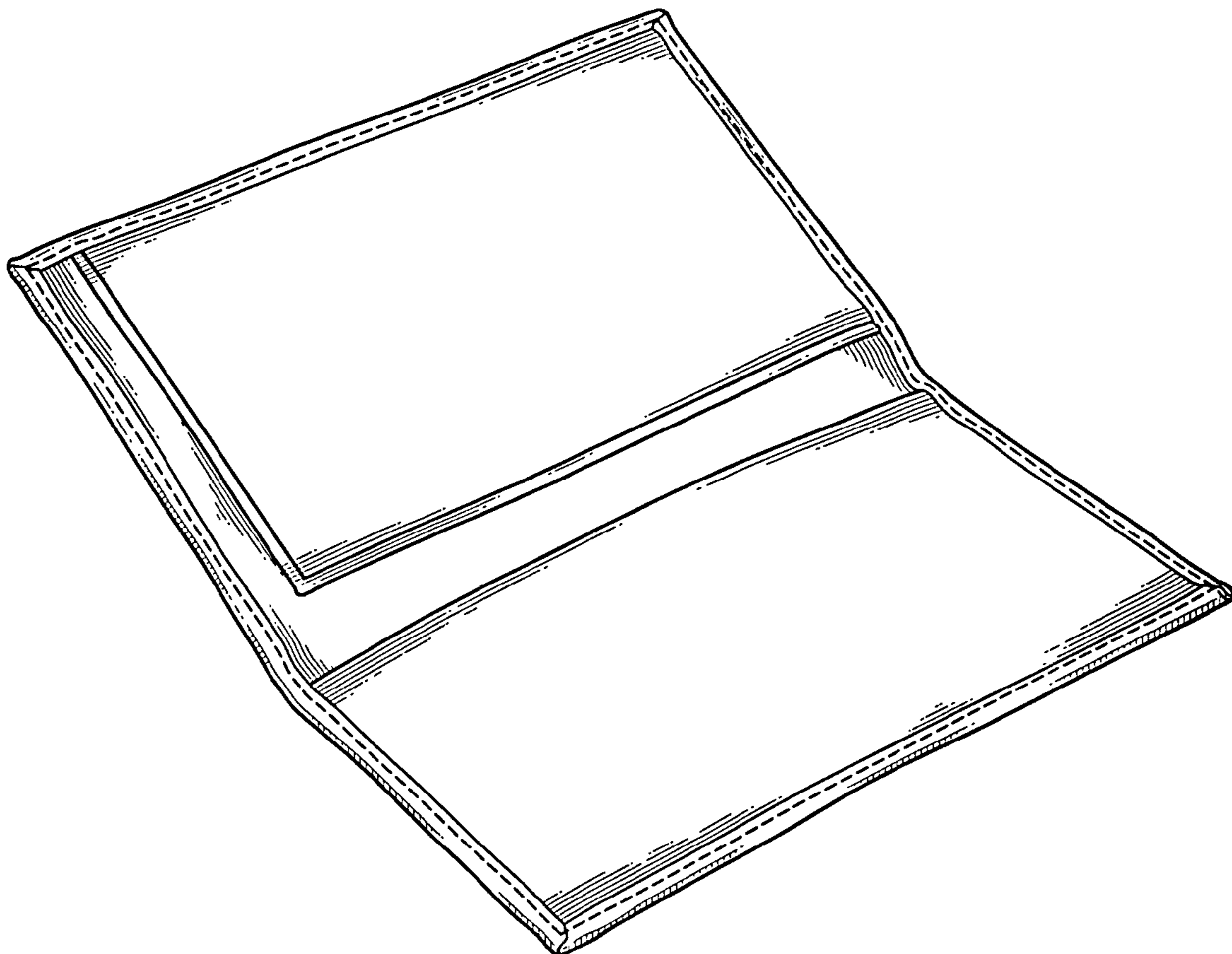
The broken lines of FIG. 1 are for illustrating a wallet in an environmental view of the removable bill holder and form no part of the claimed design.

(56) **References Cited**

U.S. PATENT DOCUMENTS

1,558,921	A	*	10/1925	Reichle	150/132
D111,621	S	*	10/1938	Stanley	D3/250
2,788,041	A	*	4/1957	Carver	150/147
D471,008	S	*	3/2003	Dubone	D3/247
D511,038	S	*	11/2005	Schrey	D3/249
D530,093	S	*	10/2006	Suppangig	D3/299
D543,359	S	*	5/2007	Suppangig	D3/299
D547,547	S	*	7/2007	Maurion	D3/247

1 Claim, 5 Drawing Sheets



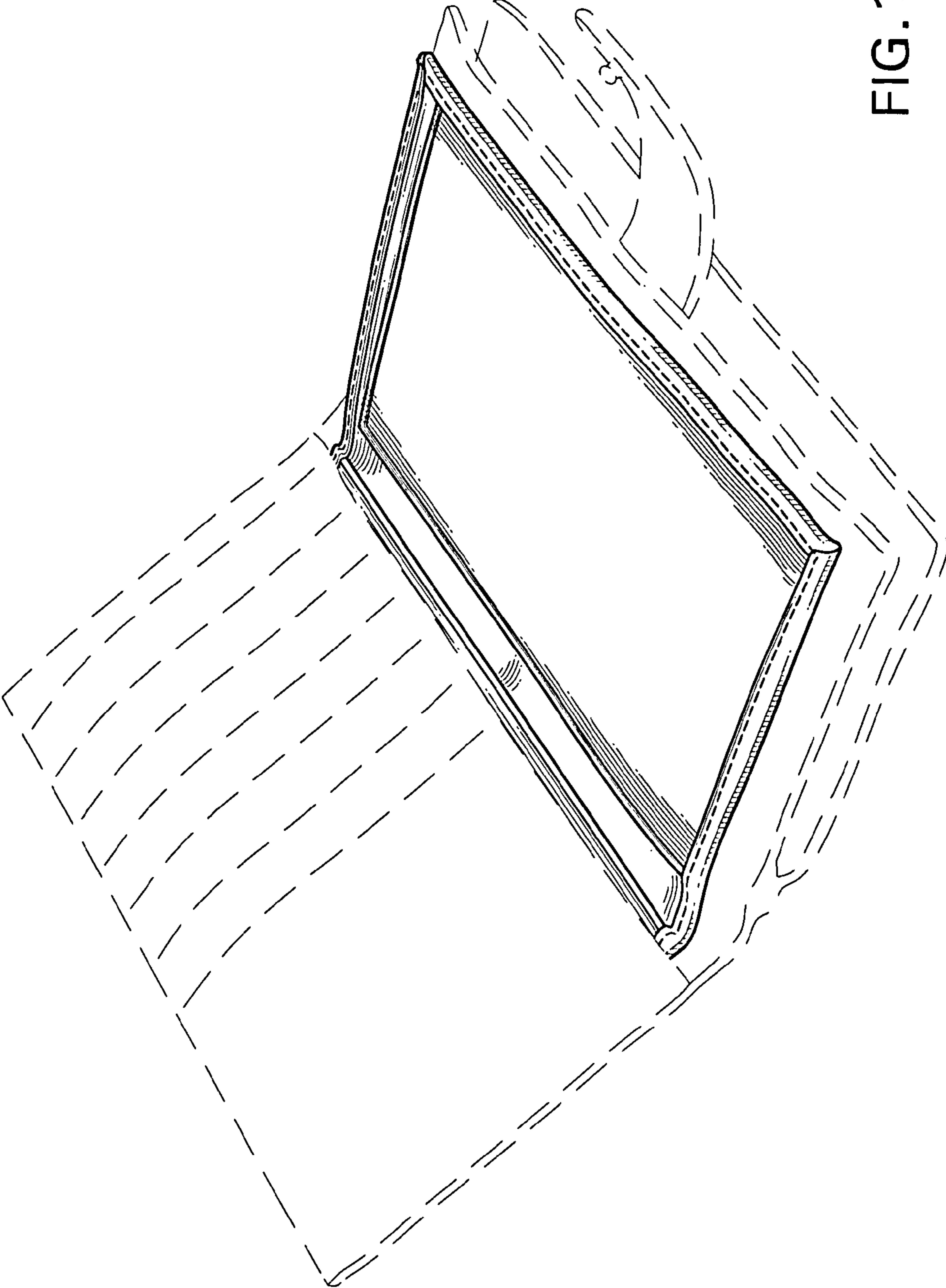


FIG. 1

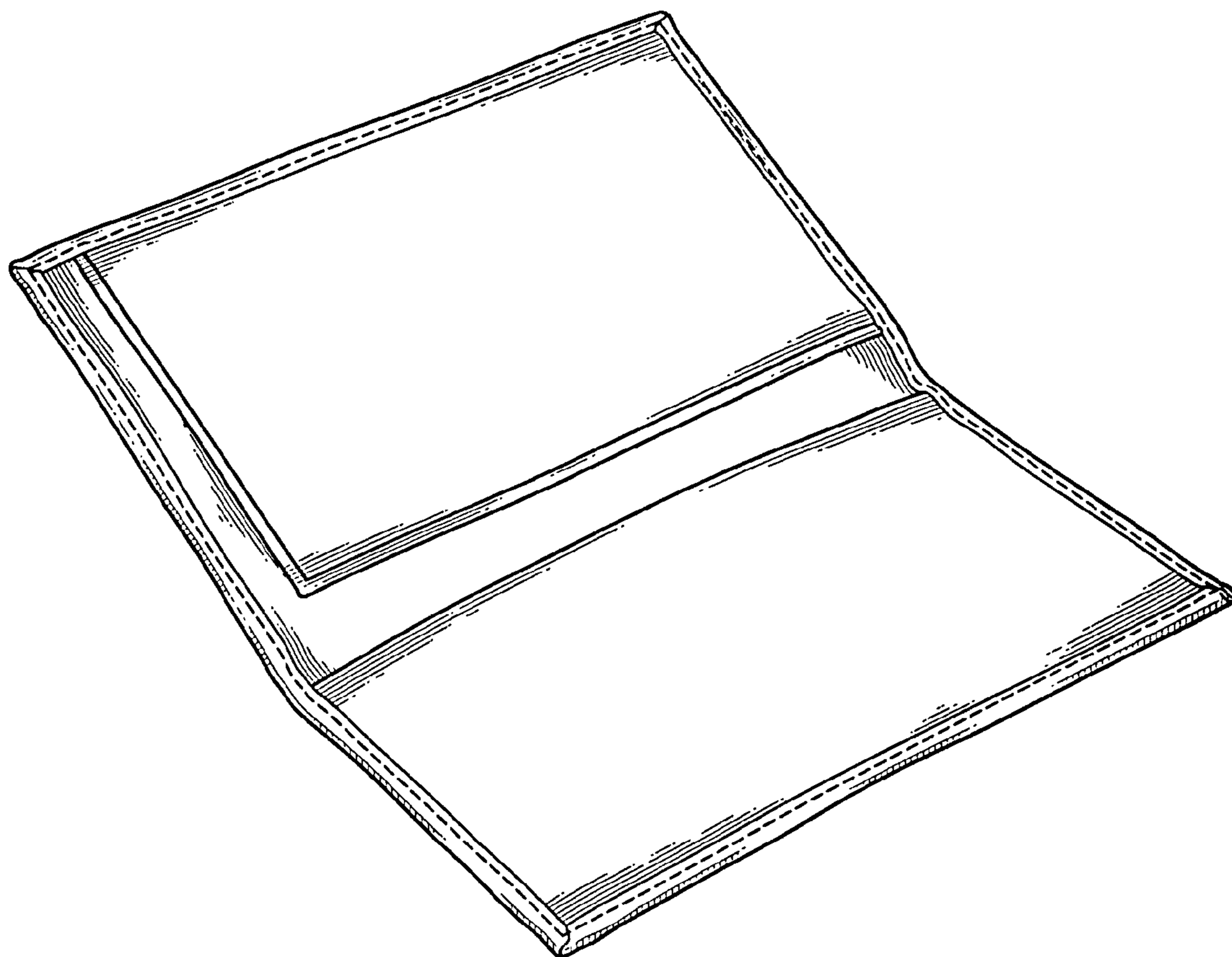


FIG. 2

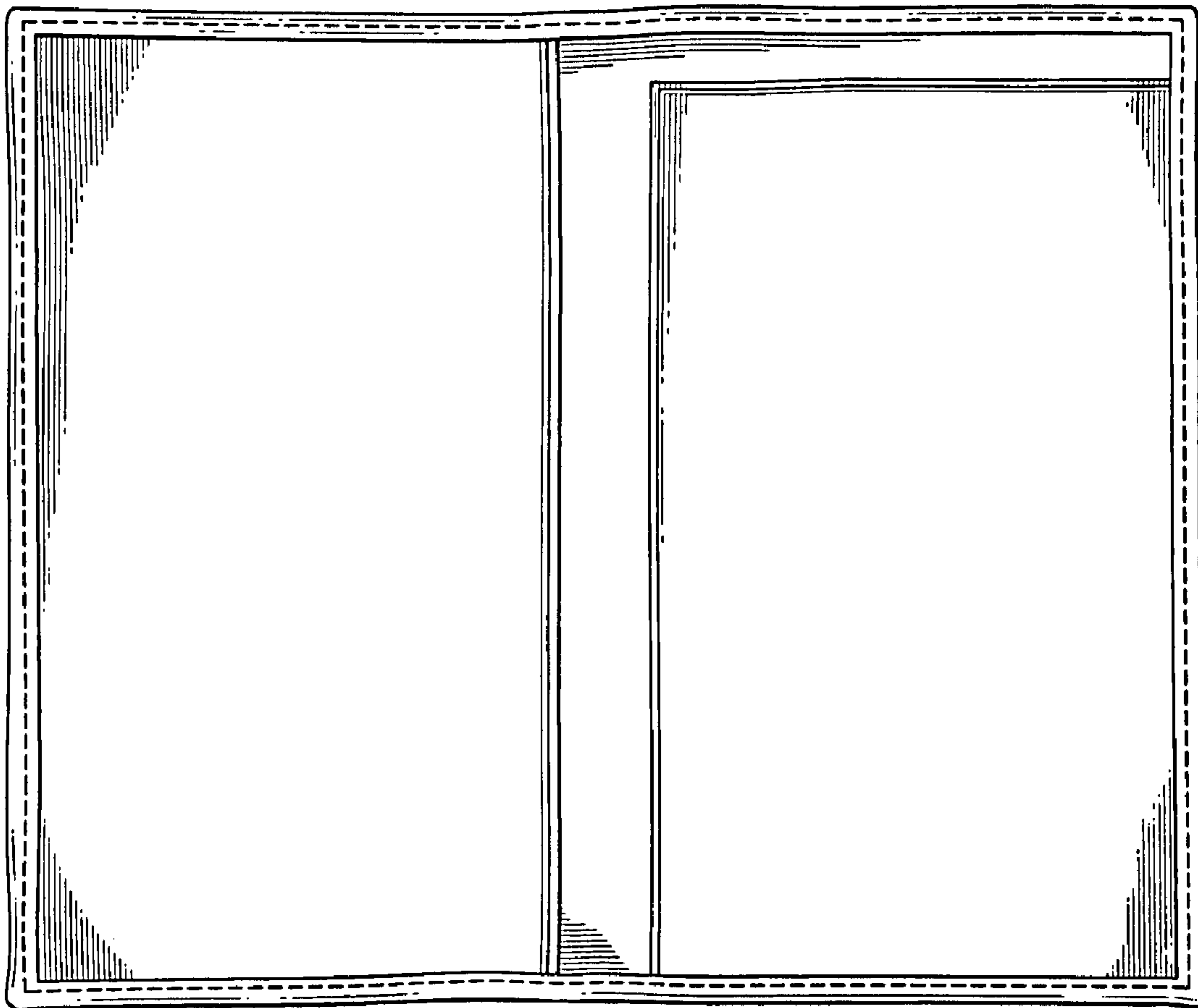


FIG. 3

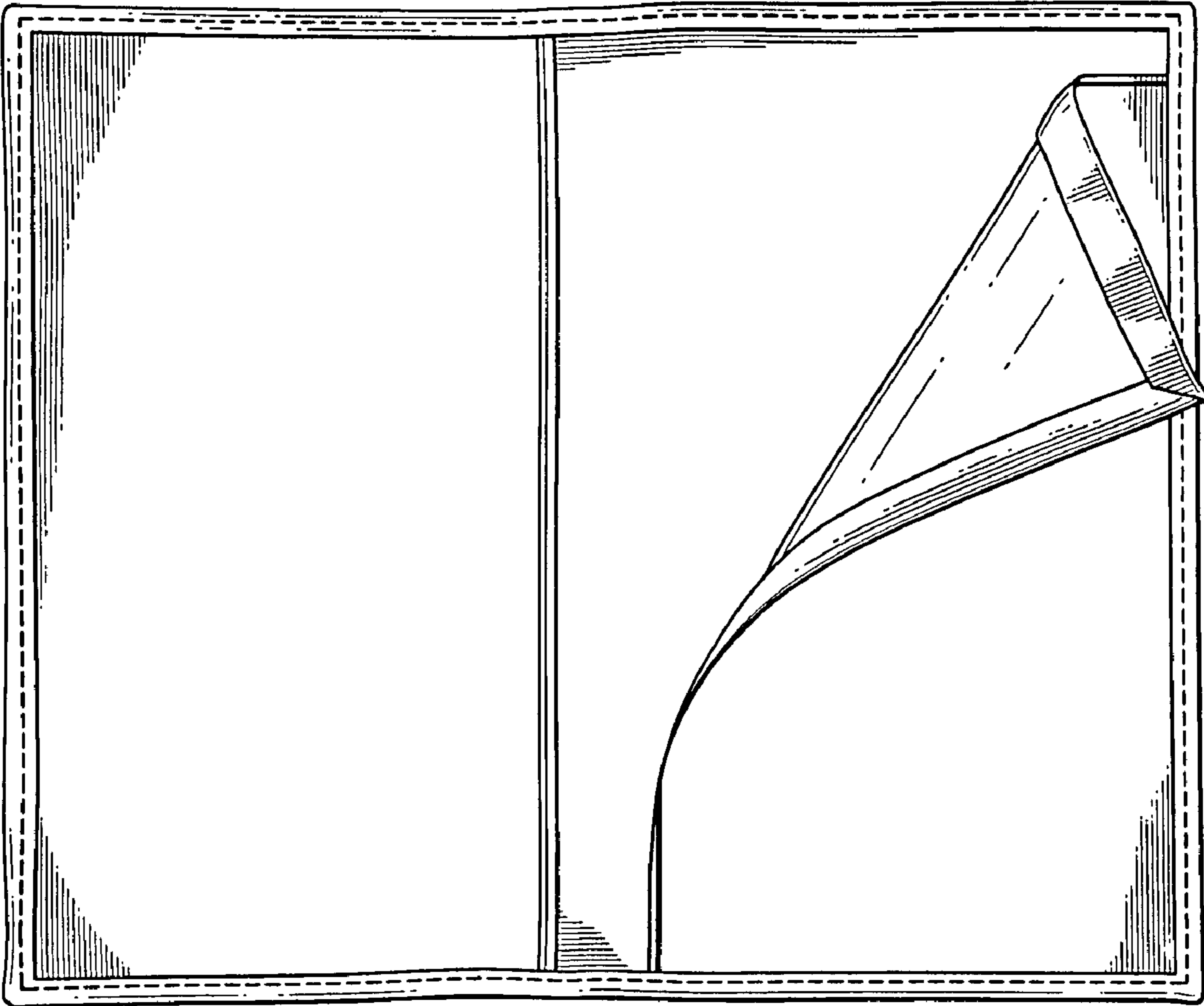


FIG.4

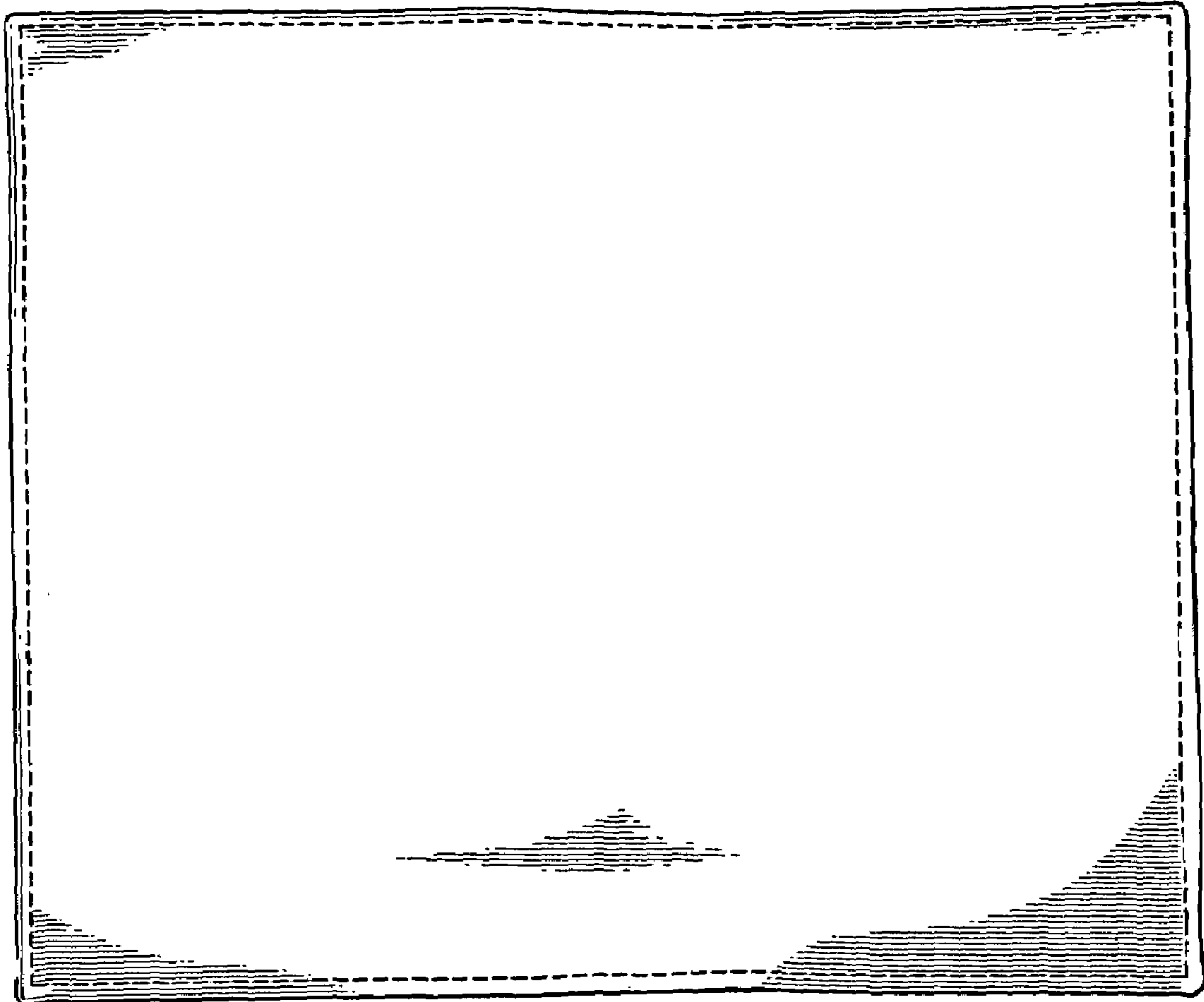


FIG. 5