



US00D585641S

(12) **United States Design Patent**
Maxwell

(10) **Patent No.:** **US D585,641 S**

(45) **Date of Patent:** **** Feb. 3, 2009**

(54) **TOTE BAG**

(75) **Inventor:** **Farries Maxwell**, 2035 Marmion Ave.,
Bronx, NY (US) 10460

(73) **Assignees:** **Farries Maxwell**, Bronx, NY (US);
Gary Heyward, New York, NY (US)

(**) **Term:** **14 Years**

(21) **Appl. No.:** **29/319,348**

(22) **Filed:** **Jun. 6, 2008**

(51) **LOC (9) Cl.** **03-01**

(52) **U.S. Cl.** **D3/232**

(58) **Field of Classification Search** D3/232–233,
D3/240–246, 318, 322, 324; 150/100, 103–104,
150/107–110, 114, 118–119

See application file for complete search history.

(56) **References Cited**

U.S. PATENT DOCUMENTS

D550,453 S * 9/2007 Ford D3/247

D553,856 S * 10/2007 Shum D3/247

* cited by examiner

Primary Examiner—Holly H Baynham

(74) *Attorney, Agent, or Firm*—Pryor Cashman LLP; Barry
E. Negrin, Esq.

(57) **CLAIM**

The ornamental design for a tote bag, as shown and described.

DESCRIPTION

FIG. 1 is a front perspective view of the tote bag according to
the invention.

FIG. 2 is a front elevation view of the tote bag of FIG. 1.

FIG. 3 is a rear elevation view of the tote bag of FIG. 1.

FIG. 4 is a top elevation view of the tote bag of FIG. 1.

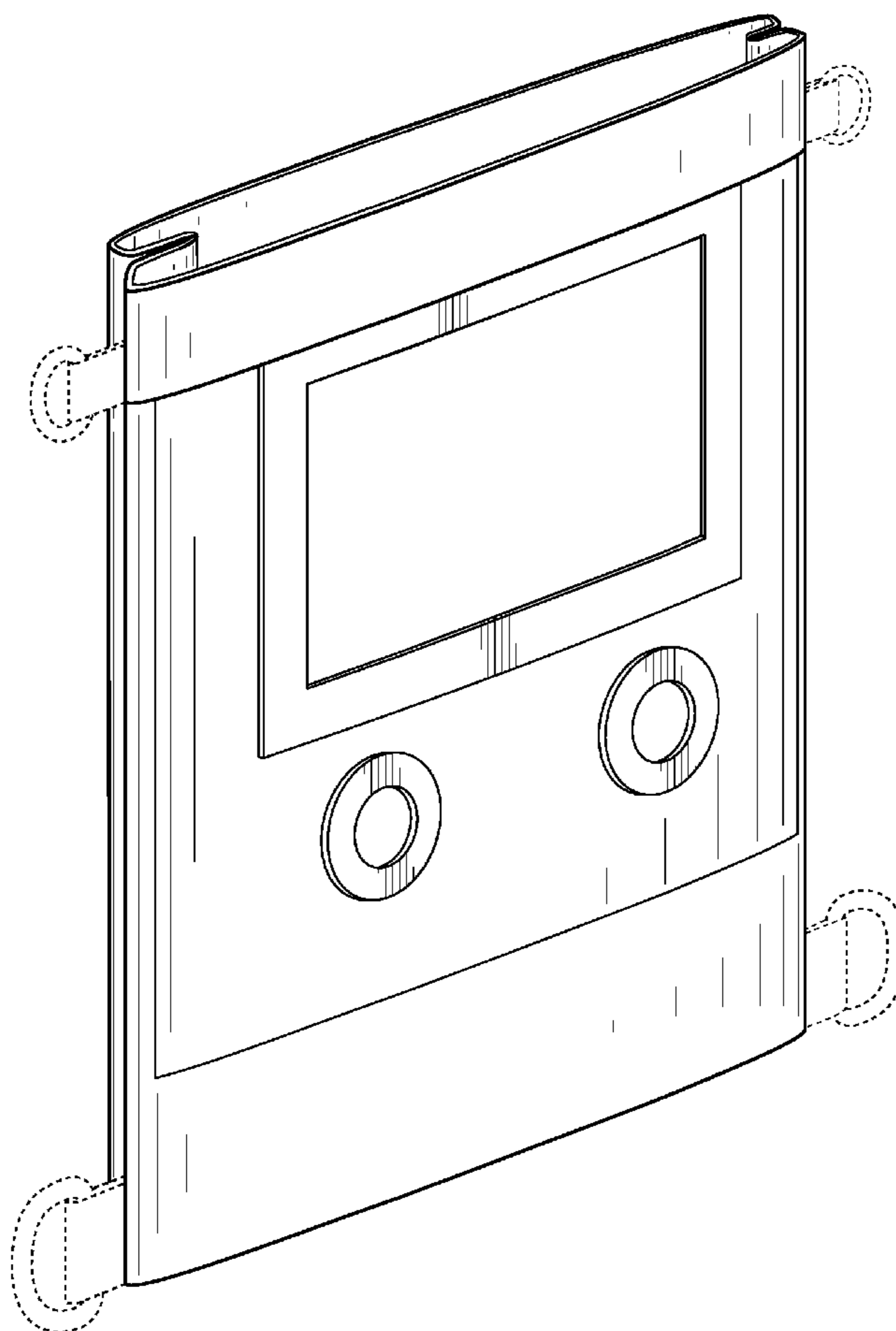
FIG. 5 is a bottom elevation view of a tote bag of FIG. 1.

FIG. 6 is a left elevation view of the tote bag of FIG. 1; and,

FIG. 7 is a right elevation view of the tote bag of FIG. 1.

The broken line portions of the drawings, including handle
loops, are environmental and do not form part of the claimed
design.

1 Claim, 5 Drawing Sheets



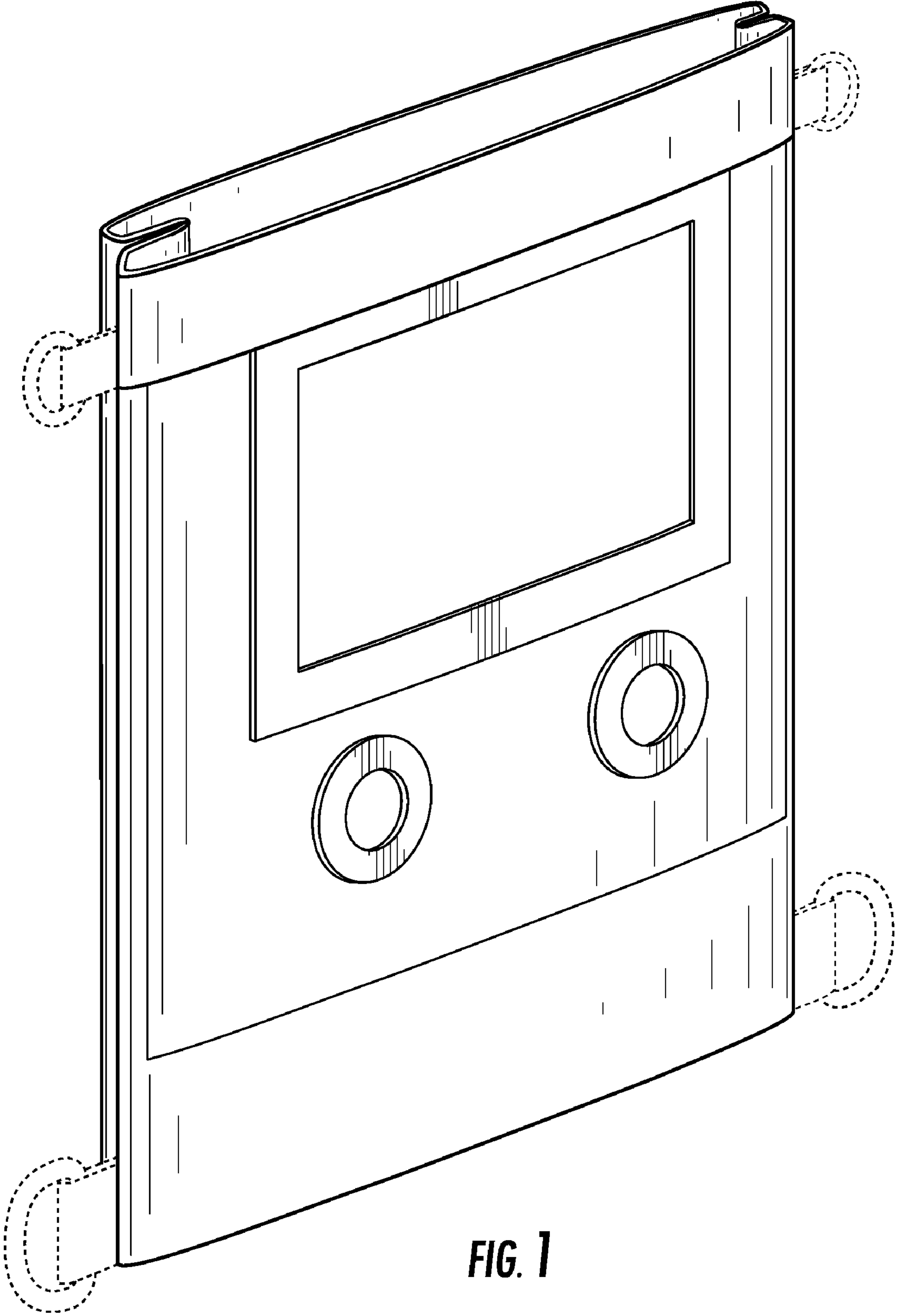


FIG. 1

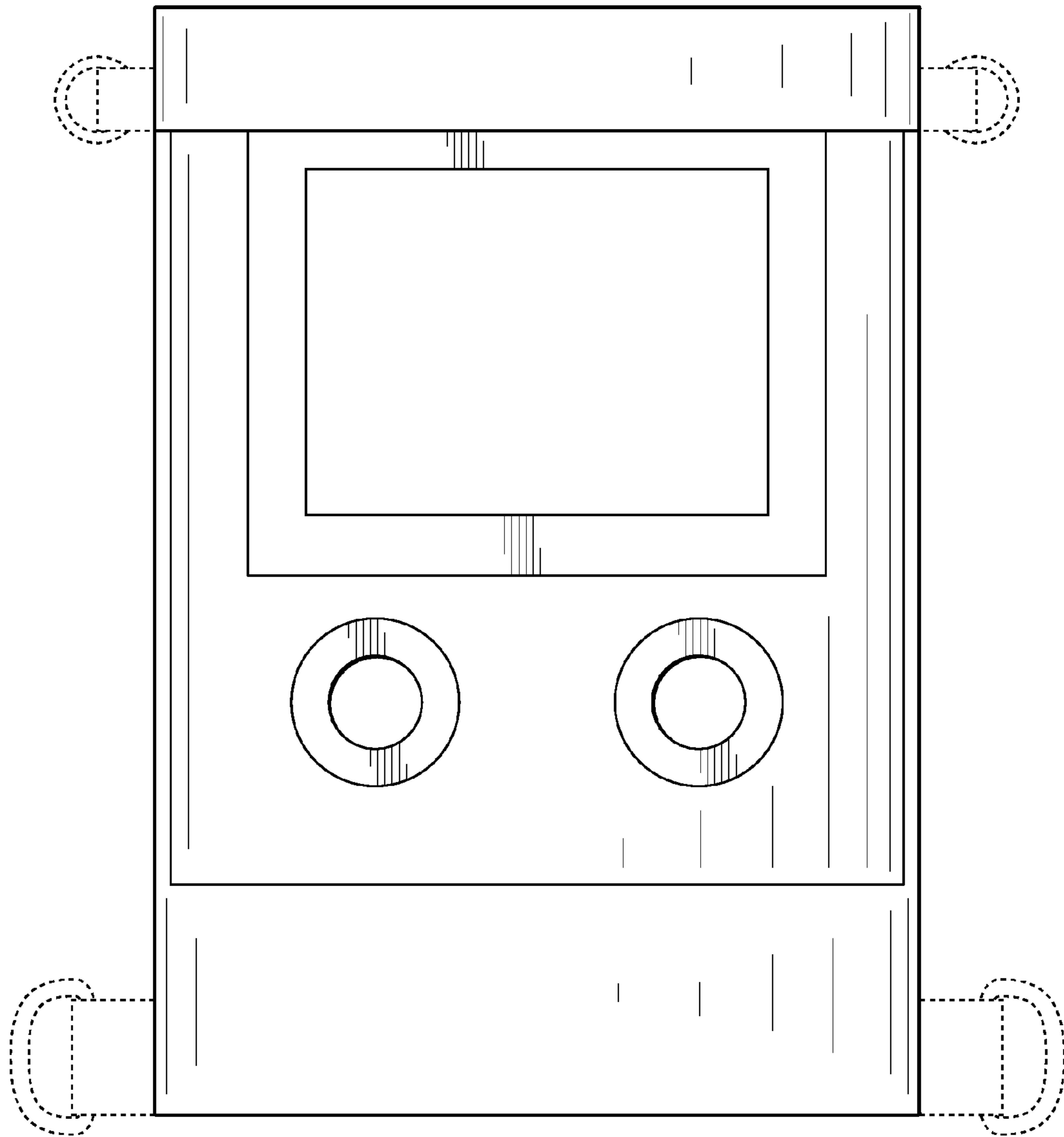


FIG. 2

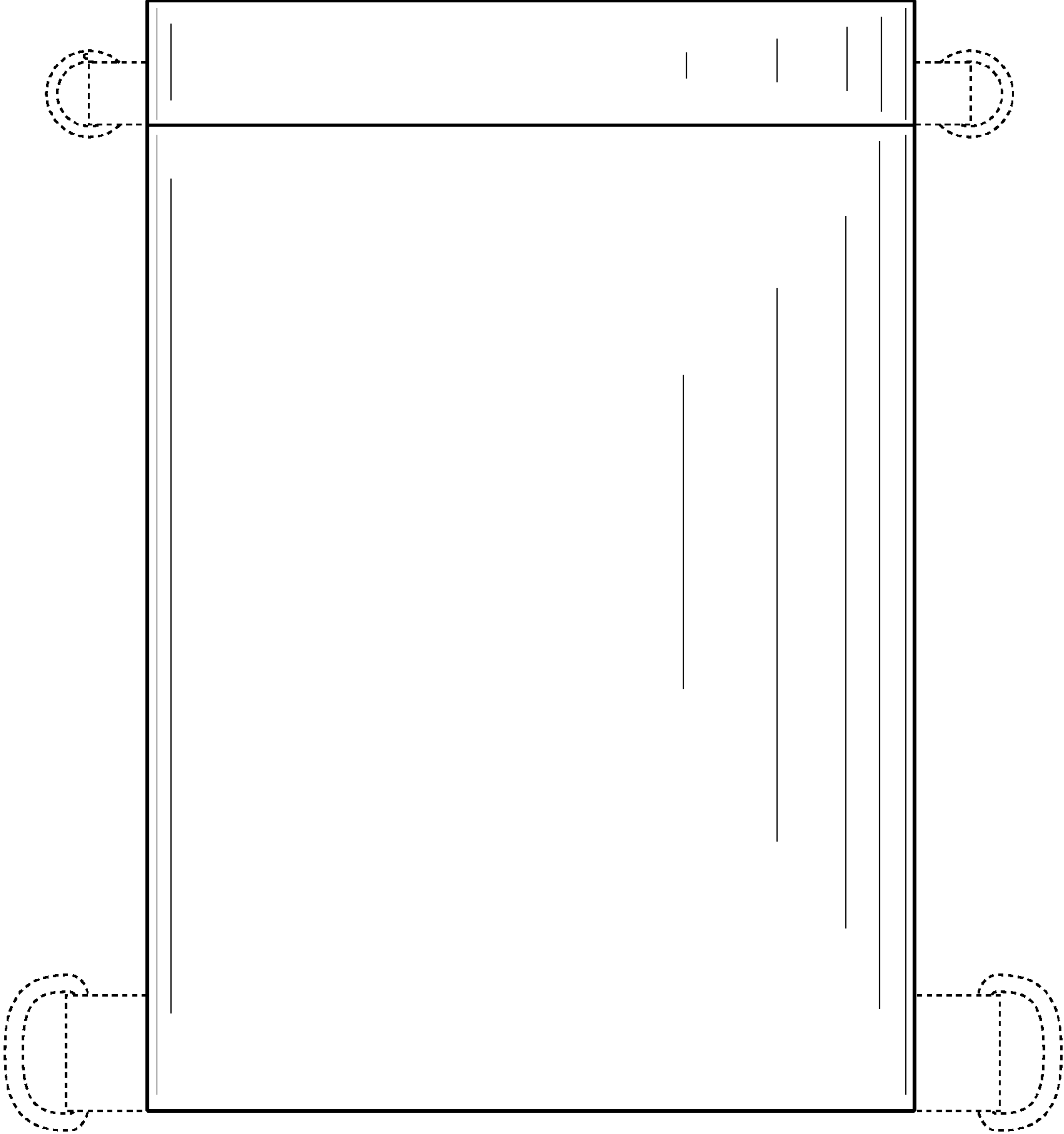


FIG. 3

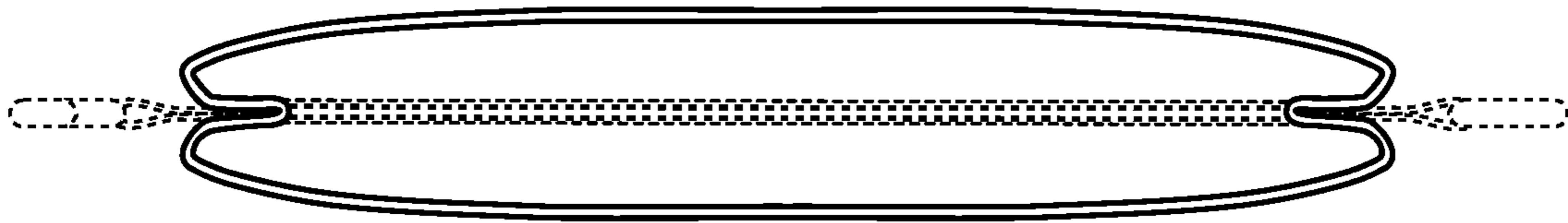


FIG. 4

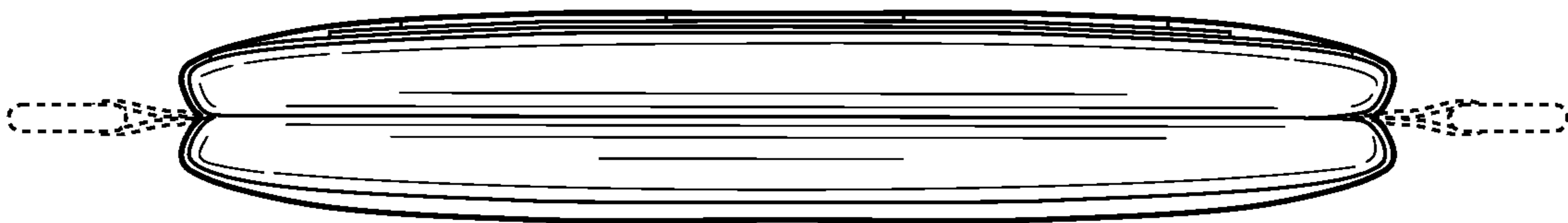


FIG. 5

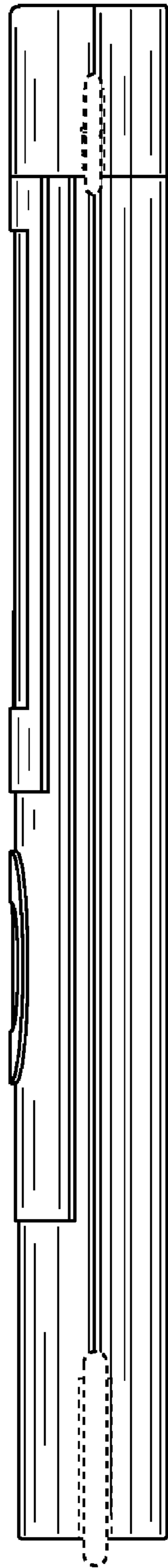


FIG. 6

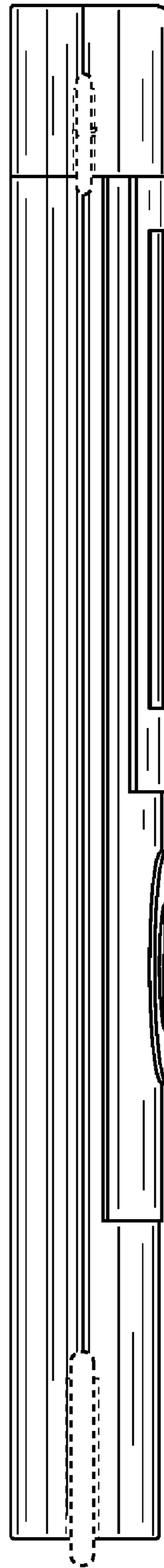


FIG. 7