



US00D585628S

(12) **United States Design Patent**
Yang

(10) **Patent No.:** **US D585,628 S**
(45) **Date of Patent:** **** Feb. 3, 2009**

- (54) **LOCK DEVICE FOR A GLOVE**
- (75) Inventor: **Shih-Sheng Yang**, Taipei Hsien (TW)
- (73) Assignee: **Universal Trim Supply Co., Ltd.**,
Taipei Hsien (TW)
- (**) Term: **14 Years**
- (21) Appl. No.: **29/290,702**
- (22) Filed: **Jan. 4, 2008**
- (51) **LOC (9) Cl.** **02-06**
- (52) **U.S. Cl.** **D2/623**
- (58) **Field of Classification Search** D2/610,
D2/612, 614-623; D29/113, 116.2, 117.1-119,
D29/120.1, 123; 2/16, 159, 161.1-161.8,
2/162, 198, 170, 455, 908, 917; D24/190;
D28/63; D32/40, 42, 43, 41; D21/807; D3/215,
D3/224, 226, 218, 221, 228, 329; 224/219,
224/222, 267, 237, 919, 918, 933, 269, 901,
224/268; 40/586, 633; 15/104.94, 107, 227;
D4/134; D20/33; 24/3.11, 3.12, 3.13, 3.6;
473/406
See application file for complete search history.

- D386,215 S * 11/1997 White et al. D20/43
- 5,687,458 A * 11/1997 Coker 24/336
- D478,723 S * 8/2003 Blanton D3/221
- 6,631,538 B1 * 10/2003 Carr 24/299
- 6,691,374 B2 * 2/2004 Coyne 24/3.3
- D515,412 S * 2/2006 Waaler et al. D8/395
- D522,851 S * 6/2006 Votel D8/395
- 7,337,501 B2 * 3/2008 Vermillion 24/3.12

* cited by examiner

Primary Examiner—Raphael Barkai
Assistant Examiner—Randall H Gholson
(74) *Attorney, Agent, or Firm*—Troxell Law Office PLLC

(57) **CLAIM**

The ornamental design for a lock device for a glove, as shown and described.

DESCRIPTION

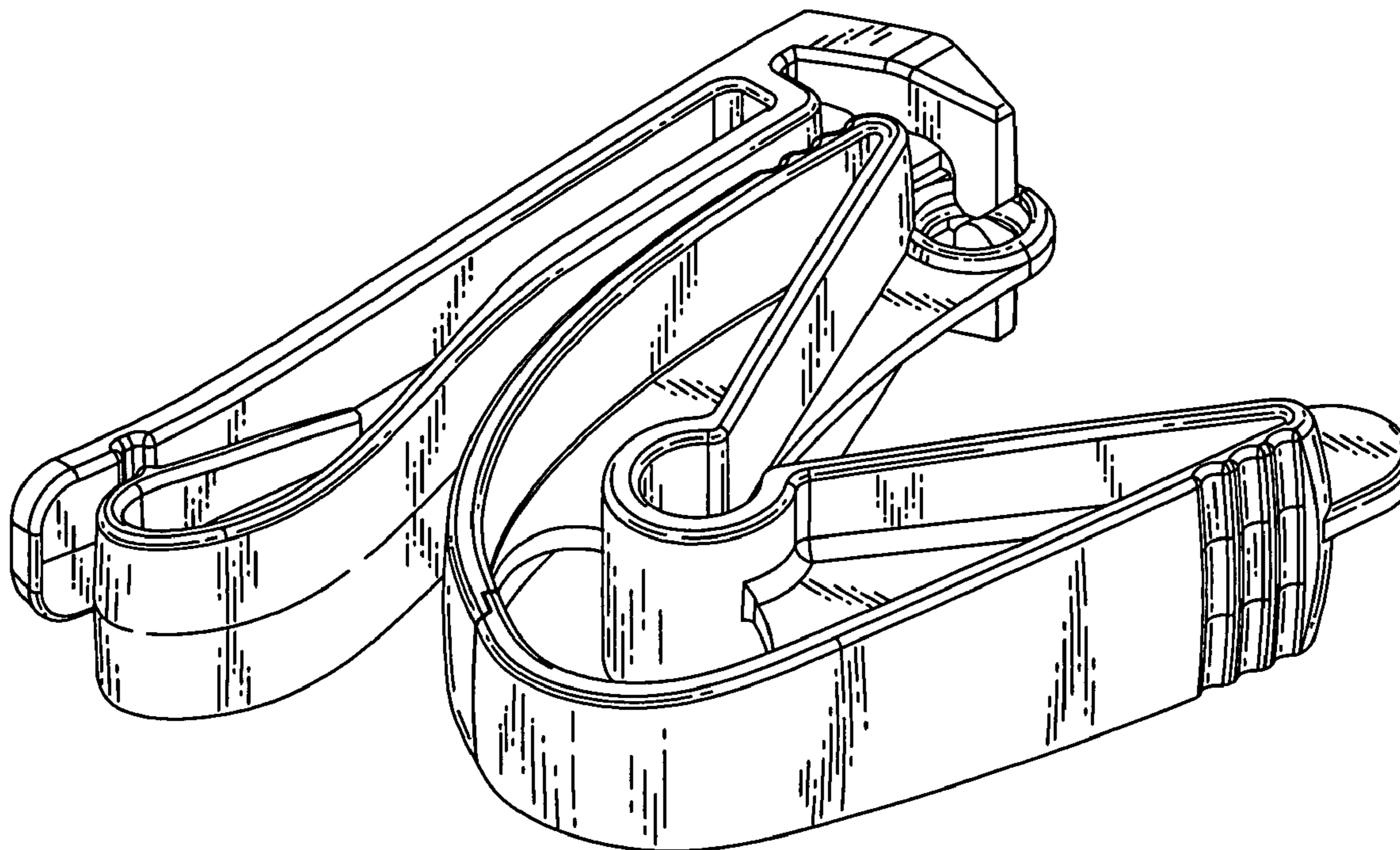
FIG. 1 is a perspective view of a lock device for a glove;
FIG. 2 is a front view thereof;
FIG. 3 is a back view thereof;
FIG. 4 is a left side view thereof;
FIG. 5 is a right side view thereof;
FIG. 6 is a top view thereof; and,
FIG. 7 is a bottom view thereof.

(56) **References Cited**

U.S. PATENT DOCUMENTS

- D368,169 S * 3/1996 Coker D6/326
- 5,655,270 A * 8/1997 Boisvert 24/336

1 Claim, 4 Drawing Sheets



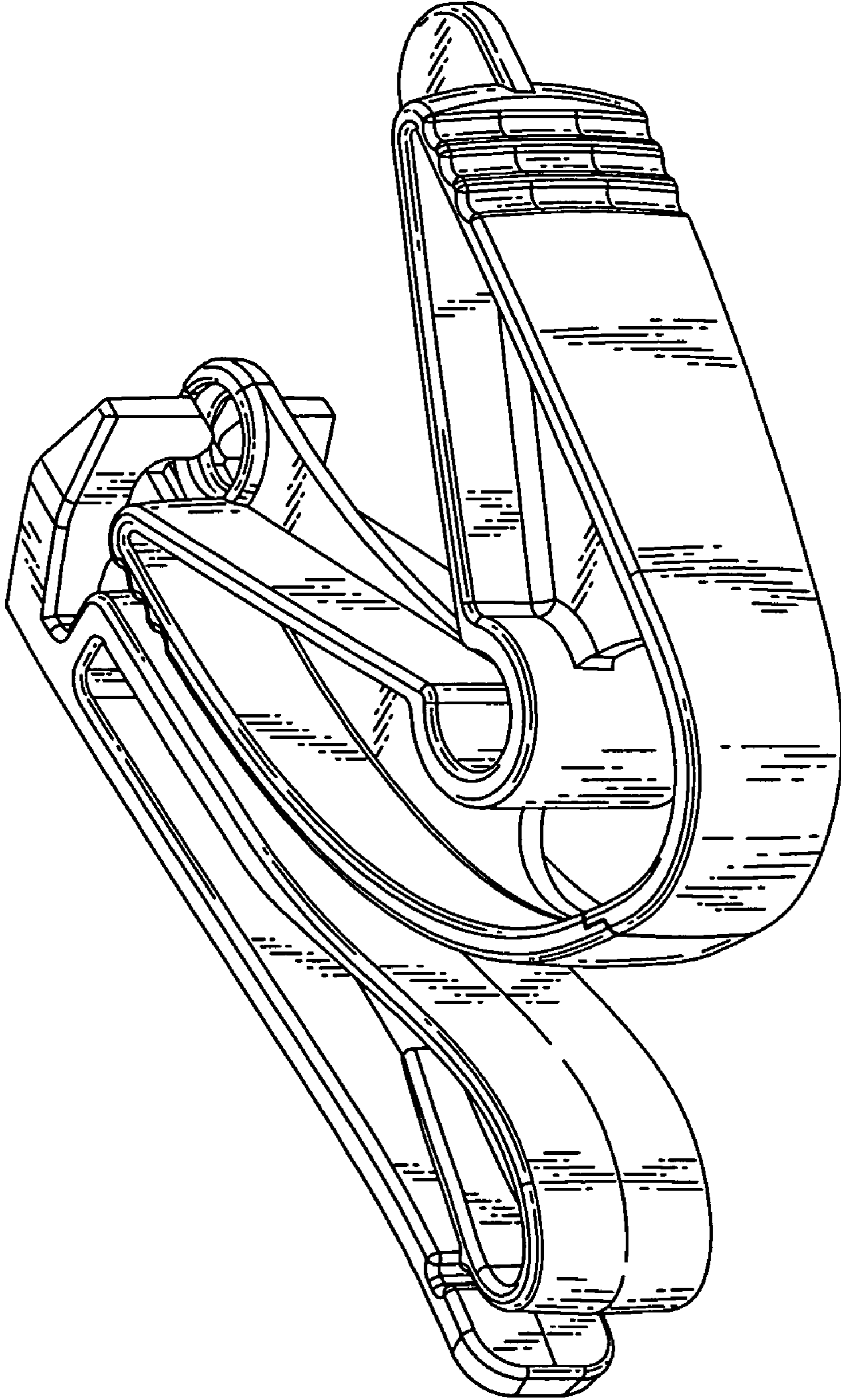


FIG. 1

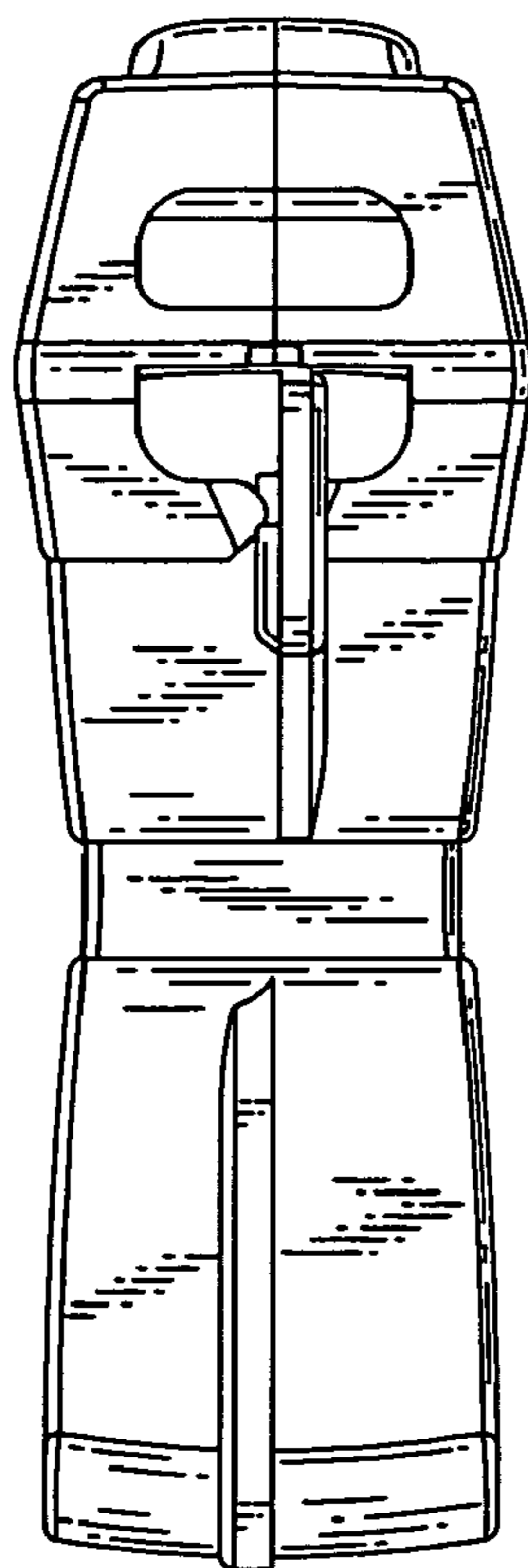


FIG. 3

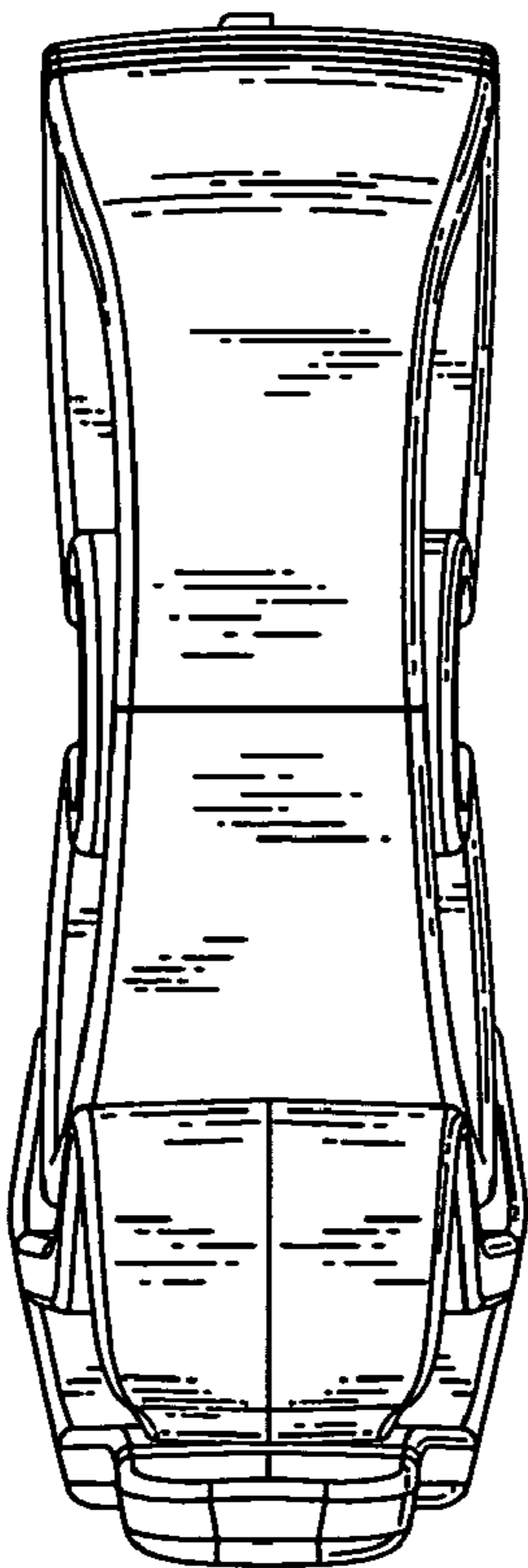


FIG. 2

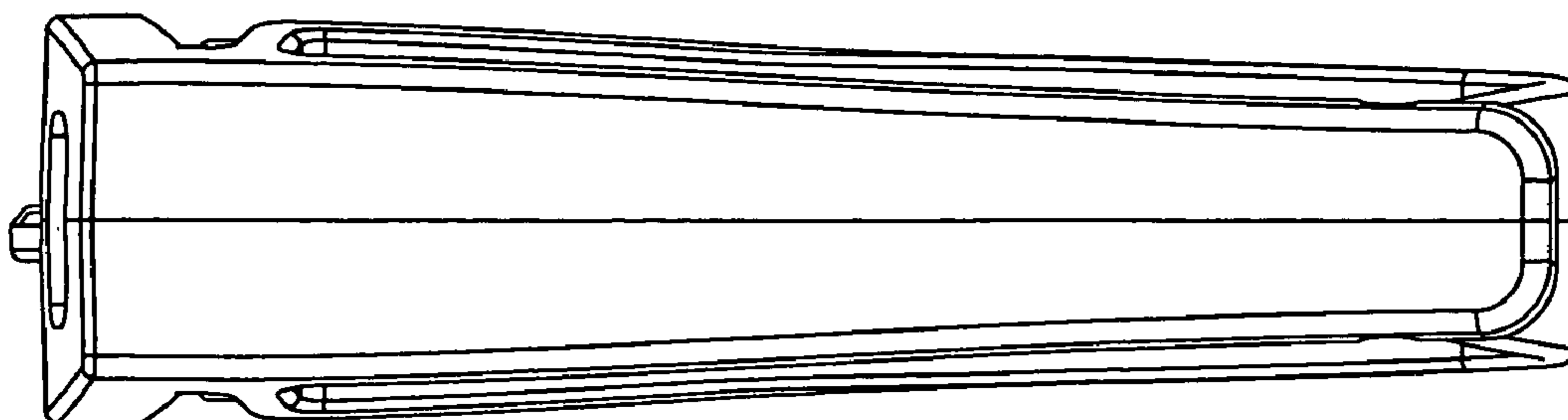


FIG. 4

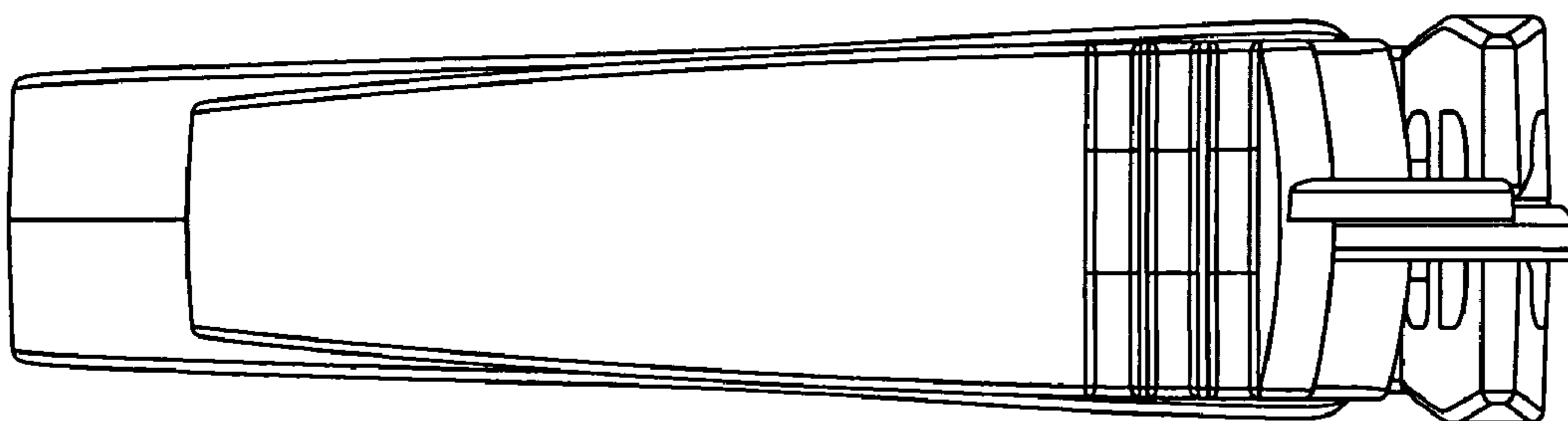


FIG. 5

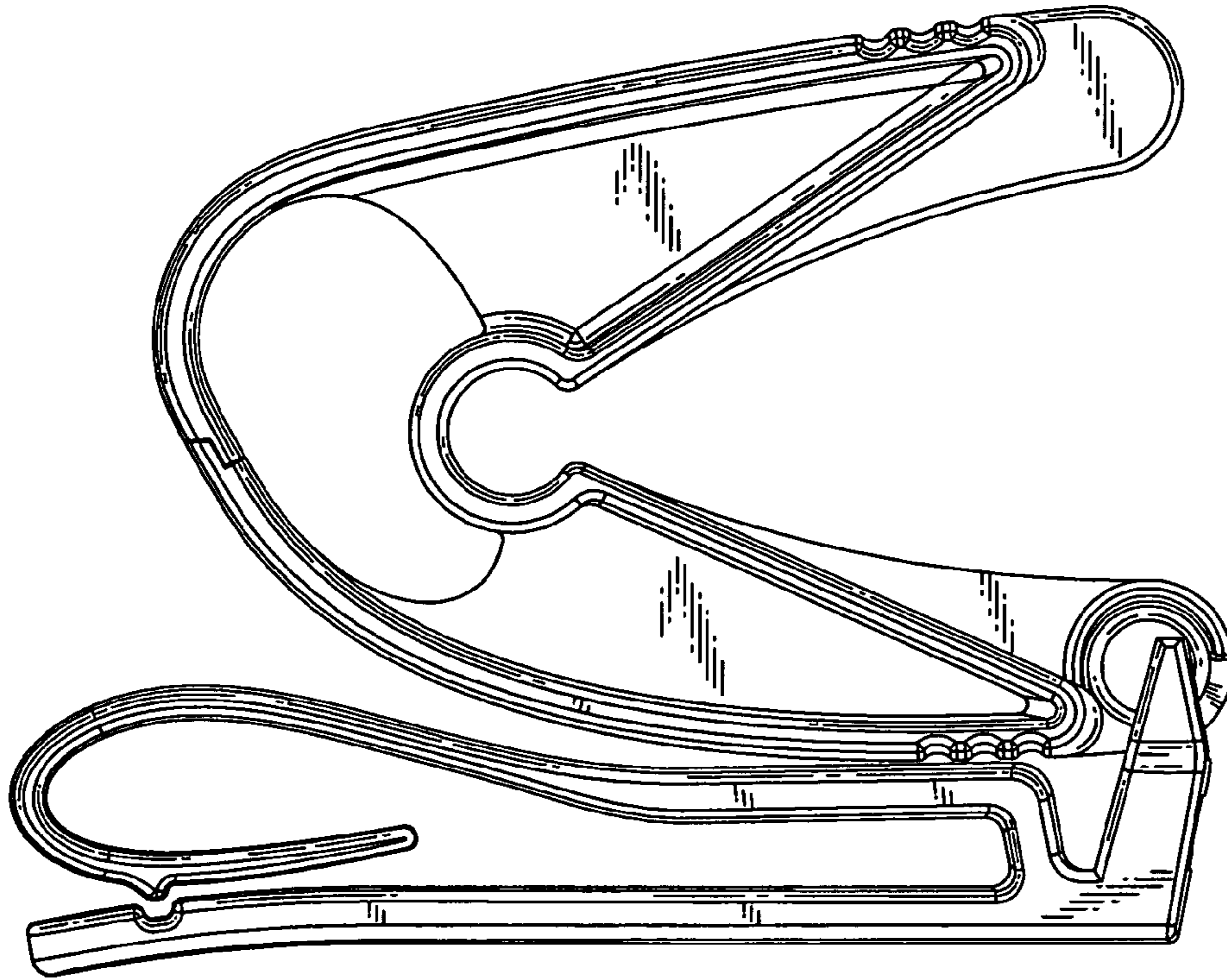


FIG. 7

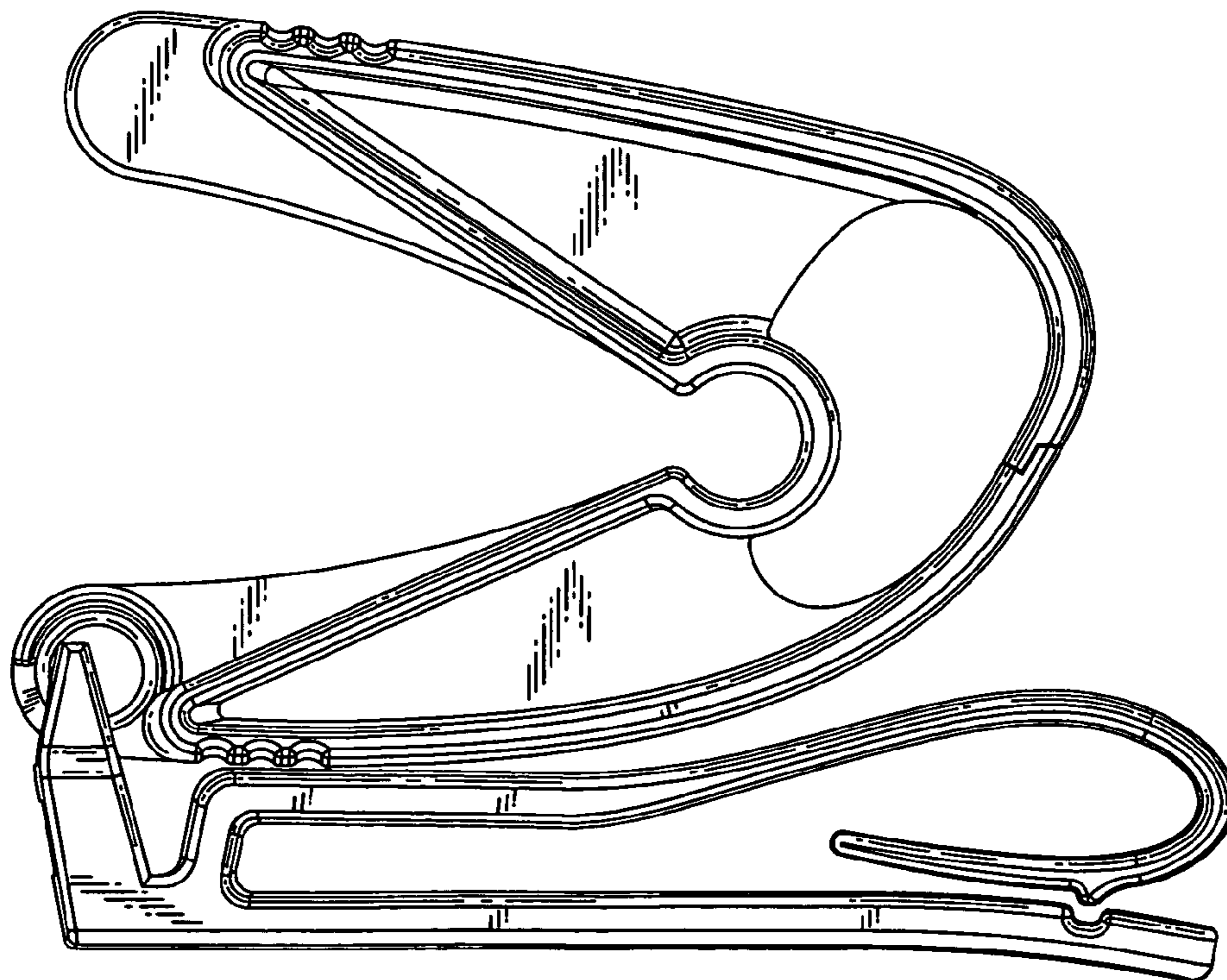


FIG. 6