



US00D585623S

(12) **United States Design Patent**  
**Quinlan, Jr. et al.**

(10) **Patent No.:** **US D585,623 S**  
(45) **Date of Patent:** **\*\* Jan. 27, 2009**

(54) **MATERIALS HANDLING VEHICLE**

D537,226 S \* 2/2007 Niebuhr ..... D34/34

(75) Inventors: **Roger J. Quinlan, Jr.**, Troy, OH (US);  
**Craig J. Rekow**, Troy, OH (US); **Adam M. Ruppert**, Wapakoneta, OH (US);  
**Thornton K. Lothrop**, Worthington, OH (US); **Ryan R. Berger**, Columbus, OH (US);  
**Michael P. Gallagher**, Greenville, OH (US)

**OTHER PUBLICATIONS**  
Crown Specifications RC 3000 Series Stand-up Rider Lift Truck; Jan. 2004; SF12386; Crown Equipment Corporation; New Bremen Ohio.

\* cited by examiner

*Primary Examiner*—Cynthia E. Ramirez  
(74) *Attorney, Agent, or Firm*—Stevens & Showalter LLP

(73) Assignee: **Crown Equipment Corporation**, New Bremen, OH (US)

(57) **CLAIM**

The ornamental design for a materials handling vehicle, as shown and described.

(\*\*) Term: **14 Years**

**DESCRIPTION**

(21) Appl. No.: **29/264,168**

FIG. 1 is a perspective view of a materials handling vehicle taken from the left rear of the vehicle, the forks defining the front of the vehicle;

(22) Filed: **Aug. 4, 2006**

(51) **LOC (9) Cl.** ..... **12-05**

FIG. 2 is a perspective view of the materials handling vehicle taken from the left front thereof;

(52) **U.S. Cl.** ..... **D34/34**

FIG. 3 is an elevational front view thereof;

(58) **Field of Classification Search** ..... D34/34;  
280/402; 180/89.12; 414/679, 81.4, 294,  
414/680

FIG. 4 is an elevational back front view thereof;

See application file for complete search history.

FIG. 5 is an elevational right side view thereof;

(56) **References Cited**

**U.S. PATENT DOCUMENTS**

- D222,694 S \* 12/1971 Goodacre ..... D34/34
- D313,100 S \* 12/1990 Soederberg ..... D34/28
- D379,020 S \* 4/1997 Avitan ..... D34/34
- D407,176 S 3/1999 Henshaw et al.
- D407,177 S 3/1999 Henshaw et al.
- 6,137,398 A 10/2000 Dunlap et al.
- 6,182,778 B1 2/2001 Henshaw et al.
- 6,182,797 B1 2/2001 Tebbe et al.
- 6,236,927 B1 5/2001 Sherman
- D480,858 S \* 10/2003 Sellar ..... D34/34

FIG. 6 is an elevational left side view thereof;

FIG. 7 is a top view thereof;

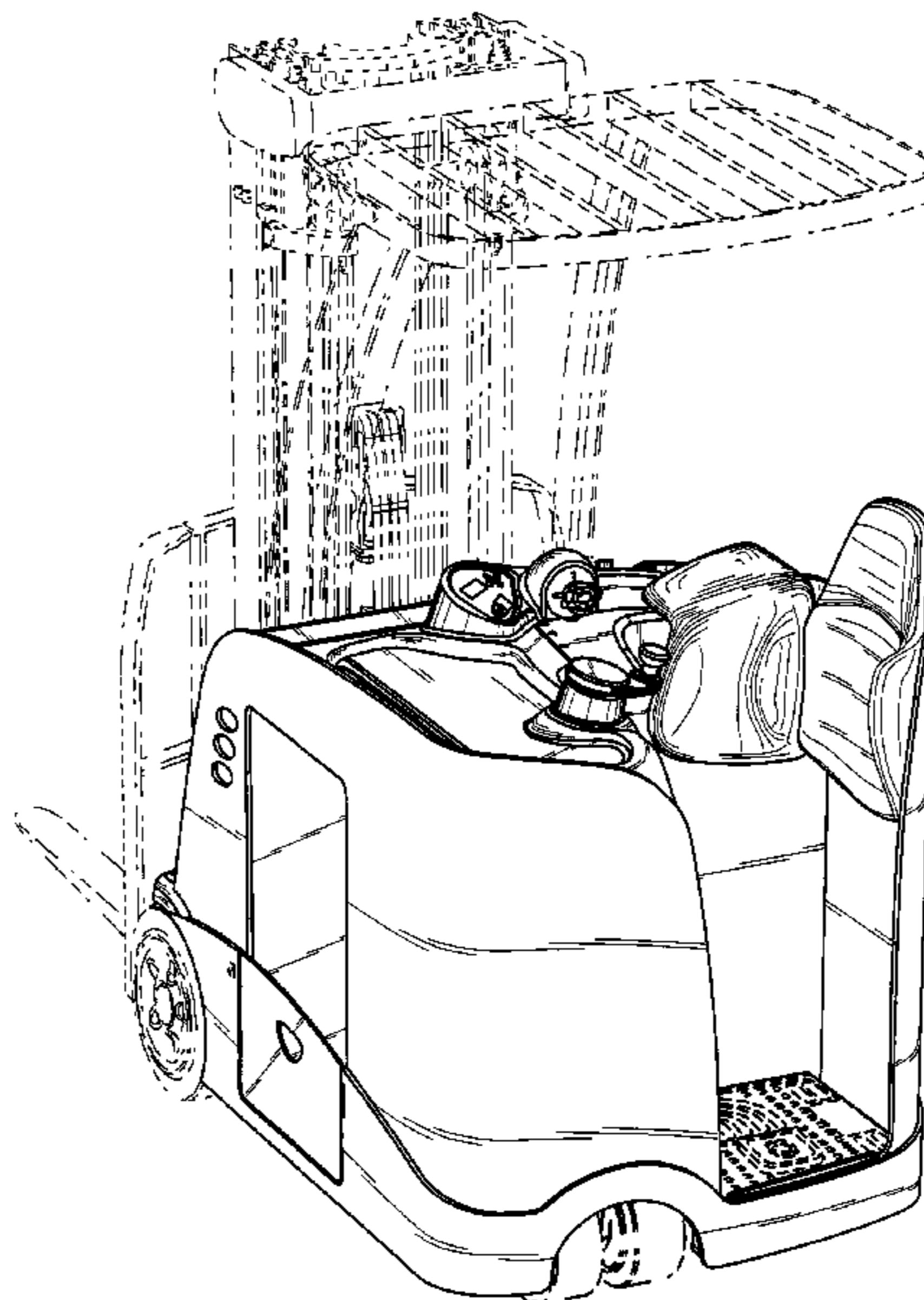
FIG. 8 is a perspective view thereof taken from the left front and showing only claimed subject matter;

FIG. 9 is an elevational front view thereof showing only claimed subject matter; and,

FIG. 10 is a top view thereof showing only claimed subject matter.

The structure shown in broken lines in the figures is included for the purpose of illustrating environment and forms no part of the claimed design.

**1 Claim, 10 Drawing Sheets**



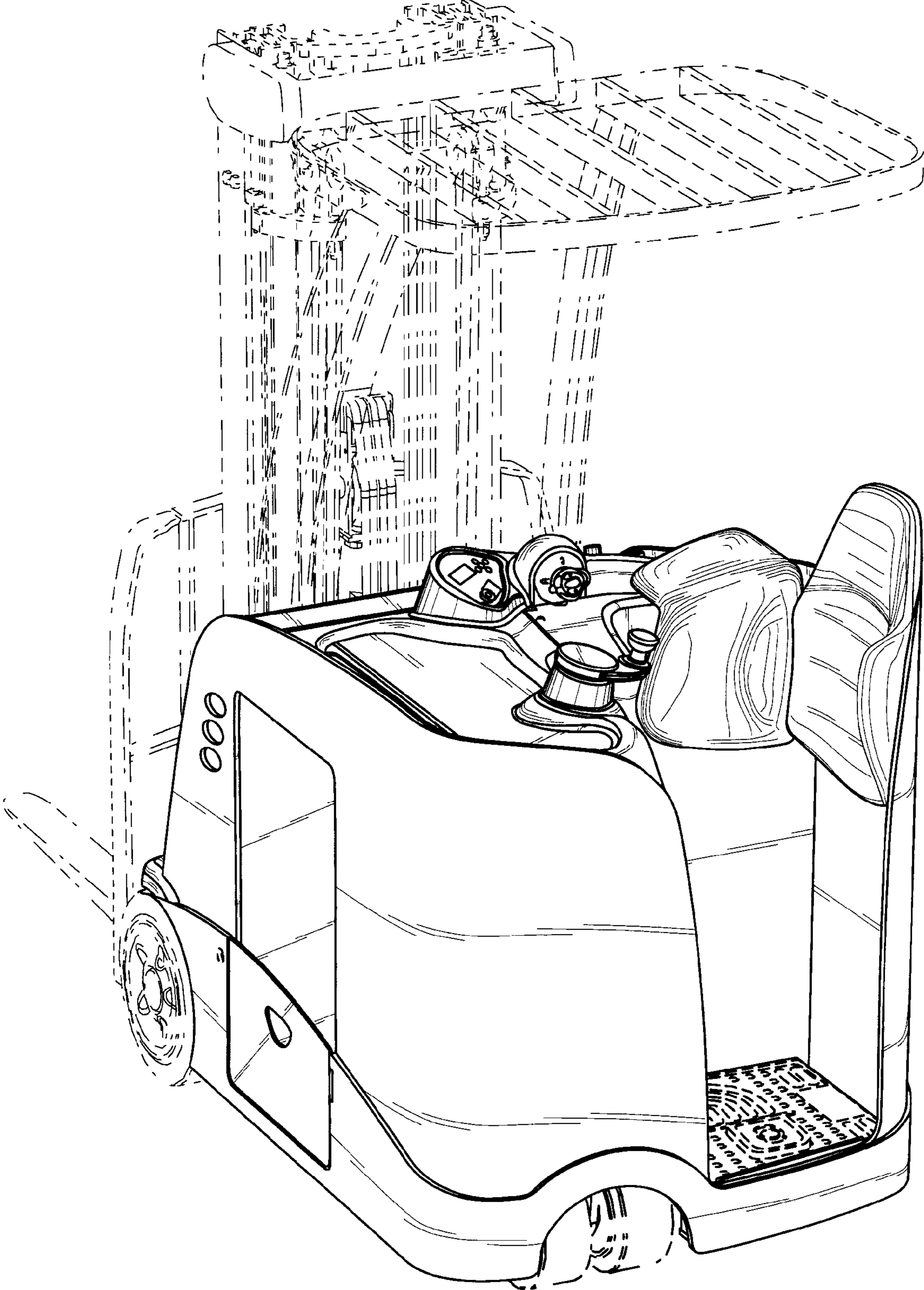


FIG. 1



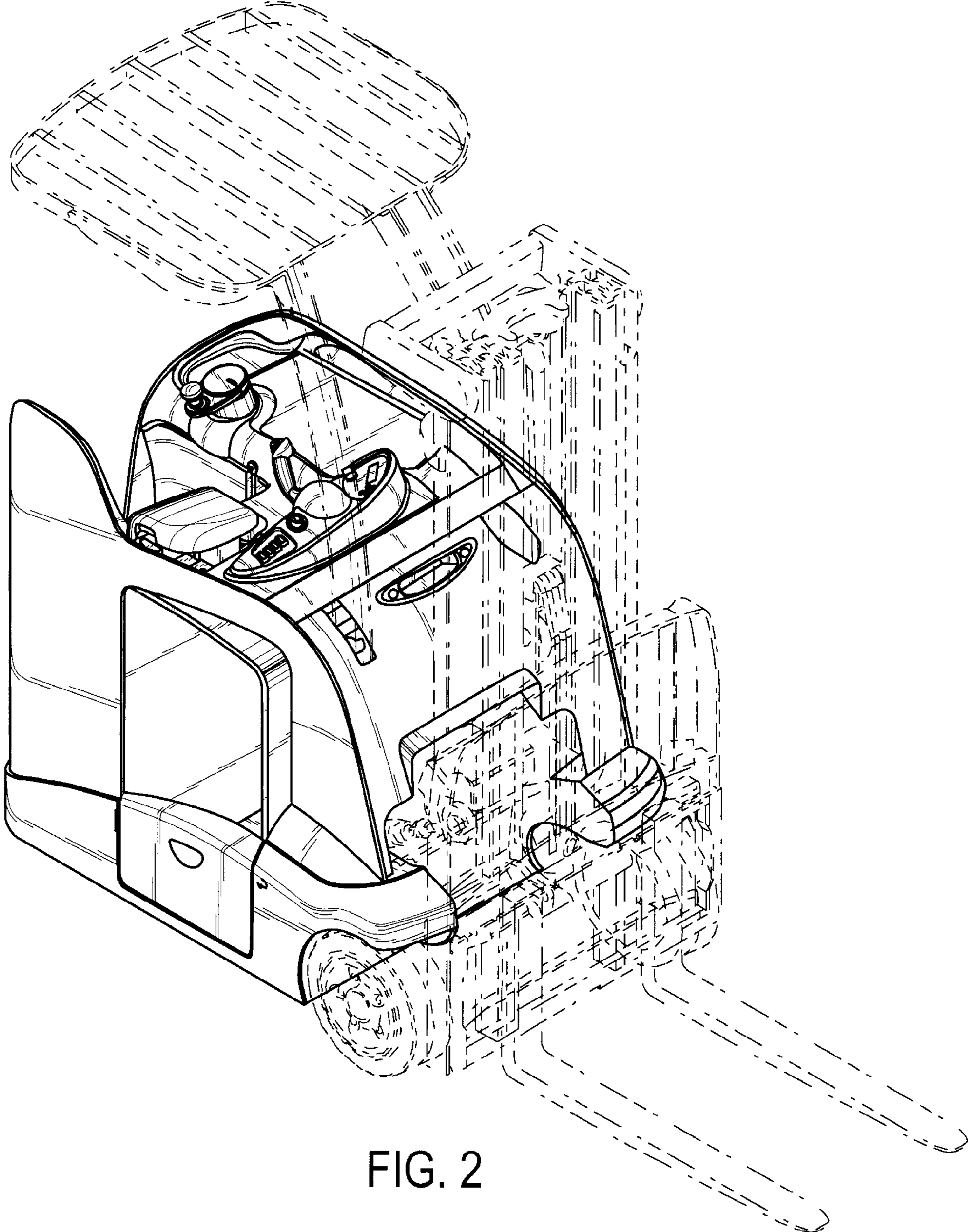


FIG. 2

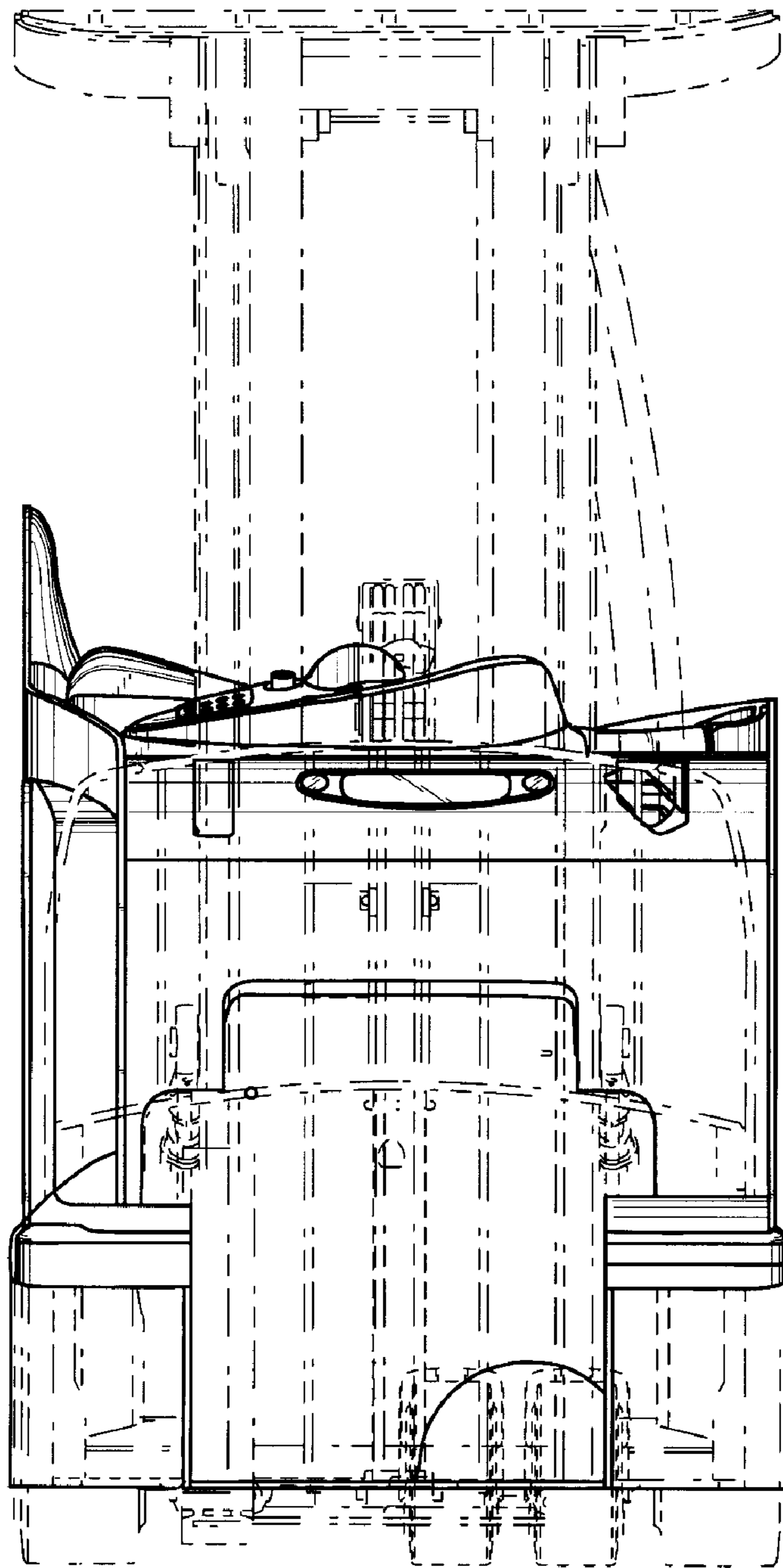


FIG. 3

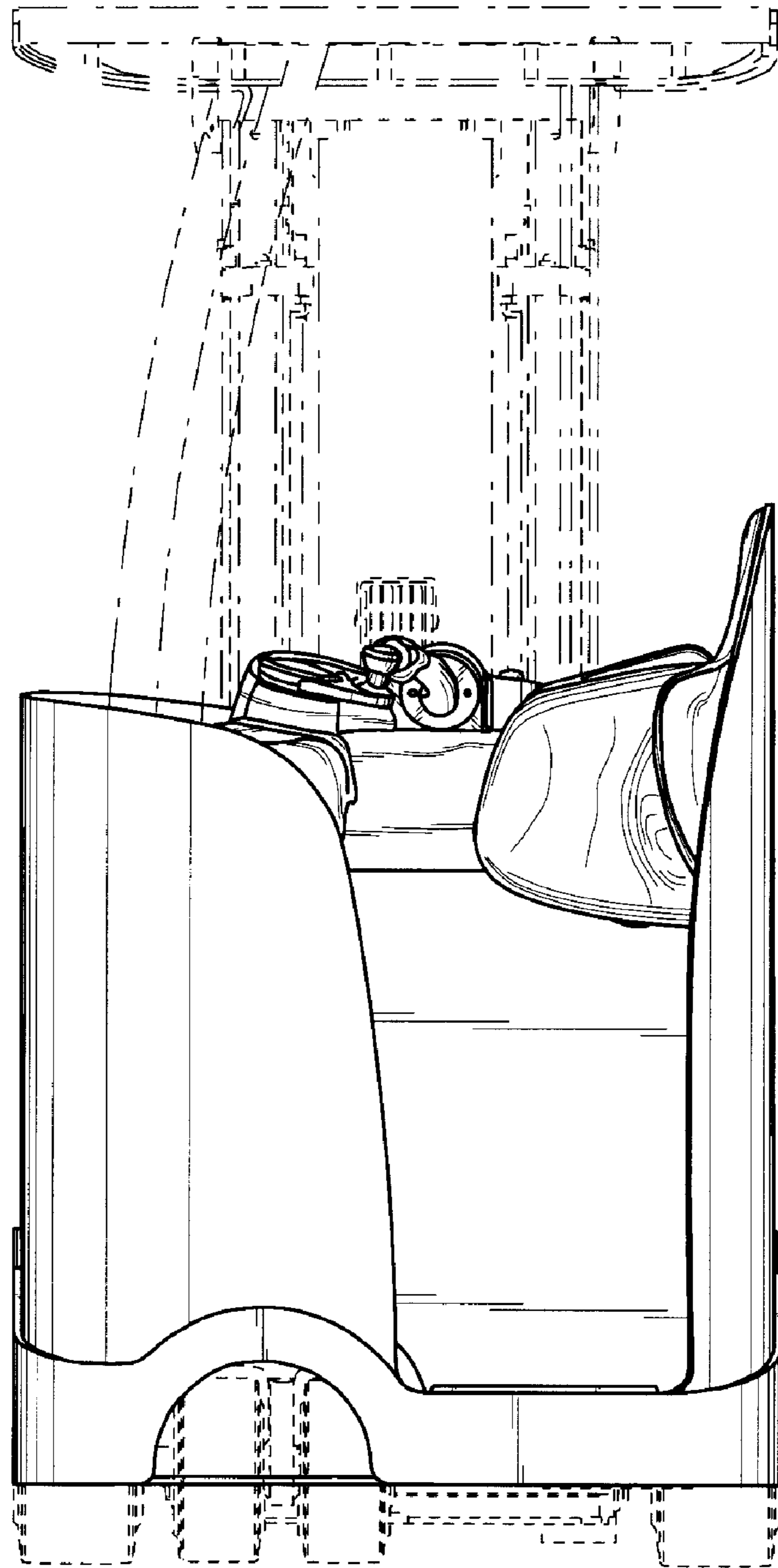


FIG. 4

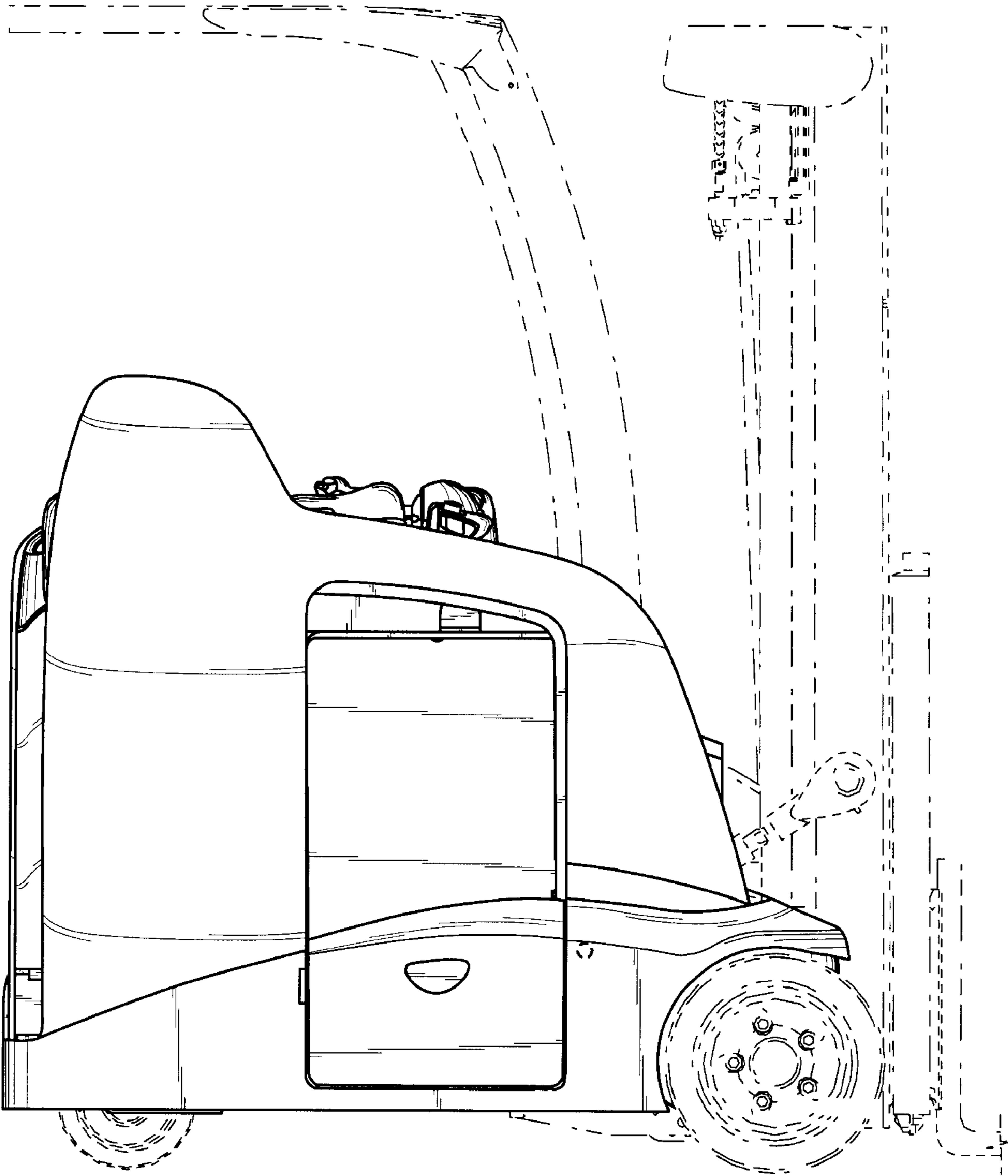


FIG. 5

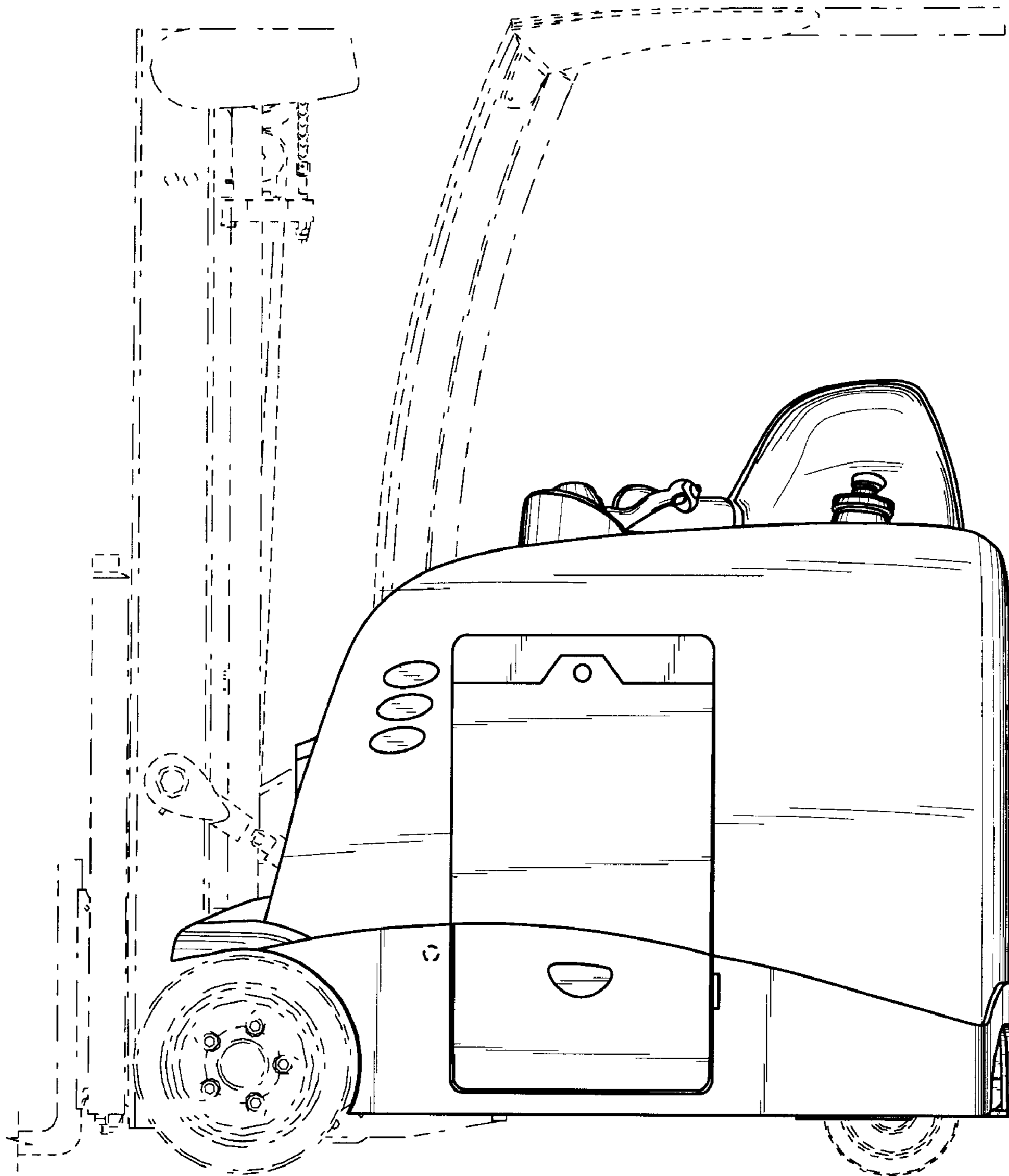


FIG. 6



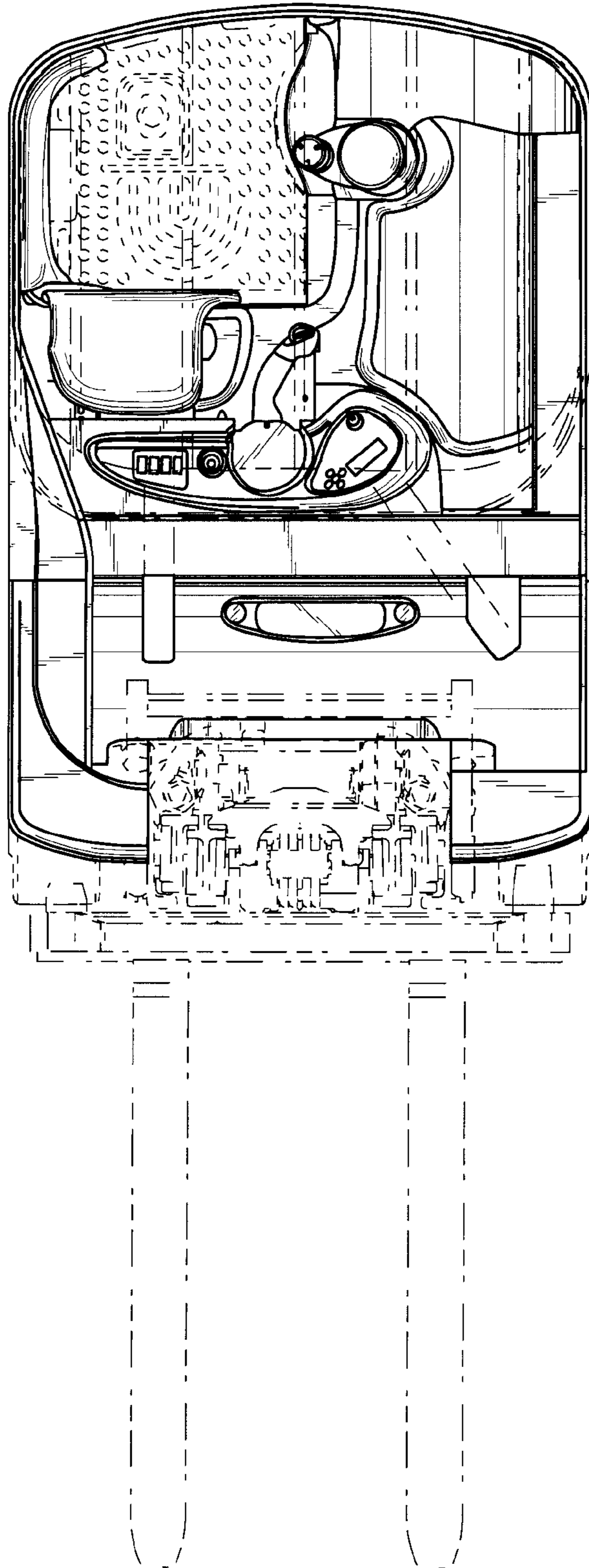


FIG. 7



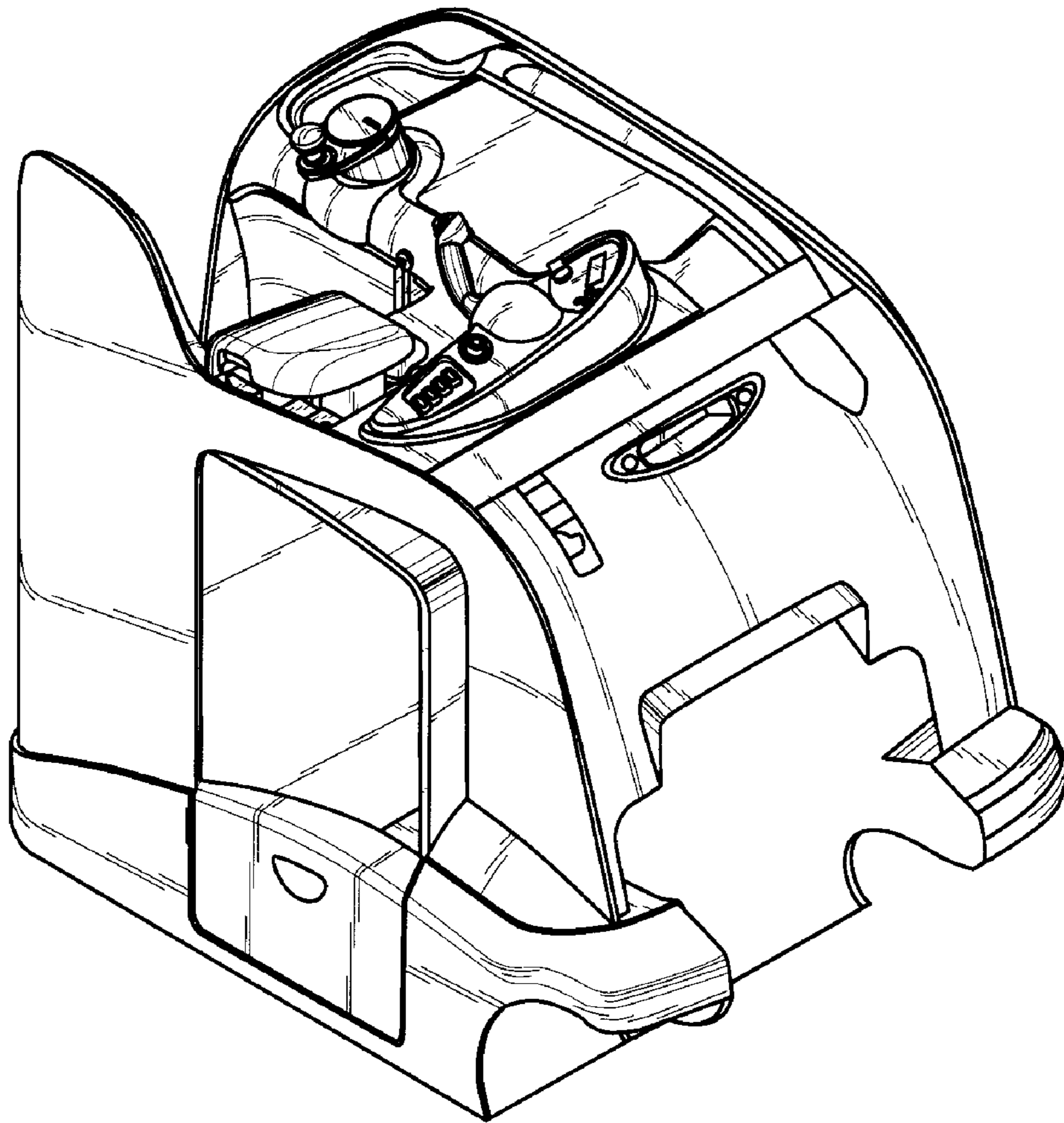


FIG. 8

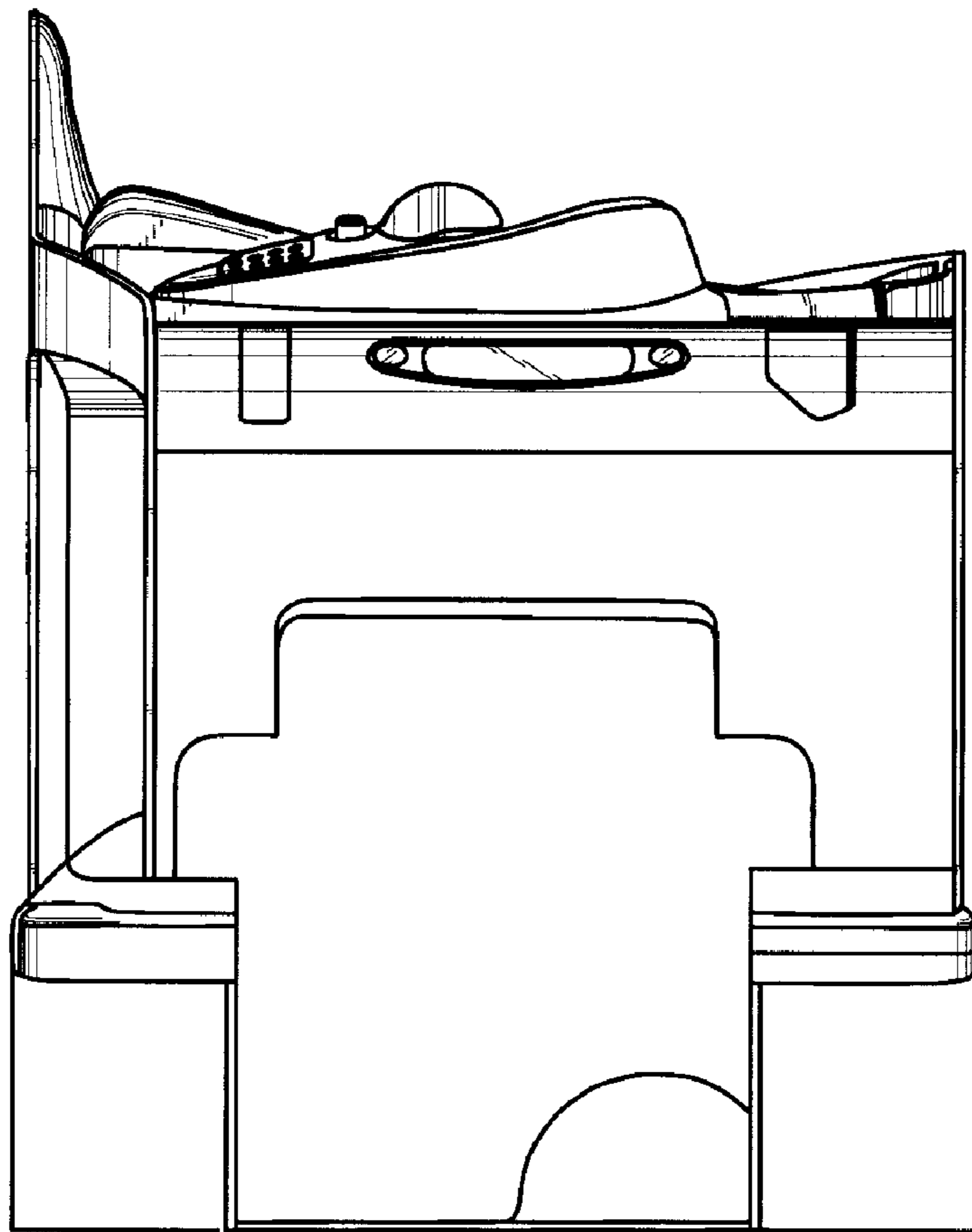


FIG. 9

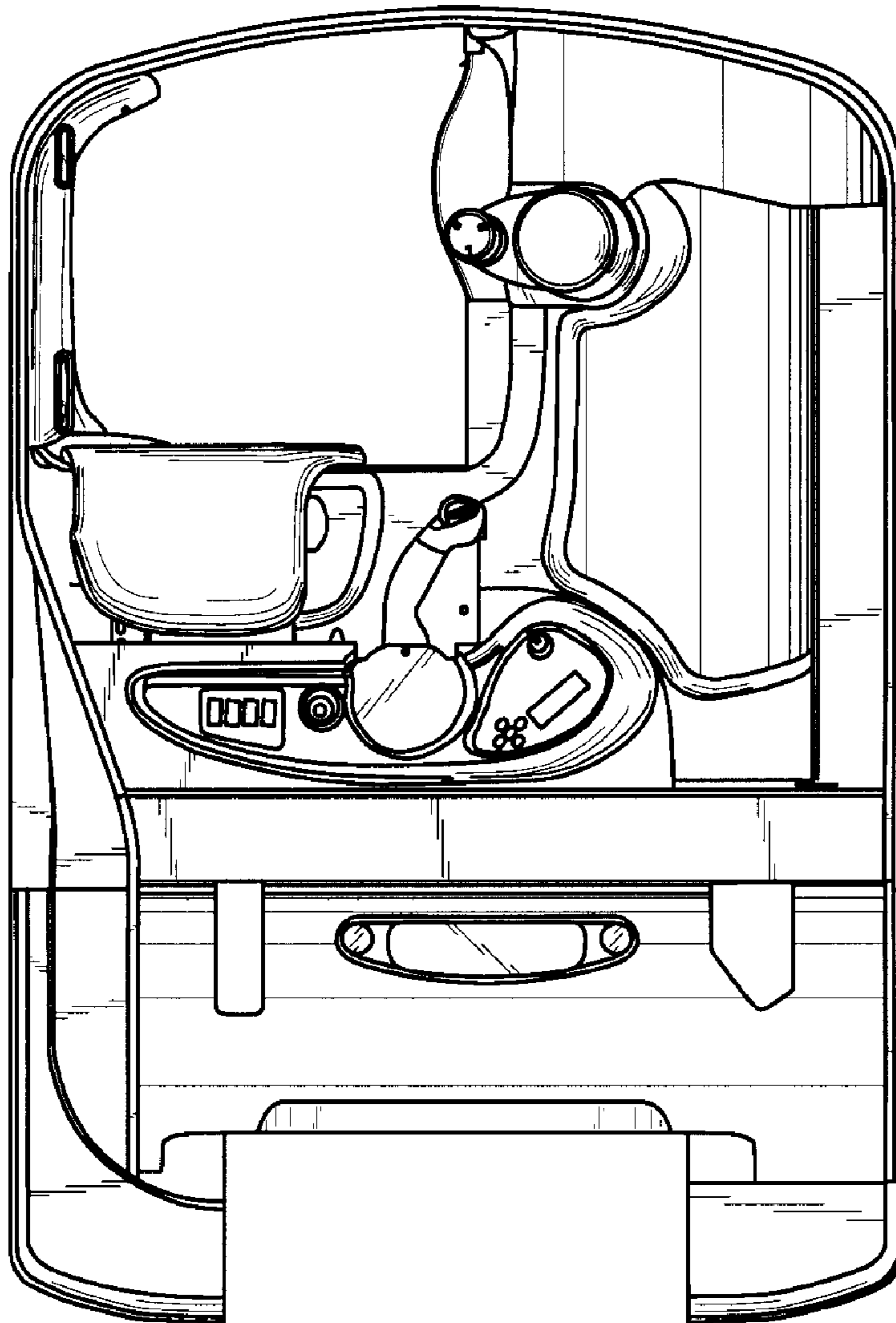


FIG. 10