



US00D585622S

(12) **United States Design Patent**  
**Allsop et al.**

(10) **Patent No.:** **US D585,622 S**  
(45) **Date of Patent:** **\*\* Jan. 27, 2009**

(54) **BOX UNLOADER**

(75) Inventors: **Robert J. Allsop**, Amherst, OH (US);  
**William M. Bernstein**, Pittsburgh, PA  
(US); **John J. Binder**, Lorain, OH (US);  
**Tim Cunningham**, Pittsburgh, PA (US);  
**Drew T. Degentesh**, Glenshow, PA (US);  
**Dale R. Juhn**, North Olmsted, OH (US);  
**Ryan C. Kaintz**, Allison Park, PA (US);  
**Brian D. Mather**, North Olmsted, OH  
(US); **Jeffrey A. Perkins**, Amherst, OH  
(US); **Joseph G. Schroeder**, North  
Royalton, OH (US); **Joshua T. Space**,  
Pittsburgh, PA (US); **Christopher M.**  
**Stygar**, Pittsburgh, PA (US); **Dawn S.**  
**Yorko**, Amherst, OH (US)

(73) Assignee: **Nordson Corporation**, Westlake, OH  
(US)

(\*\*) Term: **14 Years**

(21) Appl. No.: **29/302,647**

(22) Filed: **Jan. 22, 2008**

(51) **LOC (9) Cl.** ..... **12-02**

(52) **U.S. Cl.** ..... **D34/24**

(58) **Field of Classification Search** ..... D34/12-27;  
280/47.18, 47.2, 47.27, 47.21, 654; 190/9.22,  
190/9.3

See application file for complete search history.

(56) **References Cited**

**U.S. PATENT DOCUMENTS**

2,693,968	A *	11/1954	Bateman et al.	.....	280/651
D179,126	S *	11/1956	Eging	.....	D34/15
D213,045	S *	12/1968	Saunders	.....	D34/15
D273,522	S *	4/1984	Zastera	.....	D34/17
D282,691	S *	2/1986	Latino	.....	D34/21
4,802,681	A *	2/1989	Hung	.....	280/47.18
4,869,526	A *	9/1989	Blake	.....	280/645
4,917,401	A *	4/1990	Iwaki	.....	280/655

D345,842	S *	4/1994	Sloan et al.	.....	D34/26
5,474,313	A *	12/1995	Marquardt	.....	280/47.28
5,626,352	A *	5/1997	Grace	.....	280/47.29
5,799,958	A *	9/1998	Bishop	.....	280/47.26
D404,876	S *	1/1999	Rubinos et al.	.....	D34/24
D441,935	S *	5/2001	Cook	.....	D34/24
D456,973	S *	5/2002	Kimpel	.....	D34/24
D524,505	S *	7/2006	Babkes	.....	D34/14

**OTHER PUBLICATIONS**

Sames, Mach-Jet, Innovation with no limit. . . , printout from website,  
dated 2004, [http://www.sames.com/machject/gb/machjet\\_cart.htm](http://www.sames.com/machject/gb/machjet_cart.htm).

\* cited by examiner

*Primary Examiner*—Cynthia E Ramirez  
(74) *Attorney, Agent, or Firm*—Calfee, Halter & Griswold  
LLP

(57) **CLAIM**

The ornamental design for a box unloader, as shown and  
described.

**DESCRIPTION**

FIG. 1 is a perspective view of a first embodiment of a box  
unloader of the new design;

FIG. 2 is a front elevational view of the box unloader of FIG.  
1;

FIG. 3 is a rear elevational view of the box unloader of FIG.  
1;

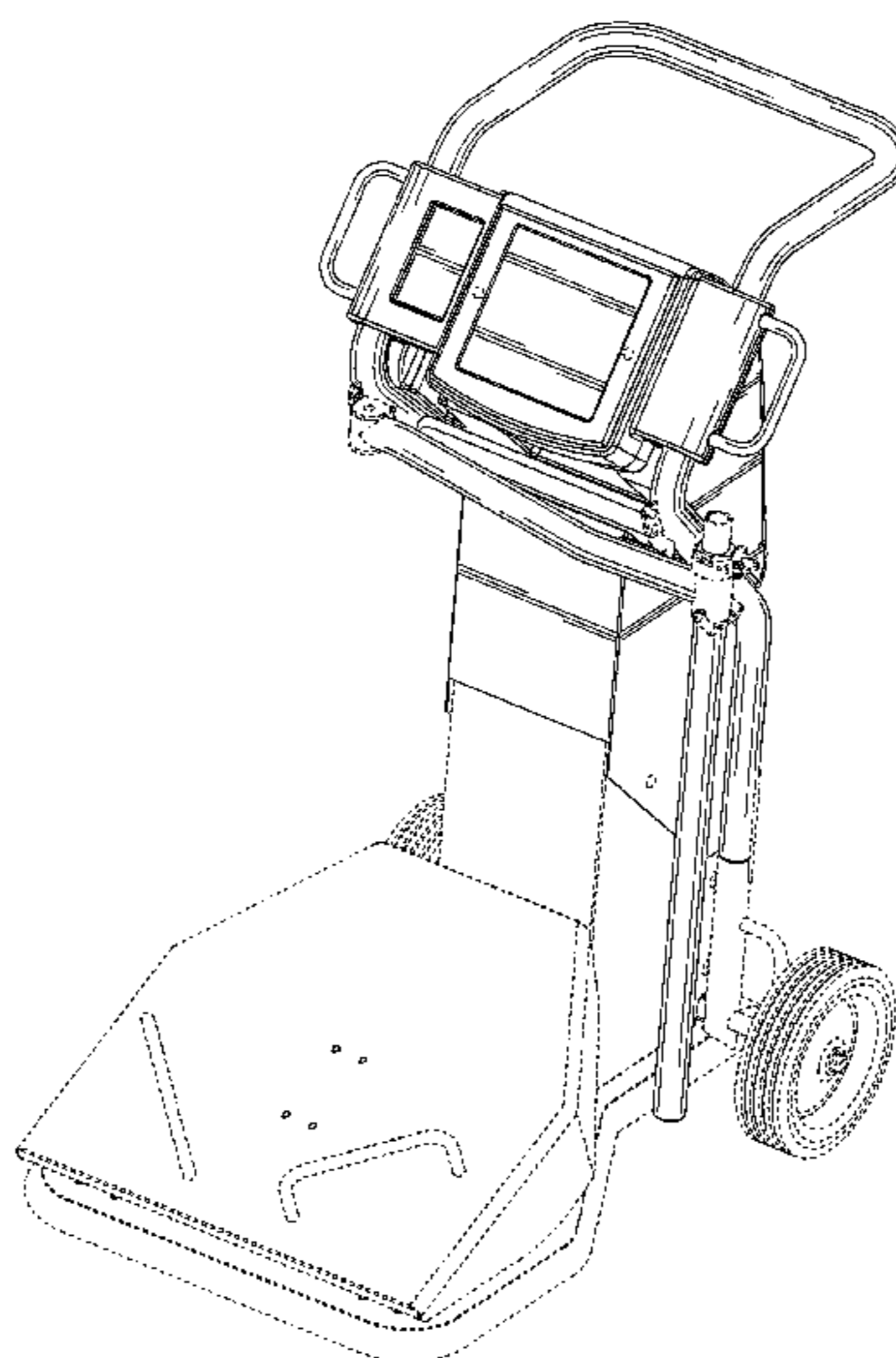
FIG. 4 is a left side elevational view of the box unloader of  
FIG. 1;

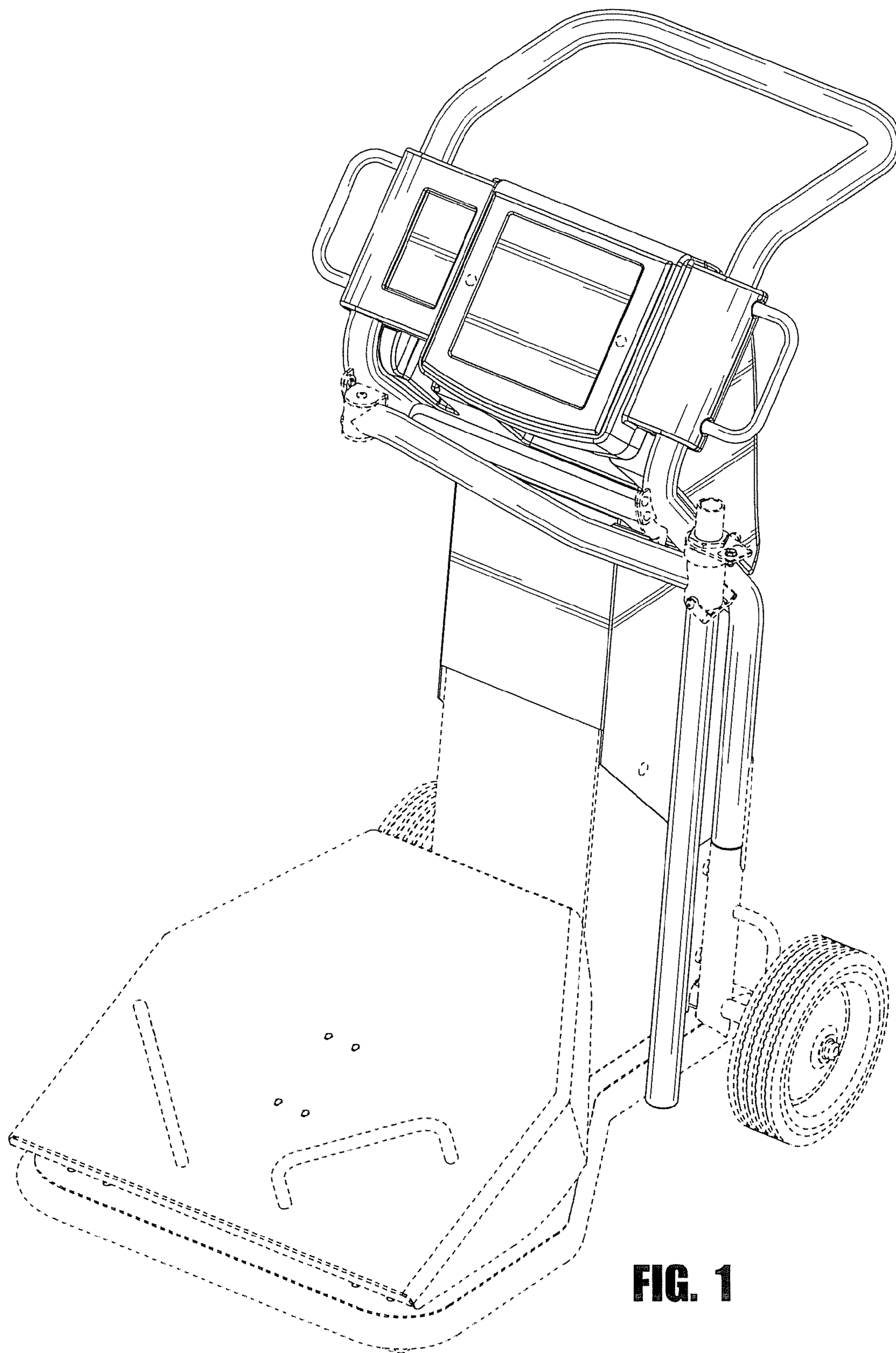
FIG. 5 is a right side elevational view of the box unloader of  
FIG. 1;

FIG. 6 is a top plan view of the box unloader of FIG. 1; and,  
FIG. 7 is a second perspective view of the box unloader of  
FIG. 1.

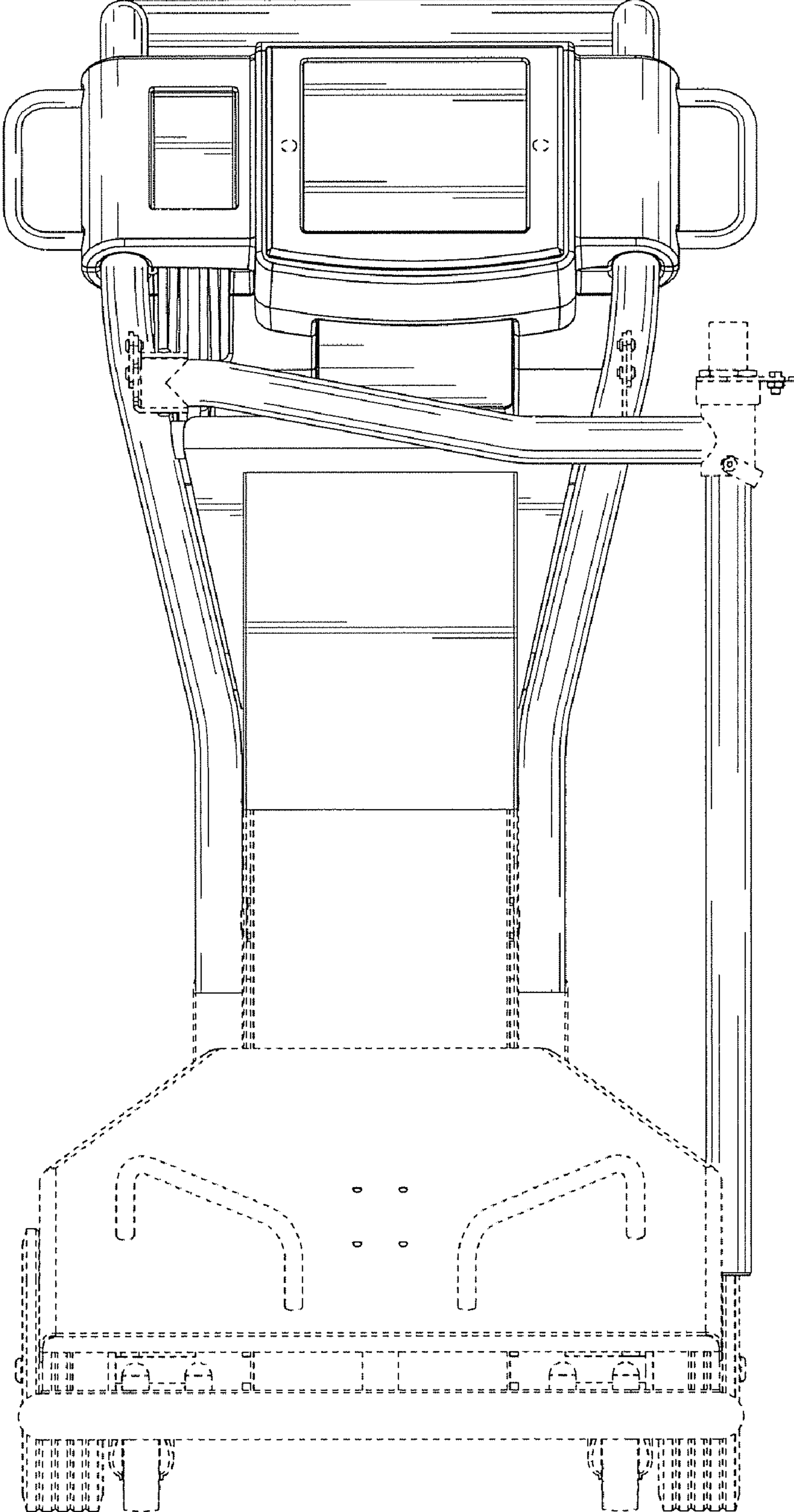
The portions of the Figures shown in broken lines are not part  
of the claimed design and are for illustration only.

**1 Claim, 7 Drawing Sheets**

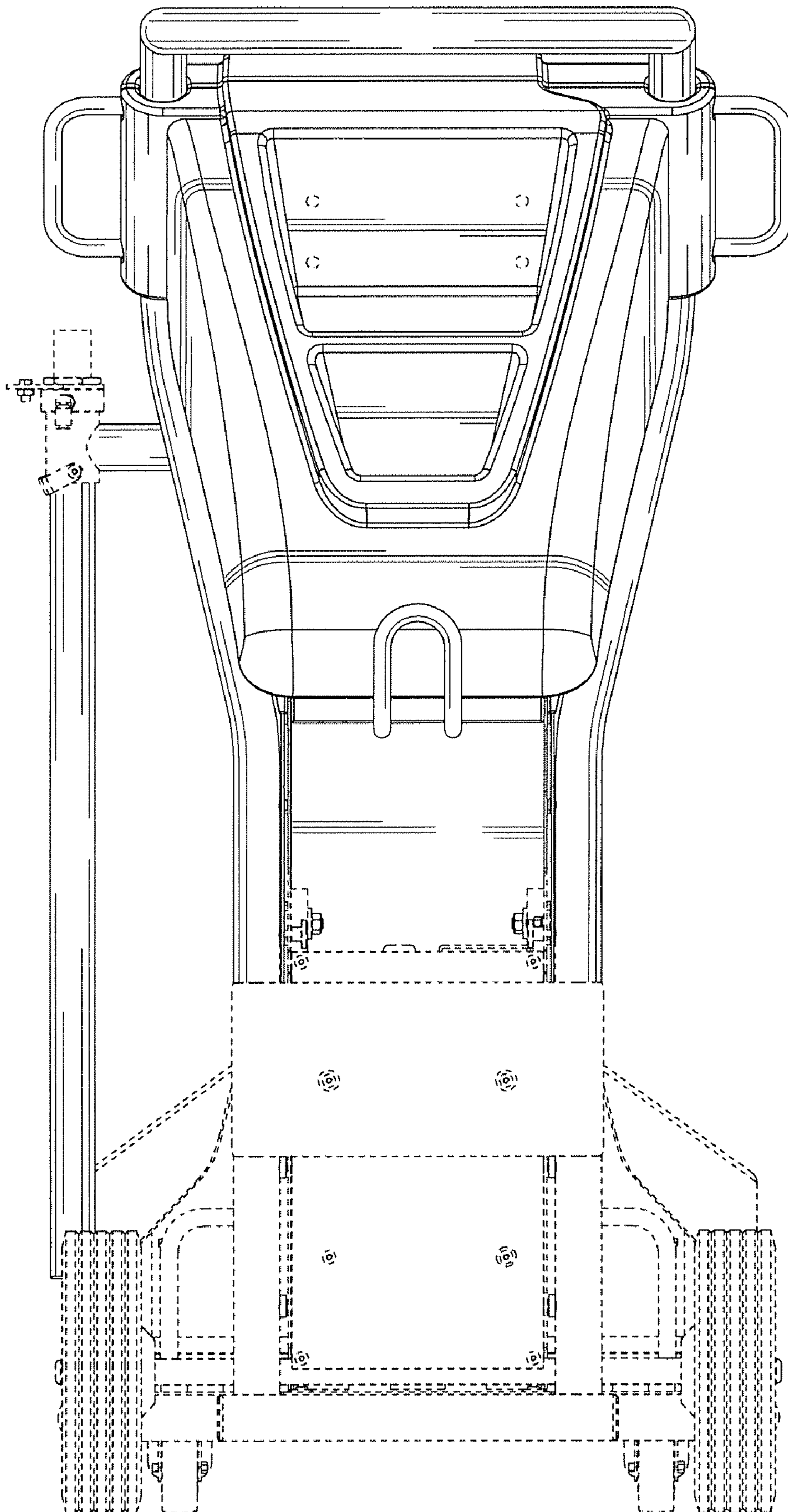




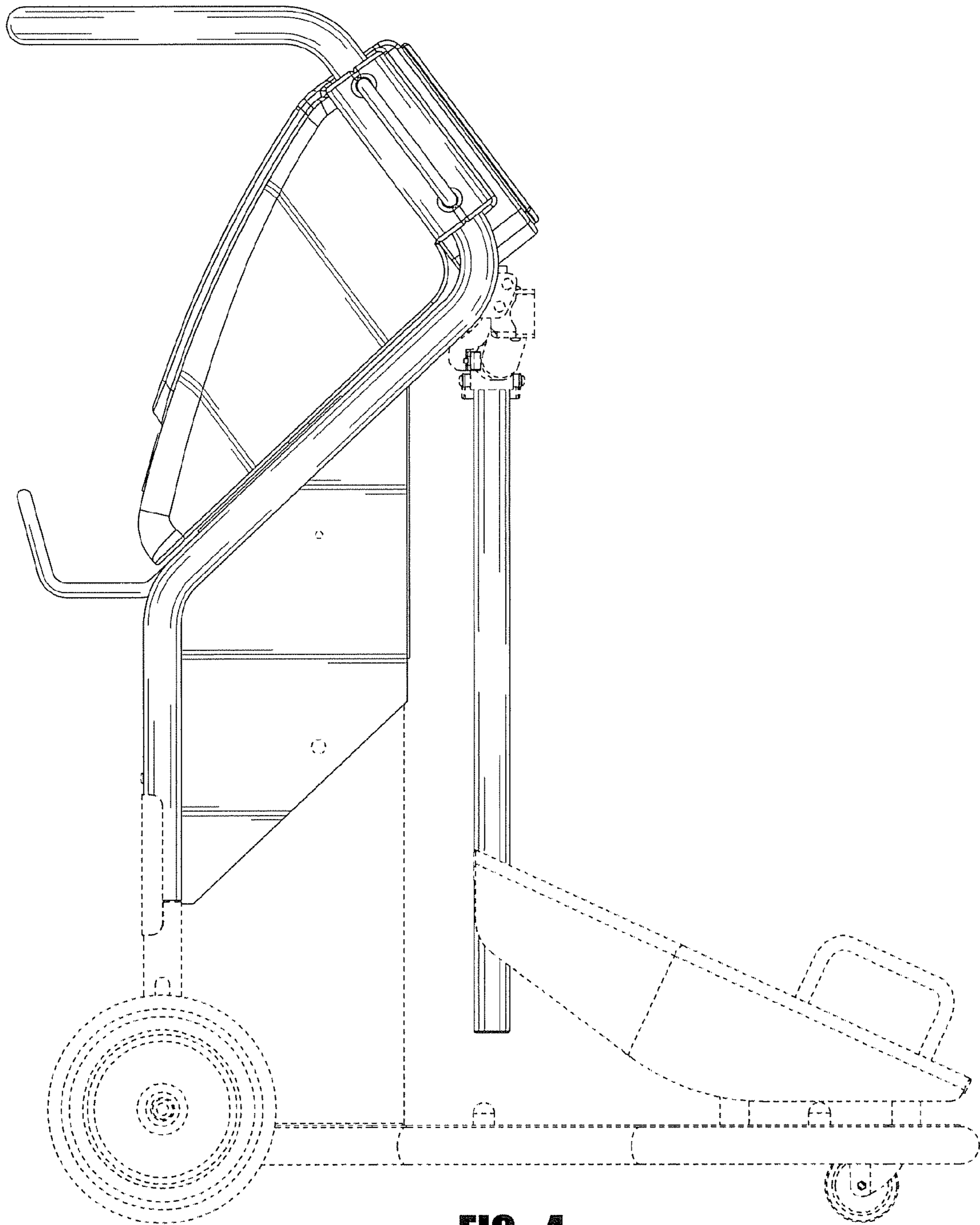
**FIG. 1**



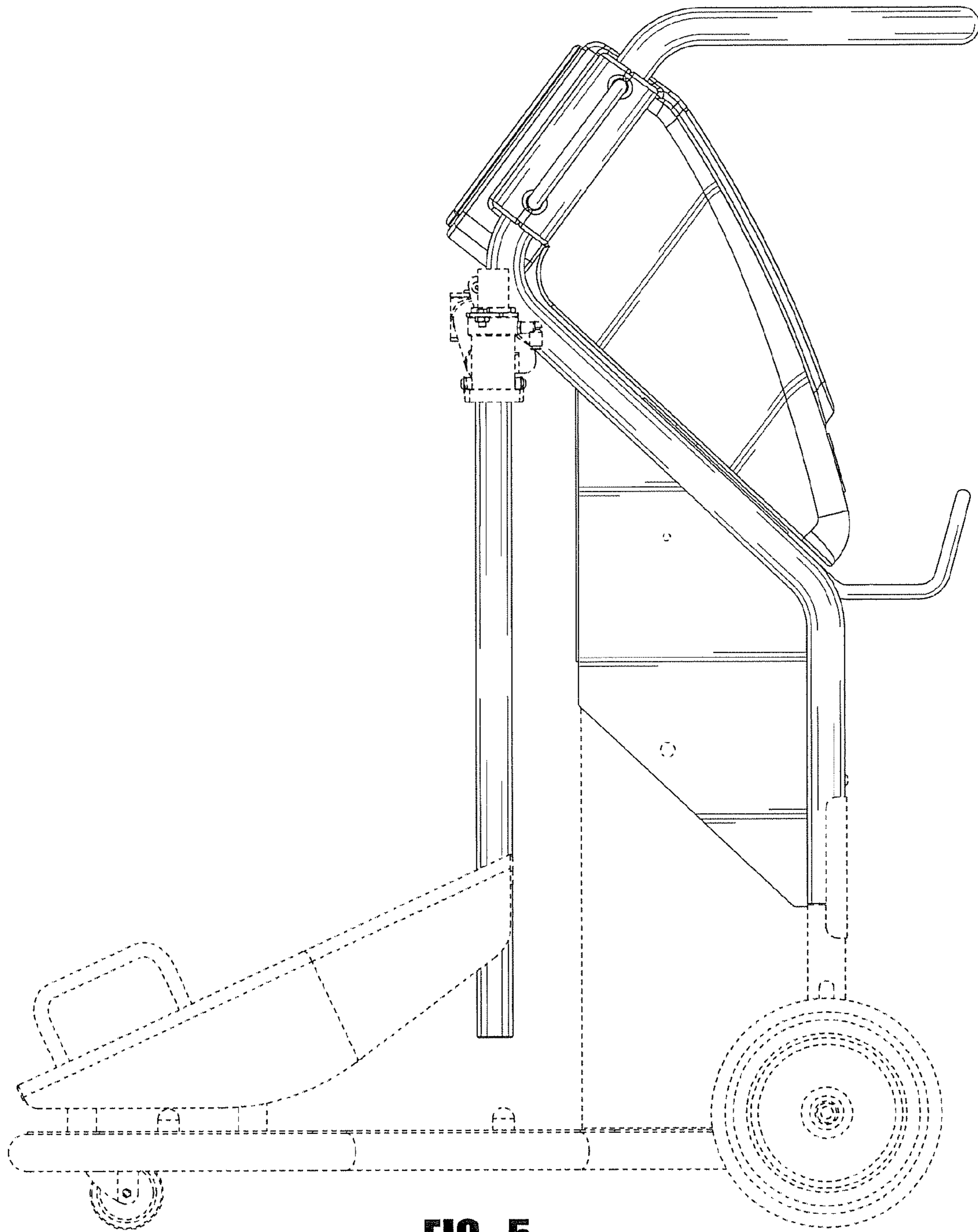
**FIG. 2**



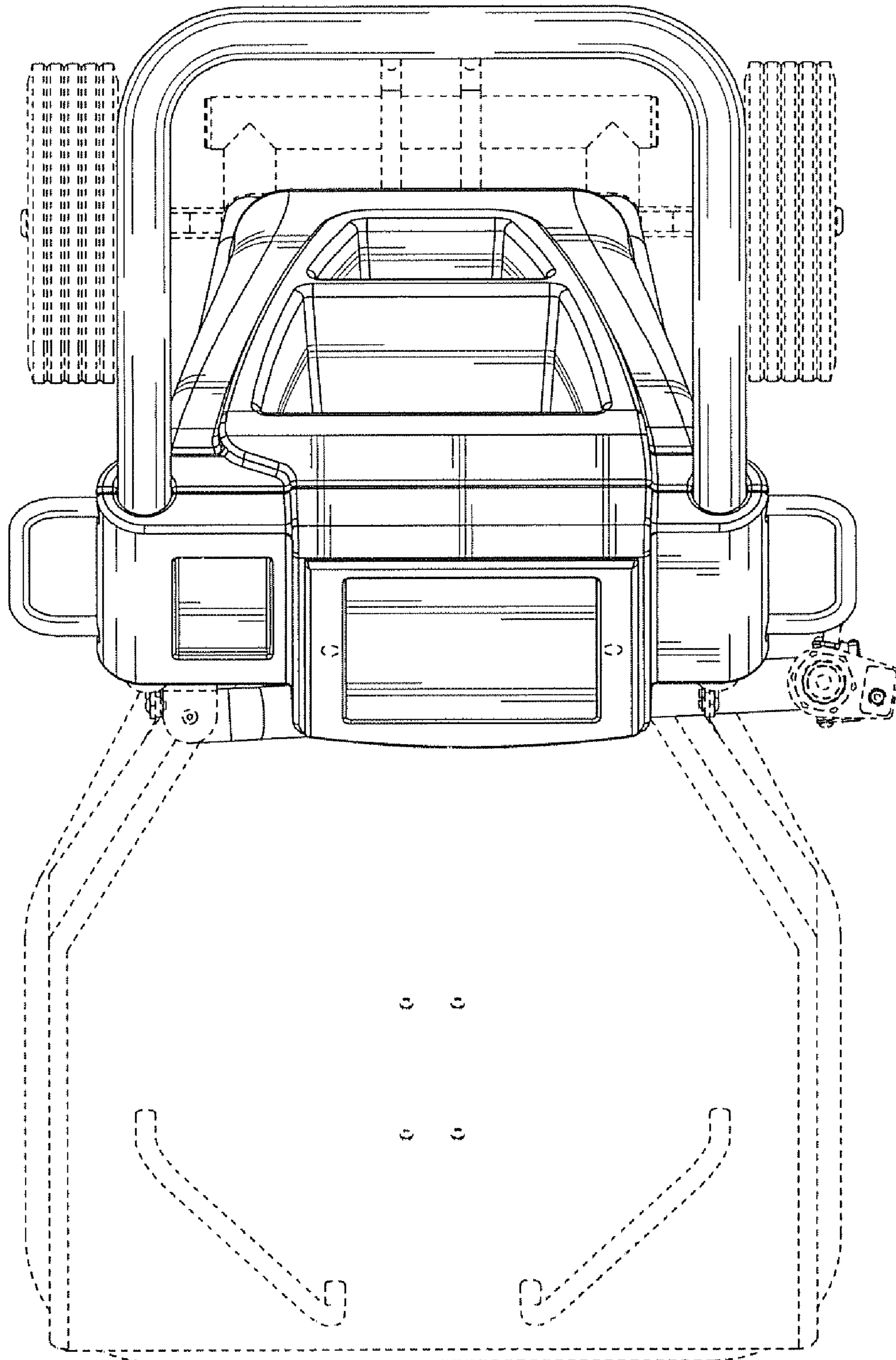
**FIG. 3**



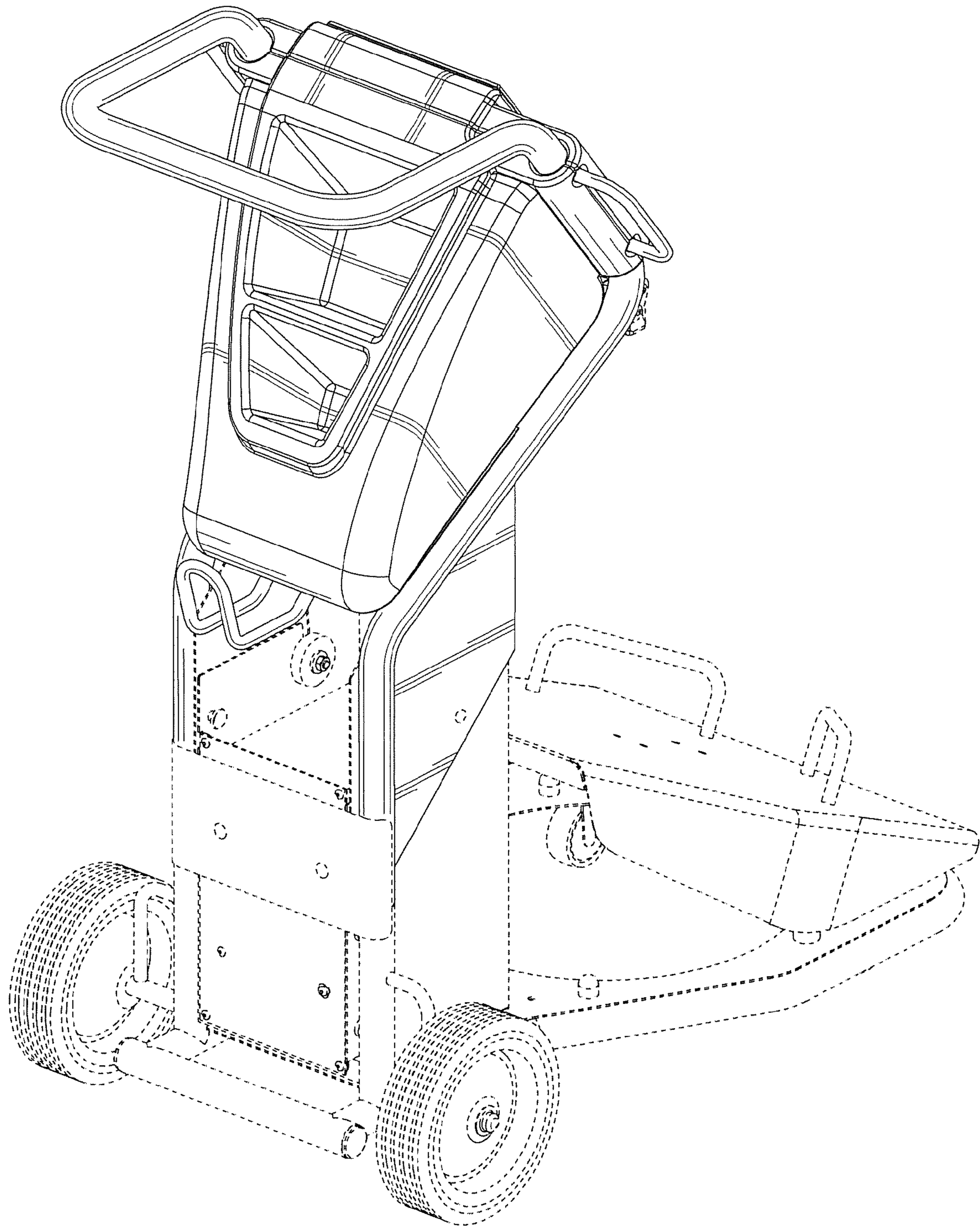
**FIG. 4**



**FIG. 5**



**FIG. 6**



**FIG. 7**