



US00D585618S

(12) **United States Design Patent**
Yang et al.

(10) **Patent No.:** **US D585,618 S**
(45) **Date of Patent:** **** Jan. 27, 2009**

- (54) **TRASH CAN**
- (75) Inventors: **Frank Yang**, Rancho Palos Verdes, CA (US); **Tzu-Hao Wei**, Hacienda Heights, CA (US); **William Shyh-Chen Hsu**, Diamond Bar, CA (US)
- (73) Assignee: **Simplehuman LLC**, Torrance, CA (US)
- (**) Term: **14 Years**
- (21) Appl. No.: **29/291,382**
- (22) Filed: **Aug. 27, 2007**
- (51) **LOC (9) Cl.** **09-09**
- (52) **U.S. Cl.** **D34/1**
- (58) **Field of Classification Search** D34/1-11;
220/908-913

- D191,546 S 10/1961 Garner
- 3,008,504 A 11/1961 Garner
- 3,023,922 A 3/1962 Arrington et al.
- 3,450,297 A 6/1969 Clerk
- D215,617 S 10/1969 Heck
- D229,473 S 12/1973 Henry
- D241,499 S 9/1976 Raftery
- D261,720 S 11/1981 Brazis
- 4,363,417 A 12/1982 Rhoades et al.
- 4,913,308 A 4/1990 Culbertson
- 4,923,087 A * 5/1990 Burrows 220/495.1
- 4,953,744 A 9/1990 Koyama
- 5,009,364 A * 4/1991 Bolte 229/123.2
- D319,905 S 9/1991 Hotchkiss
- D322,350 S 12/1991 Craft et al.
- D327,756 S 7/1992 Klein et al.
- D332,852 S 1/1993 Delmerico
- D333,897 S 3/1993 Ward

See application file for complete search history.

(Continued)

Primary Examiner—Cynthia E Ramirez
(74) *Attorney, Agent, or Firm*—Raymond Sun

(56) **References Cited**

U.S. PATENT DOCUMENTS

- 966,145 A 8/1910 Wilder
- 1,265,148 A 5/1918 Warren
- 1,379,677 A 5/1921 Brunhoff
- 1,461,253 A 7/1923 Owen
- 1,479,634 A 1/1924 Toscan
- 1,703,509 A 2/1929 Chandlee
- 1,799,621 A 4/1931 Shaw
- 1,820,555 A 8/1931 Buscham
- 1,881,120 A 10/1932 Fessler et al.
- 1,966,323 A 7/1934 Von Elm
- 2,016,558 A 10/1935 Redrup
- 2,195,033 A 3/1940 Lehman
- 2,216,279 A 10/1940 Packer
- 2,246,975 A 6/1941 Geibel
- D138,755 S * 9/1944 Benton D34/1
- 2,563,456 A 8/1951 Brownell
- 2,910,206 A 10/1959 Hodgson

(57) **CLAIM**

An ornamental design for a trash can, as shown and described.

DESCRIPTION

FIG. 1 is a perspective view of the trash can according to the present invention;

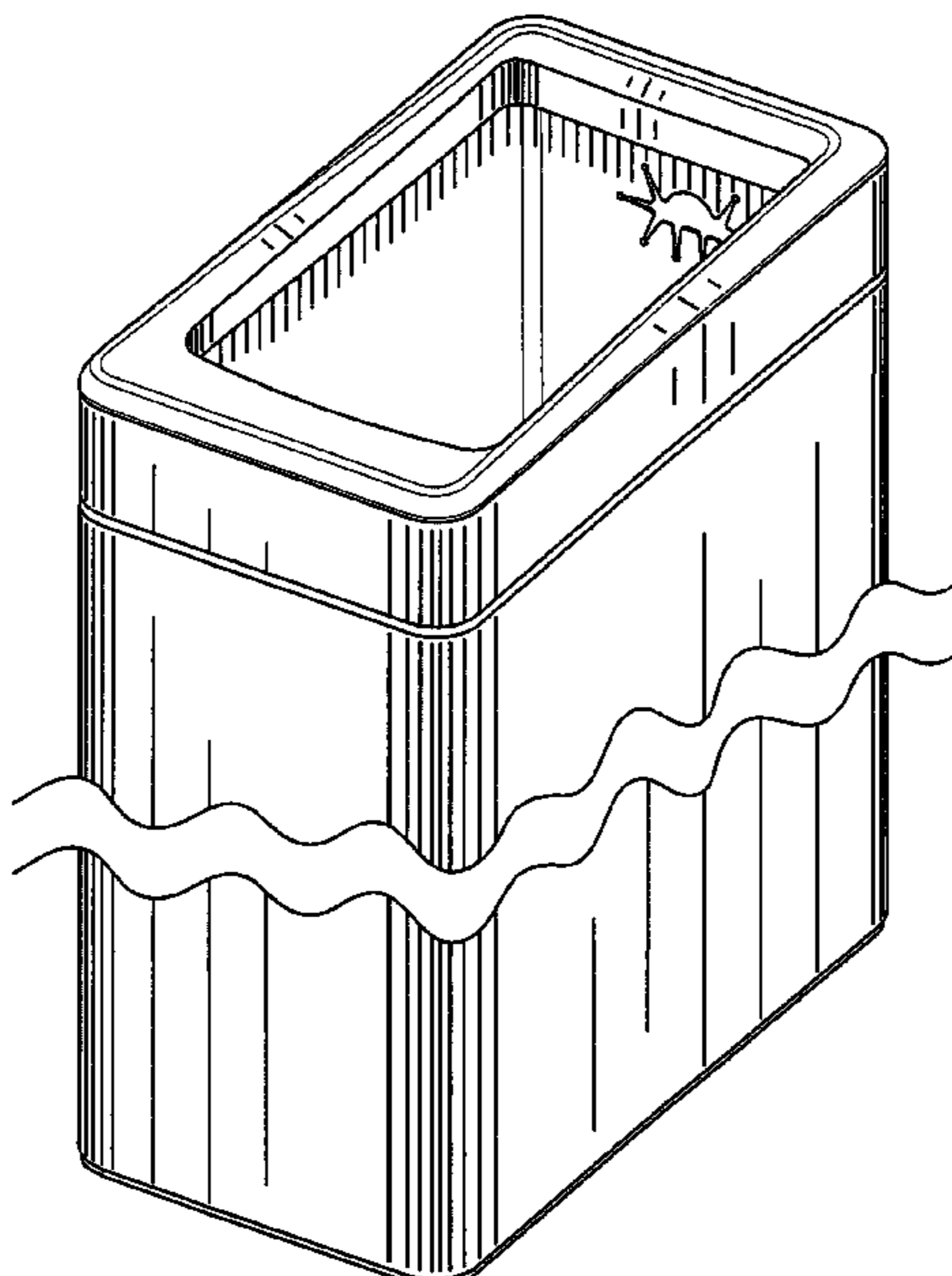
FIG. 2 is a top plan view thereof;

FIG. 3 is a front plan view thereof, the rear plan view being symmetrical; and,

FIG. 4 is a left side view thereof, the right side being symmetrical.

The wavy lines on the body of the trash can is to indicate that no specific height is being claimed.

1 Claim, 4 Drawing Sheets



US D585,618 S

Page 2

U.S. PATENT DOCUMENTS							
5,249,693	A	10/1993	Gillispie et al.	6,626,316	B2	9/2003	Yang
D355,060	S	1/1995	Bernstein et al.	D481,187	S	10/2003	Sofy et al.
D355,740	S	2/1995	Kirchner	D481,508	S	10/2003	Wang
D360,062	S	7/1995	Mosior	D482,169	S	11/2003	Lin
D362,525	S	* 9/1995	Kruger D34/1	D482,832	S	11/2003	Lin
5,531,348	A	7/1996	Baker et al.	D482,833	S	11/2003	Lin
D376,456	S	* 12/1996	Presnell et al. D34/1	D488,604	S	4/2004	Yang et al.
D380,114	S	6/1997	Albright	D488,902	S	4/2004	Yang et al.
D381,784	S	7/1997	Keller et al.	D489,856	S	5/2004	Yang et al.
5,842,595	A	12/1998	Williams	D489,857	S	5/2004	Yang et al.
D435,951	S	1/2001	Yang et al.	D490,583	S	5/2004	Yang et al.
D447,611	S	9/2001	Lin	D491,706	S	6/2004	Yang et al.
D448,133	S	* 9/2001	Windle D34/1	D503,021	S	3/2005	Yang et al.
D450,901	S	11/2001	Lin	D507,090	S	7/2005	Yang et al.
D452,356	S	12/2001	Zimmerman	7,033,039	B2	4/2006	Lin
D453,252	S	1/2002	Lin	D521,203	S	* 5/2006	Sofy et al. D34/1
D453,600	S	2/2002	Lin	D522,203	S	5/2006	Lin
D453,870	S	2/2002	Lin	D525,406	S	7/2006	Wang et al.
D454,239	S	3/2002	Lin	D525,756	S	7/2006	Yang et al.
6,386,386	B1	5/2002	George	D525,757	S	7/2006	Lin
D465,630	S	11/2002	Lin	D527,156	S	8/2006	Lin
D465,893	S	11/2002	Lin	7,086,550	B2	8/2006	Yang et al.
D470,639	S	2/2003	Quan	D528,726	S	9/2006	Lin
D472,688	S	4/2003	Lin	D550,917	S	* 9/2007	Yang et al. D34/9
D476,460	S	6/2003	Lin	D555,317	S	* 11/2007	Yang et al. D34/1
D480,193	S	9/2003	Wang	D566,365	S	* 4/2008	Wentz et al. D34/1
				D568,572	S	* 5/2008	Yang et al. D34/10

* cited by examiner

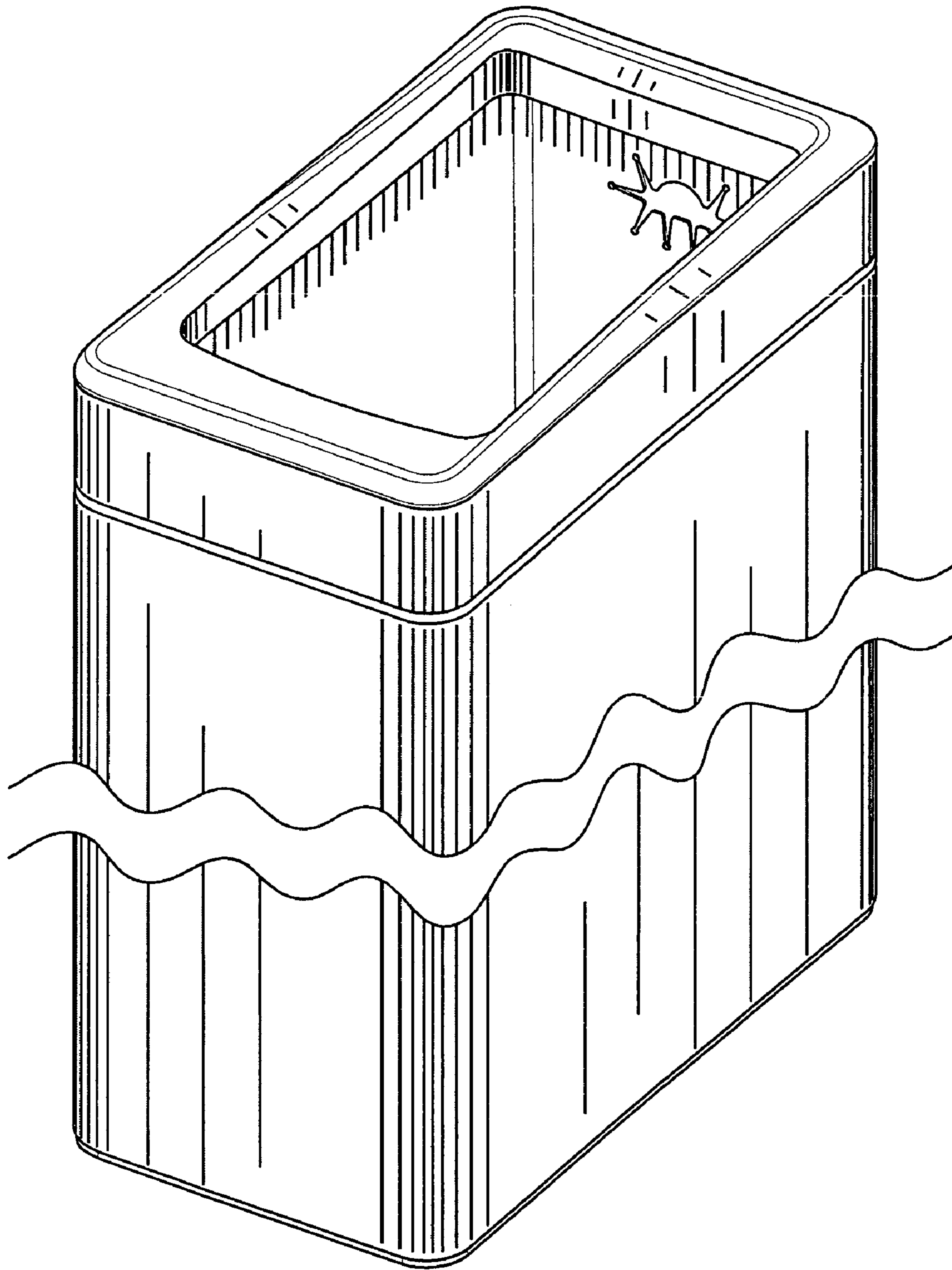


FIG. 1

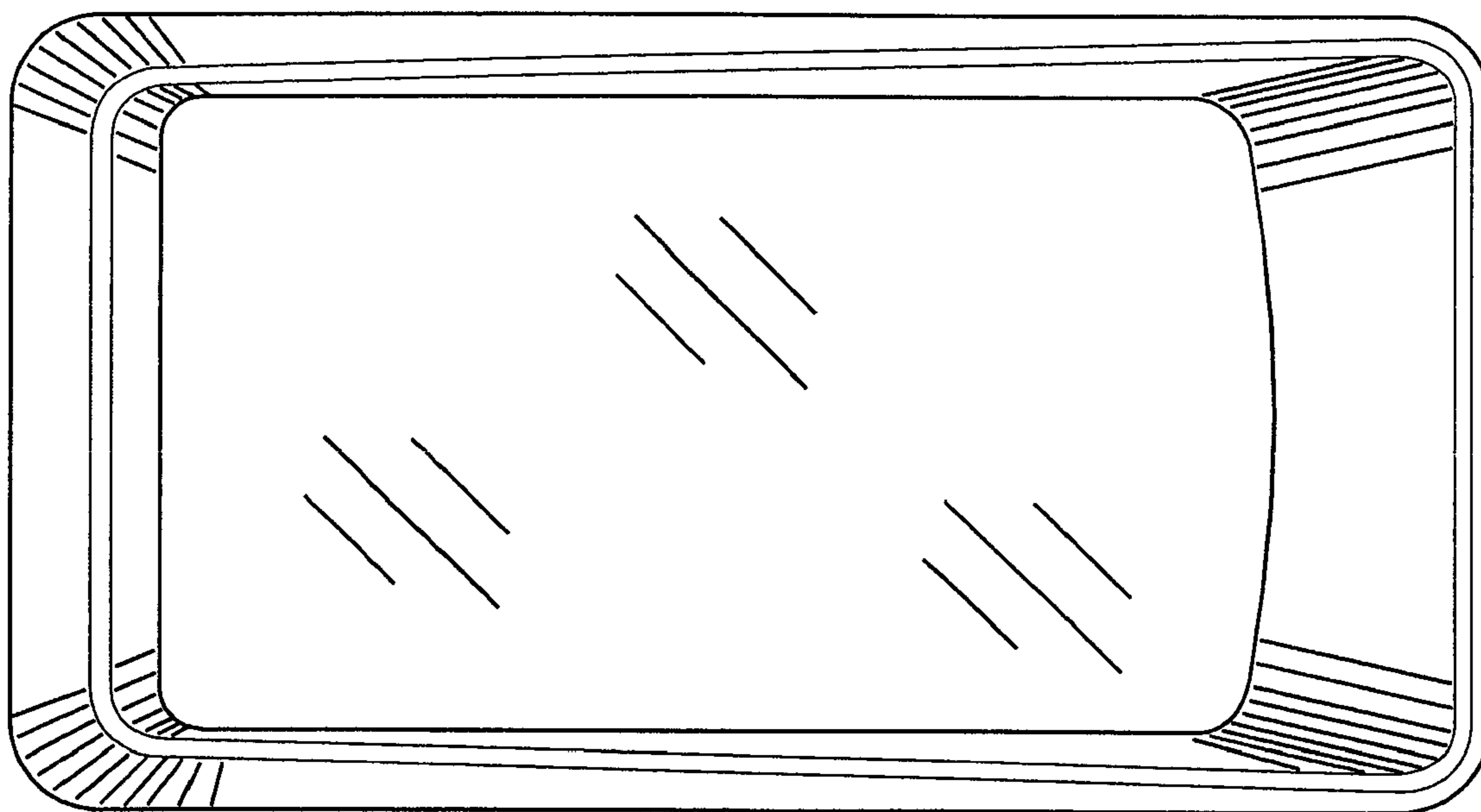


FIG. 2

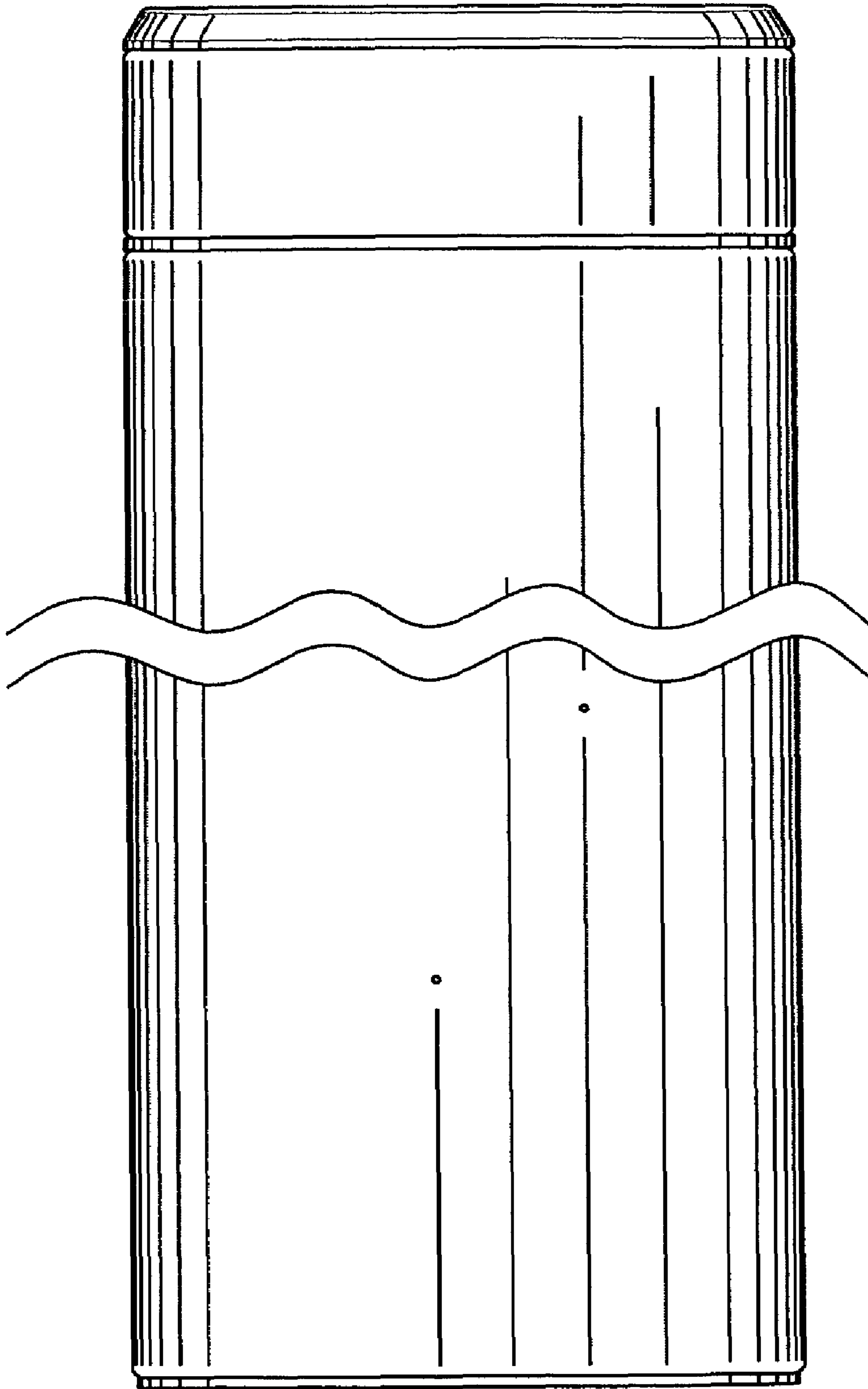


FIG. 3

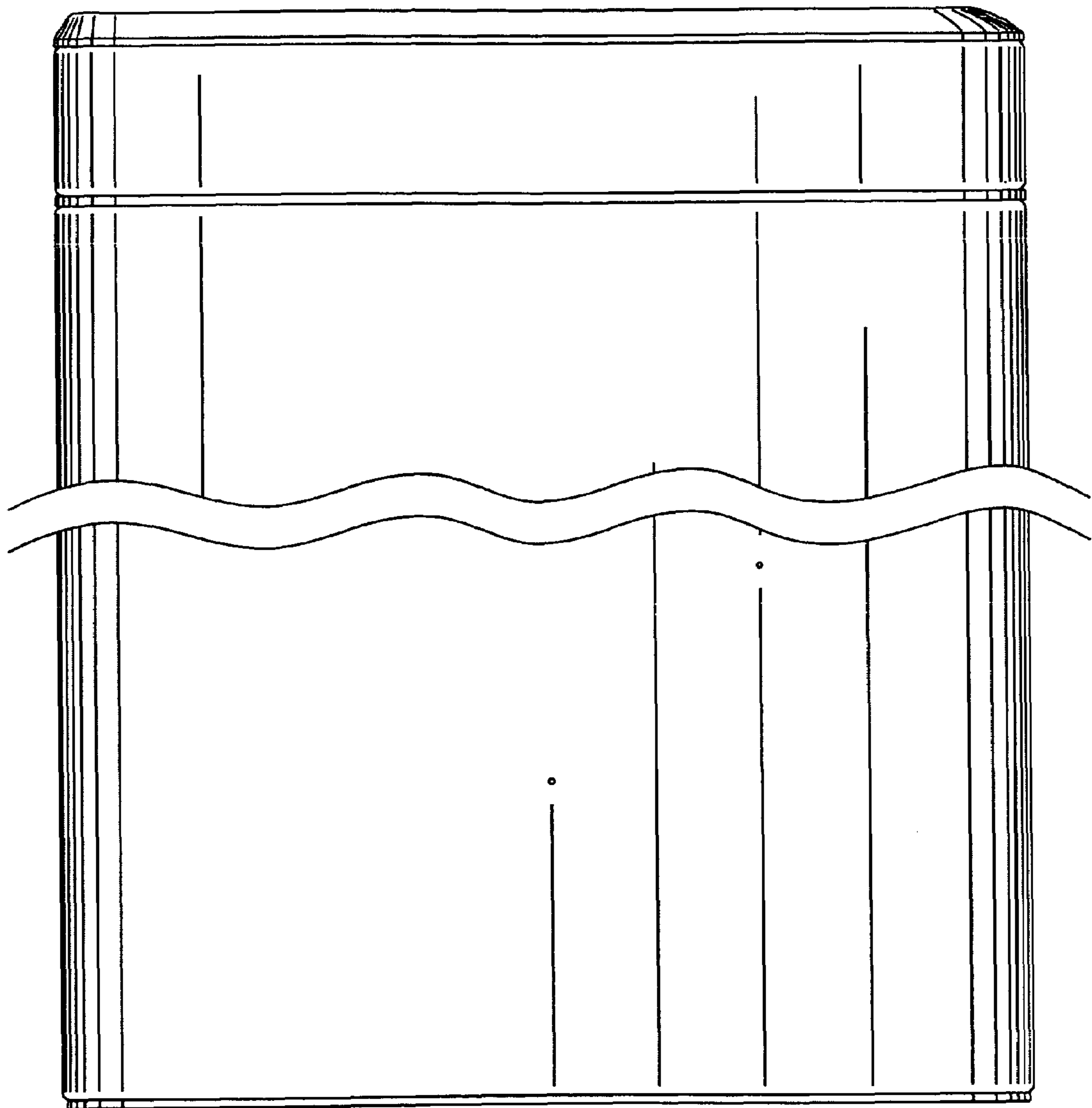


FIG. 4