



US00D585616S

(12) **United States Design Patent**
Libman et al.

(10) **Patent No.:** **US D585,616 S**
(45) **Date of Patent:** **** Jan. 27, 2009**

(54) **PORTION OF A CLEANING IMPLEMENT**

6,920,664 B2 * 7/2005 Libman et al. 15/120.1
D532,569 S * 11/2006 Libman et al. D32/50

(75) Inventors: **Robert J. Libman**, Arcola, IL (US);
Enzo Berti, Pianiga (IT)

* cited by examiner

(73) Assignee: **The Libman Company**, Arcola, IL (US)

Primary Examiner—Pamela J Burgess

(74) *Attorney, Agent, or Firm*—Banner & Witcoff, Ltd.

(**) Term: **14 Years**

(57) **CLAIM**

(21) Appl. No.: **29/298,449**

The ornamental design for a portion of a cleaning implement,
as shown and described.

(22) Filed: **Dec. 5, 2007**

(51) **LOC (9) Cl.** **04-01**

(52) **U.S. Cl.** **D32/51**

(58) **Field of Classification Search** D32/50–52,
D32/40, 44; 473/301–302; 15/143.1, 119.2,
15/120.1, 116.1–116.2, 150, 209.1–210.1,
15/228, 231, 244.1–244.4, 144.1; 401/137–140
See application file for complete search history.

DESCRIPTION

FIG. 1 is a front right perspective view of a portion of a
cleaning implement showing our new design;

FIG. 2 is a front view thereof;

FIG. 3 is a rear view thereof;

FIG. 4 is a left side view thereof;

FIG. 5 is a right side view thereof;

FIG. 6 is a bottom view thereof; and,

FIG. 7 is a top view thereof.

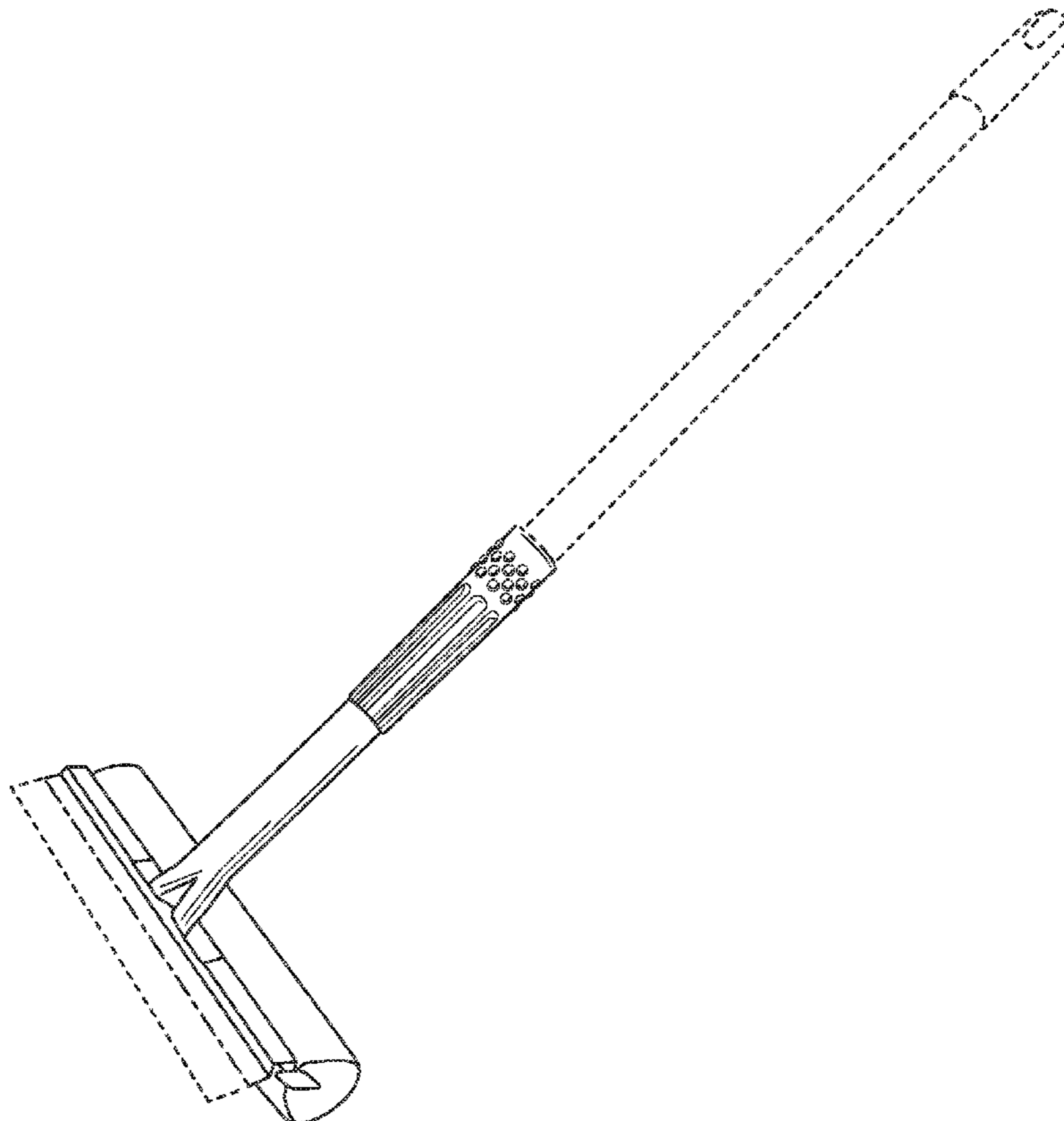
The dash-dot-dash broken lines immediately adjacent to the
shaded areas represent unclaimed boundaries of the claimed
design. The dotted broken lines are for illustrative purposes
only and form no part of the claimed design.

(56) **References Cited**

U.S. PATENT DOCUMENTS

2,046,164	A *	6/1936	Herkner	473/302
2,961,676	A *	11/1960	Michaels et al.	15/119.2
4,308,762	A *	1/1982	Jannard	74/551.9
5,509,163	A *	4/1996	Morad	15/120.2
D411,780	S *	7/1999	Muller	D7/393
6,115,869	A *	9/2000	Libman	15/120.1
D506,050	S *	6/2005	Lalanne et al.	D32/45

1 Claim, 7 Drawing Sheets



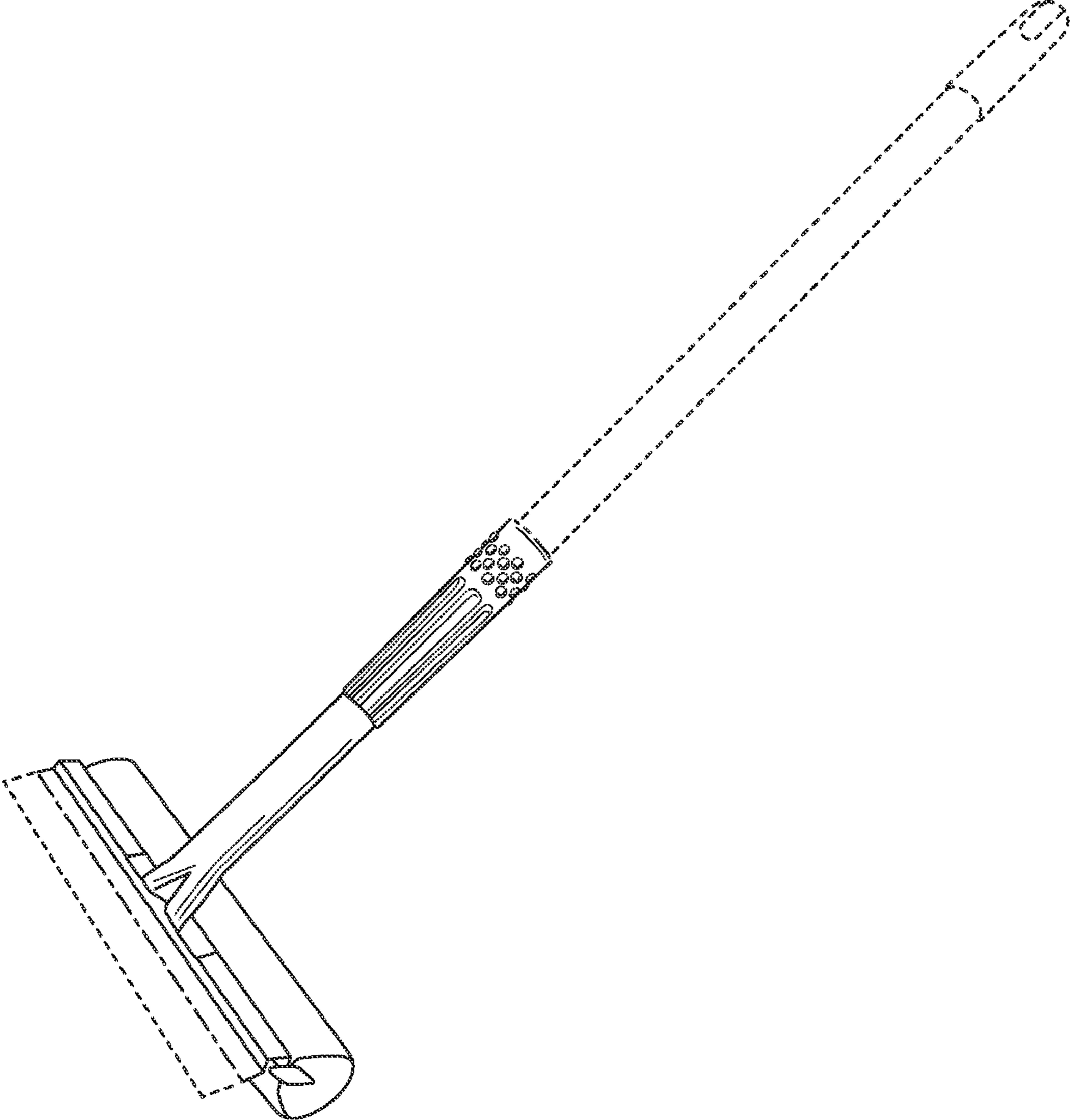


FIG. 1

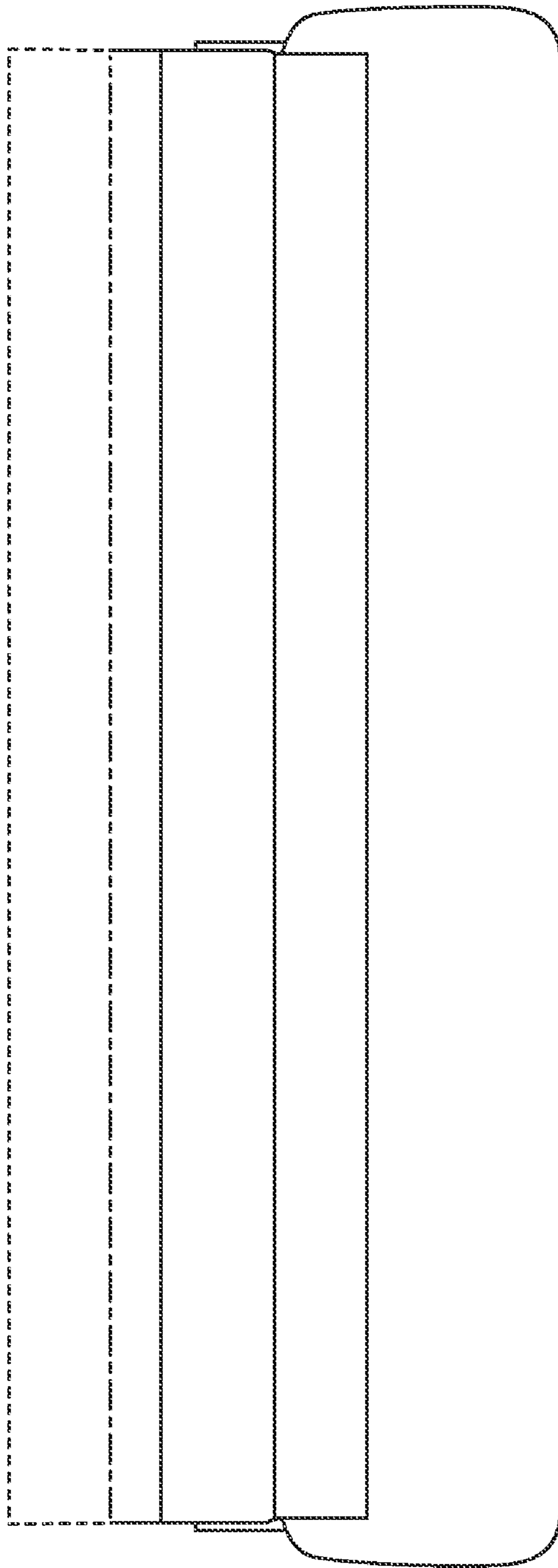


FIG. 2

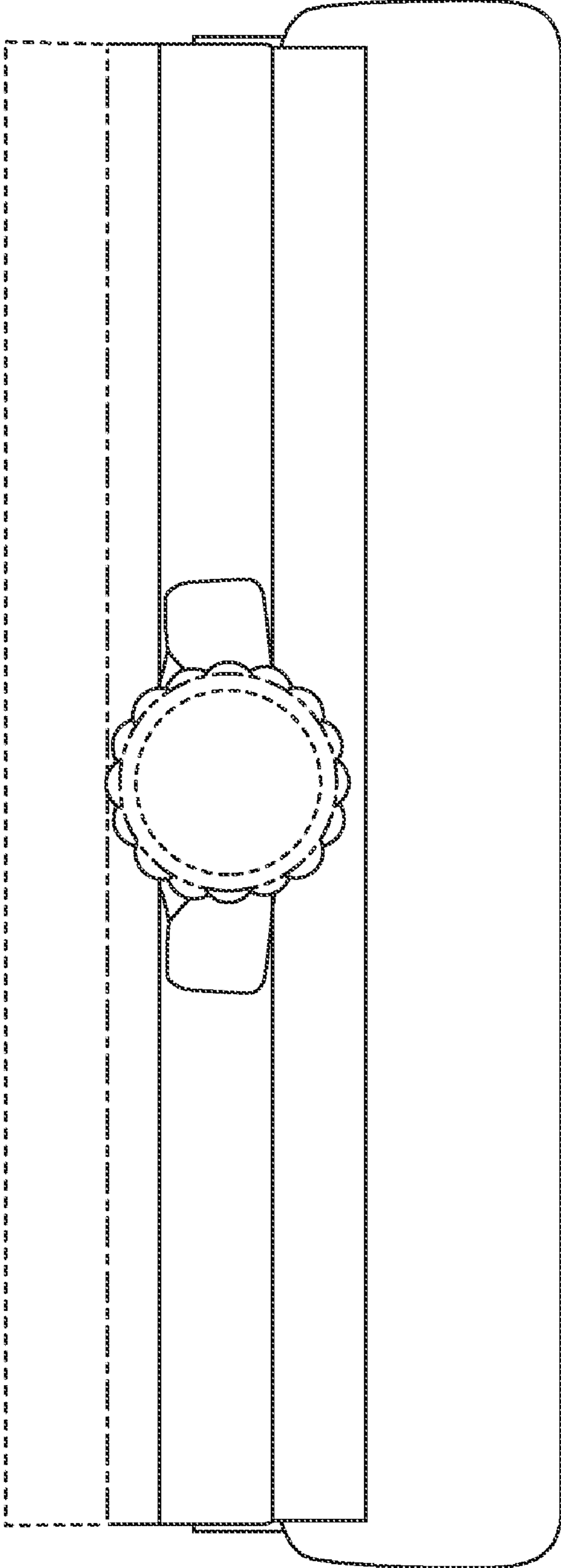


FIG. 3

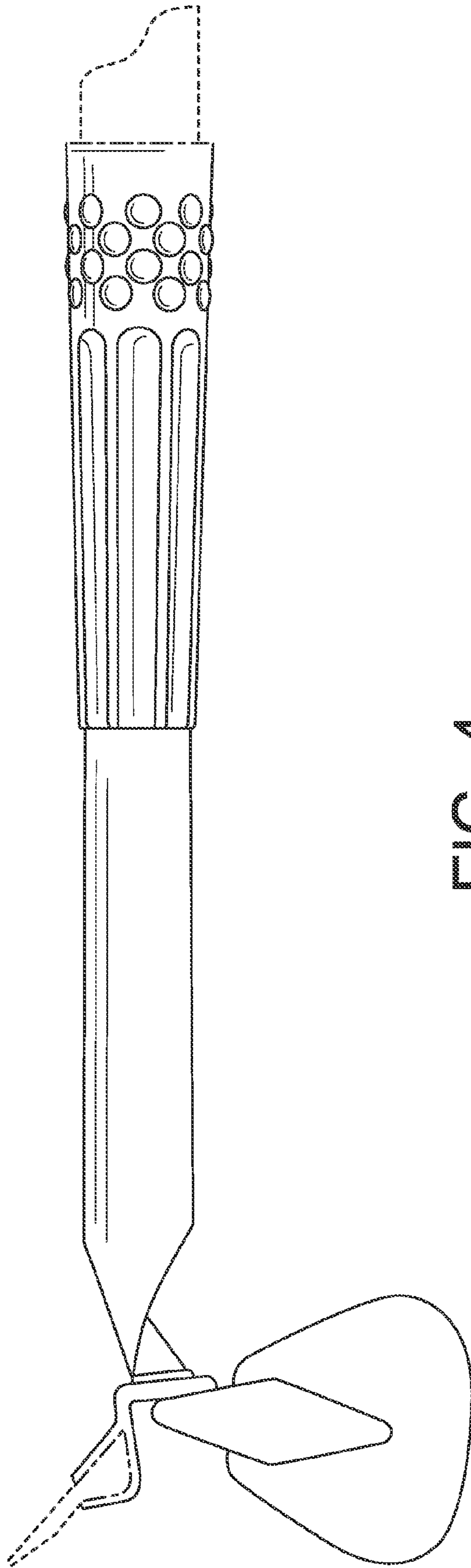


FIG. 4

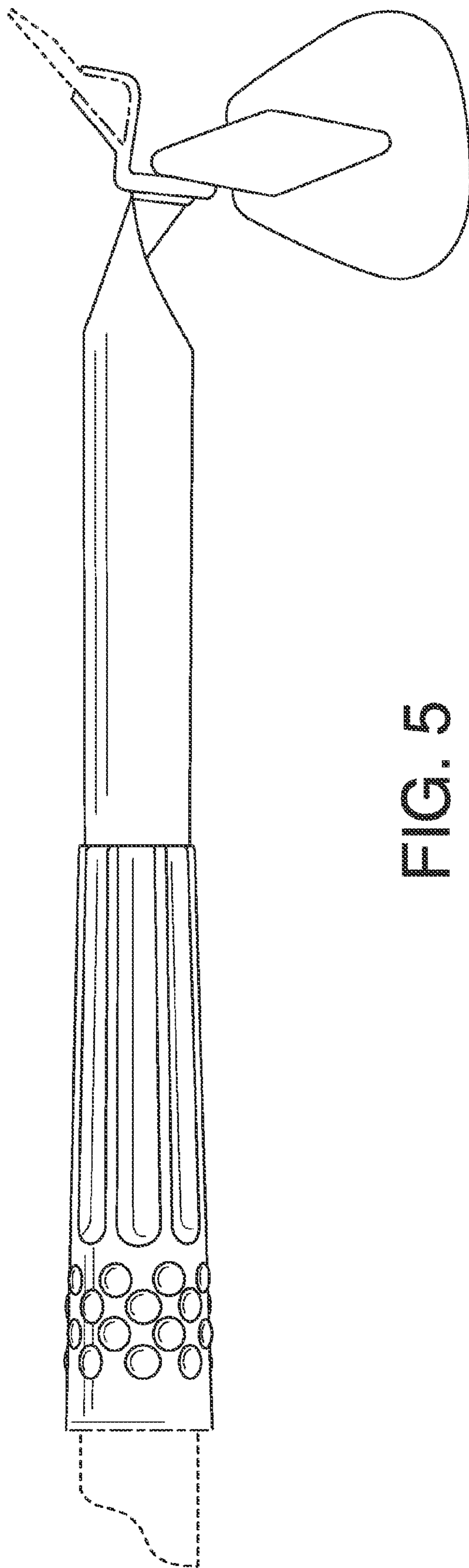


FIG. 5

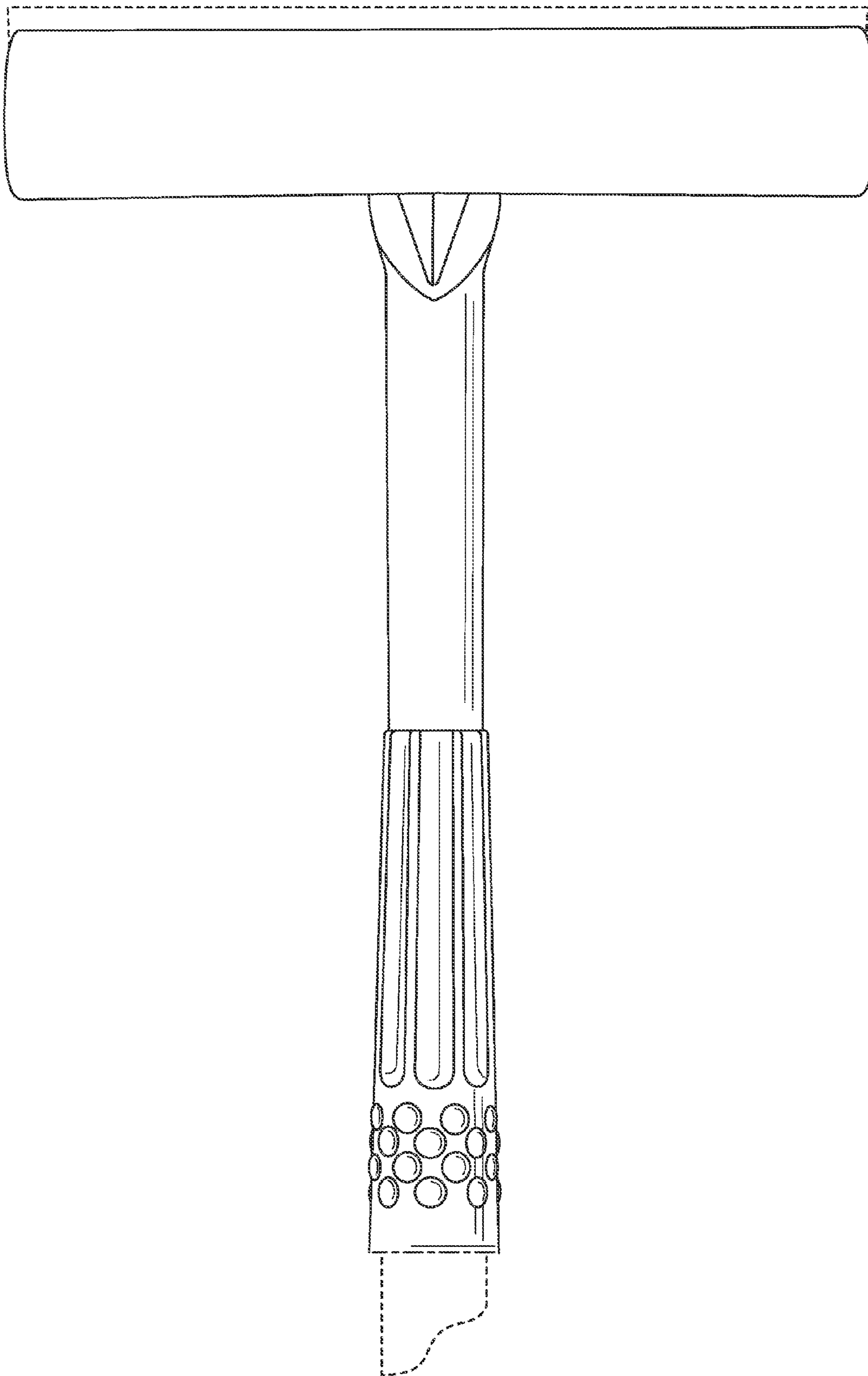


FIG. 6

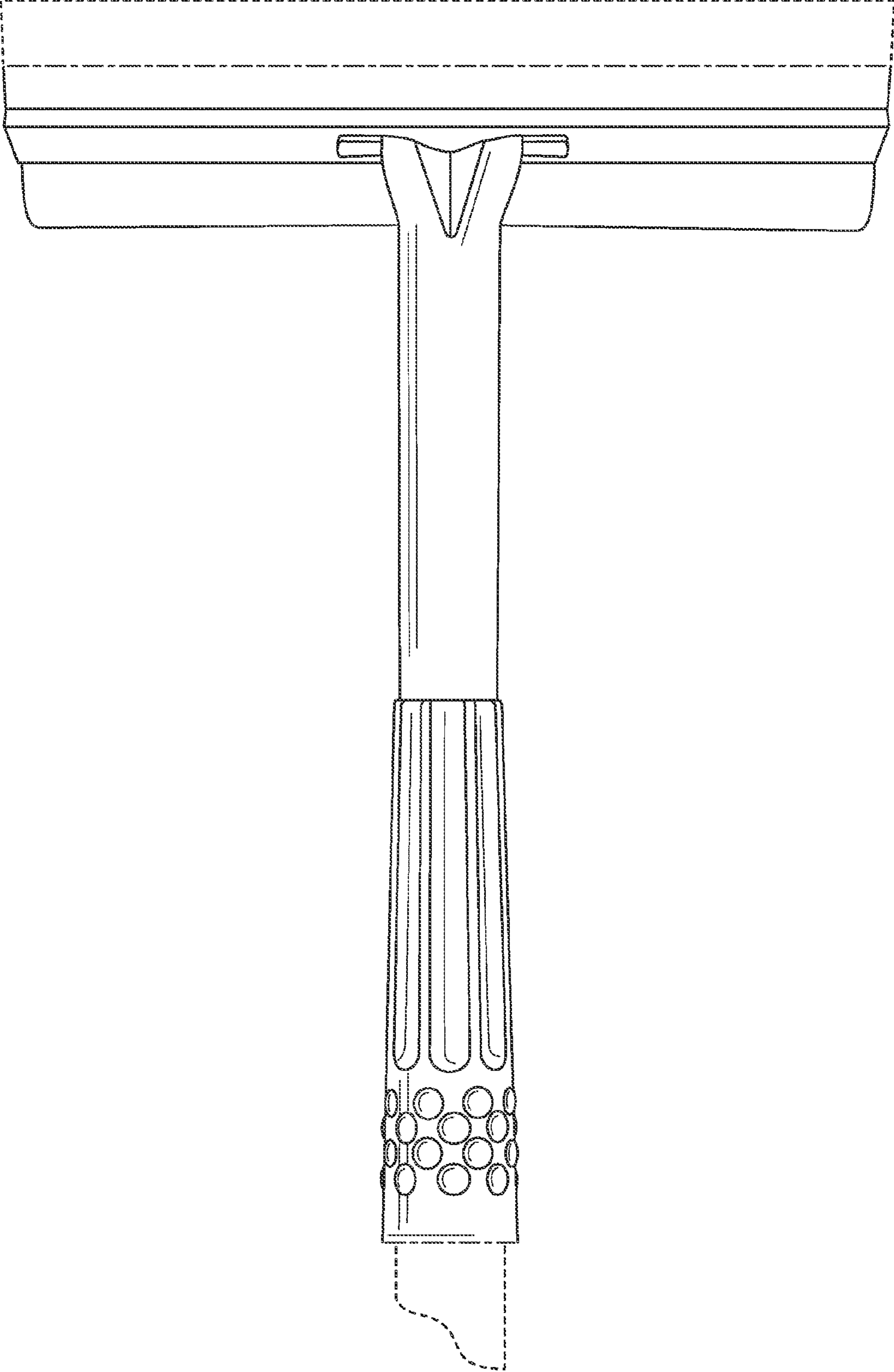


FIG. 7