



US00D585615S

(12) **United States Design Patent**  
**Şenyuva**

(10) **Patent No.:** **US D585,615 S**  
(45) **Date of Patent:** **\*\* Jan. 27, 2009**

(54) **CLEANING BRUSH**

(75) Inventor: **Hasan Zühtü Şenyuva**, Levent-Istanbul (TR)

(73) Assignee: **Banat Firca ve Plastik Sanayi Anonim Sirketi**, Istanbul (TR)

(\*\*) Term: **14 Years**

(21) Appl. No.: **29/322,878**

(22) Filed: **Aug. 13, 2008**

(51) **LOC (9) Cl.** ..... **04-01**

(52) **U.S. Cl.** ..... **D32/50**

(58) **Field of Classification Search** ..... D32/40-45, D32/50-51; D4/137, 102, 116; 15/116.1-116.2, 15/119.2, 231, 228, 147.1-147.2, 150, 209.1, 15/210.1; 401/137, 140

See application file for complete search history.

(56) **References Cited**

**U.S. PATENT DOCUMENTS**

1,694,983 A \* 12/1928 Schaedel ..... 15/210.1  
2,163,638 A \* 6/1939 Vaughn ..... 15/244.1  
D144,222 S \* 3/1946 Snyder et al. .... D32/38  
D154,297 S \* 6/1949 Mock et al. .... D32/38

2,636,204 A \* 4/1953 Soss ..... 401/263  
D249,821 S \* 10/1978 Cooke et al. .... D4/199  
D287,173 S \* 12/1986 Libman ..... D32/51  
5,426,809 A \* 6/1995 Muta ..... 15/228  
D391,715 S \* 3/1998 Irwin et al. .... D32/50  
D458,427 S \* 6/2002 Kunkler et al. .... D32/45  
D563,068 S \* 2/2008 Jiang et al. .... D32/50

\* cited by examiner

*Primary Examiner*—Pamela J Burgess

(74) *Attorney, Agent, or Firm*—Egbert Law Offices PLLC

(57) **CLAIM**

The ornamental design for a cleaning brush, as shown and described.

**DESCRIPTION**

FIG. 1 is a top view of the cleaning brush showing my design;

FIG. 2 is a front view thereof;

FIG. 3 is a rear view thereof;

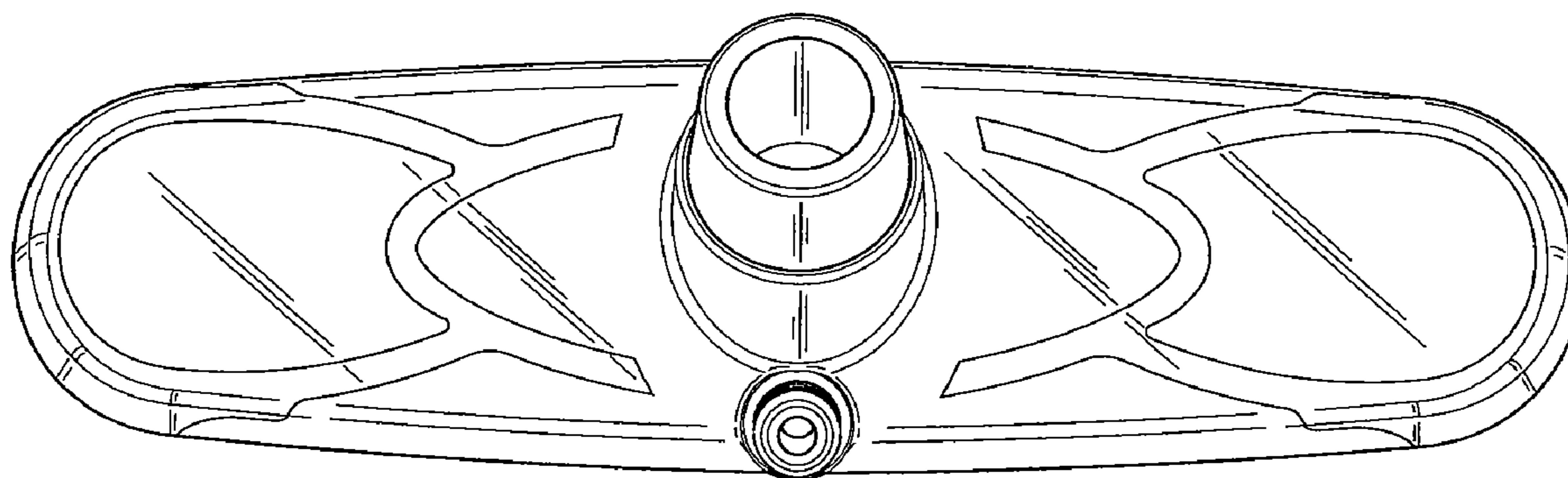
FIG. 4 is a bottom view thereof;

FIG. 5 is a side view thereof;

FIG. 6 is an opposite side view thereof; and,

FIG. 7 is an upper perspective view thereof.

**1 Claim, 2 Drawing Sheets**



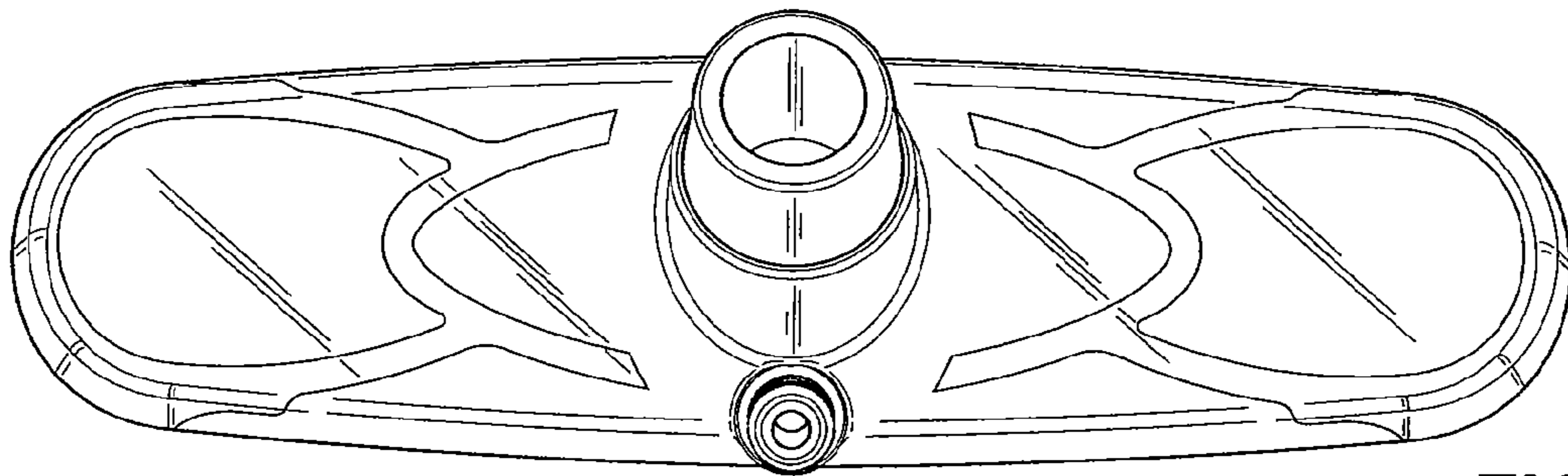


FIG.1

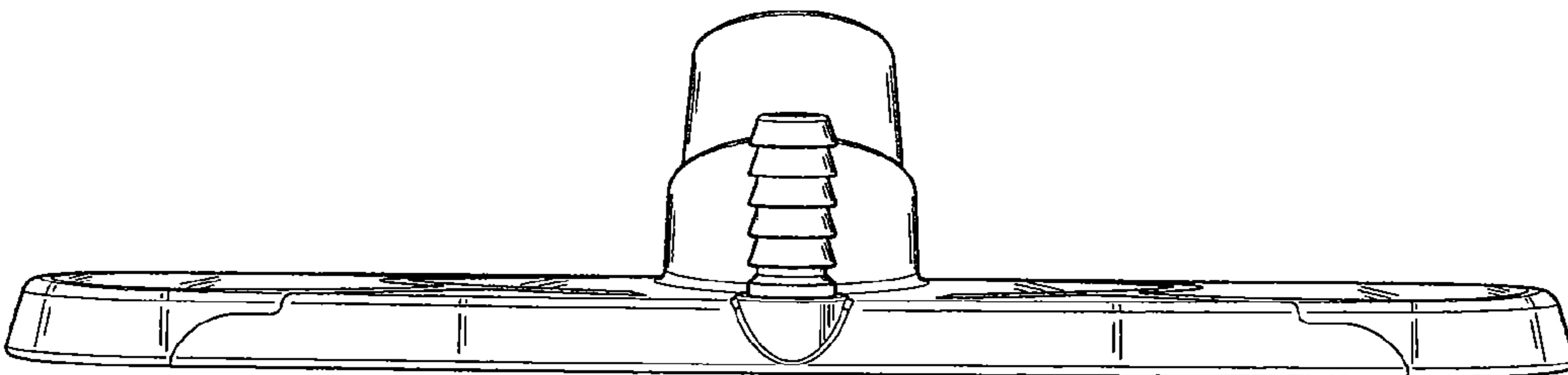


FIG.2

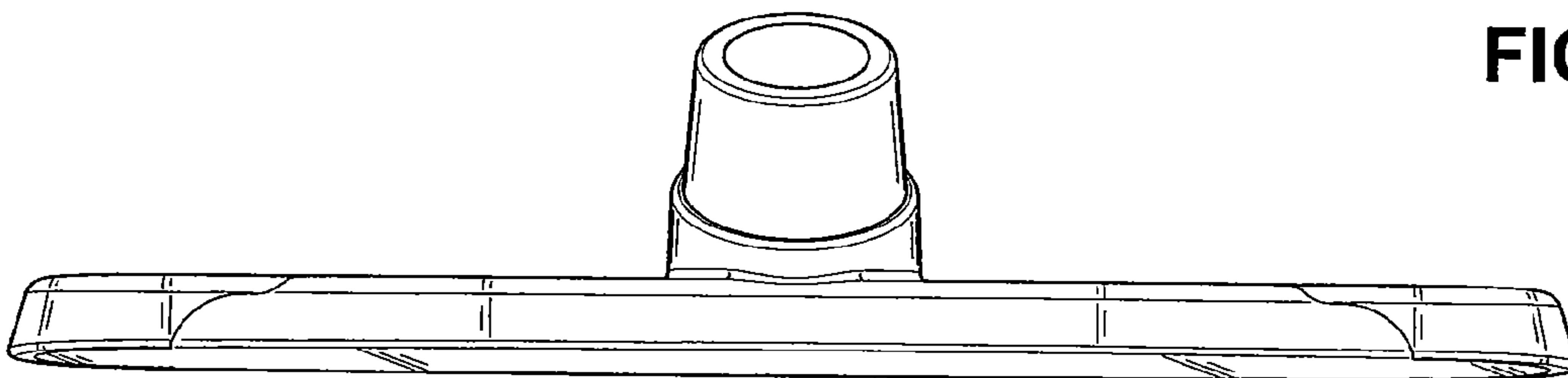


FIG.3

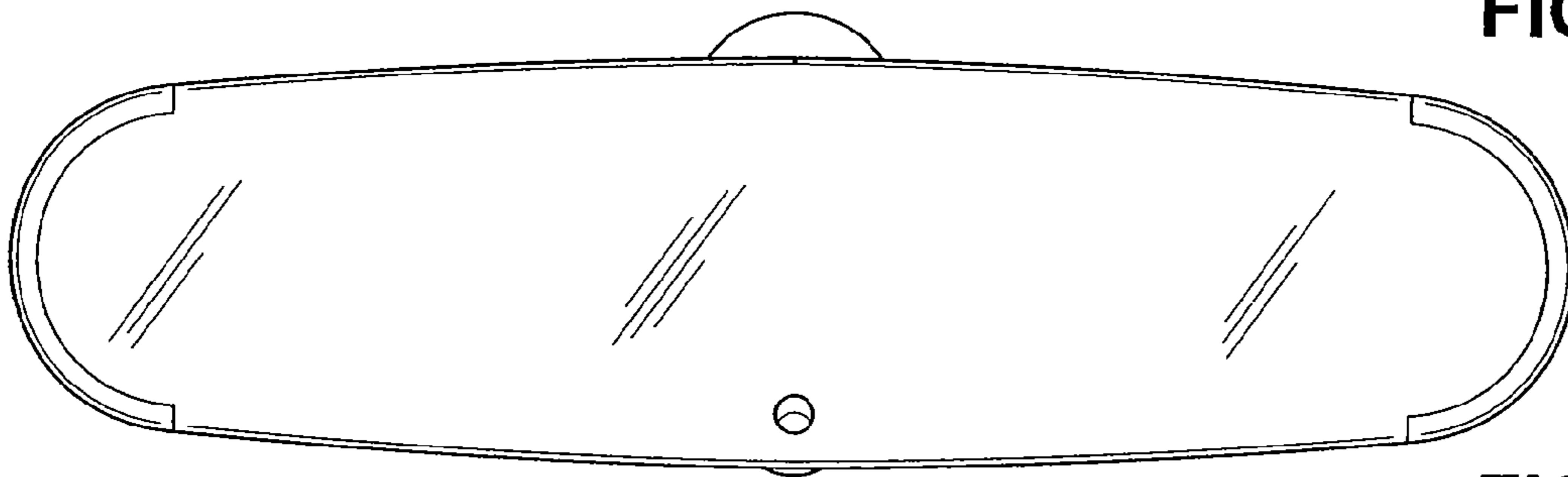


FIG.4

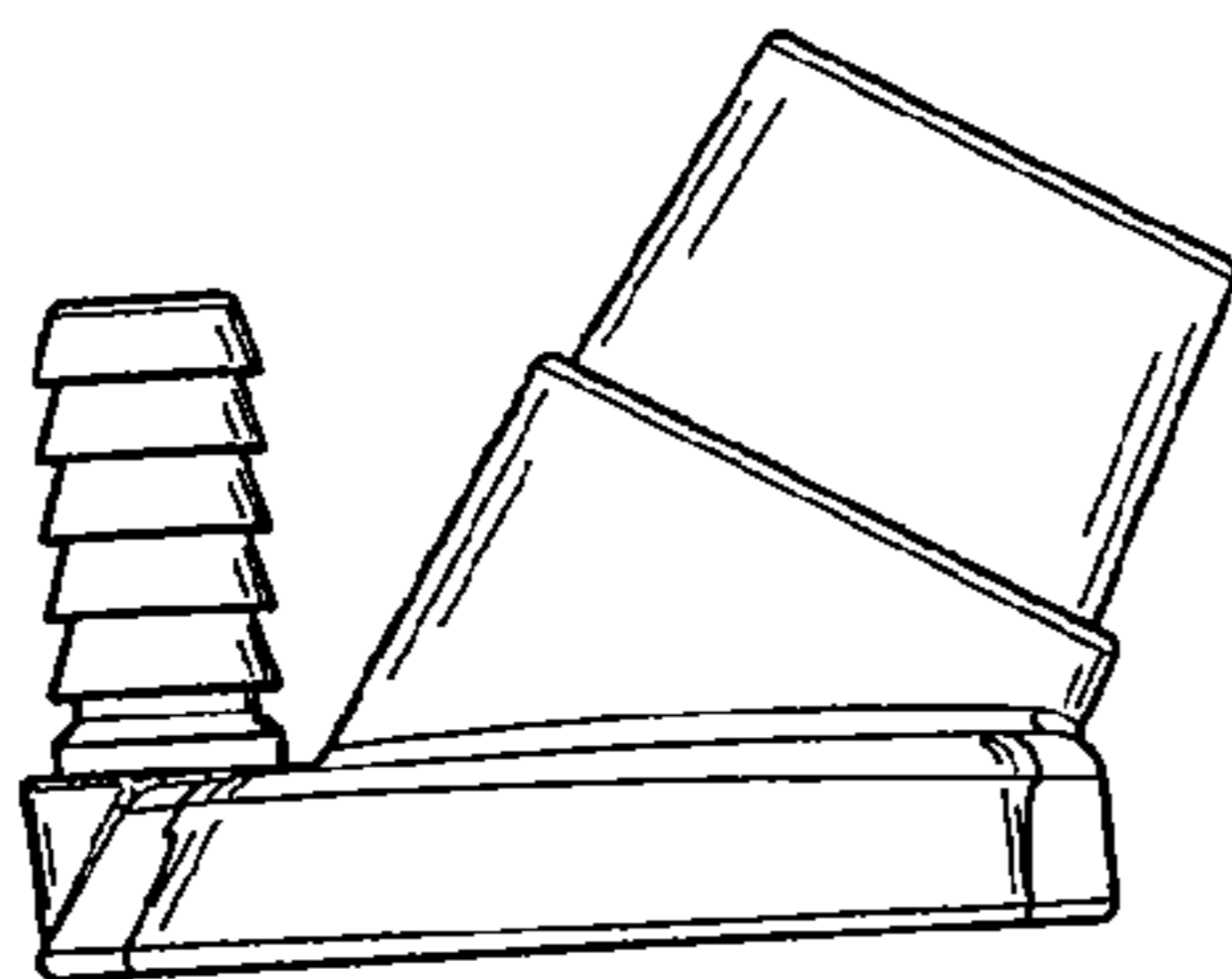


FIG.5

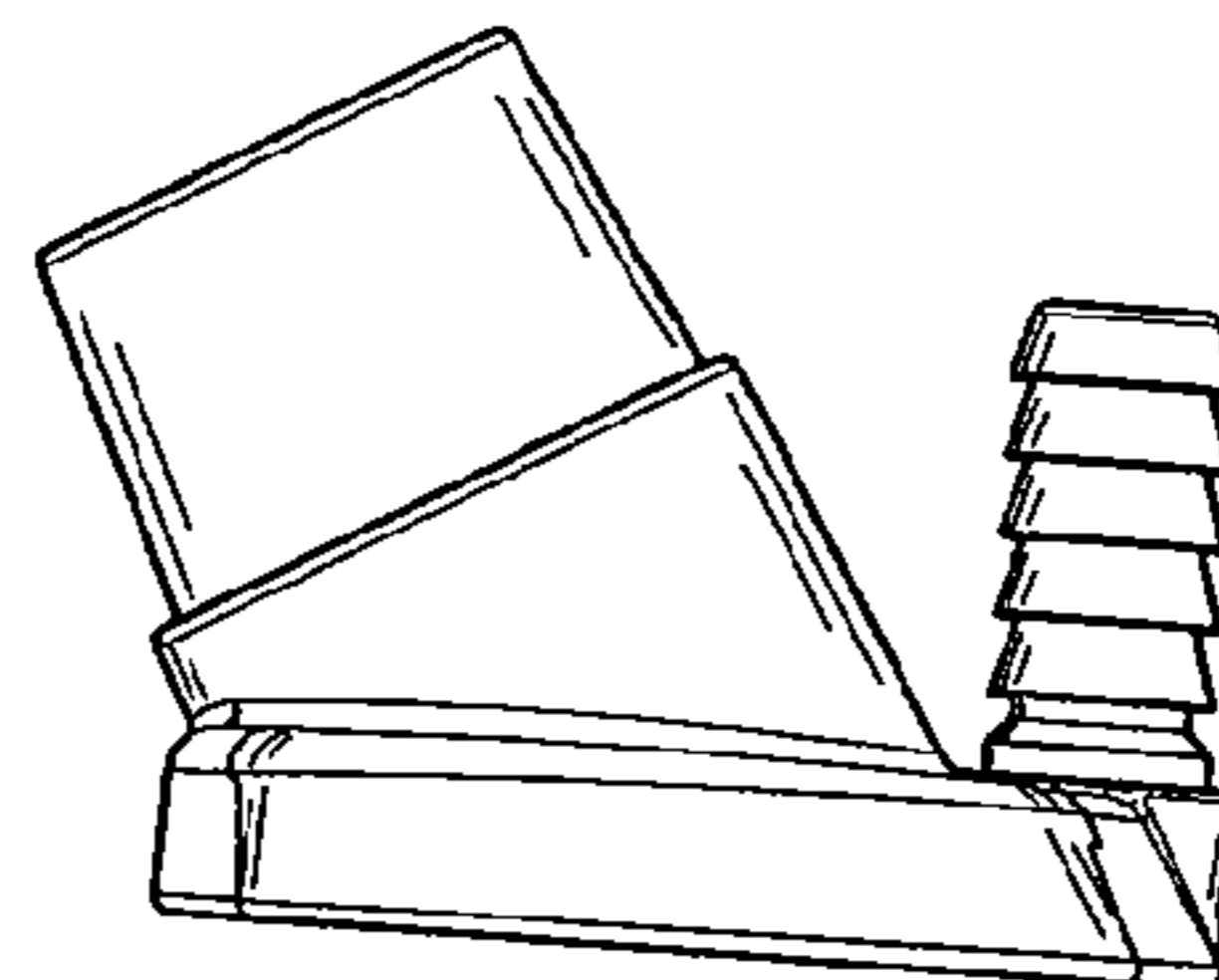
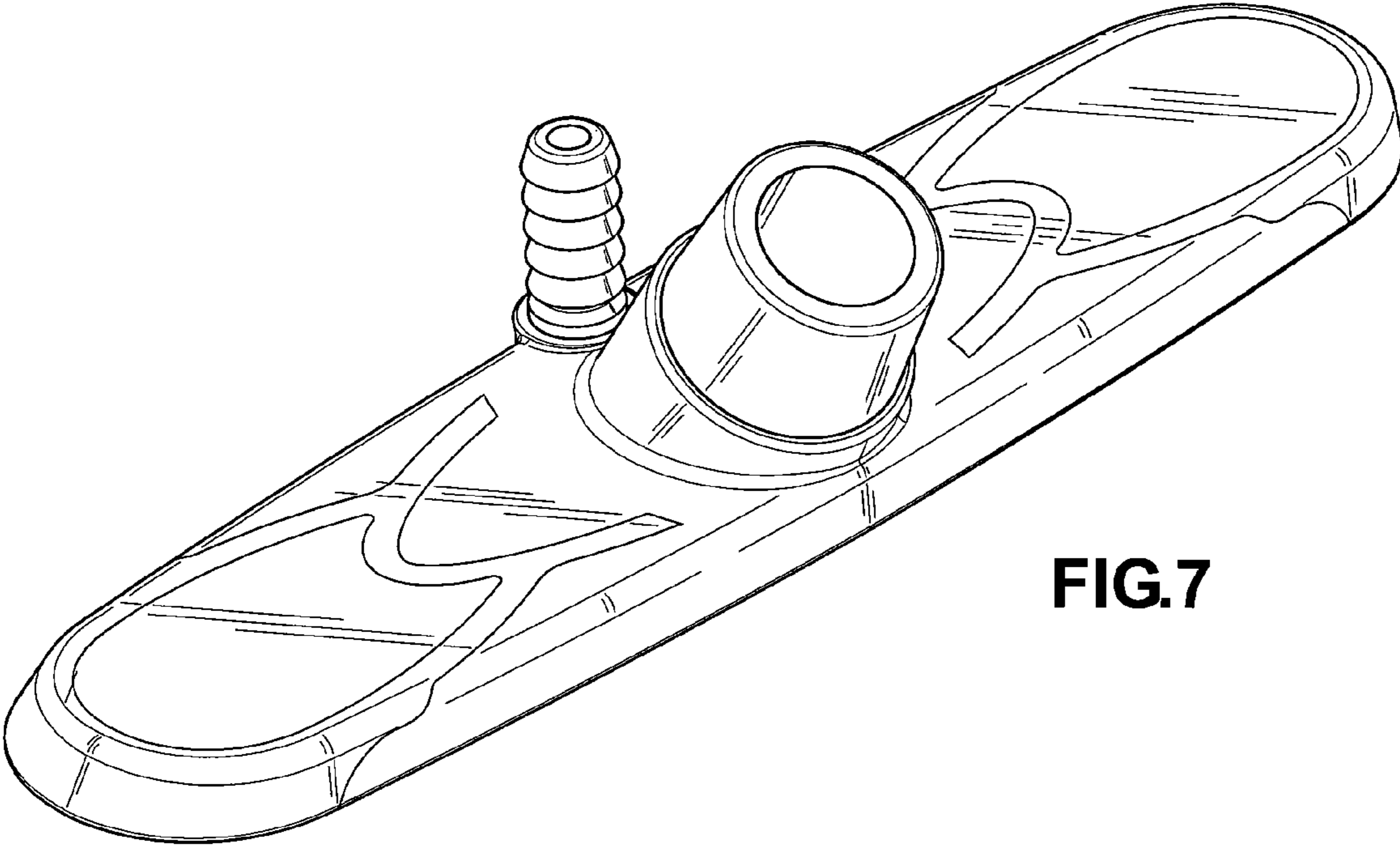


FIG.6



**FIG.7**